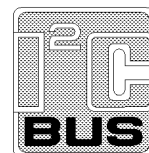


128 × 8-bit EEPROM with I²C-bus interface**PCA8581; PCA8581C****CONTENTS**

| | |
|--------|---|
| 1 | FEATURES |
| 2 | GENERAL DESCRIPTION |
| 3 | QUICK REFERENCE DATA |
| 4 | ORDERING INFORMATION |
| 5 | BLOCK DIAGRAM |
| 6 | PINNING |
| 7 | CHARACTERISTICS OF THE I ² C-BUS |
| 7.1 | Bit transfer |
| 7.2 | Start and stop conditions |
| 7.3 | System configuration |
| 7.4 | Acknowledge |
| 7.5 | I ² C-bus protocol |
| 8 | LIMITING VALUES |
| 9 | HANDLING |
| 10 | DC CHARACTERISTICS |
| 11 | AC CHARACTERISTICS |
| 12 | APPLICATION INFORMATION |
| 12.2 | Application example |
| 12.2 | Slave address |
| 12.3 | Diode protection |
| 13 | PACKAGE OUTLINES |
| 14 | SOLDERING |
| 14.1 | Introduction |
| 14.2 | DIP |
| 14.2.1 | Soldering by dipping or by wave |
| 14.2.2 | Repairing soldered joints |
| 14.3 | SO |
| 14.3.1 | Reflow soldering |
| 14.3.2 | Wave soldering |
| 14.3.3 | Repairing soldered joints |
| 15 | DEFINITIONS |
| 16 | LIFE SUPPORT APPLICATIONS |
| 17 | PURCHASE OF PHILIPS I ² C COMPONENTS |



128 × 8-bit EEPROM with I²C-bus interface

PCA8581; PCA8581C

1 FEATURES

- Operating supply voltage:
 - 4.5 to 5.5 V (PCA8581)
 - 2.5 to 6.0 V (PCA8581C)
- Integrated voltage multiplier and timer for writing (no external components required)
- Automatic erase before write
- Low standby current; maximum 10 µA
- 8-byte page write mode
- Serial input/output bus (I²C-bus)
- Address by 3 hardware address pins
- Automatic word address incrementing
- Designed for minimum 10000 write cycles per byte
- 10 years minimum non-volatile data retention
- Infinite number of read cycles
- Pin and address compatibility to PCF8570C and PCF8582
- Operating ambient temperature: –25 to +85 °C.

2 GENERAL DESCRIPTION

The PCA8581 and PCA8581C are low power CMOS EEPROMs with standard and wide operating voltages:

4.5 to 5.5 V (PCA8581)

2.5 to 6.0 V (PCA8581C).

In the following text, the generic term 'PCA8581' is used to refer to both types in all packages except when otherwise specified.

The PCA8581 is organized as 128 words of 8-bytes.

Addresses and data are transferred serially via a two-line bidirectional bus (I²C-bus). The built-in word address register is incremented automatically after each written or read data byte. All bytes can be read in a single operation. Up to 8 bytes can be written in one operation, reducing the total write time per byte. Three address pins, A0, A1 and A2 are used to define the hardware address, allowing the use of up to 8 devices connected to the bus without additional hardware.

3 QUICK REFERENCE DATA

| SYMBOL | PARAMETER | CONDITIONS | MIN. | MAX. | UNIT |
|------------------|-------------------------------|--------------------------|------|------|------|
| V _{DD} | supply voltage | | | | |
| | PCA8581 | | 4.5 | 5.5 | V |
| | PCA8581C | | 2.5 | 6.0 | V |
| I _{DD} | supply current (standby) | f _{SCL} = 0 Hz | – | 10 | µA |
| T _{amb} | operating ambient temperature | | –25 | +85 | °C |
| T _{stg} | storage temperature | without EEPROM retention | –65 | +150 | °C |
| | | with EEPROM retention | –65 | +85 | °C |

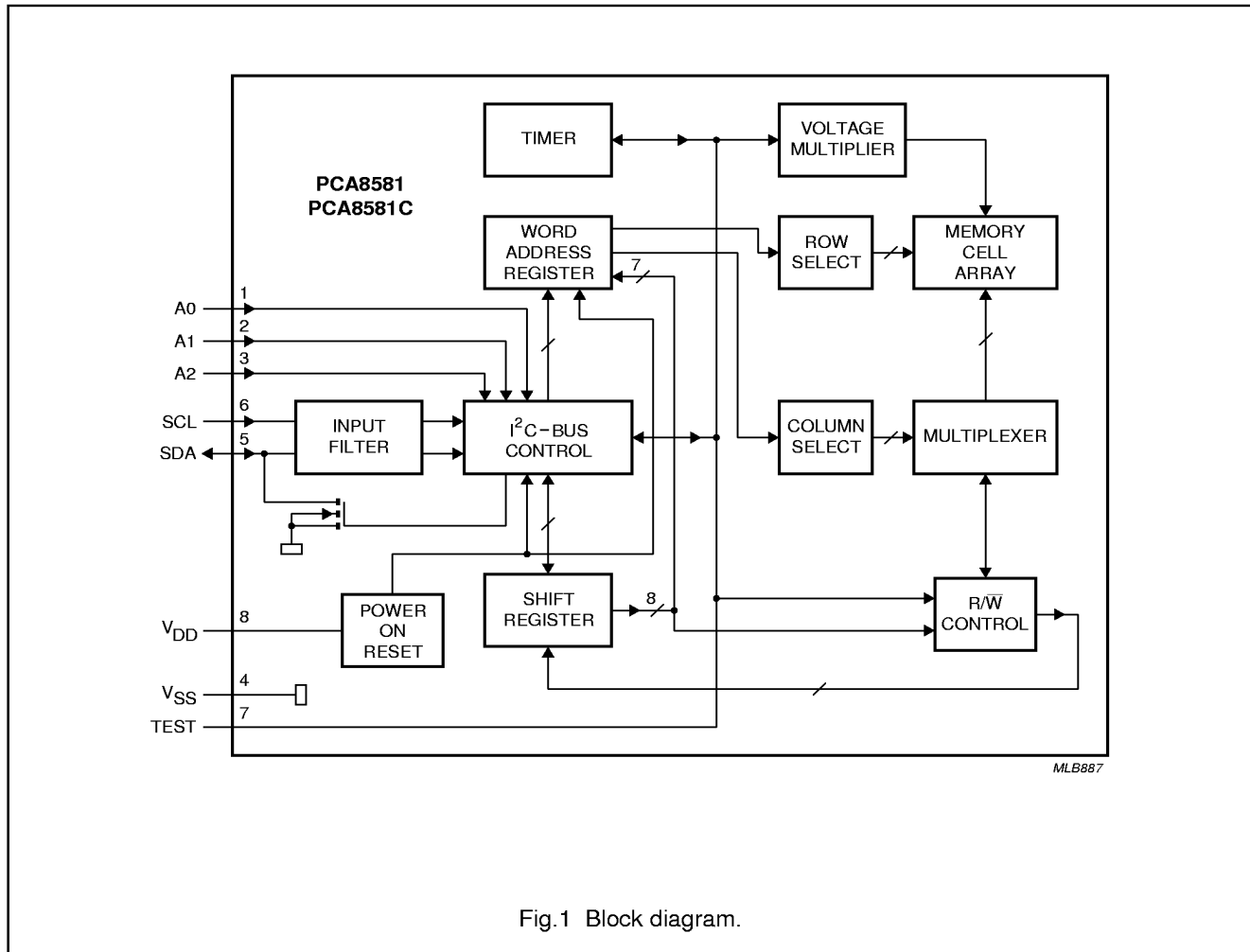
4 ORDERING INFORMATION

| TYPE NUMBER | PACKAGE | | |
|-------------|---------|---|---------|
| | NAME | DESCRIPTION | VERSION |
| PCA8581P | DIP8 | plastic dual in-line package; 8 leads (300 mil) | SOT97-1 |
| PCA8581CP | DIP8 | plastic dual in-line package; 8 leads (300 mil) | SOT97-1 |
| PCA8581T | SO8 | plastic small outline package; 8 leads; body width 3.9 mm | SOT96-1 |
| PCA8581CT | SO8 | plastic small outline package; 8 leads; body width 3.9 mm | SOT96-1 |

128 × 8-bit EEPROM with I²C-bus interface

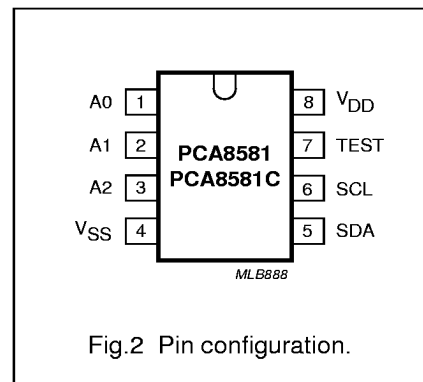
PCA8581; PCA8581C

5 BLOCK DIAGRAM



6 PINNING

| SYMBOL | PIN | DESCRIPTION |
|-----------------|-----|--|
| A0 | 1 | hardware address input 0 |
| A1 | 2 | hardware address input 1 |
| A2 | 3 | hardware address input 2 |
| V _{SS} | 4 | negative supply |
| SDA | 5 | serial data input/output |
| SCL | 6 | serial clock input |
| TEST | 7 | test output can be connected to V _{SS} , V _{DD} or left open-circuit |
| V _{DD} | 8 | positive supply |



128 × 8-bit EEPROM with I²C-bus interface

PCA8581; PCA8581C

7 CHARACTERISTICS OF THE I²C-BUS

The I²C-bus is for bidirectional, two-line communication between different ICs or modules. The two lines are a serial data line (SDA) and a serial clock line (SCL). Both lines must be connected to a positive supply via a pull-up resistor. Data transfer may be initiated only when the bus is not busy.

7.1 Bit transfer

One data bit is transferred during each clock pulse. The data on the SDA line must remain stable during the HIGH period of the clock pulse as changes in the data line at this time will be interpreted as a control signal.

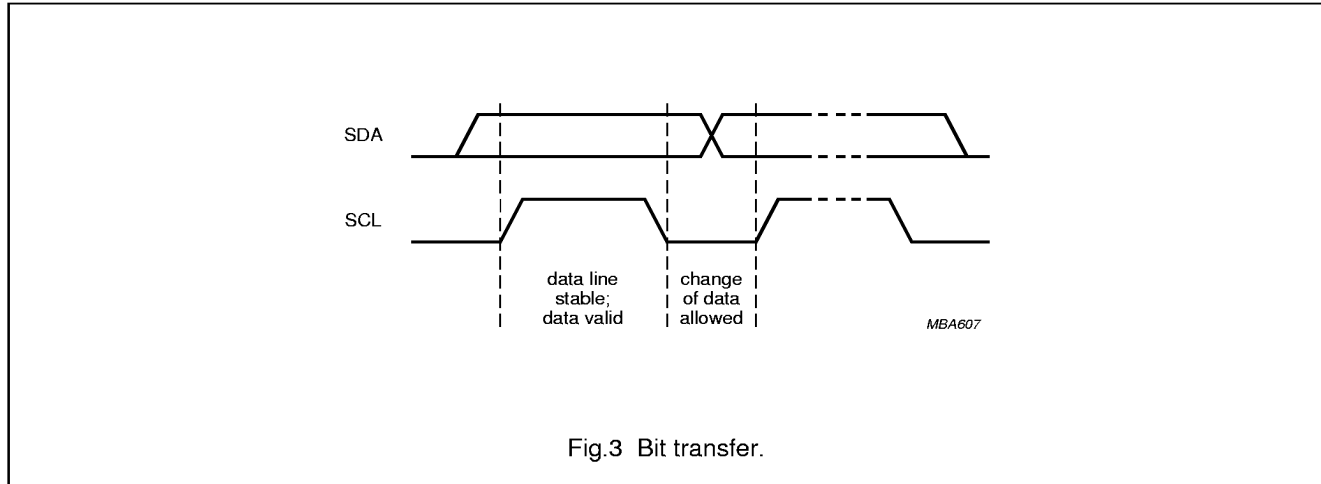


Fig.3 Bit transfer.

7.2 Start and stop conditions

Both data and clock lines remain HIGH when the bus is not busy. A HIGH-to-LOW transition of the data line, while the clock is HIGH is defined as the start condition (S). A LOW-to-HIGH transition of the data line while the clock is HIGH is defined as the stop condition (P).

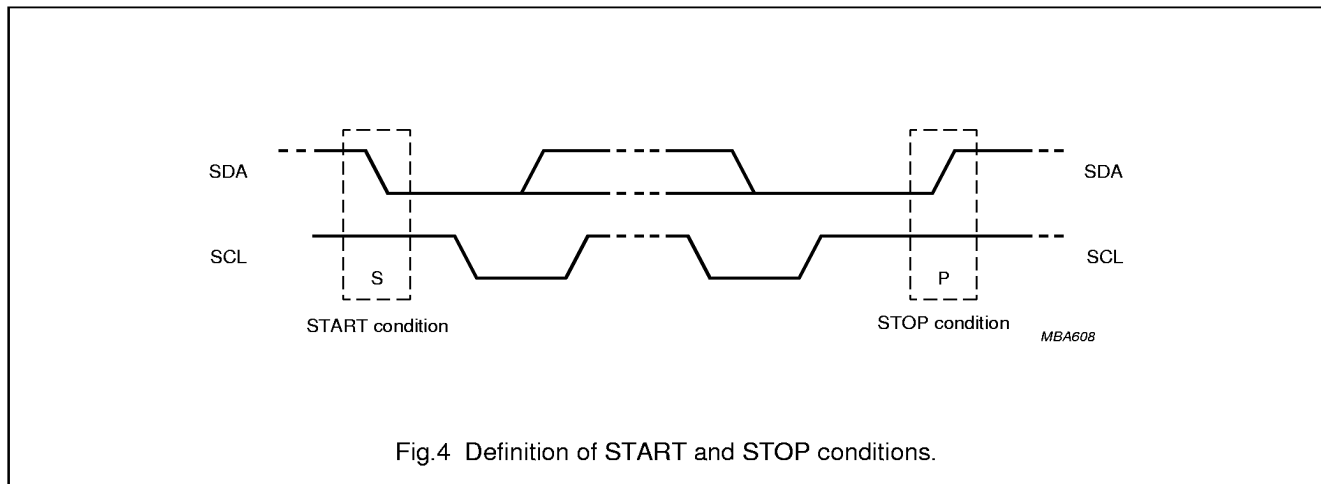


Fig.4 Definition of START and STOP conditions.

128 × 8-bit EEPROM with I²C-bus interface

PCA8581; PCA8581C

7.3 System configuration

A device generating a message is a 'transmitter', a device receiving a message is the 'receiver'. The device that controls the message is the 'master' and the devices which are controlled by the master are the 'slaves'.

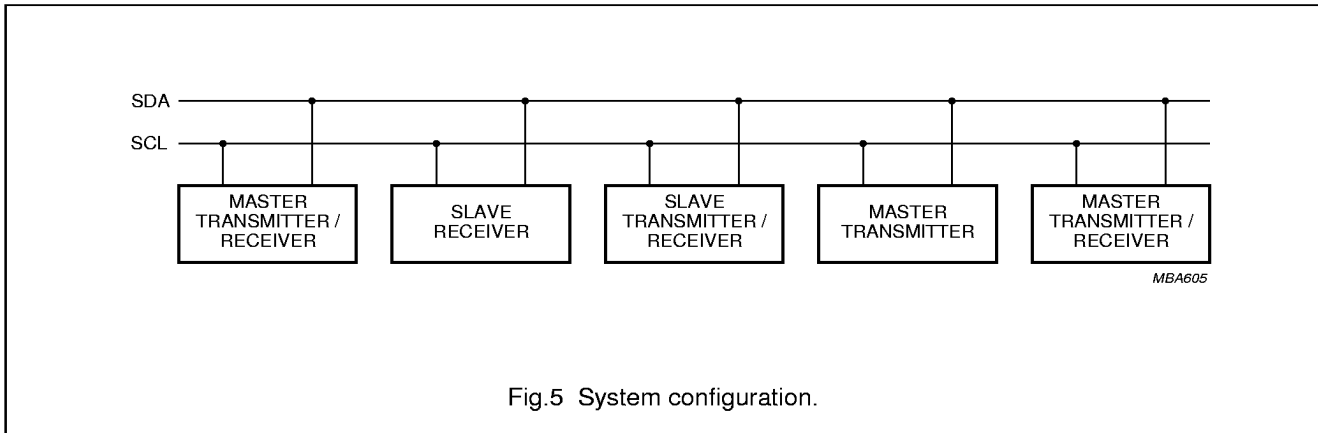


Fig.5 System configuration.

7.4 Acknowledge

The number of data bytes transferred between the start and stop conditions from transmitter to receiver is unlimited. Each byte of eight bits is followed by an acknowledge bit. The acknowledge bit is a HIGH level signal put on the bus by the transmitter during which time the master generates an extra acknowledge related clock pulse. A slave receiver which is addressed must generate an acknowledge after the reception of each byte. Also a master receiver must generate an acknowledge after the reception of each byte that has been clocked out of the slave transmitter.

The device that acknowledges must pull down the SDA line during the acknowledge clock pulse, so that the SDA line is stable LOW during the HIGH period of the acknowledge related clock pulse (set-up and hold times must be taken into consideration). A master receiver must signal an end of data to the transmitter by not generating an acknowledge on the last byte that has been clocked out of the slave. In this event the transmitter must leave the data line HIGH to enable the master to generate a stop condition.

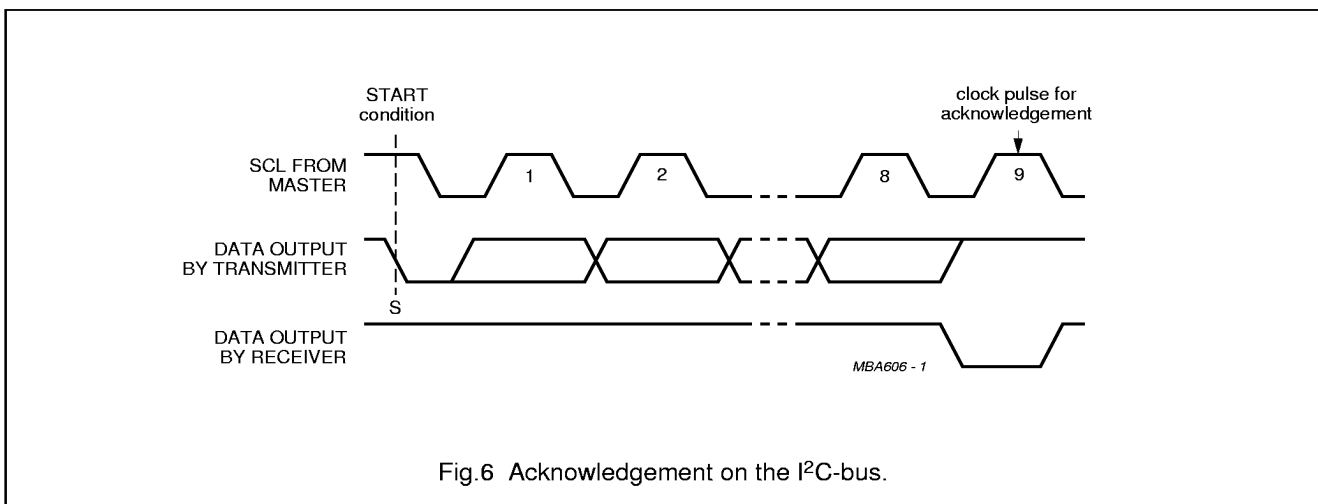


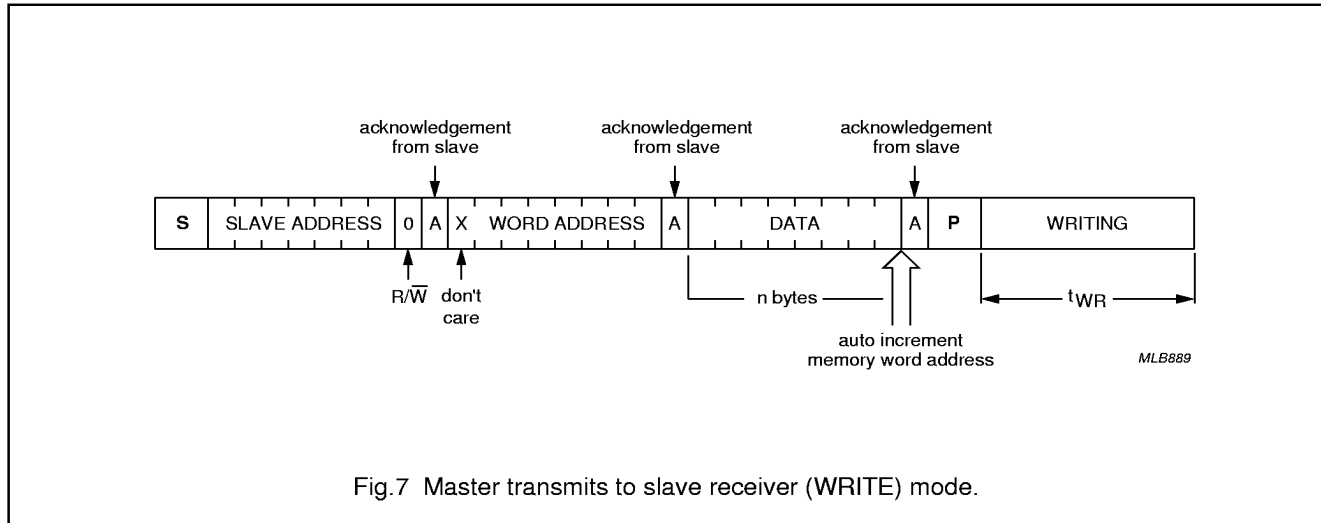
Fig.6 Acknowledgement on the I²C-bus.

128 × 8-bit EEPROM with I²C-bus interface

PCA8581; PCA8581C

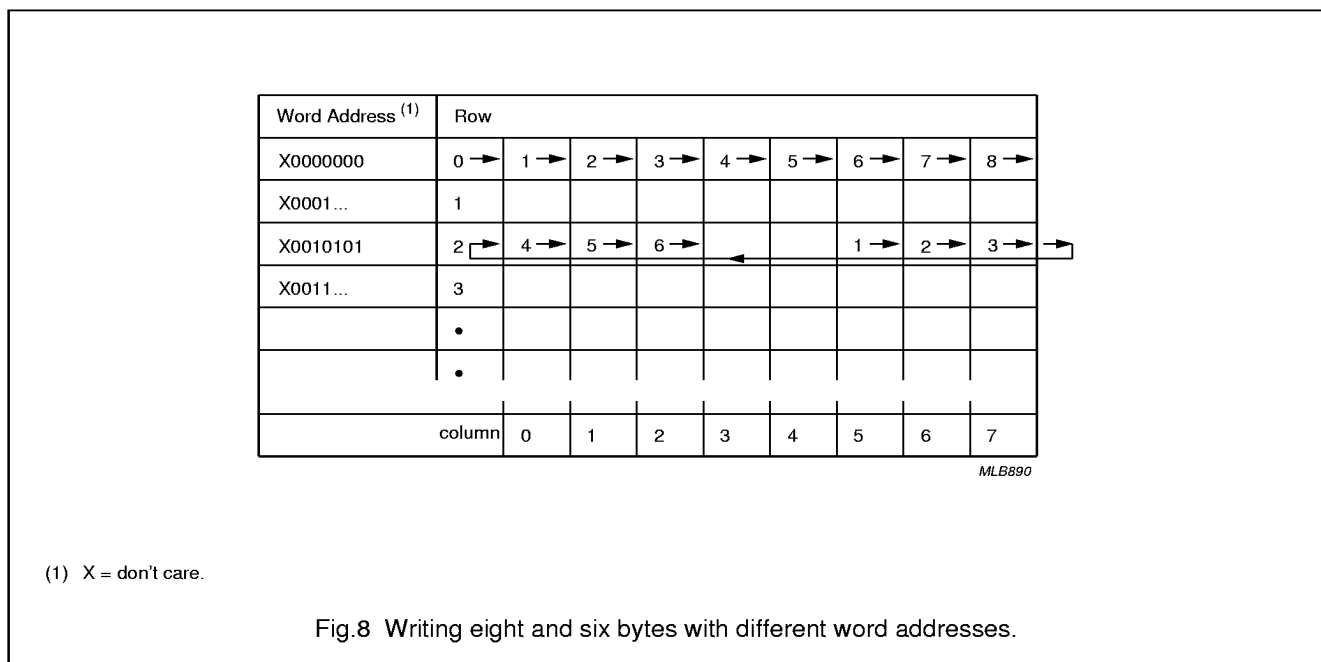
7.5 I²C-bus protocol

Before any data is transmitted on the I²C-bus, the device which should respond is addressed first. The addressing is always carried out with the first byte transmitted after the start procedure. The I²C-bus configuration for the different PCA8581 WRITE and READ cycles is shown in Figs 7, 9 and 10.



After the word address, one-to-eight data bytes can be sent. The address is automatically incremented, but the four highest address bits (row) are internally latched. Therefore all bytes are written in the same row.

An example of writing eight bytes with word address X 0 0 0 0 0 0 and six bytes with word address X 0 0 1 0 1 0 1 is shown in Fig.8.



128 × 8-bit EEPROM with I²C-bus interface

PCA8581; PCA8581C

To transmit eight bytes in sequential order, begin with the lowest address bits 0 0 0. The data is written after a stop is detected. The data is only written if complete bytes have been received and acknowledged. Writing takes a time t_{WR} (6 to 10 ms) during which the device will not respond to its slave address. Note that to write the next row, a new write operation is required (start, slave address, row address, data and stop).

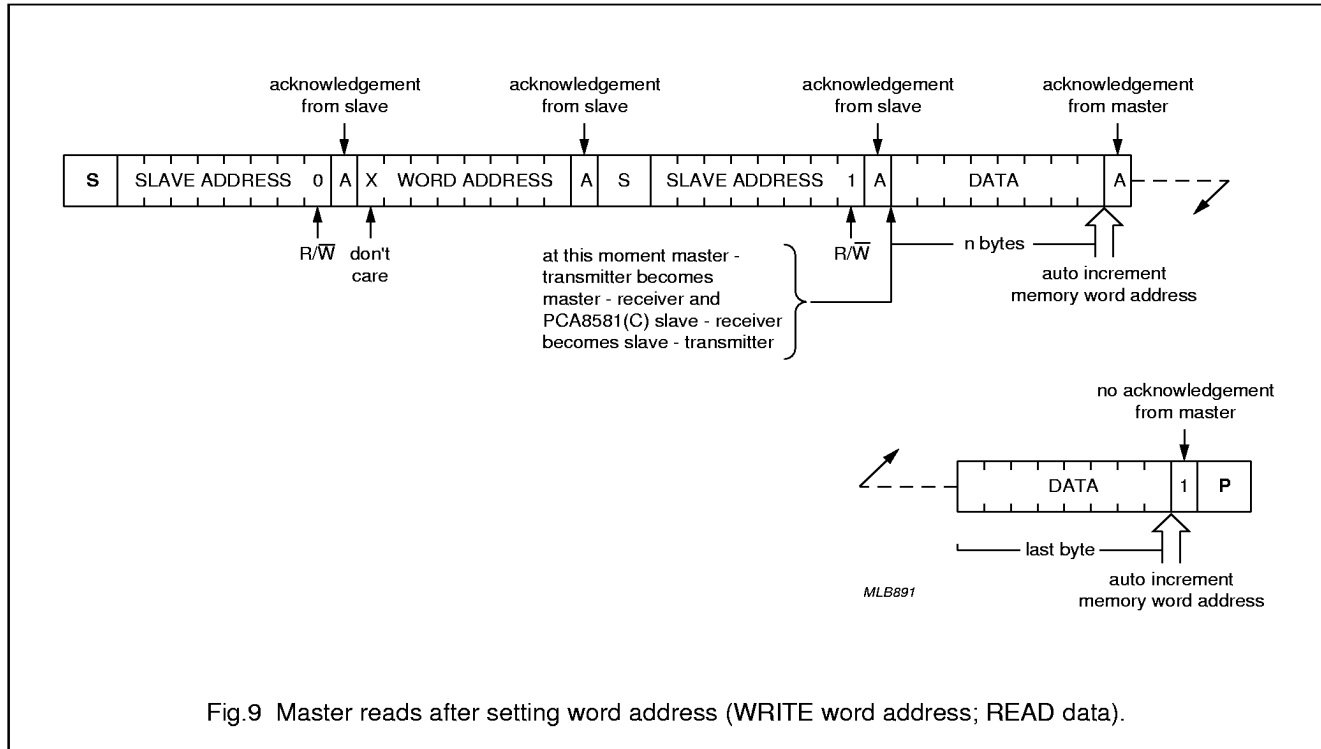


Fig.9 Master reads after setting word address (WRITE word address; READ data).

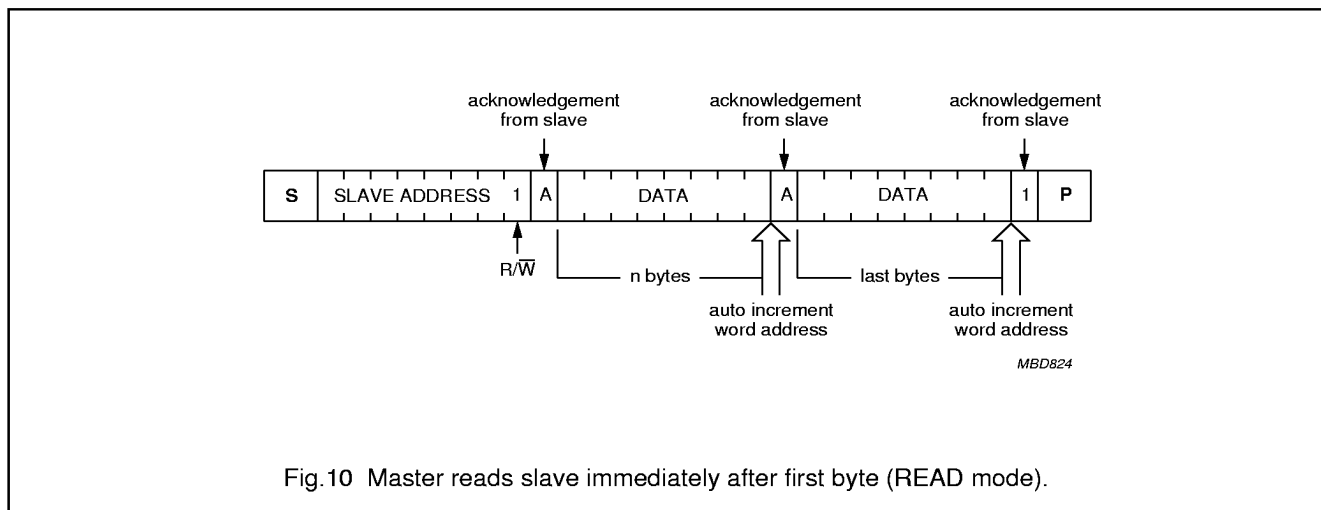


Fig.10 Master reads slave immediately after first byte (READ mode).

An unlimited number of data bytes can be read in one operation. The address is automatically incremented. If a read without setting the word address is performed after a write operation, the address pointer may point at a byte in the row after the previously written row. This occurs if, during writing, the three lowest address bits (column) rolled over.

128 × 8-bit EEPROM with I²C-bus interface

PCA8581; PCA8581C

8 LIMITING VALUES

In accordance with the Absolute Maximum Rating System (IEC 134).

| SYMBOL | PARAMETER | CONDITIONS | MIN. | MAX. | UNIT |
|------------------|-------------------------------------|-------------------------------|------|-----------------------|------|
| V _{DD} | supply voltage (pin 8) | | -0.3 | +7.0 | V |
| V _I | input voltage (any input) | measured via a 500 Ω resistor | -0.8 | V _{DD} + 0.8 | V |
| I _I | DC input current | | - | ±10 | mA |
| I _O | DC output current | | - | ±10 | mA |
| P _{tot} | total power dissipation per package | | - | 150 | mW |
| P _O | power dissipation per output | | - | 50 | mW |
| T _{amb} | operating ambient temperature | | -25 | +85 | °C |
| T _{stg} | storage temperature | without EEPROM retention | -65 | +150 | °C |
| | | with EEPROM retention | -65 | +85 | °C |

9 HANDLING

Inputs and outputs are protected against electrostatic discharge in normal handling. However, to be totally safe, it is desirable to take precautions appropriate to handling MOS devices. Advice can be found in Data Handbook IC12 under "Handling MOS Devices".

128 × 8-bit EEPROM with I²C-bus interface

PCA8581; PCA8581C

10 DC CHARACTERISTICS

$V_{DD} = 2.5$ to 6.0 V (PCA8581C); $V_{DD} = 4.5$ to 5.5 V (PCA8581); $V_{SS} = 0$ V; $T_{amb} = -25$ to $+85$ °C; note 1; unless otherwise specified.

| SYMBOL | PARAMETER | CONDITIONS | MIN. | TYP. | MAX. | UNIT |
|---------------------------------------|--------------------------|---|-------------|------|-------------|-------|
| Supply | | | | | | |
| V_{DD} | supply voltage | | | | | |
| | PCA8581C | | 2.5 | – | 6.0 | V |
| | PCA8581 | | 4.5 | – | 5.5 | V |
| I_{DD} | supply current | | | | | |
| | standby mode | $f_{SCL} = 0$ Hz; $V_{IL} = 0$ V; $V_{IH} = V_{DD}$ | – | – | 10 | μA |
| | during read cycle | $f_{SCL} = 100$ Hz; $V_{IL} = 0$ V; $V_{IH} = V_{DD}$ | – | – | 400 | μA |
| | during write cycle | $V_{IL} = 0$ V; $V_{IH} = V_{DD}$ | – | – | 1000 | μA |
| Inputs A0, A1, A2, SDA and SCL | | | | | | |
| V_{IL} | LOW level input voltage | | – | – | $0.3V_{DD}$ | V |
| V_{IH} | HIGH level input voltage | | $0.7V_{DD}$ | – | – | V |
| I_{LI} | input leakage current | $V_I = V_{DD}$ or V_{SS} | – | – | 1 | μA |
| C_i | input capacitance | $V_I = V_{SS}$ | – | – | 7 | pF |
| Output SDA | | | | | | |
| I_{OL} | LOW level output current | $V_{OL} = 0.4$ V | 3 | – | – | mA |
| Erase/write data | | | | | | |
| t_{WR} | write time | | – | 7 | 10 | ms |
| t_{RET} | data retention time | | 10 | – | – | years |

Note

- The PCA8581C is guaranteed to be programmed with all locations 'FF' (hexadecimal) provided the device has been stored within the temperature limits -65 to $+85$ °C.

128 × 8-bit EEPROM with I²C-bus interface

PCA8581; PCA8581C

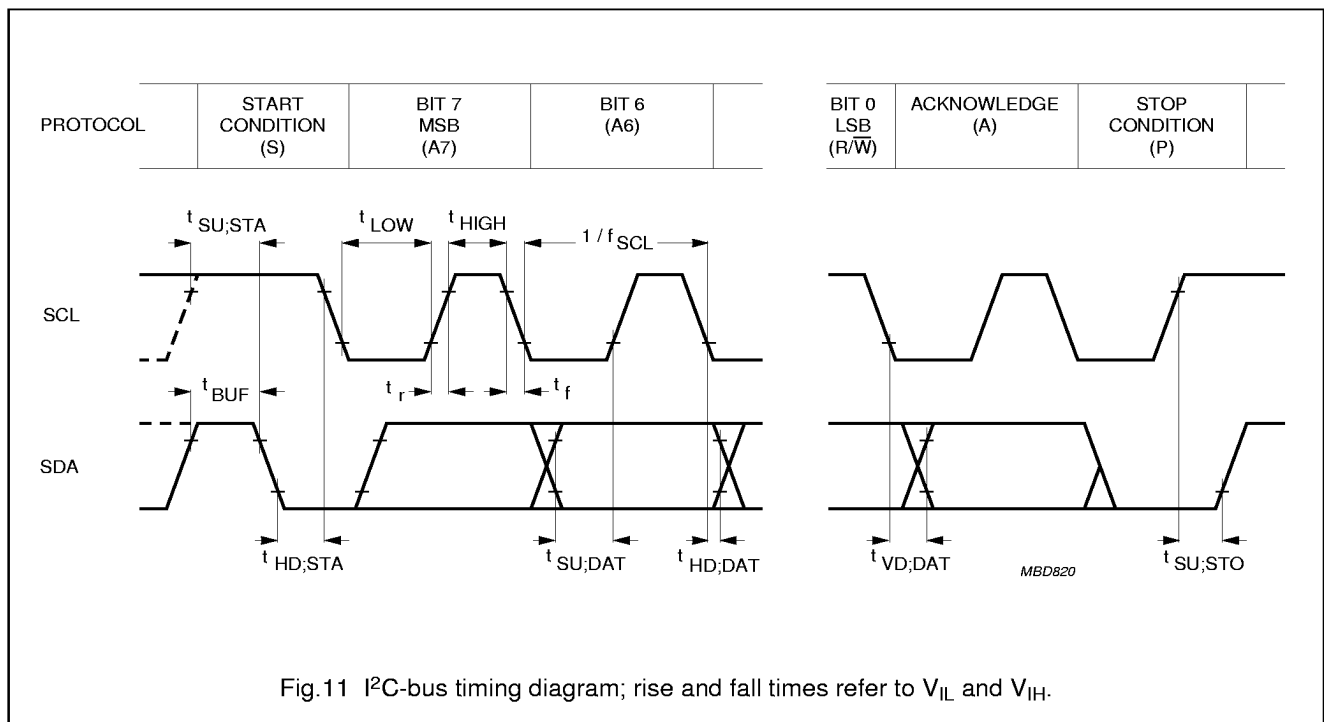
11 AC CHARACTERISTICS

All timing values are valid within the operating supply voltage and ambient temperature range and reference to V_{IL} and V_{IH} with an input voltage swing of V_{SS} to V_{DD}.

| SYMBOL | PARAMETER | MIN. | TYP. | MAX. | UNIT |
|---|------------------------------|------|------|------|------|
| I²C-bus timing (see Fig.11; note 1) | | | | | |
| f _{SCL} | SCL clock frequency | – | – | 100 | kHz |
| t _{SP} | tolerable spike width on bus | – | – | 100 | ns |
| t _{BUF} | bus free time | 4.7 | – | – | μs |
| t _{SU,STA} | START condition set-up time | 4.7 | – | – | μs |
| t _{HD,STA} | START condition hold time | 4.0 | – | – | μs |
| t _{LOW} | SCL LOW time | 4.7 | – | – | μs |
| t _{HIGH} | SCL HIGH time | 4.0 | – | – | μs |
| t _r | SCL and SDA rise time | – | – | 1.0 | μs |
| t _f | SCL and SDA fall time | – | – | 0.3 | μs |
| t _{SU,DAT} | data set-up time | 250 | – | – | ns |
| t _{HD,DAT} | data hold time | 0 | – | – | ns |
| t _{VD,DAT} | SCL LOW to data out valid | – | – | 3.4 | μs |
| t _{SU,STO} | STOP condition set-up time | 4.0 | – | – | μs |

Note

1. A detailed description of the I²C-bus specification, with applications, is given in brochure “The I²C-bus and how to use it”. This brochure may be ordered using the code 9398 393 40011.

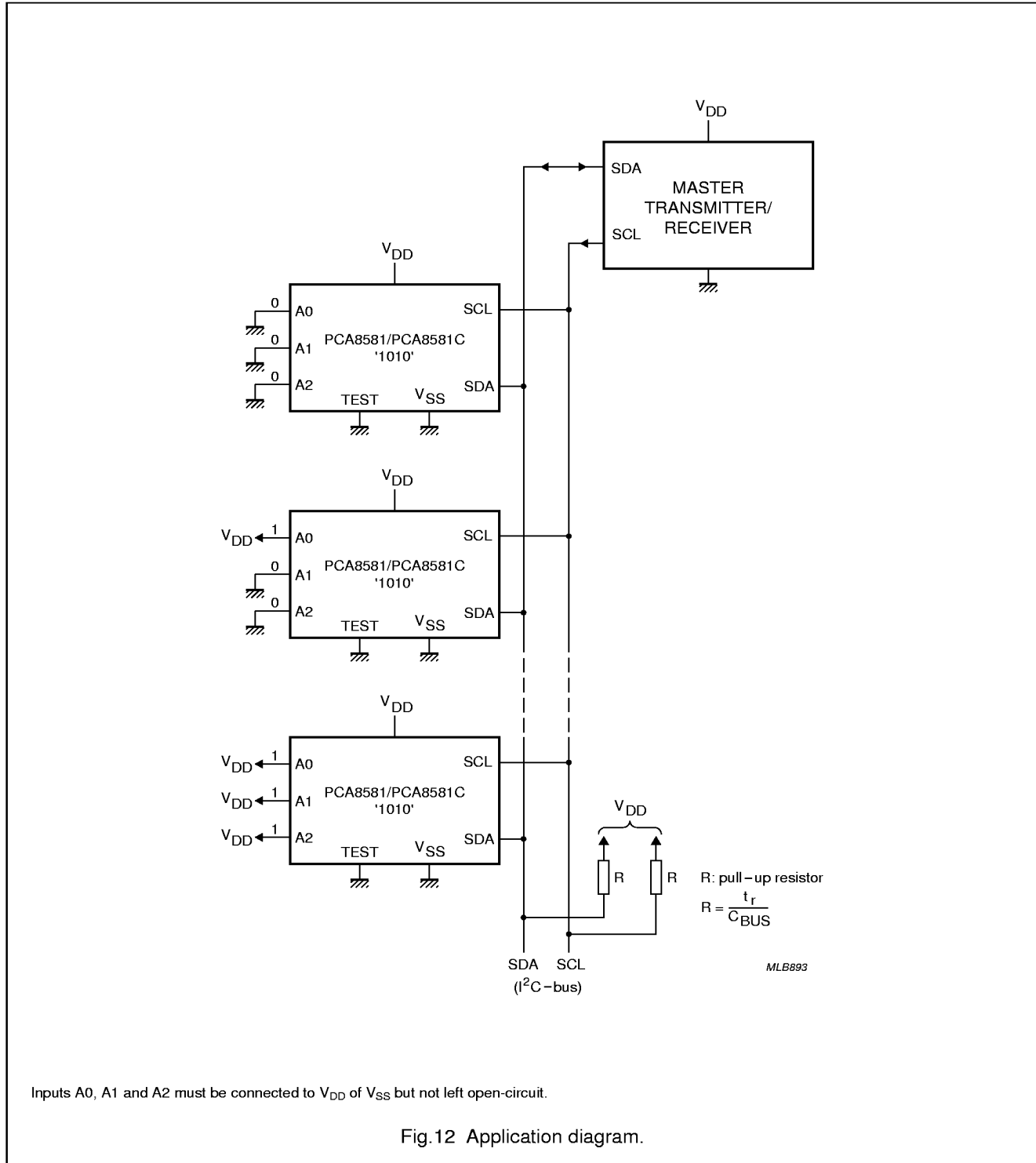


128 × 8-bit EEPROM with I²C-bus interface

PCA8581; PCA8581C

12 APPLICATION INFORMATION

12.1 Application example



128 × 8-bit EEPROM with I²C-bus interface

PCA8581; PCA8581C

12.2 Slave address

The PCA8581 has a fixed combination 1 0 1 0 as group 1, while group 2 is fully programmable (see Fig.13).

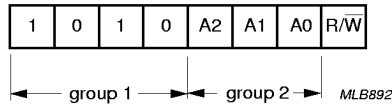
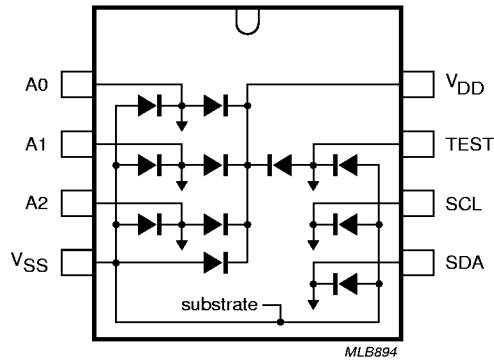


Fig.13 Slave address.

12.3 Diode protection



There is no connection between SCL and V_{DD}, and SDA and V_{DD}; this allows powering down the device without affecting I²C-bus operation.

Fig.14 Device diode protection.

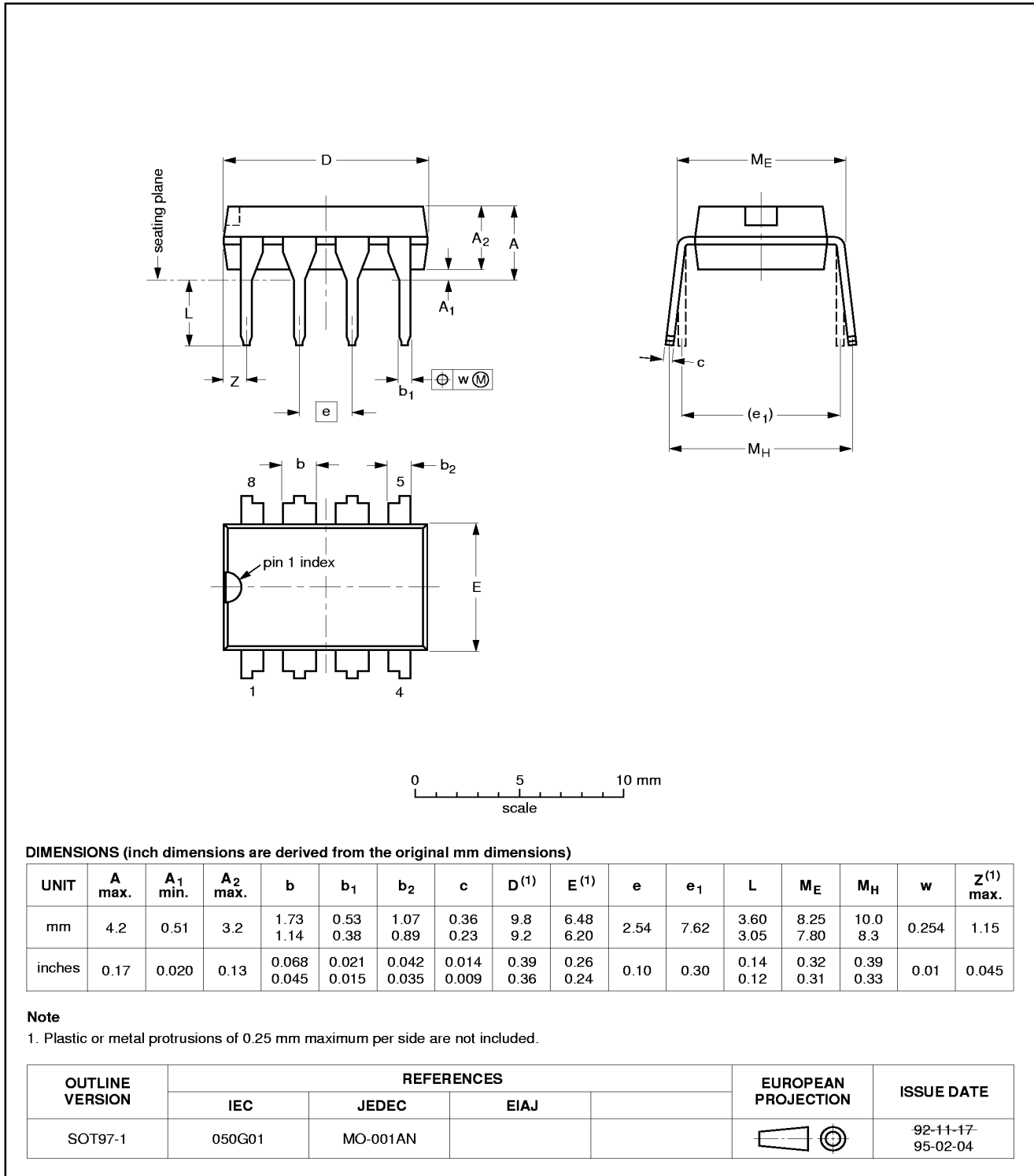
128 × 8-bit EEPROM with I²C-bus interface

PCA8581; PCA8581C

13 PACKAGE OUTLINES

DIP8: plastic dual in-line package; 8 leads (300 mil)

SOT97-1

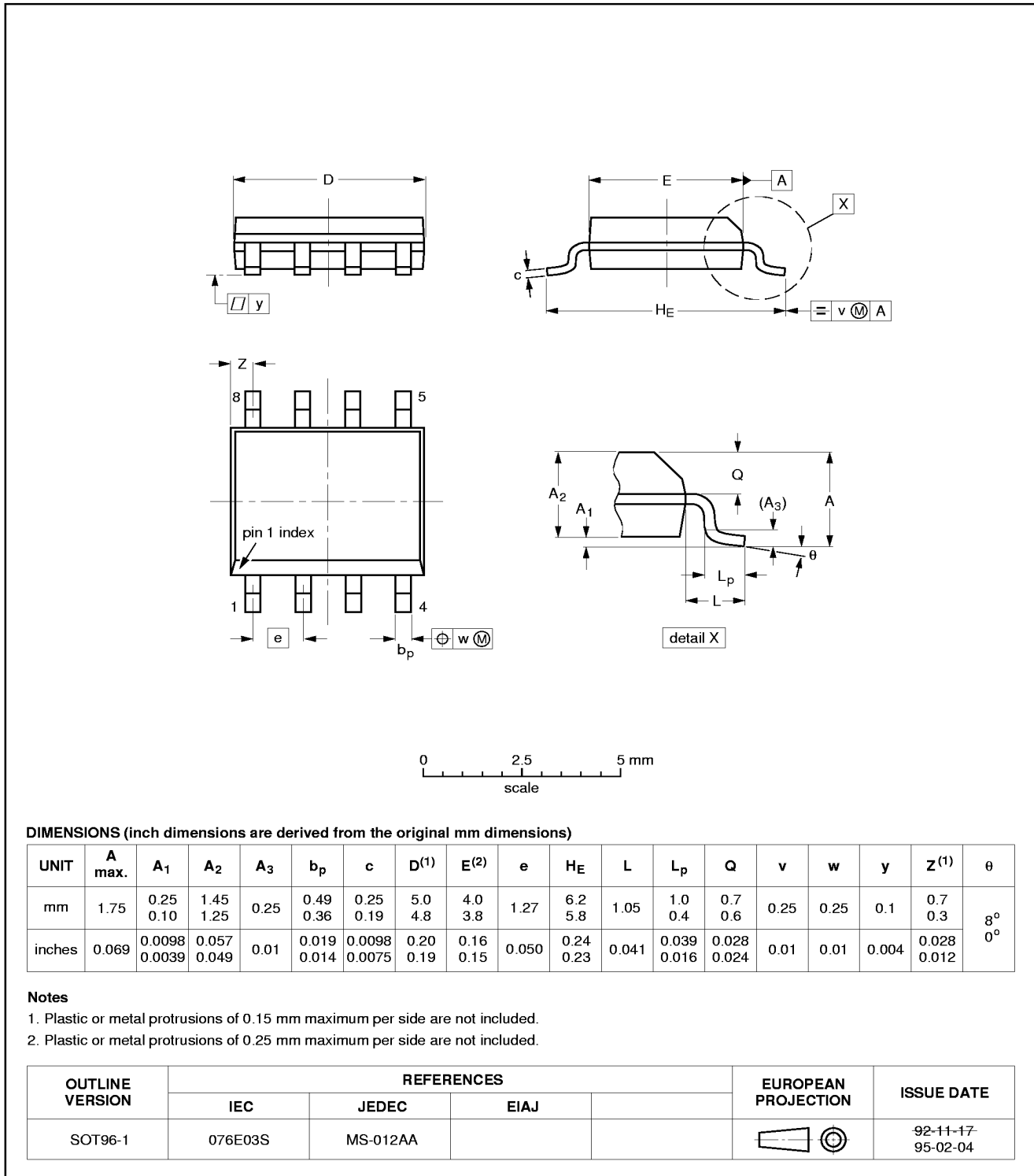


128 × 8-bit EEPROM with I²C-bus interface

PCA8581; PCA8581C

S08: plastic small outline package; 8 leads; body width 3.9 mm

SOT96-1



128 × 8-bit EEPROM with I²C-bus interface

PCA8581; PCA8581C

14 SOLDERING

14.1 Introduction

There is no soldering method that is ideal for all IC packages. Wave soldering is often preferred when through-hole and surface mounted components are mixed on one printed-circuit board. However, wave soldering is not always suitable for surface mounted ICs, or for printed-circuits with high population densities. In these situations reflow soldering is often used.

This text gives a very brief insight to a complex technology. A more in-depth account of soldering ICs can be found in our "IC Package Databook" (order code 9398 652 90011).

14.2 DIP

14.2.1 SOLDERING BY DIPPING OR BY WAVE

The maximum permissible temperature of the solder is 260 °C; solder at this temperature must not be in contact with the joint for more than 5 seconds. The total contact time of successive solder waves must not exceed 5 seconds.

The device may be mounted up to the seating plane, but the temperature of the plastic body must not exceed the specified maximum storage temperature ($T_{stg\ max}$). If the printed-circuit board has been pre-heated, forced cooling may be necessary immediately after soldering to keep the temperature within the permissible limit.

14.2.2 REPAIRING SOLDERED JOINTS

Apply a low voltage soldering iron (less than 24 V) to the lead(s) of the package, below the seating plane or not more than 2 mm above it. If the temperature of the soldering iron bit is less than 300 °C it may remain in contact for up to 10 seconds. If the bit temperature is between 300 and 400 °C, contact may be up to 5 seconds.

14.3 SO

14.3.1 REFLOW SOLDERING

Reflow soldering techniques are suitable for all SO packages.

Reflow soldering requires solder paste (a suspension of fine solder particles, flux and binding agent) to be applied to the printed-circuit board by screen printing, stencilling or pressure-syringe dispensing before package placement.

Several techniques exist for reflowing; for example, thermal conduction by heated belt. Dwell times vary between 50 and 300 seconds depending on heating method. Typical reflow temperatures range from 215 to 250 °C.

Preheating is necessary to dry the paste and evaporate the binding agent. Preheating duration: 45 minutes at 45 °C.

14.3.2 WAVE SOLDERING

Wave soldering techniques can be used for all SO packages if the following conditions are observed:

- A double-wave (a turbulent wave with high upward pressure followed by a smooth laminar wave) soldering technique should be used.
- The longitudinal axis of the package footprint must be parallel to the solder flow.
- The package footprint must incorporate solder thieves at the downstream end.

During placement and before soldering, the package must be fixed with a droplet of adhesive. The adhesive can be applied by screen printing, pin transfer or syringe dispensing. The package can be soldered after the adhesive is cured.

Maximum permissible solder temperature is 260 °C, and maximum duration of package immersion in solder is 10 seconds, if cooled to less than 150 °C within 6 seconds. Typical dwell time is 4 seconds at 250 °C.

A mildly-activated flux will eliminate the need for removal of corrosive residues in most applications.

14.3.3 REPAIRING SOLDERED JOINTS

Fix the component by first soldering two diagonally-opposite end leads. Use only a low voltage soldering iron (less than 24 V) applied to the flat part of the lead. Contact time must be limited to 10 seconds at up to 300 °C. When using a dedicated tool, all other leads can be soldered in one operation within 2 to 5 seconds between 270 and 320 °C.