



ST16601

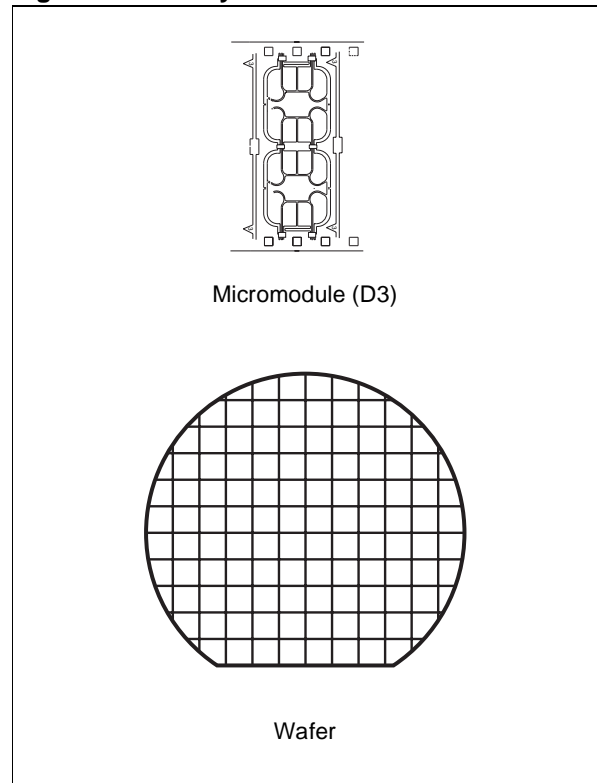
Smartcard MCU

With 1088 Bytes EEPROM

DATA BRIEFING

- 8 BIT ARCHITECTURE CPU
- 6 K Bytes of USER ROM, SECTOR COMBINATIVE
- 1 K Byte of SYSTEM ROM
- 128 Bytes of RAM
- 1088 Bytes of EEPROM, SECTOR COMBINATIVE
 - Highly reliable CMOS EEPROM technology
 - 10 year data retention
 - 300,000 Erase/Write cycle endurance
 - Protected One Time Programmable block (32 or 64 bytes)
 - 1 to 16 bytes block either Erase or Write in single cycle programming
- EXTENDED VOLTAGE OPERATION
 - V_{CC} Range: 2.7V to 5.5V
- SERIAL ACCESS, ISO 7816-3 COMPATIBLE
- POWER SAVING STANDBY MODE
- UP TO 5 MHz INTERNAL OPERATING FREQUENCY
- VERY HIGH SECURITY FEATURES INCLUDING EEPROM FLASH ERASE
- CONTACT ASSIGNMENT COMPATIBLE ISO 7816-2
- ESD PROTECTION GREATER THAN 5000V
- MEETS GSM 11.11 AND 11.12 SPECIFICATIONS
- 2 OPERATING CONFIGURATIONS
 - ISSUER
 - USER
- UNIQUE SERIAL NUMBER ON EACH DIE

Figure 1. Delivery Form



DESCRIPTION

The ST16601, a member of the standard ST16 device family, is a serial access microcontroller especially designed for high volume and cost competitive Smartcard applications where firmware security algorithm must be implemented.

The ST16601 is based on 8 bit CPU core and includes on chip memories: 128 Bytes of RAM, 6 K Bytes of USER ROM, 1 K Byte of SYSTEM ROM, and 1088 Bytes of EEPROM.

Both ROM and EEPROM memories can be configured into two sectors. Access rules from any memory section or sector to any other are set-up by the User's defined Memory Access Control Matrix (MACM).

Reliability data related to the ST16601 product manufactured using STMicroelectronics advanced CMOS EEPROM technology confirm data retention up to 10 years and endurance up to 300,000 Erase/Write cycles.

As all other ST16 family members, the ST16601 is fully compatible with the ISO standards for Smartcard applications.

Software development (ROM code, options) can be completed by the ST16-19HDSE development system.

The ST16601 can be delivered either in unsawn or sawn wafers, 180 or 275 micron thickness as well as in micromodule package.

Figure 2. Block Diagram

