

# 3.3 V, 802.11b/g Linear Power Amplifier



AP163-317

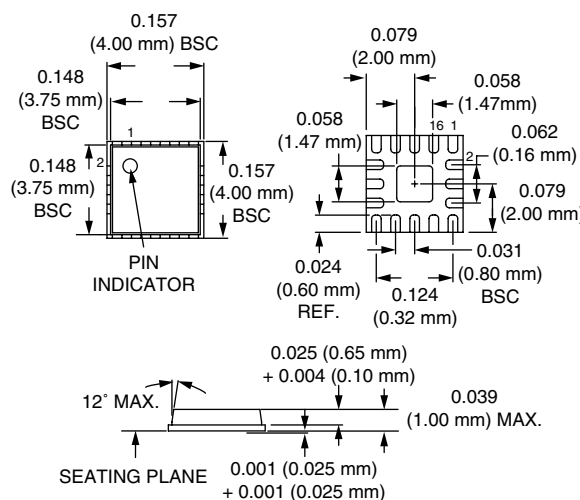
## Features

- High Linearity @ 23 dBm
- DC Current: 180 mA @ 3.3 V
- 802.11b/g Compliant
- 1800–2500 MHz Operation
- 19 dB Small Signal Gain
- 27 dBm  $P_{1\text{ dB}}$  @ 2.4 GHz
- Uses Single DC Bias Supply
- Low Cost Plastic Package
- Available on Tape & Reel

## Description

The AP163-317 is a linear, medium power amplifier designed for low voltage operation in 2.4–2.5 GHz ISM band having linear and high-efficiency performance with 802.11b/g signals. The device is manufactured on advanced InGaP HBT process and housed in a 16 Pin 4 x 4 mm micro lead package.

-317



## Absolute Maximum Ratings

Characteristic	Value
RF Input Power	20 dBm
Supply Current	800 mA
Supply Voltage	5 V
Operating Temperature	-65°C to +125°C
Storage Temperature	-65°C to +125°C

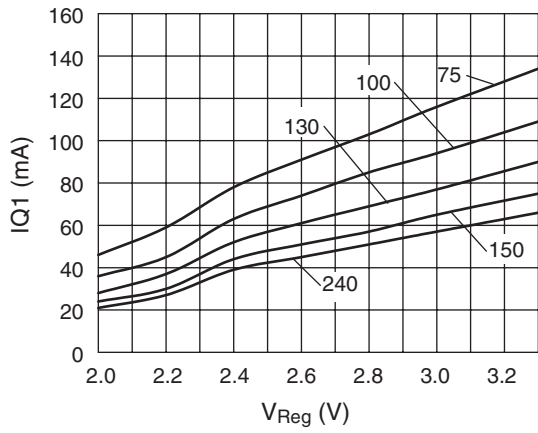
## Electrical Specifications at 25°C

Parameter	Condition	Symbol	Min.	Typ.	Max.	Unit
Frequency Range		MHz	1800		2500	dB
Small Signal Gain	F = 2.45 GHz	$S_{21}$	17	19	22	dB
Output Power at 1 dB compression	F = 2.45 GHz	$P_{1\text{ dB}}$	26	27		dBm
Linear Output Power <sup>1</sup>	F = 2.45 GHz, $I_C = 186\text{ mA}$	$P_{\text{Out}}$	23	23.5		dBm
First Sidelobe <sup>1</sup>	F = 2.45 GHz, $I_C = 170\text{ mA}$ , $P_{\text{Out}} = 22.5\text{ dBm}$			-40		dBc
Second Sidelobe <sup>1</sup>	F = 2.45 GHz, $I_C = 186\text{ mA}$ , $P_{\text{Out}} = 22.5\text{ dBm}$			-54		dBc
Operating Voltage	Amplifier DC voltage	$V_D$	2.5	3.3	4.5	V
Reverse Isolation		Isol.		30		dB
Current Consumption	$P_{\text{Out}} = 23.5\text{ dBm}$ $P_{\text{Out}} = 22.5\text{ dBm}$ $P_{\text{Out}} = 17\text{ dBm}$ Quiescent	$I_{\text{QO}}$		186 170 120 90		mA mA mA mA

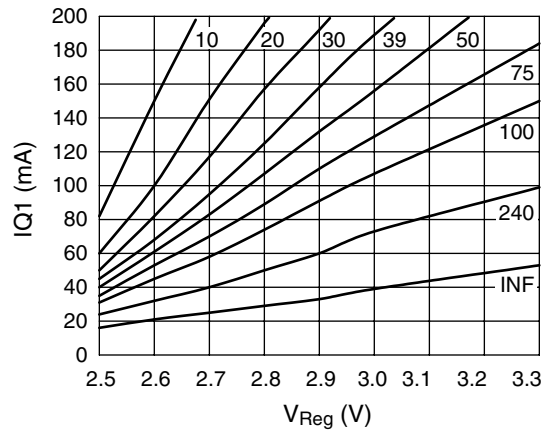
$V_{CC} = 3.3\text{ V}$ ,  $I_C = 90\text{ mA}$  (unless otherwise specified)

1. Specifications are defined for the evaluations board below with the 802.11b signal at 11Mbit/s and having Cosine (0.95) filtering.

### Typical Performance Data

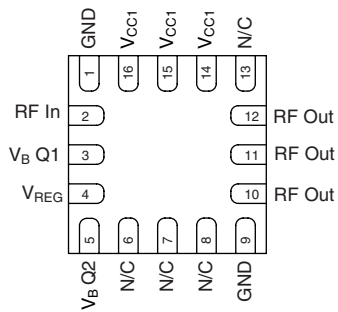


Quiescent Current of the 1st Stage vs. V<sub>Reg</sub> and RQ1

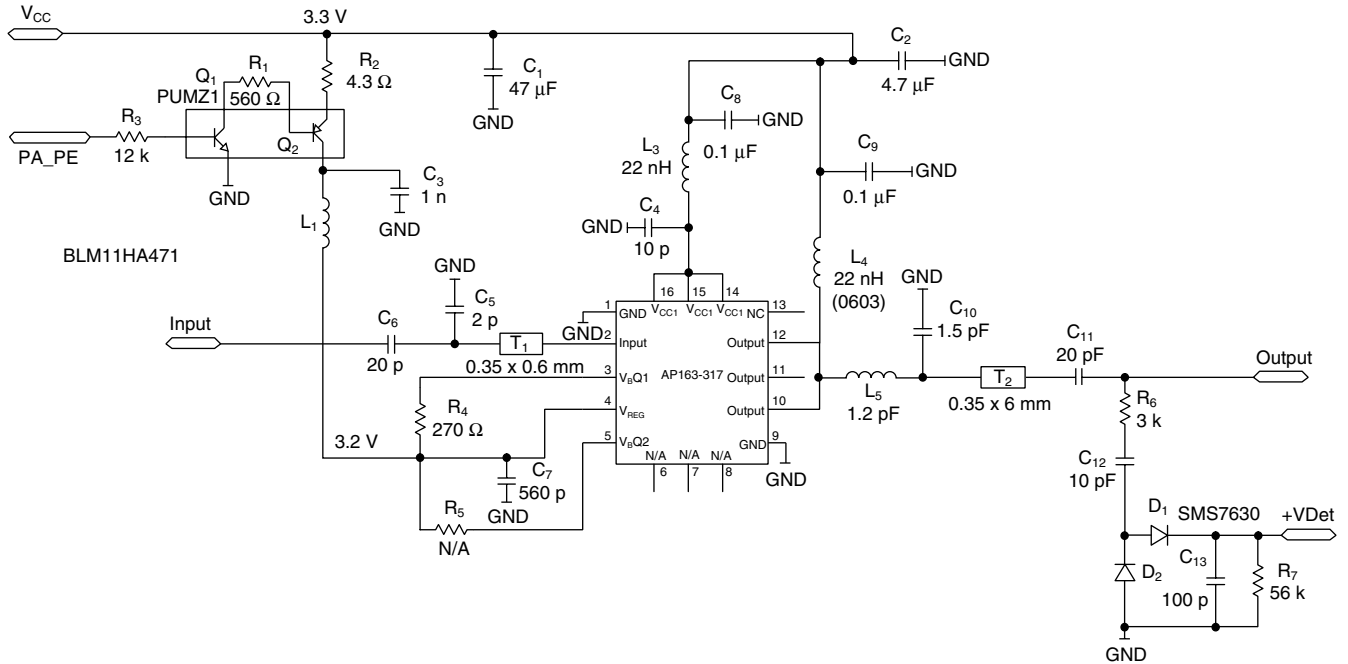


Quiescent Current of the 2nd Stage vs. V<sub>Reg</sub> and RQ2

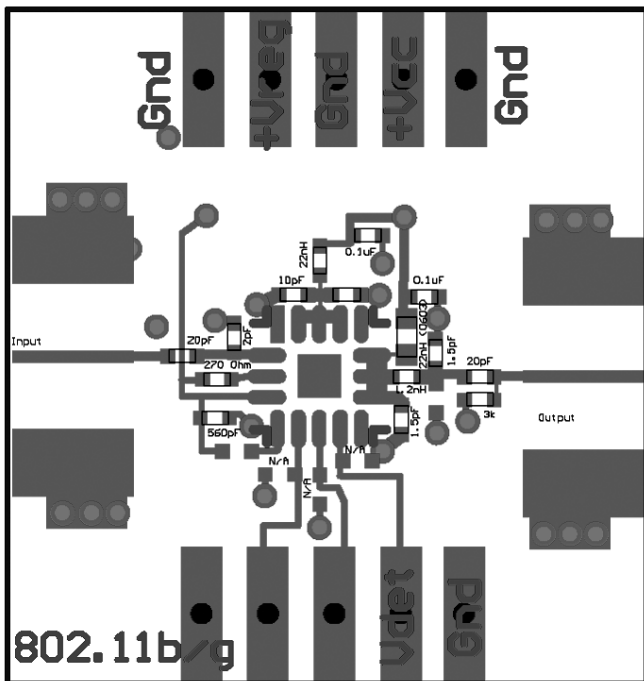
### Pin Out



### Evaluation Board Schematic



### Evaluation Board Layout (Top View)



### Evaluation Board Layout (Bottom View)

