

***THIS DOCUMENT IS FOR MAINTENANCE  
PURPOSES ONLY AND IS NOT  
RECOMMENDED FOR NEW DESIGNS***

# SP8716/8/9

## 520MHz LOW CURRENT TWO-MODULUS DIVIDERS

SP8716 ÷ 40/41, SP8718 ÷ 64/65, SP8719 ÷ 80/81 are 50mW programmable dividers with a maximum specified operating frequency of 520MHz over the temperature range -40 °C to + 85 °C.

The signal (clock) inputs are biased internally and require to be capacitor coupled. The output stage is of an unusual low power design featuring dynamic pull-up, and optimised for driving CMOS. The 0 to 1 output edge should be used to give the best loop delay performance.

### FEATURES

- DC to 520MHz Operation
- -40°C to +85°C Temperature Range
- Control Inputs and Outputs are CMOS Compatible

### QUICK REFERENCE DATA

- Supply Voltage 5.0V ± 0.25V
- Supply Current 10.5mA typ.

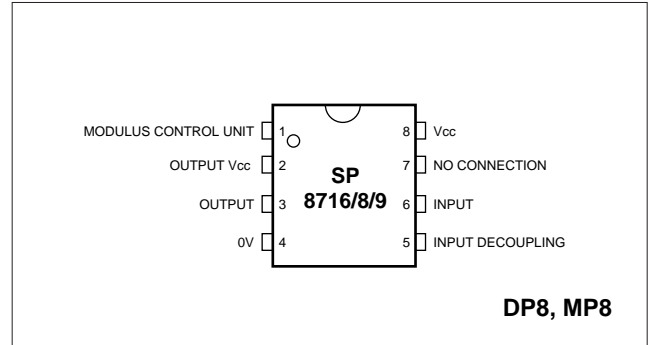


Figure : 1 Pin connections - top view

### ABSOLUTE MAXIMUM RATINGS

Supply voltage pin 2 or 8):	8V
Storage temperature range:	-55°C to +150°C
Max. Junction temperature:	+175°C
Max. clock I/P voltage:	2.5V p-p

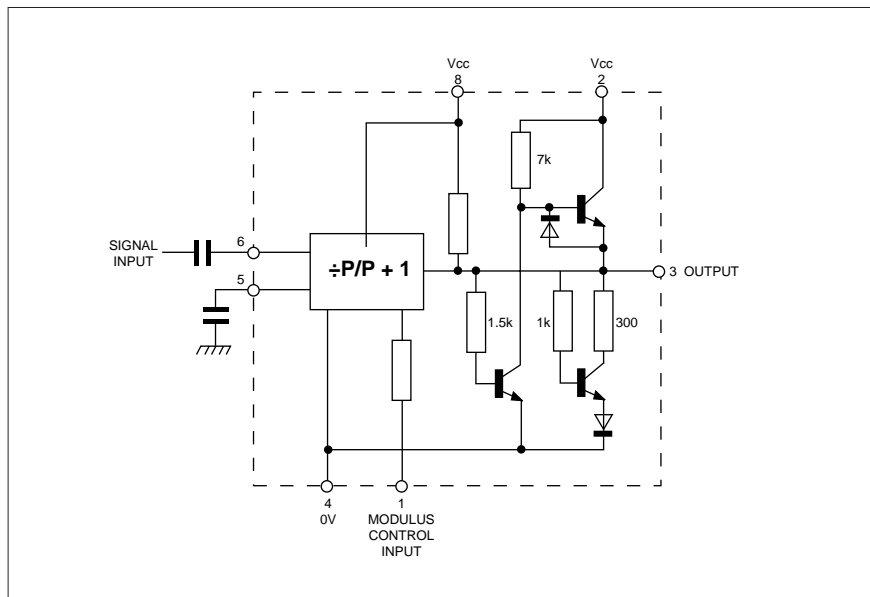


Figure 2 : Functional diagram

**ELECTRICAL CHARACTERISTICS**

Test conditions (unless otherwise stated):]

Supply voltage:  $V_{cc} = +4/95$  to 5.45V, Temperature:  $T_{amb} = -40^{\circ}C$  to  $+85^{\circ}C$

Characteristics	Symbol	Value		Units	Conditions	Notes
		Min.	Max.			
Max. frequency	$f_{max}$	520		MHz	Input 100-280mV p-p	1
Min. frequency (sinewave input)	$f_{min}$		30	MHz	Input 400-800mV p-p	2
Power supply current	$I_{CC}$		11.9	mA	$C_L = 3pF$ ; pins 2, 8 linked	1
Output high voltage	$V_{OH}$	$(V_{cc} - 1.2)$		V	$I_L = -0.2mA$	1
Output low voltage	$V_{OL}$		1	V	$I_L = 0.2mA$	1
Control input high voltage	$V_{INH}$	3.3	8	V	$\div P$	1
Control input low voltage	$V_{INL}$	0	1.7	V	$\div P + 1$	1
Control input high current	$V_{INH}$		0.41	mA	$V_{INH} = 8V$	1
Control input low current	$V_{INL}$	-0.20		mA	$V_{INL} = 0V$	1
Clock to output delay	$t_p$		28	ns	$C_L = 10pF$	2
Set-up time	$t_s$	10		ns	$C_L = 10pF$	2
Release time	$t_r$	10		ns	$C_L = 10pF$	2

NOTES

1. Tested at 25°C only
2. Guaranteed but not tested

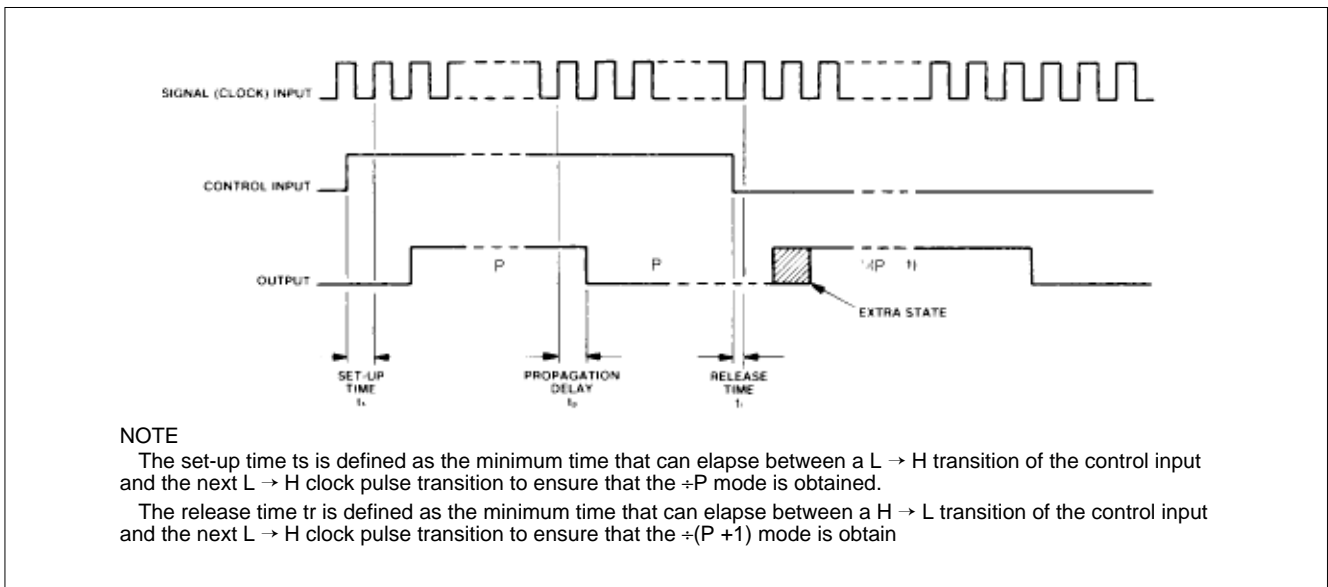
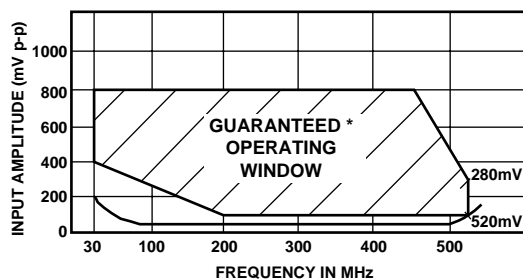


Figure 3 : Timing diagram



\*Tested as specified in table of Electrical Characteristics

Figure 4 : Typical input characteristics

**OPERATING NOTES**

1. The inputs are biased internally and coupled to a signal source with suitable capacitors.
2. If no signal is present the devices will self-oscillate. If this is undesirable it may be prevented by connecting a 15k resistor from one input to pin 4 (ground). This will reduce the sensitivity.
3. The circuits will operate down to DC but slew rate must be better than 100V/us.
4. The output stage is of an unusual design and is intended to interface with CMOS. External pull-up resistors or circuits must not be used.
5. This device is NOT suitable for driving TTL or its derivatives.

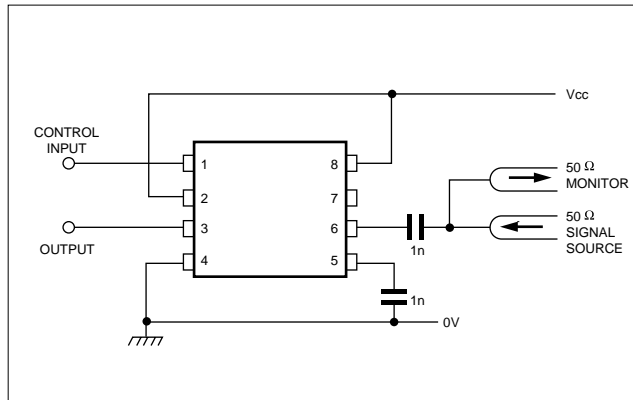


Figure 5: Toggle frequency test circuit

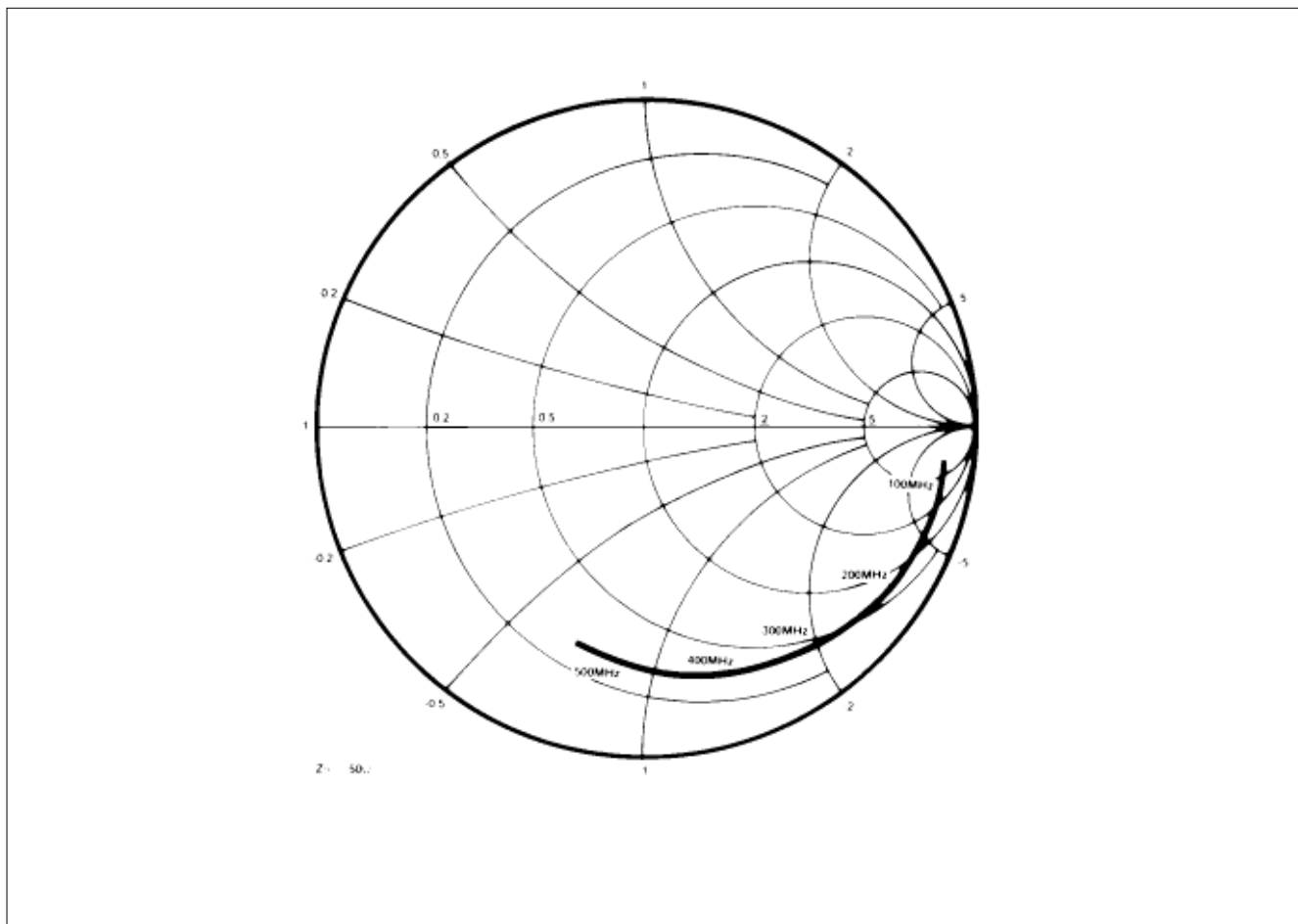


Figure 6 : Typical input impedance



**For more information about all Zarlink products  
visit our Web Site at  
[www.zarlink.com](http://www.zarlink.com)**

Information relating to products and services furnished herein by Zarlink Semiconductor Inc. trading as Zarlink Semiconductor or its subsidiaries (collectively "Zarlink") is believed to be reliable. However, Zarlink assumes no liability for errors that may appear in this publication, or for liability otherwise arising from the application or use of any such information, product or service or for any infringement of patents or other intellectual property rights owned by third parties which may result from such application or use. Neither the supply of such information or purchase of product or service conveys any license, either express or implied, under patents or other intellectual property rights owned by Zarlink or licensed from third parties by Zarlink, whatsoever. Purchasers of products are also hereby notified that the use of product in certain ways or in combination with Zarlink, or non-Zarlink furnished goods or services may infringe patents or other intellectual property rights owned by Zarlink.

This publication is issued to provide information only and (unless agreed by Zarlink in writing) may not be used, applied or reproduced for any purpose nor form part of any order or contract nor to be regarded as a representation relating to the products or services concerned. The products, their specifications, services and other information appearing in this publication are subject to change by Zarlink without notice. No warranty or guarantee express or implied is made regarding the capability, performance or suitability of any product or service. Information concerning possible methods of use is provided as a guide only and does not constitute any guarantee that such methods of use will be satisfactory in a specific piece of equipment. It is the user's responsibility to fully determine the performance and suitability of any equipment using such information and to ensure that any publication or data used is up to date and has not been superseded. Manufacturing does not necessarily include testing of all functions or parameters. These products are not suitable for use in any medical products whose failure to perform may result in significant injury or death to the user. All products and materials are sold and services provided subject to Zarlink's conditions of sale which are available on request.

Purchase of Zarlink's I<sup>2</sup>C components conveys a licence under the Philips I<sup>2</sup>C Patent rights to use these components in and I<sup>2</sup>C System, provided that the system conforms to the I<sup>2</sup>C Standard Specification as defined by Philips.

Zarlink, ZL and the Zarlink Semiconductor logo are trademarks of Zarlink Semiconductor Inc.

Copyright Zarlink Semiconductor Inc. All Rights Reserved.

**TECHNICAL DOCUMENTATION - NOT FOR RESALE**

---