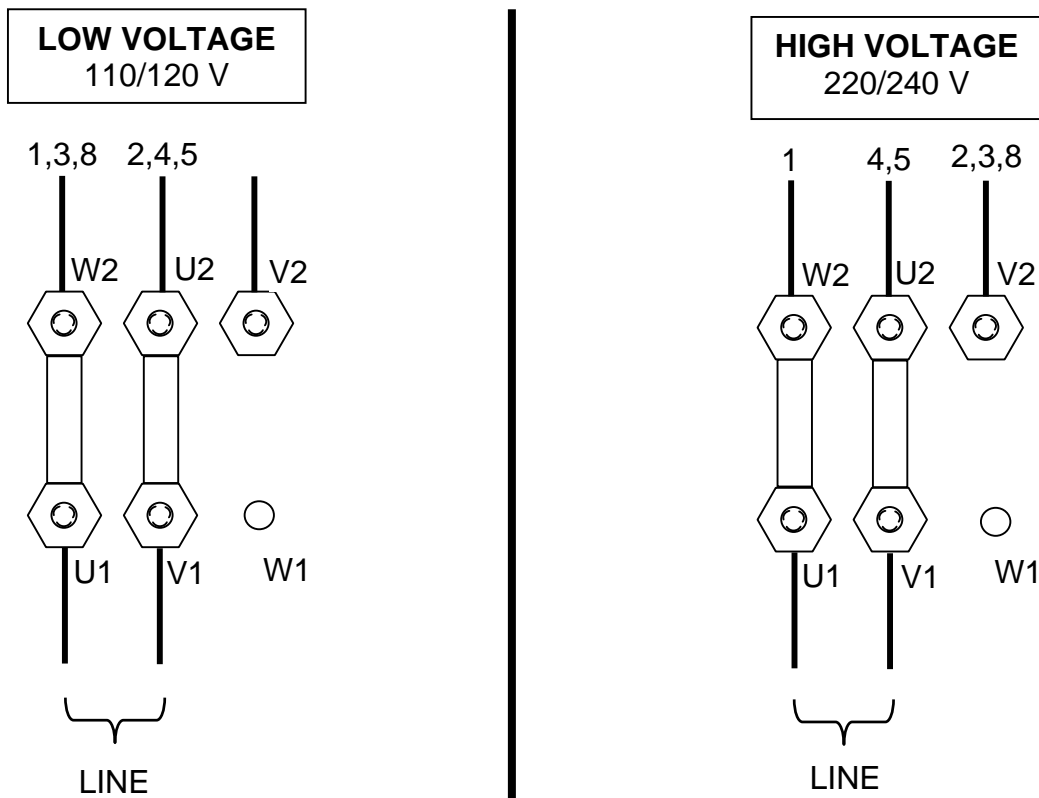


LITTON MARINE SYSTEMS UK
Service Bulletin No.18

Product: BridgeMaster E Series Radar

Subject: S Band Scanner Motor (Standard Speed)

S Band Scanner Motor type T91003757 is now supplied for **either** 110/120V or 220/240V, 50/60 Hz, 1 ϕ mains supply. At installation or when replacing the motor check the connections correctly match the supply.



There are 6 wires from the motor housing numbered 1,2,3,4,5 and 8. Identify correct drawing above and connect the wires to terminals as shown.

Note: The markings may be difficult to read so verify very carefully.