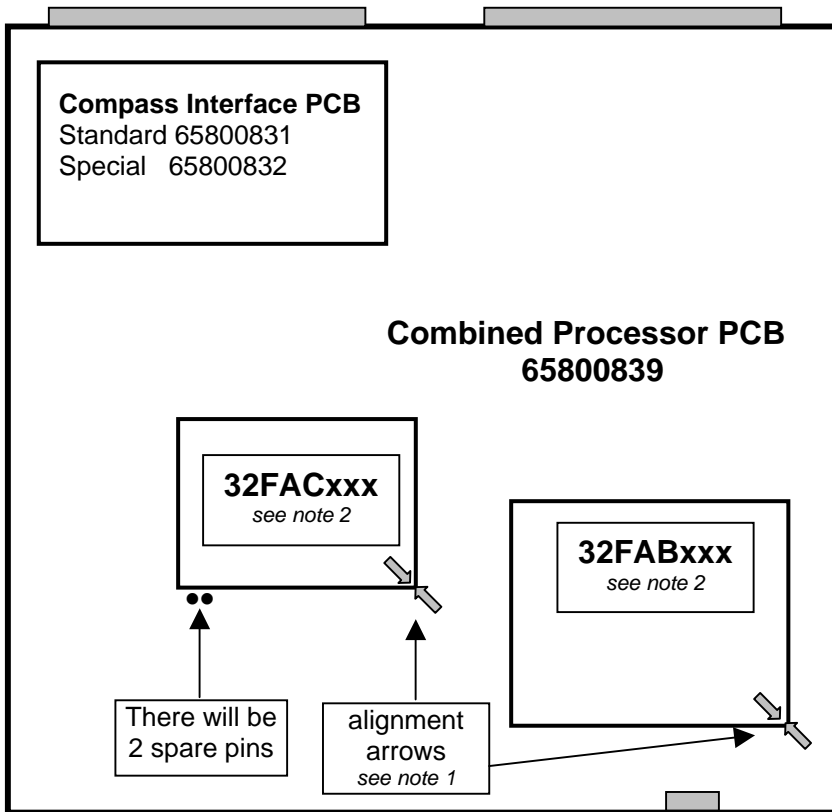


**Product:** Decca BridgeMaster E 'L' Series Radars

**Subject:** Fitting of Flash (Software) PCBs version SC1.xx series



**IMPORTANT**  
Ensure anti-static precautions are taken when handling electronic assemblies.

**Notes**

1. Ensure the alignment arrows face each other when fitting the PCBs.
2. xxx indicates Software Version:

xxx	Version
020	SC1.01
028	SC1.02

**IMPORTANT**  
BOTH FLASH PCBs **MUST BE THE SAME** VERSION NUMBER

*NOT DRAWN TO SCALE*