



North/Latin America
Europe/Africa
Asia/Oceania

Internal Use Only

<http://aic.lgservice.com>
<http://eic.lgservice.com>
<http://biz.lgservice.com>

LCD TV

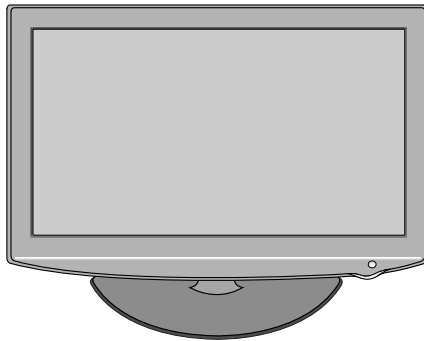
SERVICE MANUAL

CHASSIS : LD91A

MODEL : 19LH2000 19LH2000-ZA
19LH2020 19LH2020-ZC

CAUTION

BEFORE SERVICING THE CHASSIS,
READ THE SAFETY PRECAUTIONS IN THIS MANUAL.



P/NO : MFL50326813 (0904-REV00)

Printed in Korea

CONTENTS

| | |
|-------------------------------------|-----------|
| CONTENTS | 2 |
| PRODUCT SAFETY | 3 |
| SPECIFICATION | 6 |
| ADJUSTMENT INSTRUCTION | 10 |
| EXPLODED VIEW | 15 |
| SVC. SHEET | |

SAFETY PRECAUTIONS

IMPORTANT SAFETY NOTICE

Many electrical and mechanical parts in this chassis have special safety-related characteristics. These parts are identified by \triangle in the Schematic Diagram and Exploded View.

It is essential that these special safety parts should be replaced with the same components as recommended in this manual to prevent Shock, Fire, or other Hazards.

Do not modify the original design without permission of manufacturer.

General Guidance

An **isolation Transformer should always be used** during the servicing of a receiver whose chassis is not isolated from the AC power line. Use a transformer of adequate power rating as this protects the technician from accidents resulting in personal injury from electrical shocks.

It will also protect the receiver and its components from being damaged by accidental shorts of the circuitry that may be inadvertently introduced during the service operation.

If any fuse (or Fusible Resistor) in this TV receiver is blown, replace it with the specified.

When replacing a high wattage resistor (Oxide Metal Film Resistor, over 1W), keep the resistor 10mm away from PCB.

Keep wires away from high voltage or high temperature parts.

Before returning the receiver to the customer,

always perform an **AC leakage current check** on the exposed metallic parts of the cabinet, such as antennas, terminals, etc., to be sure the set is safe to operate without damage of electrical shock.

Leakage Current Cold Check(Antenna Cold Check)

With the instrument AC plug removed from AC source, connect an electrical jumper across the two AC plug prongs. Place the AC switch in the on position, connect one lead of ohm-meter to the AC plug prongs tied together and touch other ohm-meter lead in turn to each exposed metallic parts such as antenna terminals, phone jacks, etc.

If the exposed metallic part has a return path to the chassis, the measured resistance should be between $1M\Omega$ and $5.2M\Omega$.

When the exposed metal has no return path to the chassis the reading must be infinite.

An other abnormality exists that must be corrected before the receiver is returned to the customer.

Leakage Current Hot Check (See below Figure)

Plug the AC cord directly into the AC outlet.

Do not use a line Isolation Transformer during this check.

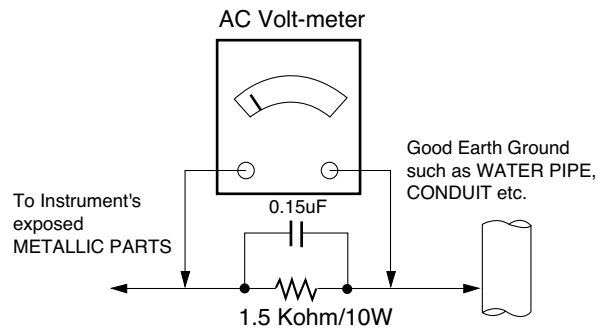
Connect 1.5K/10watt resistor in parallel with a 0.15uF capacitor between a known good earth ground (Water Pipe, Conduit, etc.) and the exposed metallic parts.

Measure the AC voltage across the resistor using AC voltmeter with 1000 ohms/volt or more sensitivity.

Reverse plug the AC cord into the AC outlet and repeat AC voltage measurements for each exposed metallic part. Any voltage measured must not exceed 0.75 volt RMS which corresponds to 0.5mA.

In case any measurement is out of the limits specified, there is possibility of shock hazard and the set must be checked and repaired before it is returned to the customer.

Leakage Current Hot Check circuit



When 25A is impressed between Earth and 2nd Ground for 1 second, Resistance must be less than 0.1Ω

*Base on Adjustment standard

SERVICING PRECAUTIONS

CAUTION: Before servicing receivers covered by this service manual and its supplements and addenda, read and follow the SAFETY PRECAUTIONS on page 3 of this publication.

NOTE: If unforeseen circumstances create conflict between the following servicing precautions and any of the safety precautions on page 3 of this publication, always follow the safety precautions. Remember: Safety First.

General Servicing Precautions

1. Always unplug the receiver AC power cord from the AC power source before;
 - a. Removing or reinstalling any component, circuit board module or any other receiver assembly.
 - b. Disconnecting or reconnecting any receiver electrical plug or other electrical connection.
 - c. Connecting a test substitute in parallel with an electrolytic capacitor in the receiver.
CAUTION: A wrong part substitution or incorrect polarity installation of electrolytic capacitors may result in an explosion hazard.

2. Test high voltage only by measuring it with an appropriate high voltage meter or other voltage measuring device (DVM, FETVOM, etc) equipped with a suitable high voltage probe. Do not test high voltage by "drawing an arc".

3. Do not spray chemicals on or near this receiver or any of its assemblies.

4. Unless specified otherwise in this service manual, clean electrical contacts only by applying the following mixture to the contacts with a pipe cleaner, cotton-tipped stick or comparable non-abrasive applicator; 10% (by volume) Acetone and 90% (by volume) isopropyl alcohol (90%-99% strength)

CAUTION: This is a flammable mixture.

Unless specified otherwise in this service manual, lubrication of contacts is not required.

5. Do not defeat any plug/socket B+ voltage interlocks with which receivers covered by this service manual might be equipped.
6. Do not apply AC power to this instrument and/or any of its electrical assemblies unless all solid-state device heat sinks are correctly installed.
7. Always connect the test receiver ground lead to the receiver chassis ground before connecting the test receiver positive lead.
Always remove the test receiver ground lead last.
8. Use with this receiver only the test fixtures specified in this service manual.

CAUTION: Do not connect the test fixture ground strap to any heat sink in this receiver.

Electrostatically Sensitive (ES) Devices

Some semiconductor (solid-state) devices can be damaged easily by static electricity. Such components commonly are called Electrostatically Sensitive (ES) Devices. Examples of typical ES devices are integrated circuits and some field-effect transistors and semiconductor "chip" components. The following techniques should be used to help reduce the incidence of component damage caused by static by static electricity.

1. Immediately before handling any semiconductor component or semiconductor-equipped assembly, drain off any electrostatic charge on your body by touching a known earth ground. Alternatively, obtain and wear a commercially available discharging wrist strap device, which should be removed to prevent potential shock reasons prior to applying power to the

unit under test.

2. After removing an electrical assembly equipped with ES devices, place the assembly on a conductive surface such as aluminum foil, to prevent electrostatic charge buildup or exposure of the assembly.
3. Use only a grounded-tip soldering iron to solder or unsolder ES devices.
4. Use only an anti-static type solder removal device. Some solder removal devices not classified as "anti-static" can generate electrical charges sufficient to damage ES devices.
5. Do not use freon-propelled chemicals. These can generate electrical charges sufficient to damage ES devices.
6. Do not remove a replacement ES device from its protective package until immediately before you are ready to install it. (Most replacement ES devices are packaged with leads electrically shorted together by conductive foam, aluminum foil or comparable conductive material).
7. Immediately before removing the protective material from the leads of a replacement ES device, touch the protective material to the chassis or circuit assembly into which the device will be installed.
CAUTION: Be sure no power is applied to the chassis or circuit, and observe all other safety precautions.
8. Minimize bodily motions when handling unpackaged replacement ES devices. (Otherwise harmless motion such as the brushing together of your clothes fabric or the lifting of your foot from a carpeted floor can generate static electricity sufficient to damage an ES device.)

General Soldering Guidelines

1. Use a grounded-tip, low-wattage soldering iron and appropriate tip size and shape that will maintain tip temperature within the range or 500°F to 600°F.
2. Use an appropriate gauge of RMA resin-core solder composed of 60 parts tin/40 parts lead.
3. Keep the soldering iron tip clean and well tinned.
4. Thoroughly clean the surfaces to be soldered. Use a mall wire-bristle (0.5 inch, or 1.25cm) brush with a metal handle. Do not use freon-propelled spray-on cleaners.
5. Use the following unsoldering technique
 - a. Allow the soldering iron tip to reach normal temperature. (500°F to 600°F)
 - b. Heat the component lead until the solder melts.
 - c. Quickly draw the melted solder with an anti-static, suction-type solder removal device or with solder braid.
CAUTION: Work quickly to avoid overheating the circuit board printed foil.
6. Use the following soldering technique.
 - a. Allow the soldering iron tip to reach a normal temperature (500°F to 600°F)
 - b. First, hold the soldering iron tip and solder the strand against the component lead until the solder melts.
 - c. Quickly move the soldering iron tip to the junction of the component lead and the printed circuit foil, and hold it there only until the solder flows onto and around both the component lead and the foil.
CAUTION: Work quickly to avoid overheating the circuit board printed foil.
 - d. Closely inspect the solder area and remove any excess or splashed solder with a small wire-bristle brush.

IC Remove/Replacement

Some chassis circuit boards have slotted holes (oblong) through which the IC leads are inserted and then bent flat against the circuit foil. When holes are the slotted type, the following technique should be used to remove and replace the IC. When working with boards using the familiar round hole, use the standard technique as outlined in paragraphs 5 and 6 above.

Removal

1. Desolder and straighten each IC lead in one operation by gently prying up on the lead with the soldering iron tip as the solder melts.
2. Draw away the melted solder with an anti-static suction-type solder removal device (or with solder braid) before removing the IC.

Replacement

1. Carefully insert the replacement IC in the circuit board.
2. Carefully bend each IC lead against the circuit foil pad and solder it.
3. Clean the soldered areas with a small wire-bristle brush. (It is not necessary to reapply acrylic coating to the areas).

"Small-Signal" Discrete Transistor

Removal/Replacement

1. Remove the defective transistor by clipping its leads as close as possible to the component body.
2. Bend into a "U" shape the end of each of three leads remaining on the circuit board.
3. Bend into a "U" shape the replacement transistor leads.
4. Connect the replacement transistor leads to the corresponding leads extending from the circuit board and crimp the "U" with long nose pliers to insure metal to metal contact then solder each connection.

Power Output, Transistor Device

Removal/Replacement

1. Heat and remove all solder from around the transistor leads.
2. Remove the heat sink mounting screw (if so equipped).
3. Carefully remove the transistor from the heat sink of the circuit board.
4. Insert new transistor in the circuit board.
5. Solder each transistor lead, and clip off excess lead.
6. Replace heat sink.

Diode Removal/Replacement

1. Remove defective diode by clipping its leads as close as possible to diode body.
2. Bend the two remaining leads perpendicular y to the circuit board.
3. Observing diode polarity, wrap each lead of the new diode around the corresponding lead on the circuit board.
4. Securely crimp each connection and solder it.
5. Inspect (on the circuit board copper side) the solder joints of the two "original" leads. If they are not shiny, reheat them and if necessary, apply additional solder.

Fuse and Conventional Resistor

Removal/Replacement

1. Clip each fuse or resistor lead at top of the circuit board hollow stake.
2. Securely crimp the leads of replacement component around notch at stake top.
3. Solder the connections.

CAUTION: Maintain original spacing between the replaced component and adjacent components and the circuit board to prevent excessive component temperatures.

Circuit Board Foil Repair

Excessive heat applied to the copper foil of any printed circuit board will weaken the adhesive that bonds the foil to the circuit board causing the foil to separate from or "lift-off" the board. The following guidelines and procedures should be followed whenever this condition is encountered.

At IC Connections

To repair a defective copper pattern at IC connections use the following procedure to install a jumper wire on the copper pattern side of the circuit board. (Use this technique only on IC connections).

1. Carefully remove the damaged copper pattern with a sharp knife. (Remove only as much copper as absolutely necessary).
2. Carefully scratch away the solder resist and acrylic coating (if used) from the end of the remaining copper pattern.
3. Bend a small "U" in one end of a small gauge jumper wire and carefully crimp it around the IC pin. Solder the IC connection.
4. Route the jumper wire along the path of the out-away copper pattern and let it overlap the previously scraped end of the good copper pattern. Solder the overlapped area and clip off any excess jumper wire.

At Other Connections

Use the following technique to repair the defective copper pattern at connections other than IC Pins. This technique involves the installation of a jumper wire on the component side of the circuit board.

1. Remove the defective copper pattern with a sharp knife. Remove at least 1/4 inch of copper, to ensure that a hazardous condition will not exist if the jumper wire opens.
 2. Trace along the copper pattern from both sides of the pattern break and locate the nearest component that is directly connected to the affected copper pattern.
 3. Connect insulated 20-gauge jumper wire from the lead of the nearest component on one side of the pattern break to the lead of the nearest component on the other side. Carefully crimp and solder the connections.
- CAUTION:** Be sure the insulated jumper wire is dressed so the it does not touch components or sharp edges.

SPECIFICATION

NOTE : Specifications and others are subject to change without notice for improvement.

1. Application range

This specification is applied to the LCD TV used LD91A chassis.

2. Requirement for Test

Each part is tested as below without special appointment.

- 1) Temperature : 25±5°C (77±9°F), CST : 40±5°C
- 2) Relative Humidity : 65±10%
- 3) Power Voltage : Standard input voltage (100-240V@50/60Hz)
* Standard Voltage of each products is marked by models.
- 4) Specification and performance of each parts are followed each drawing and specification by part number in accordance with BOM.
- 5) The receiver must be operated for about 5 minutes prior to the adjustment.

3. Test method

- 1) Performance: LGE TV test method followed
- 2) Demanded other specification
 - Safety: CE, IEC specification
 - EMC:CE, IEC

4. Module General Specification

| No | Item | Specification | Remark |
|----|---------------------|-------------------------------------|-------------------------------|
| 1 | Screen Device | 19" wide color display module | LCD |
| 2 | Aspect Ratio | 16:9 | |
| 3 | LCD Module | 19" TFT LCD HD | LGD/ AUO |
| 4 | Storage Environment | Temp. : -20 ~ 60 deg | |
| | | Humidity : 10 ~ 90 % | |
| 5 | Input Voltage | AC100-240V~, 50/60Hz | |
| 6 | Power Consumption | LGD Typ : 13.48 | |
| | | AUO Typ : 14 | LCD(Module) + Backlight(Lamp) |
| 7 | Module Size | LGD 430.4(H) x 254.6(V) x 13.0(D) | Without Inverter |
| | | AUO 430.37(H) x 254.6(V) x 16.5(D) | |
| 8 | Pixel Pitch | LGD 0.1 RGB(H) x 0.3(V) | |
| | | AUO 0.3(per one triad) x 0.3 | |
| 9 | Back Light | 2 CCFL | |
| 10 | Display Colors | 1.06Billion(FHD LGD),16.7M (others) | |
| 11 | Coating | 3H, AG | |

5. Chroma& Brightness

- Module optical specification

(1) LGD Module

| No. | Item | Specification | Min. | Typ. | Max. | Remark | |
|-----|-----------------------|--------------------------------|------|------|-------|--------------|--|
| 1. | Viewing Angle<CR>10> | Right/Left(Up/Down) | | 170 | | Degree | |
| 2. | Luminance | Luminance (cd/m ²) | 250 | 300 | | | |
| | | Variation | 75 | - | 1.3 | MAX /MIN | |
| 3. | Contrast Ratio | CR | 600 | 1000 | | | |
| 4. | CIE Color Coordinates | White | WX | | 0.313 | Typ ±0.03 | |
| | | | WY | | 0.392 | | |
| | | RED | Xr | | 0.642 | | |
| | | | Yr | | 0.334 | | |
| | | Green | Xg | | 0.304 | | |
| | | | Yg | | 0.608 | | |
| | | Blue | Xb | | 0.146 | | |
| | | | Yb | | 0.073 | | |

- 1) Standard Test Condition (The unit has been 'ON')
- 2) Stable for approximately 30 minutes in a dark environment at 25±2°C.
- 3) The values specified are at approximate distance 50Cm from the LCD surface
- 4) Ta=25±2°C, VLCD=12.0V, fV=60Hz, Dclk=74.25MHz VBR_A=1.65V,ExtVBR_B=100%

(2) AUO Module

| No. | Item | Specification | Min. | Typ. | Max. | Remark | |
|-----|-----------------------|--------------------------------|------|------|-------|--------------|--|
| 1. | Viewing Angle<CR>10> | Right/Left | 150 | 170 | | Degree | |
| | | Up/Down | 140 | 160 | | | |
| 2. | Luminance | Luminance (cd/m ²) | 240 | 300 | | | |
| | | Variation | 75 | - | | | |
| 3. | Contrast Ratio | CR | 600 | 1000 | | | |
| 4. | CIE Color Coordinates | White | WX | | 0.313 | Typ ±0.03 | |
| | | | WY | | 0.392 | | |
| | | RED | Xr | | 0.648 | | |
| | | | Yr | | 0.339 | | |
| | | Green | Xg | | 0.292 | | |
| | | | Yg | | 0.603 | | |
| | | Blue | Xb | | 0.143 | | |
| | | | Yb | | 0.070 | | |

- 1) Standard Test Condition (The unit has been 'ON')
- 2) Stable for approximately 30 minutes in a dark environment at 25±2°C.
- 3) The values specified are at approximate distance 50Cm from the LCD surface
- 4) Ta=25±2°C, VLCD=12.0V, fV=60Hz, Dclk=74.25MHz VBR_A=1.65V,ExtVBR_B=100%

6. Component Video Input (Y, Cb/Pb, Cr/Pr)

| No | Specification | | | | Remark |
|-----|---------------|-------------|------------|-------------------|--------|
| | Resolution | H-freq(kHz) | V-freq(Hz) | | |
| 1. | 720x480 | 15.73 | 60.00 | SDTV,DVD 480i | |
| 2. | 720x480 | 15.63 | 59.94 | SDTV,DVD 480i | |
| 3. | 720x480 | 31.47 | 59.94 | 480p | |
| 4. | 720x480 | 31.50 | 60.00 | 480p | |
| 5. | 720x576 | 15.625 | 50.00 | SDTV,DVD 625 Line | |
| 6. | 720x576 | 31.25 | 50.00 | HDTV 576p | |
| 7. | 1280x720 | 45.00 | 50.00 | HDTV 720p | |
| 8. | 1280x720 | 44.96 | 59.94 | HDTV 720p | |
| 9. | 1280x720 | 45.00 | 60.00 | HDTV 720p | |
| 10. | 1920x1080 | 31.25 | 50.00 | HDTV 1080i | |
| 11. | 1920x1080 | 33.75 | 60.00 | HDTV 1080i | |
| 12. | 1920x1080 | 33.72 | 59.94 | HDTV 1080i | |
| 13. | 1920x1080 | 56.250 | 50 | HDTV 1080p | |
| 14. | 1920x1080 | 67.5 | 60 | HDTV 1080p | |

7. RGB (PC)

| No | Specification | | | | Proposed | Remark |
|----|---------------|-------------|------------|------------------|-----------|---|
| | Resolution | H-freq(kHz) | V-freq(Hz) | Pixel Clock(MHz) | | |
| 1. | 720*400 | 31.468 | 70.08 | 28.321 | | For only DOS mode |
| 2. | 640*480 | 31.469 | 59.94 | 25.17 | VESA | Input 848*480 60Hz, 852*480 60Hz -> 640*480 60Hz Display |
| 3. | 800*600 | 37.879 | 60.31 | 40.00 | VESA | |
| 4. | 1024*768 | 48.363 | 60.00 | 65.00 | VESA(XGA) | |
| 5. | 1280*768 | 47.78 | 59.87 | 79.5 | WXGA | |
| 6. | 1360*768 | 47.72 | 59.8 | 84.75 | WXGA | |
| 7. | 1280*1024 | 63.595 | 60.0 | 108.875 | SXGA | FHD model |
| 8. | 1920*1080 | 66.587 | 59.93 | 138.625 | WUXGA | FHD model |

8. HDMI Input (PC/DTV)

(1) DTV Mode

| No | Resolution | H-freq(kHz) | V-freq.(Hz) | Pixel clock(MHz) | Proposed | Remark |
|-----|------------|---------------|---------------|------------------|------------|--------|
| 1. | 720*480 | 31.469 /31.5 | 59.94 /60 | 27.00/27.03 | SDTV 480P | |
| 2. | 720*576 | 31.25 | 50 | 54 | SDTV 576P | |
| 3. | 1280*720 | 37.500 | 50 | 74.25 | HDTV 720P | |
| 4. | 1280*720 | 44.96 /45 | 59.94 /60 | 74.17/74.25 | HDTV 720P | |
| 5. | 1920*1080 | 33.72 /33.75 | 59.94 /60 | 74.17/74.25 | HDTV 1080I | |
| 6. | 1920*1080 | 28.125 | 50.00 | 74.25 | HDTV 1080I | |
| 7. | 1920*1080 | 26.97 /27 | 23.97 /24 | 74.17/74.25 | HDTV 1080P | |
| 8. | 1920*1080 | 33.716 /33.75 | 29.976 /30.00 | 74.25 | HDTV 1080P | |
| 9. | 1920*1080 | 56.250 | 50 | 148.5 | HDTV 1080P | |
| 10. | 1920*1080 | 67.43 /67.5 | 59.94 /60 | 148.35/148.50 | HDTV 1080P | |

(2) PC Mode

| No | Resolution | H-freq(kHz) | V-freq.(Hz) | Pixel clock(MHz) | Proposed | Remark |
|----|------------|-------------|-------------|------------------|-----------|----------------|
| 1. | 720*400 | 31.468 | 70.08 | 28.321 | | HDCP |
| 2. | 640*480 | 31.469 | 59.94 | 25.17 | VESA | HDCP |
| 3. | 800*600 | 37.879 | 60.31 | 40.00 | VESA | HDCP |
| 4. | 1024*768 | 48.363 | 60.00 | 65.00 | VESA(XGA) | HDCP |
| 5. | 1280*768 | 47.78 | 59.87 | 79.5 | WXGA | HDCP |
| 6. | 1360*768 | 47.72 | 59.8 | 84.75 | WXGA | HDCP |
| 7. | 1280*1024 | 63.595 | 60.0 | 108.875 | SXGA | HDCP/FHD model |
| 8. | 1920*1080 | 67.5 | 60.00 | 138.625 | WUXGA | HDCP/FHD model |

ADJUSTMENT INSTRUCTION

1. Application Range

This specification sheet is applied to all of the LCD TV with LD91A chassis.

2. Designation

- 1) The adjustment is according to the order which is designated and which must be followed, according to the plan which can be changed only on agreeing.
- 2) Power Adjustment: Free Voltage
- 3) Magnetic Field Condition: Nil.
- 4) Input signal Unit: Product Specification Standard
- 5) Reserve after operation: Above 5 Minutes (Heat Run)
 Temperature : at 25±5°C
 Relative humidity : 65±10%
 Input voltage : 220V, 60Hz
- 6) Adjustment equipments: Color Analyzer (CA-210 or CA-110), DDC Adjustment Jig equipment, SVC remote controller
- 7) Push The "IN STOP KEY" - For memory initialization.

Case1 : Software version up

1. After downloading S/W by USB, TV set will reboot automatically
2. Push "In-stop" key
3. Push "Power on" key
4. Function inspection
5. After function inspection, Push "In-stop" key.

Case2 : Function check at the assembly line

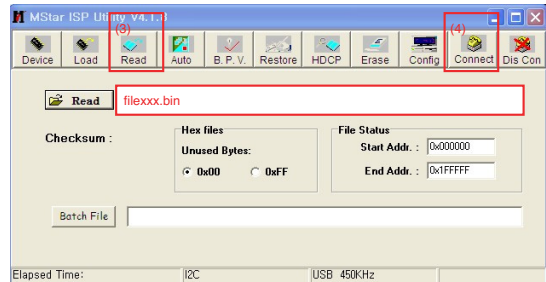
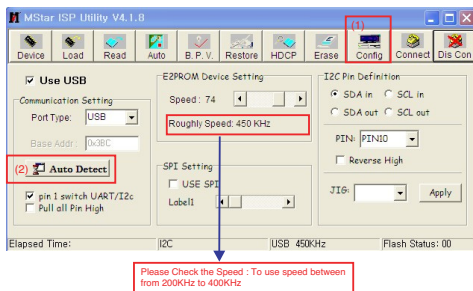
1. When TV set is entering on the assembly line, Push "In-stop" key at first.
2. Push "Power on" key for turning it on.
 -> If you push "Power on" key, TV set will recover channel information by itself.
3. After function inspection, Push "In-stop" key.

3. Main PCB check process

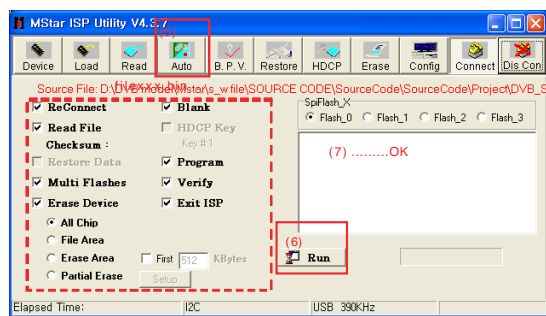
* APC - After Manual-Insult, executing APC

* Boot file Download

1. Execute ISP program "Mstar ISP Utility" and then click "Config" tab.
2. Set as below, and then click "Auto Detect" and check "OK" message
 If "Error" is displayed, Check connection between computer, jig, and set.
3. Click "Read" tab, and then load download file (XXXX.bin) by clicking "Read"

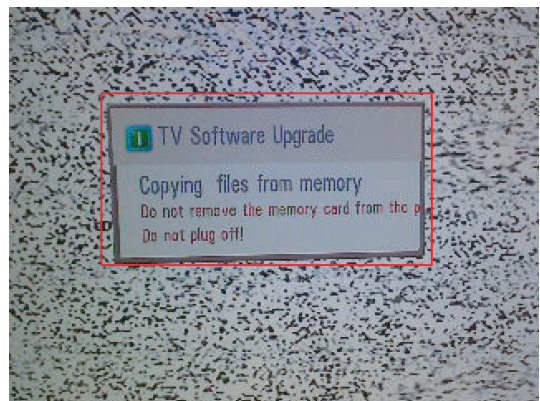


4. Click "Connect" tab. If "Can't" is displayed, check connection between computer, jig, and set.
5. Click "Auto" tab and set as below
6. Click "Run".
7. After downloading, check "OK" message.

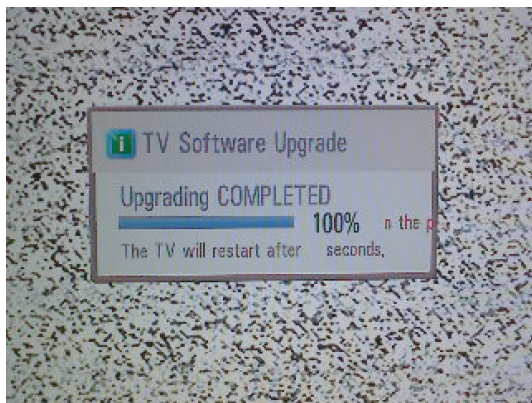
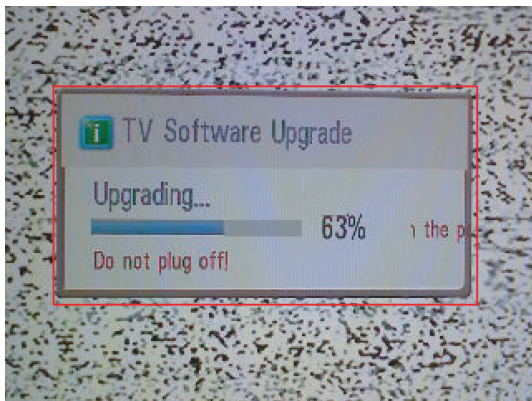


* USB DOWNLOAD

- 1) Put the USB Stick to the USB socket
- 2) Automatically detecting update file in USB Stick
 - If your downloaded program version in USB Stick is Low, it didn't work. But your downloaded version is High, USB data is automatically detecting
- 3) Show the message "Copying files from memory"



4) Updating is starting.



5) Fishing the version uploading, you have to put USB stick and "AC Power" off.

6) After putting "AC Power" on and check updated version on your TV.

* If downloading version is more high than your TV have, TV can lost all channel data. In this case, you have to channel recover. if all channel data is cleared, you didn't have a DTV/ATV test on production line.

* After downloading, have to adjust Tool Option again.

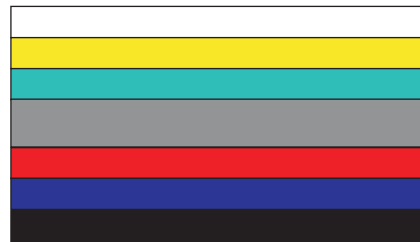
- 1) Push "IN-START" key in service remote controller
- 2) Select "Tool Option 1" and Push "OK" button.
- 3) Punch in the number. (Each model has their number)
- 4) Completed selecting Tool option.

| Model | Tool option1 | Tool option2 | Tool option3 | Tool option4 |
|---------------|--------------|--------------|--------------|--------------|
| 19LH2000(LGD) | 65 | 546 | 1440 | 3584 |
| 19LH2000(AUO) | 80 | 546 | 1440 | 3584 |

3.1. ADC Process

(1) ADC

- Input signal : Component 480i
- Signal equipment displays.



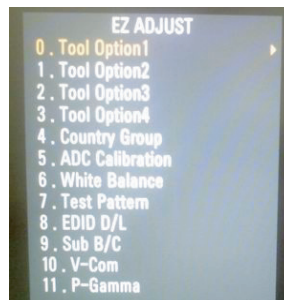
Adjustment pattern

- Component 480i

MODEL: 209 in Pattern Generator(480i Mode)

PATTERN : 65 in Pattern Generator(MSPG-925 SERIES)

- After enter Service Mode by pushing "ADJ" key,
- Enter Internal ADC mode by pushing "▶" key at "5. ADC Calibration"



<Caution> Using 'power on' button of the Adjustment R/C , power on TV.

* ADC Calibration Protocol (RS232)

| Item | CMD1 | CMD2 | Data0 | |
|---------------------|------|------|-------|--|
| Adjust 'Mode In' | A | A | 0 0 | When transfer the 'Mode In', Carry the command. |
| ADC Adjust | A | D | 1 0 | Automatically adjustment (The use of a internal pattern) |

Adjust Sequence

- aa 00 00 [Enter Adjust Mode]
 - xb 00 40 [Component1 Input (480i)]
 - ad 00 10 [Adjust 480i Comp1]
 - xb 00 60 [RGB Input (1024*768)]
 - ad 00 10 [Adjust 1024*768 RGB]
 - aa 00 90 End Adjust mode
- * Required equipment : Adjustment R/C.

3.2 Function Check

(1) Check display and sound

- Check Input and Signal items. (cf. work instructions)

1. TV
2. AV (SCART1/SCART2/ CVBS)
3. COMPONENT (480i)
4. RGB (PC : 1024 x 768 @ 60hz)
5. HDMI
6. PC Audio In

* Display and Sound check is executed by Remote controller.

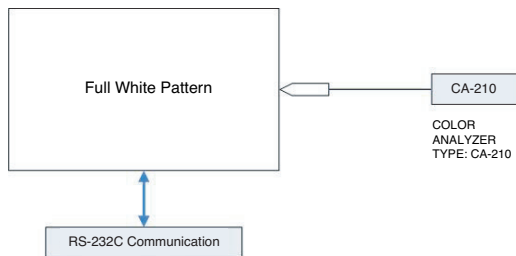
4. Total Assembly line process

4.1. Adjustment Preparation

- W/B Equipment condition
CA210 : CH 9, Test signal : Inner pattern (85IRE)
- Above 5 minutes H/run in the inner pattern. ("power on" key of adjust remote control)

| | | | | |
|--------|--------|----|-----------------|---|
| Cool | 9,300k | °K | X=0.285(±0.002) | <Test Signal> Inner pattern (216gray,85IRE) |
| | | | Y=0.293(±0.002) | |
| Medium | 8,000k | °K | X=0.295(±0.002) | |
| | | | Y=0.305(±0.002) | |
| Warm | 6,500k | °K | X=0.313(±0.002) | |
| | | | Y=0.329(±0.002) | |

- Connecting picture of the measuring instrument (On Automatic control)
Inside PATTERN is used when W/B is controlled. Connect to auto controller or push Adjustment R/C POWER ON -> Enter the mode of White-Balance, the pattern will come out



- Auto-control interface and directions
 - Adjust in the place where the influx of light like floodlight around is blocked. (illumination is less than 10ux).
 - Adhere closely the Color Analyzer (CA210) to the module less than 10cm distance, keep it with the surface of the Module and Color Analyzer's Probe vertically.(80~100°).
 - Aging time
 - After aging start, keep the power on (no suspension of power supply) and heat-run over 15minutes.
 - Using 'no signal' or 'full white pattern' or the others, check the back light on.

• Auto adjustment Map(RS-232C)

| | RS-232C COMMAND [CMD ID DATA] | | | MIN | CENTER (DEFAULT) | | | MAX |
|--------|-------------------------------|-----|------|-----|------------------|-----|------|-----|
| | Cool | Mid | Warm | | Cool | Mid | Warm | |
| R Gain | jg | Ja | jd | 00 | 172 | 192 | 192 | 255 |
| G Gain | jh | Jb | je | 00 | 172 | 192 | 192 | 255 |
| B Gain | ji | Jc | jf | 00 | 192 | 192 | 172 | 255 |
| R Cut | | | | | 64 | 64 | 64 | 128 |
| G Cut | | | | | 64 | 64 | 64 | 128 |
| B Cut | | | | | 64 | 64 | 64 | 128 |

** Caution **

Color Temperature : COOL, Medium, Warm.
One of R Gain/G Gain/ B Gain should be kept on 0xC0, and adjust other two lower than C0.
(when R/G/B Gain are all C0, it is the FULL Dynamic Range of Module)

- Manual W/B process using adjusts Remote control.
 - After enter Service Mode by pushing "ADJ" key,
 - Enter White Balance by pushing "▶" key at "3. White Balance".



- After done all adjustments, Press "In-start" button and compare Tool option and Area option value with its BOM, if it is correctly same then unplug the AC cable. If it is not same, then correct it same with BOM and unplug AC cable. For correct it to the model's module from factory JIG model.
- Push The "IN STOP KEY" after completing the function inspection.

4.2. DDC EDID Write (RGB 128Byte)

- Connect D-sub Signal Cable to D-sub Jack.
- Write EDID Data to EEPROM(24C02) by using DDC2B protocol.
- Check whether written EDID data is correct or not.
- For SVC main Ass'y, EDID have to be downloaded to Insert Process in advance.

4.3. DDC EDID Write (HDMI 256Byte)

- Connect HDMI Signal Cable to HDMI Jack.
- Write EDID Data to EEPROM(24C02) by using DDC2B protocol.
- Check whether written EDID data is correct or not.
- For SVC main Ass'y, EDID have to be downloaded to Insert Process in advance.

4.4. EDID DATA

- All Data : HEXA Value
- Changeable Data :
 - *: Serial No : Controlled / Data:01
 - ** : Month : Controlled / Data:00
 - ***:Year : Controlled
 - ****:Check sum

- Auto Download

- After enter Service Mode by pushing “ADJ” key,
- Enter EDID D/L mode.
- Enter “START” by pushing “OK” key.



* Edid data and Model option download (RS232)

| Item | CMD1 | CMD2 | Data0 | |
|-----------------------|------|------|-------|---|
| Download 'Mode In' | A | A | 0 0 | When transfer the 'Mode In', Carry the command. |
| Download | A | E | 00 10 | Automatically Download (The use of a internal pattern) |

- Manual Download

* Caution

- 1) Use the proper signal cable for EDID Download
 - Analog EDID : Pin3 exists
 - Digital EDID : Pin3 exists
- 2) Never connect HDMI & D-sub Cable at the same time.
- 3) Use the proper cables below for EDID Writing
- 4) Download HDMI1, HDMI2, separately because HDMI1 is different from HDMI3

| For Analog EDID | For HDMI EDID | |
|-----------------|-------------------------------|--|
| D-sub to D-sub | DVI-D to HDMI or HDMI to HDMI | |
| | | |

| No. | Item | Condition | Hex Data |
|-----|-----------------|-------------|----------|
| 1 | Manufacturer ID | GSM | 1E6D |
| 2 | Version | Digital : 1 | 01 |
| 3 | Revision | Digital : 3 | 03 |

(1) Analog Data 128Byte (2Bi)

| | 0 | 1 | 2 | 3 | 4 | 5 | 6 | 7 | 8 | 9 | A | B | C | D | E | F | |
|----|----|----|----|----|----|----|----|----|----|----|----|----|----|----|----|----|---|
| 00 | 00 | FF | FF | FF | FF | FF | FF | 00 | 1E | 6D | a | | b | | | | |
| 10 | c | 01 | 03 | 68 | 73 | 41 | 78 | 0A | CF | 74 | A3 | 57 | 4C | B0 | 23 | | |
| 20 | 09 | 48 | 4C | A1 | 08 | 00 | 81 | C0 | 61 | 40 | 45 | 40 | 31 | 40 | 01 | 01 | |
| 30 | 01 | 01 | 01 | 01 | 01 | 01 | 66 | 21 | 50 | B0 | 51 | 00 | 1B | 30 | 40 | 70 | |
| 40 | 36 | 00 | 7E | 8A | 42 | 00 | 00 | 1E | 01 | 1D | 00 | 72 | 51 | D0 | 1E | 20 | |
| 50 | 6E | 28 | 55 | 00 | 7E | 8A | 42 | 00 | 00 | 1E | 00 | 00 | 00 | FD | 00 | 3A | |
| 60 | 3E | 1F | 46 | 10 | 00 | 0A | 20 | 20 | 20 | 20 | 20 | d | | | | | |
| 70 | d | | | | | | | | | | | | | | | 00 | e |
| 80 | FF | FF | FF | FF | FF | FF | FF | FF | FF | FF | FF | FF | FF | FF | FF | FF | |
| 90 | FF | FF | FF | FF | FF | FF | FF | FF | FF | FF | FF | FF | FF | FF | FF | FF | |
| A0 | FF | FF | FF | FF | FF | FF | FF | FF | FF | FF | FF | FF | FF | FF | FF | FF | |
| B0 | FF | FF | FF | FF | FF | FF | FF | FF | FF | FF | FF | FF | FF | FF | FF | FF | |
| C0 | FF | FF | FF | FF | FF | FF | FF | FF | FF | FF | FF | FF | FF | FF | FF | FF | |
| D0 | FF | FF | FF | FF | FF | FF | FF | FF | FF | FF | FF | FF | FF | FF | FF | FF | |
| E0 | FF | FF | FF | FF | FF | FF | FF | FF | FF | FF | FF | FF | FF | FF | FF | FF | |
| F0 | FF | FF | FF | FF | FF | FF | FF | FF | FF | FF | FF | FF | FF | FF | FF | FF | |

(2) DIGITAL DATA(HDMI-1/2/3/4) 256Byte

| | 0 | 1 | 2 | 3 | 4 | 5 | 6 | 7 | 8 | 9 | A | B | C | D | E | F | |
|----|----|----|----|----|----|----|----|----|----|----|----|----|----|----|----|----|---|
| 00 | 00 | FF | FF | FF | FF | FF | FF | 00 | 1E | 6D | a | | b | | | | |
| 10 | c | 01 | 03 | 80 | 73 | 41 | 78 | 0A | CF | 74 | A3 | 57 | 4C | B0 | 23 | | |
| 20 | 09 | 48 | 4C | A1 | 08 | 00 | 81 | C0 | 61 | 40 | 45 | 40 | 31 | 40 | 01 | 01 | |
| 30 | 01 | 01 | 01 | 01 | 01 | 01 | 66 | 21 | 50 | B0 | 51 | 00 | 1B | 30 | 40 | 70 | |
| 40 | 36 | 00 | 7E | 8A | 42 | 00 | 00 | 1E | 01 | 1D | 00 | 72 | 51 | D0 | 1E | 20 | |
| 50 | 6E | 28 | 55 | 00 | 7E | 8A | 42 | 00 | 00 | 1E | 00 | 00 | 00 | FD | 00 | 3A | |
| 60 | 3E | 1F | 46 | 10 | 00 | 0A | 20 | 20 | 20 | 20 | 20 | d | | | | | |
| 70 | d | | | | | | | | | | | | | | | 01 | e |
| 80 | 02 | 03 | 20 | F1 | 4E | 10 | 1F | 84 | 13 | 05 | 14 | 03 | 02 | 12 | 20 | 21 | |
| 90 | 22 | 15 | 01 | 26 | 15 | 07 | 50 | 09 | 57 | 07 | f | | | | | | |
| A0 | f | 80 | 18 | 71 | 1C | 16 | 20 | 58 | 2C | 25 | 00 | 7E | 8A | 42 | 00 | | |
| B0 | 00 | 9E | 01 | 1D | 00 | 80 | 51 | D0 | 0C | 20 | 40 | 80 | 35 | 00 | 7E | 8A | |
| C0 | 42 | 00 | 00 | 1E | 8C | 0A | D0 | 8A | 20 | E0 | 2D | 10 | 10 | 3E | 96 | 00 | |
| D0 | 7E | 8A | 42 | 00 | 00 | 18 | 02 | 3A | 80 | 18 | 71 | 38 | 2D | 40 | 58 | 2C | |
| E0 | 45 | 00 | 7E | 8A | 42 | 00 | 00 | 1E | 01 | 1D | 80 | D0 | 72 | 1C | 16 | 20 | |
| F0 | 10 | 2C | 25 | 80 | 7E | 8A | 42 | 00 | 00 | 9E | 00 | 00 | 00 | 00 | 00 | D5 | |

* Detail EDID Options are below

Product ID

| Model Name | HEX | EDID Table | DDC Function |
|------------|------|------------|----------------|
| FHD Model | 0001 | 01 00 | Analog/Digital |
| HD Model | 0000 | 00 00 | Analog/Digital |

Serial No: Controlled on production line.

Month, Year: Controlled on production line:

ex) Monthly : '09' -> '09'

Year : '2006' -> '10'

Model Name(Hex):

| MODEL | MODEL NAME(HEX) |
|-------|--|
| all | 00 00 00 FC 00 4C 47 20 54 56 0A 20 20 20 20 20 20 |

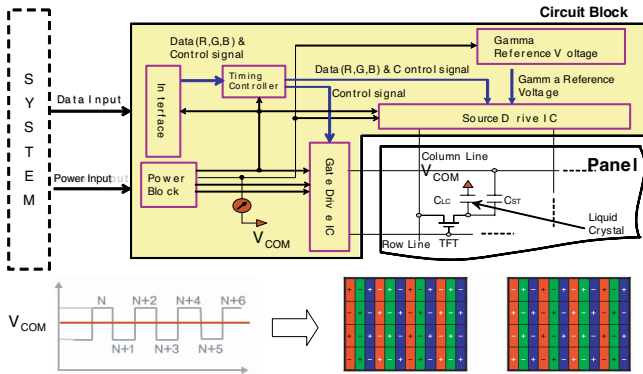
Checksum: Changeable by total EDID data.

Vendor Specific(HDMI)

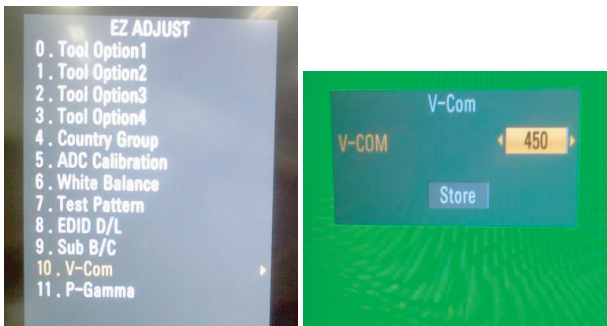
| INPUT | MODEL NAME(HEX) |
|-------|------------------|
| HDMI1 | 67030C001000011D |
| HDMI2 | 67030C002000011D |
| HDMI3 | 67030C003000011D |

4.5. V-COM Adjust(Only 37/42/47LH4000-ZA)

- Why need Vcom adjustment?
 - The Vcom (Common Voltage) is a Reference Voltage of Liquid Crystal Driving.
- > Liquid Crystal need for Polarity Change with every frame.



- Adjust sequence
 - After enter Service Mode by pushing “ADJ” key.
 - Enter V-Com Adjust mode by pushing “▶” key at “10. V-Com”
 - As pushing the right or the left button on the remote controller, Find the V-COM value that is stopped the Flicker.
 - If there is no flicker at default value, turn down or turn up at least 20 step and check the flicker. Then go to the default value.



(Visual Adjust and control the Voltage level)

- Push the store button by “OK” key in the ADJ remocn.

4.6. Outgoing condition Configuration

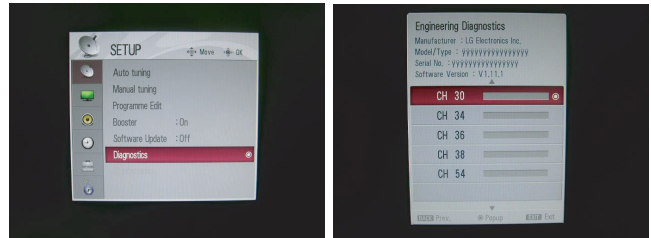
- When pressing IN-STOP key by SVC remocn, Red LED are blinked alternatively. And then Automatically turn off. (Must not AC power OFF during blinking)

4.7. Internal pressure

Confirm whether is normal or not when between power board's ac block and GND is impacted on 1.5kV(dc) or 2.2kV(dc) for one second

5. Serial number D/L

- press “Power on” key of service remocn. (Baud rate : 115200 bps)
- Connect RS232 Signal Cable to RS-232 Jack.
- Write Serial number by use RS-232.
- Must check the serial number at the Diagnostics of SET UP menu. (Refer to below).



5.1. Signal TABLE

| CMD | LENGTH | ADH | ADL | DATA_1 | ... | Data_n | CS | DELAY |
|-----|--------|-----|-----|--------|-----|--------|----|-------|
|-----|--------|-----|-----|--------|-----|--------|----|-------|

CMD : A0h
 LENGTH : 85~94h (1~16 bytes)
 ADH : EEPROM Sub Address high (00~1F)
 ADL : EEPROM Sub Address low (00~FF)
 Data : Write data
 CS : CMD + LENGTH + ADH + ADL + Data_1 + ... + Data_n
 Delay : 20ms

5.2. Command Set

| No. | Adjust mode | CMD(hex) | LENGTH(hex) | Description |
|-----|--------------|----------|-------------|--------------------------|
| 1 | EEPROM WRITE | A0h | 84h+n | n-bytes Write (n = 1~16) |

* Description
 FOS Default write : <7mode data> write
 Vtotal, V_Frequency, Sync_Polarity, Htotal, Hstart, Vstart, 0, Phase
 Data write : Model Name and Serial Number write in EEPROM,.

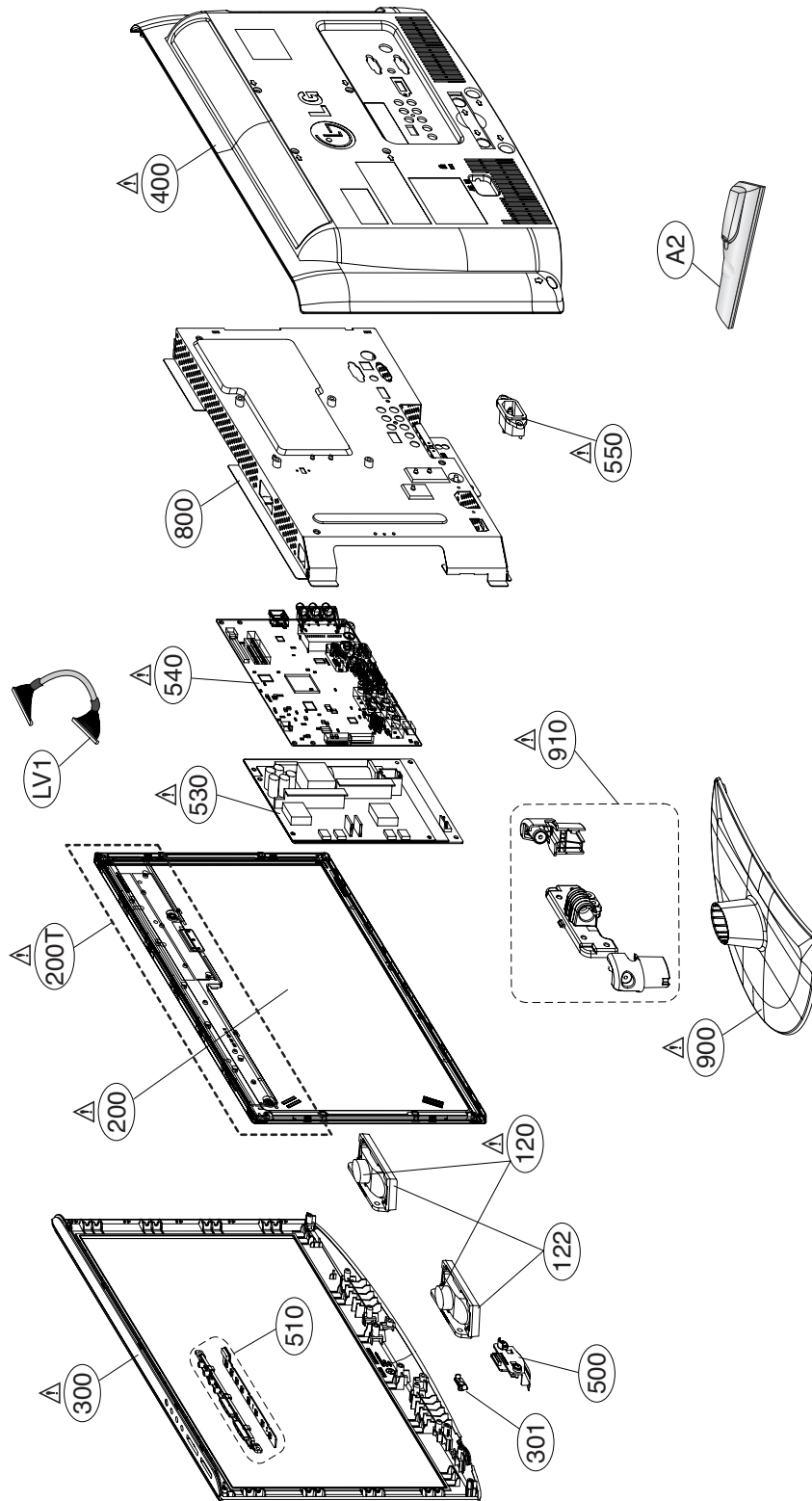
5.3. method & notice

- Serial number D/L is using of scan equipment.
- Setting of scan equipment operated by Manufacturing Technology Group.
- Serial number D/L must be conformed when it is produced in production line, because serial number D/L is mandatory by D-book 4.0.

EXPLODED VIEW

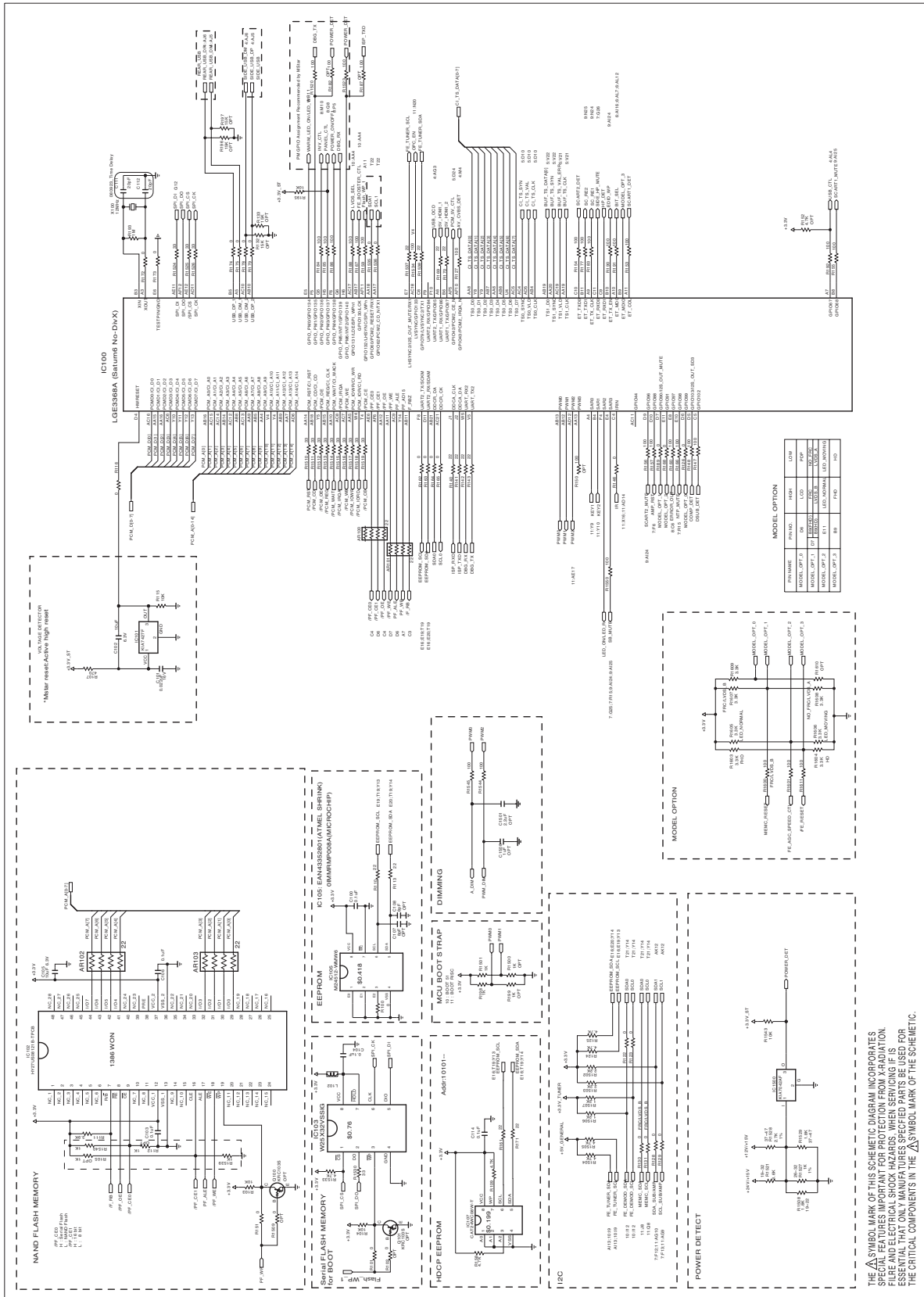
IMPORTANT SAFETY NOTICE

Many electrical and mechanical parts in this chassis have special safety-related characteristics. These parts are identified by Δ in the Schematic Diagram and EXPLODED VIEW. It is essential that these special safety parts should be replaced with the same components as recommended in this manual to prevent X-RADIATION, Shock, Fire, or other Hazards. Do not modify the original design without permission of manufacturer.



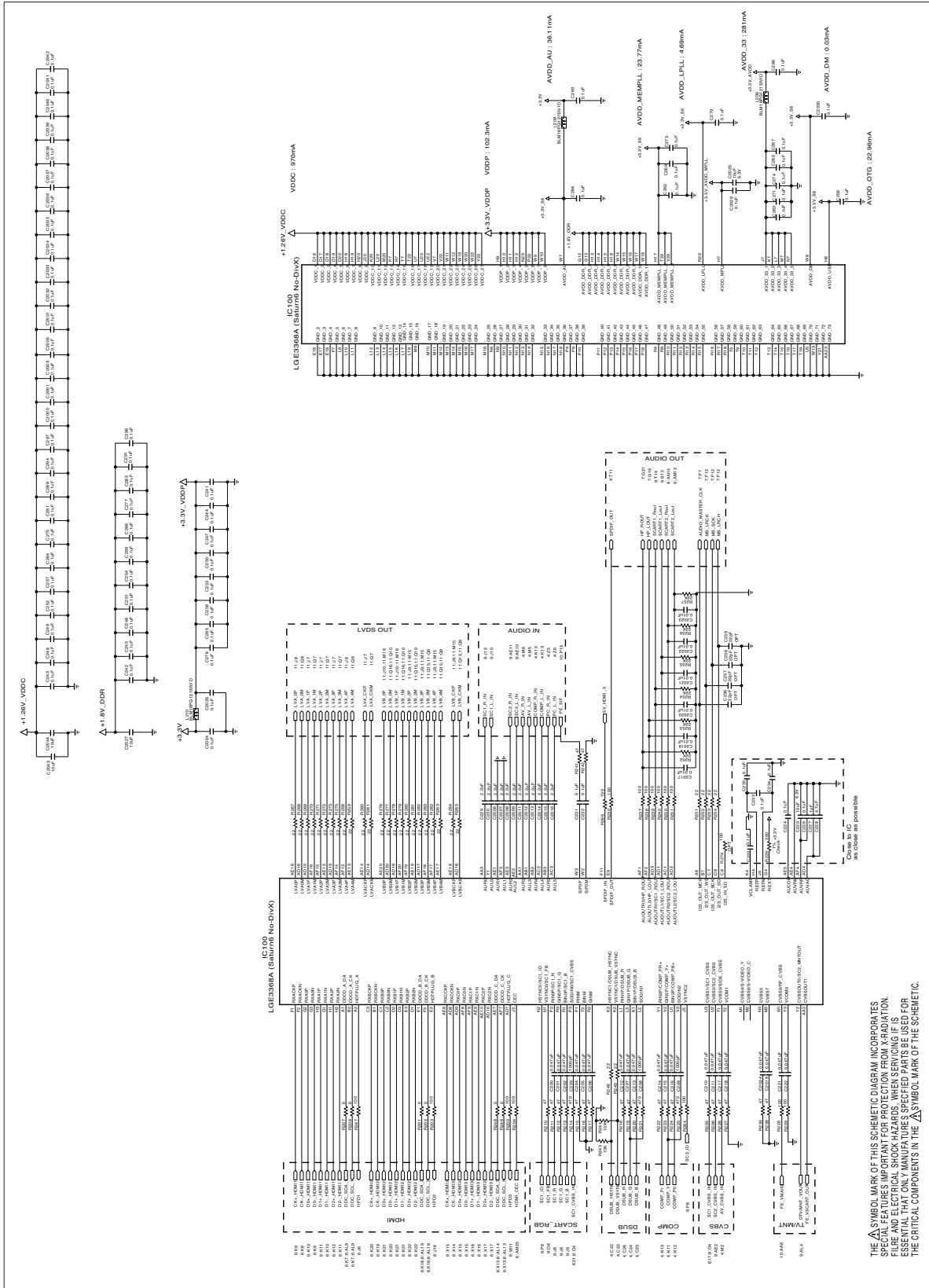
SCHEMATIC DIAGRAM

MAIN 1



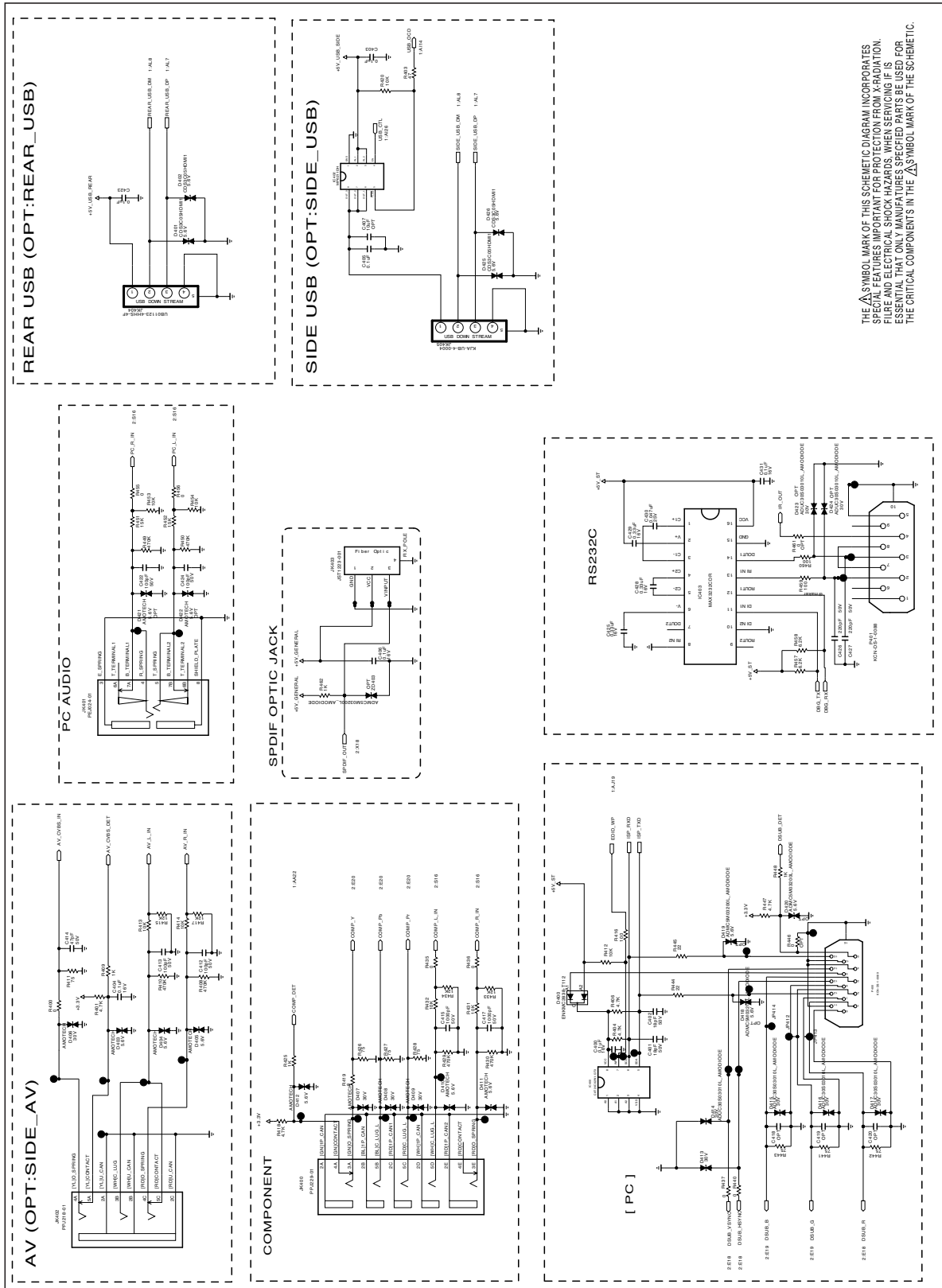
THE SYMBOL MARK OF THIS SCHEMATIC DIAGRAM INCORPORATES SPECIAL FEATURES IMPORTANT FOR PROTECTION FROM X-RADIATION, FIRE AND ELECTRICAL SHOCK HAZARDS. WHEN SERVICING IF IS ESSENTIAL THAT ONLY MANUFACTURER SPECIFIED PARTS BE USED FOR THE CRITICAL COMPONENTS IN THE SYMBOL MARK OF THE SCHEMATIC.

MAIN2



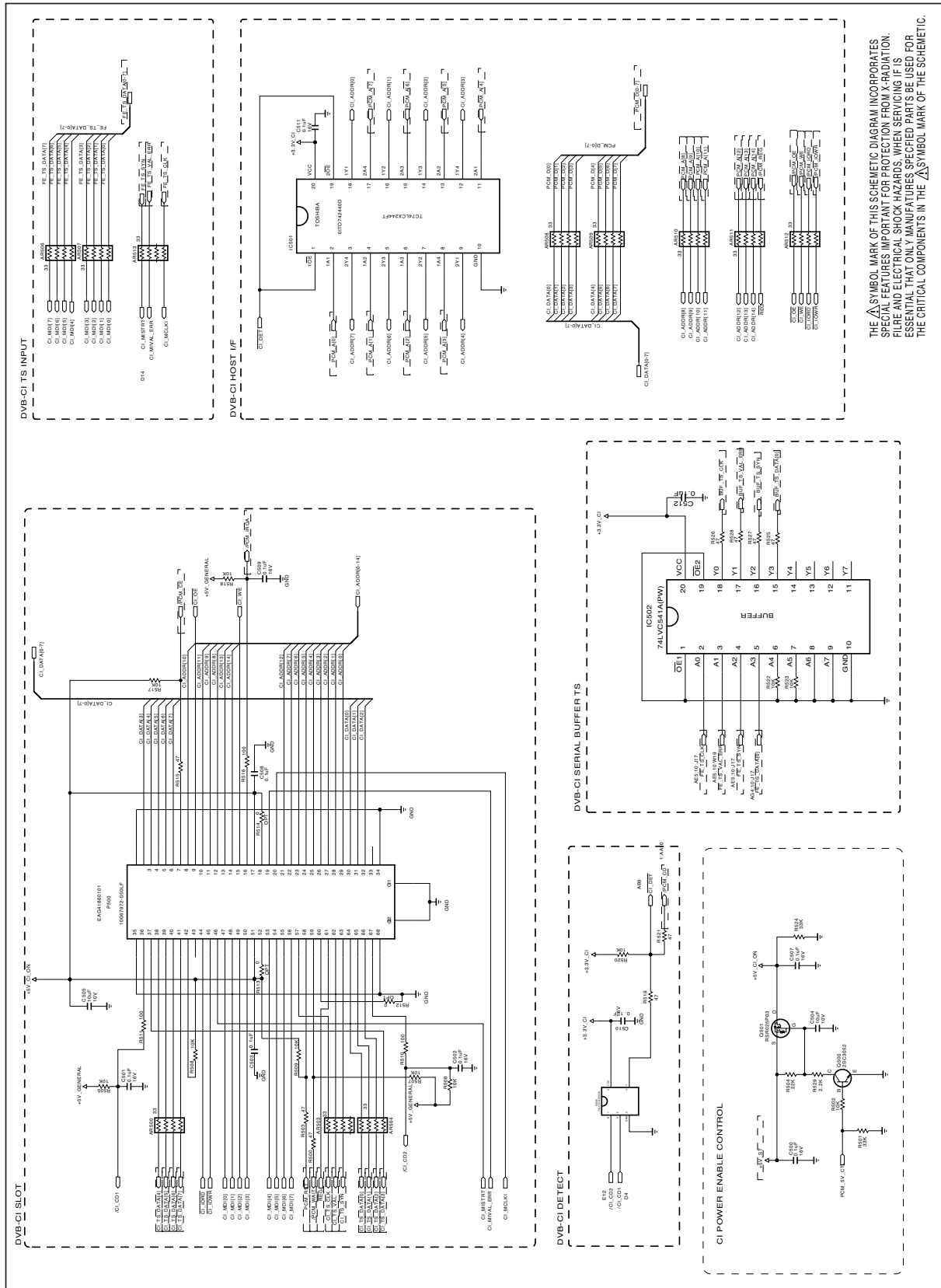
THE SYMBOL MARK OF THIS SCHEMATIC DIAGRAM INCORPORATES SPECIAL FEATURES IMPORTANT FOR PROTECTION FROM X-RADIATION, FLAME AND ELECTRICAL SHOCK HAZARDS. WHEN SERVISING IT IS ESSENTIAL TO TAKE INTO ACCOUNT THE SYMBOL MARKS FOR THE CRITICAL COMPONENTS IN THE SYMBOL MARK OF THE SCHEMATIC.

INTERFACE



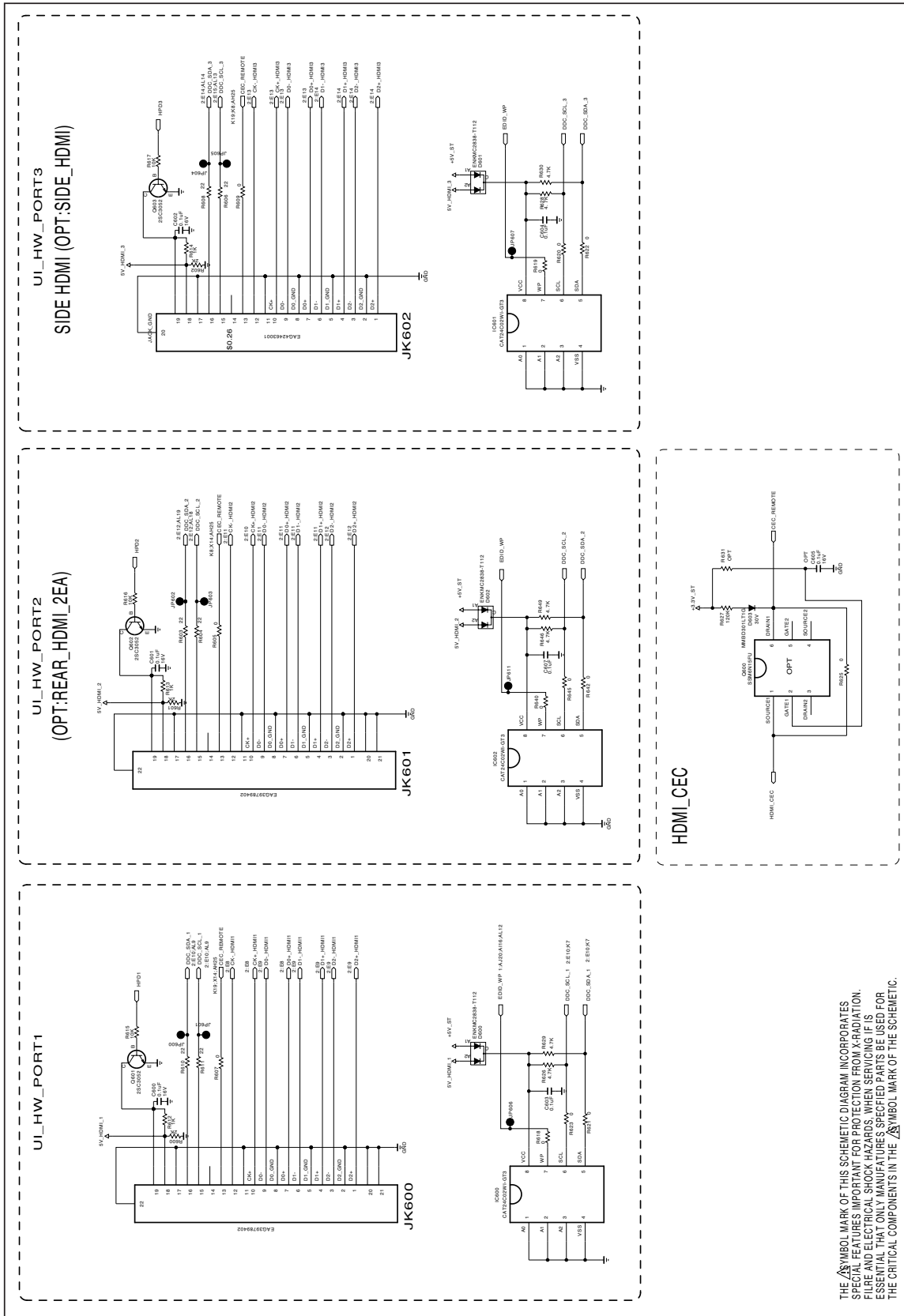
THE SYMBOL MARK OF THIS SCHEMATIC DIAGRAM INCORPORATES SPECIAL FEATURES IMPORTANT FOR PROTECTION FROM X-RADIATION, FILRE AND ELECTRICAL SHOCK HAZARDS. WHEN SERVING IF IS ESSENTIAL THAT ONLY MANUFACTURES SPECIFIED PARTS BE USED FOR THE CRITICAL COMPONENTS IN THE SYMBOL MARK OF THE SCHEMATIC.

PCMCIA



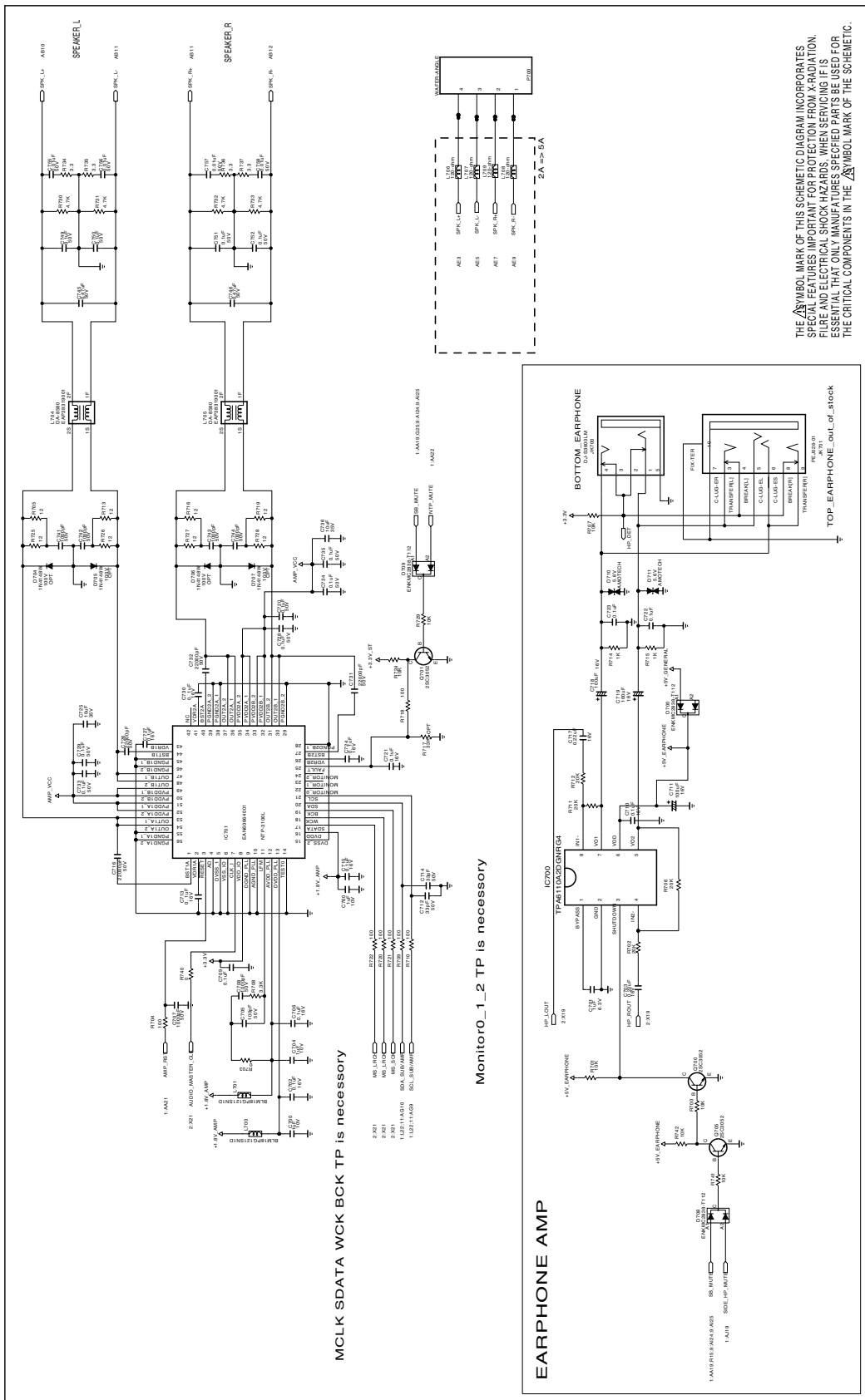
THE SYMBOL MARK OF THIS SCHEMATIC DIAGRAM INCORPORATES SPECIAL FEATURES IMPORTANT FOR PROTECTION FROM X-RADIATION, FIRE AND ELECTRICAL SHOCK HAZARDS. WHEN SERVICING IF IS ESSENTIAL THAT ONLY MANUFACTURES SPECIFIED PARTS BE USED FOR THE CRITICAL COMPONENTS IN THE SYMBOL MARK OF THE SCHEMATIC.

HDMI



THE SYMBOL MARK OF THIS SCHEMATIC DIAGRAM INCORPORATES SPECIAL FEATURES IMPORTANT FOR PROTECTION FROM X-RADIATION, FIBRE AND ELECTRICAL SHOCK HAZARDS. WHEN SERVICING, IT IS ESSENTIAL THAT ONLY MANUFACTURER-SPECIFIED PARTS BE USED FOR THE CRITICAL COMPONENTS IN THE SYMBOL MARK OF THE SCHEMATIC.

AMP



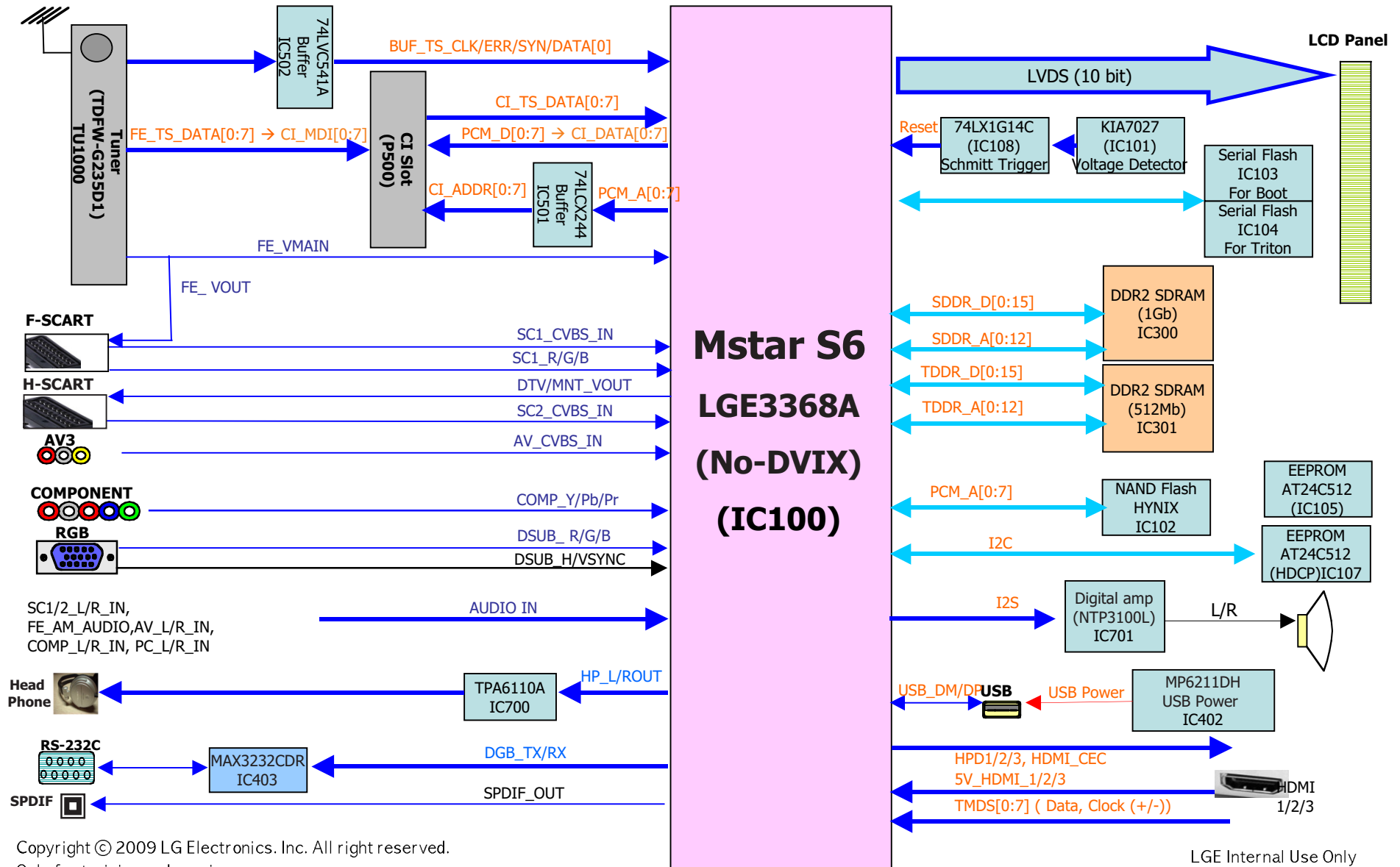


Block diagram

Main Block

- 19/22/26/32/37/42LH2000
- 32/37/42/47LH3000
- 32/37/42/47LH4000

Block Diagram



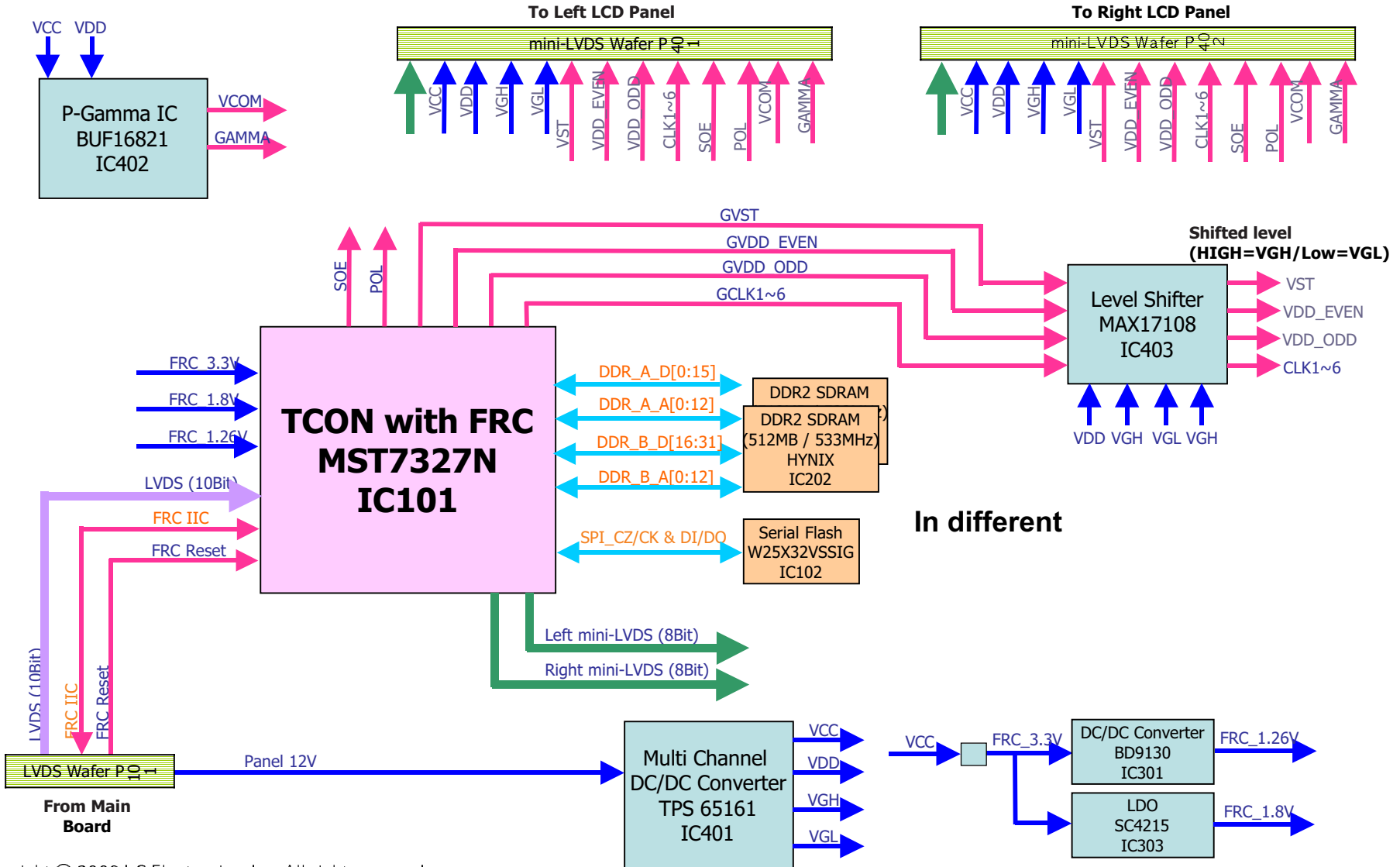
Block diagram

M+S T-Con Block

Only for 37LH4000

*M+S : Main B/D + T-con B/D

37 GIP Block Diagram



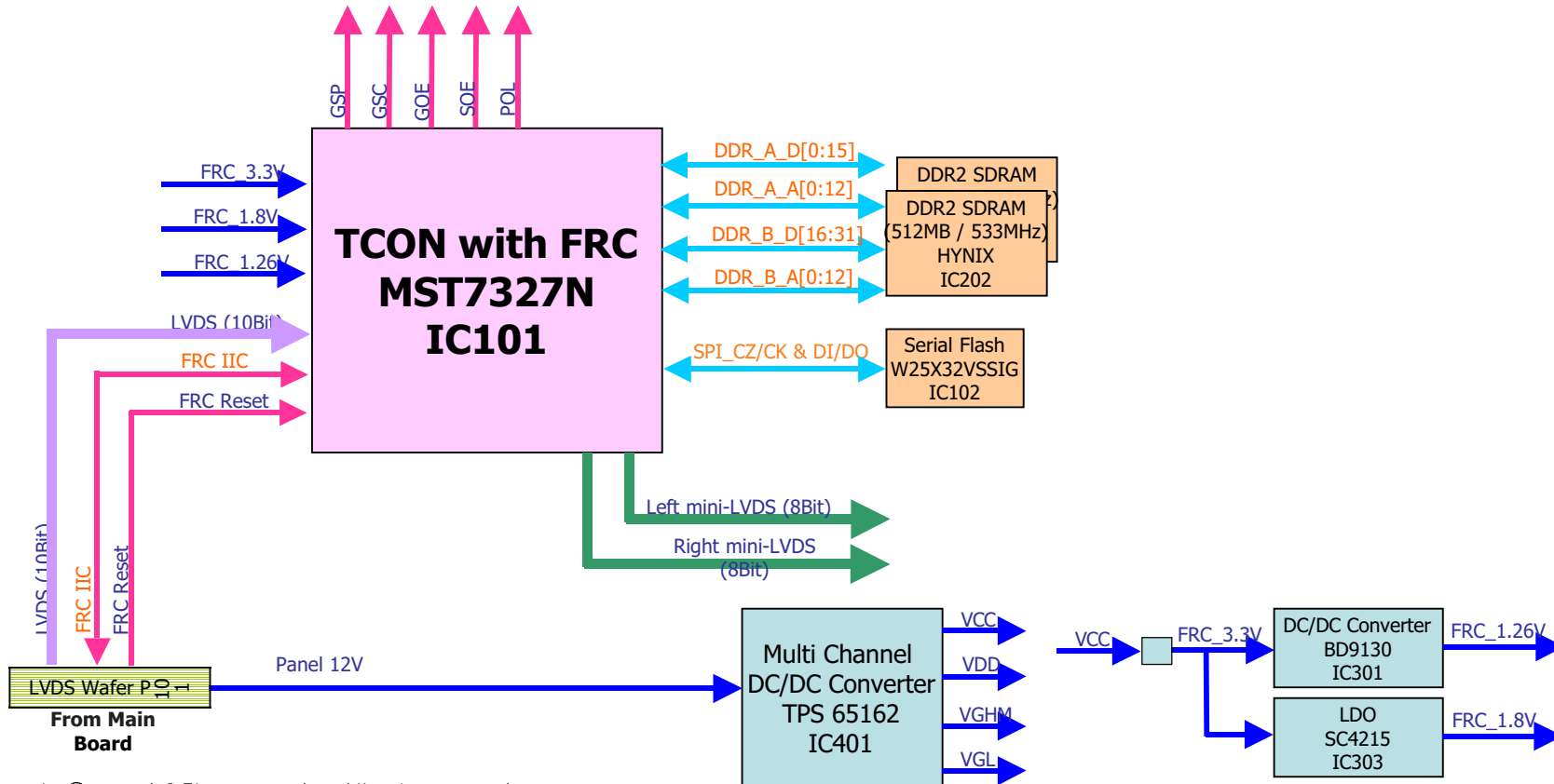
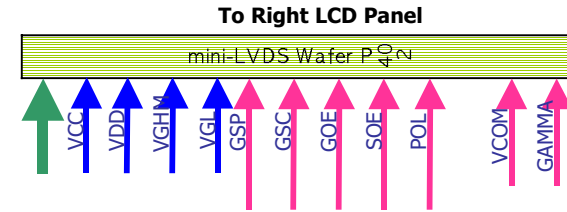
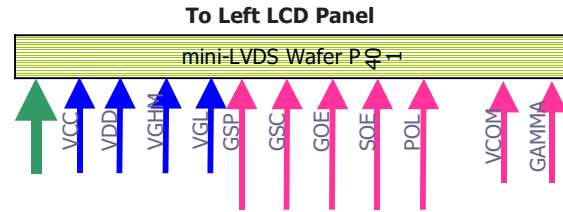
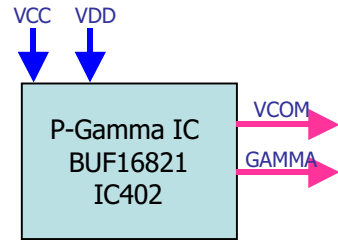
Block diagram

M+S T-Con Block

Only for 42/47LH4000

*M+S : Main B/D + T-con B/D

42/47 Normal Block Diagram



Contents of LCD TV Standard Repair Process

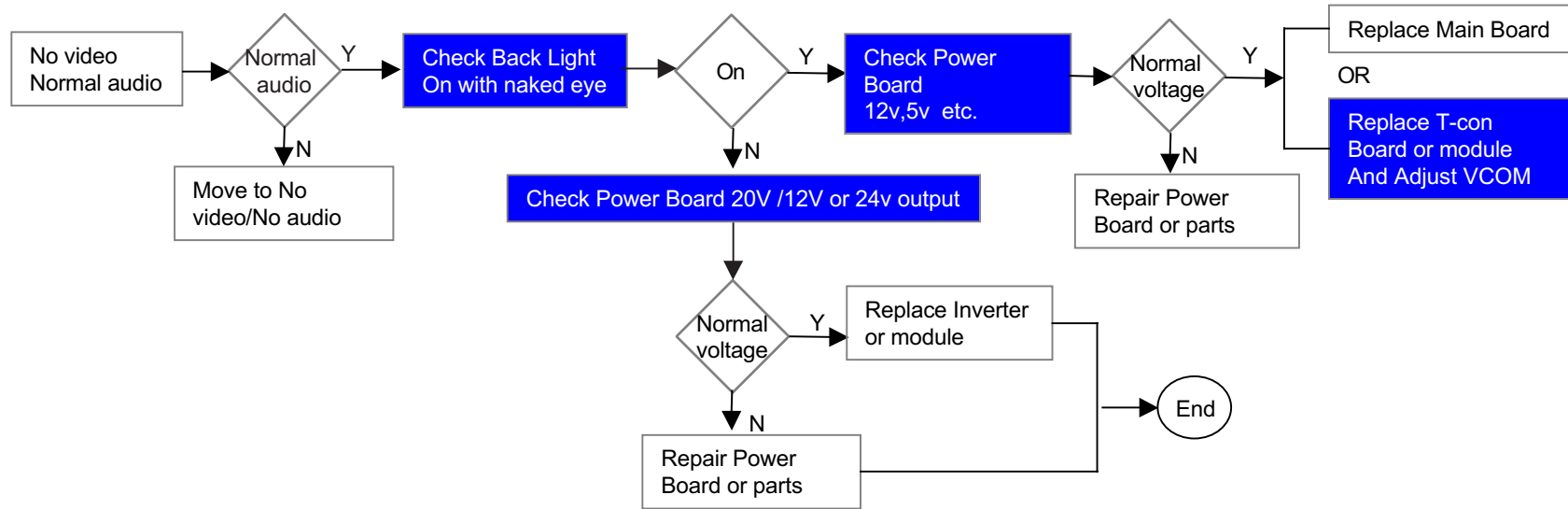
| No. | Error symptom (High category) | Error symptom (Mid category) | Page | Remarks |
|-----|-------------------------------|--|------|---------|
| 1 | A. Video error | No video/Normal audio | 1 | |
| 2 | | No video/No audio | 2 | |
| 3 | | Video error, video lag/stop | 3 | |
| 4 | | Color error | 4 | |
| 5 | | Vertical/Horizontal bar, residual image, light spot, external device color error | 5 | |
| 6 | B. Power error | No power | 6 | |
| 7 | | Off when on, off while viewing, power auto on/off | 7 | |
| 8 | C. Audio error | No audio/Normal video | 8 | |
| 9 | | Wrecked audio/discontinuation/noise | 9 | |
| 10 | D. Function error | No response in remote controller, key error, recording error, memory error | 10 | |
| 11 | | External device recognition error | 11 | |
| 12 | E. Noise | Circuit noise, mechanical noise | 12 | |
| 13 | F. Exterior error | Exterior defect | 13 | |

First of all, Check whether there is SVC Bulletin in GCSC System for these model.

Standard Repair Process

| | | | | | |
|--------|---------------|------------------------|------------------|-------------|------|
| LCD TV | Error symptom | A. Video error | Established date | 2008. 3 .05 | |
| | | No video/ Normal audio | Revised date | | 1/13 |

**First of all, Check whether all of cables between board is inserted properly or not.
(Main B/D↔ Power B/D, LVDS Cable, Speaker Cable, IR B/D Cable,,)**

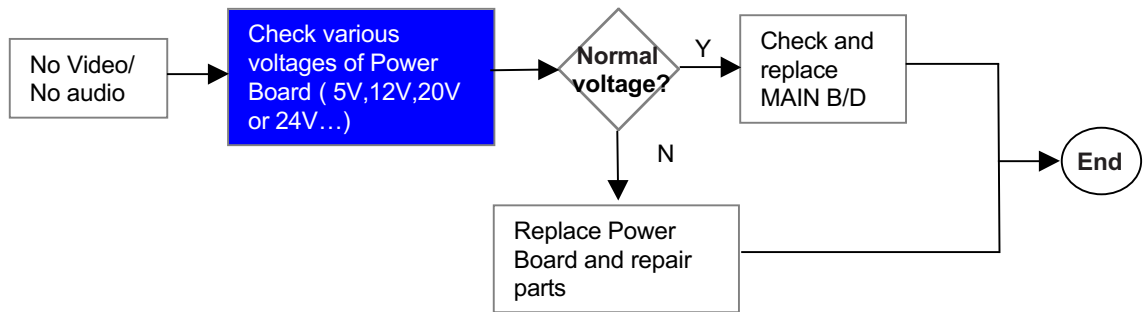


※ Precaution



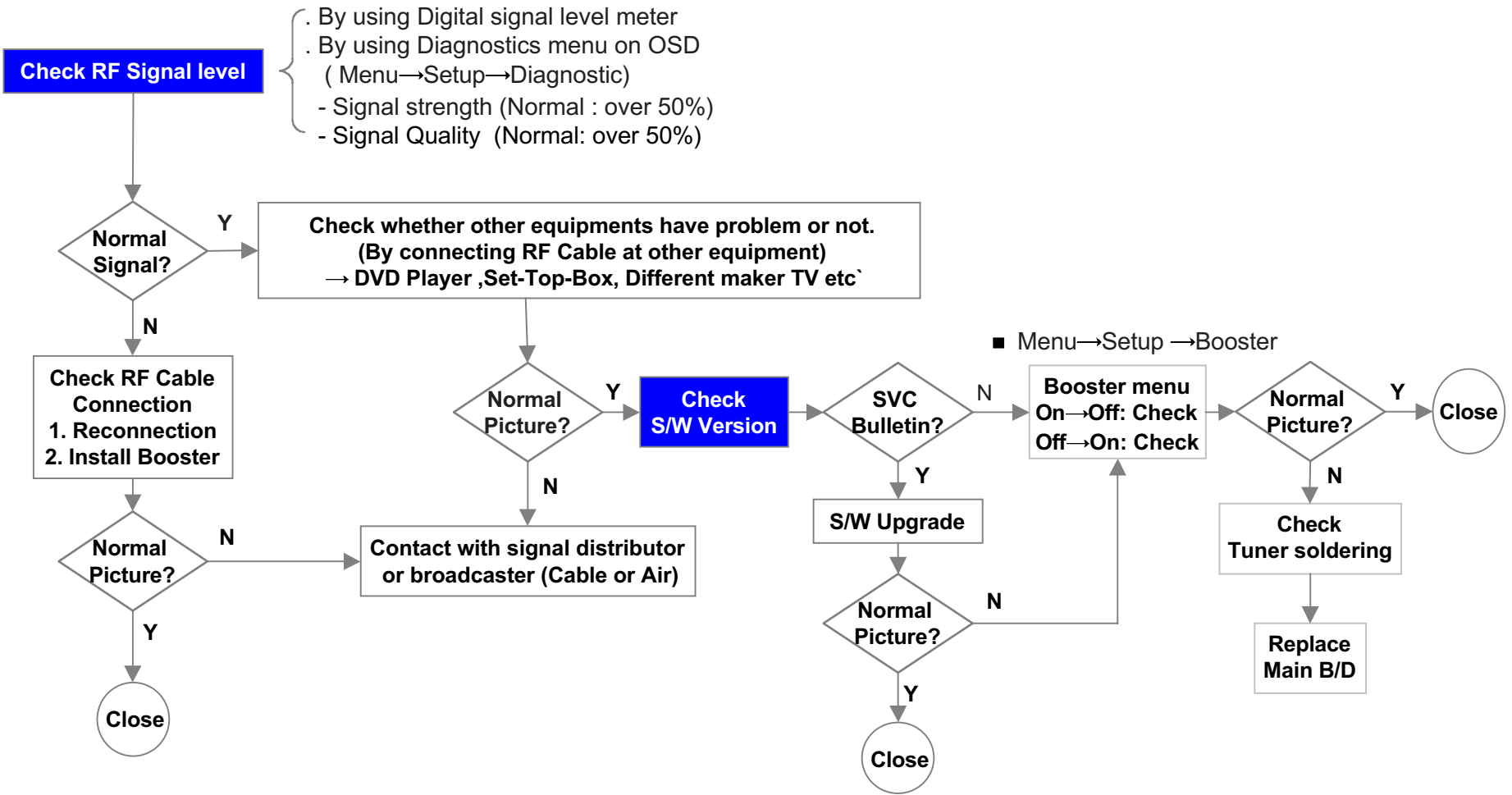
Standard Repair Process

| | | | | | |
|--------|---------------|--------------------|------------------|-------------|------|
| LCD TV | Error symptom | A. Video error | Established date | 2008. 3 .05 | |
| | | No video/ No audio | Revised date | | 2/13 |

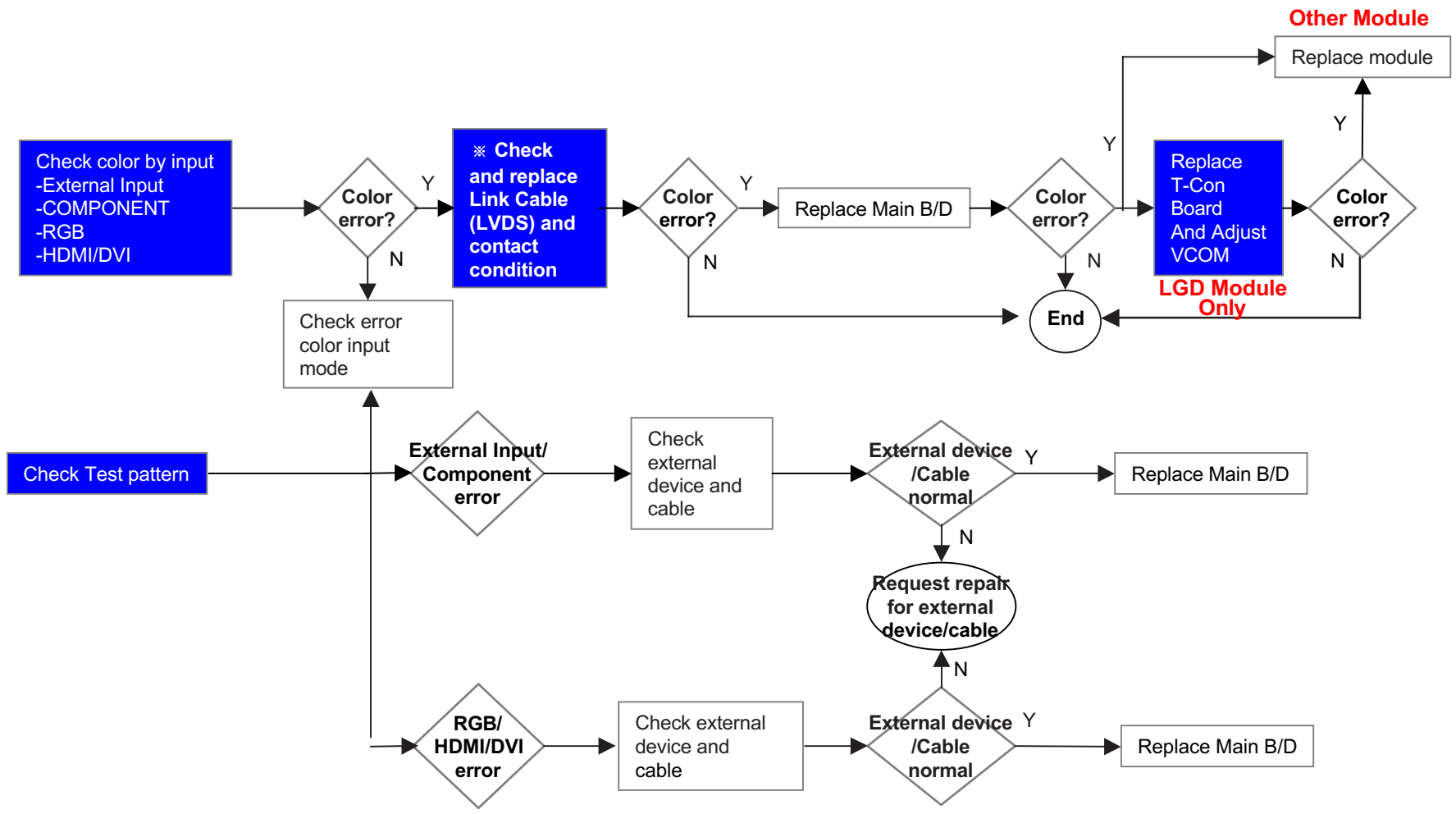


Standard Repair Process

| | | | | | |
|--------|---------------|--------------------------|------------------|-------------|------|
| LCD TV | Error symptom | A. Picture Problem | Established date | 2008. 3 .05 | |
| | | Picture broken/ Freezing | Revised date | | 3/13 |

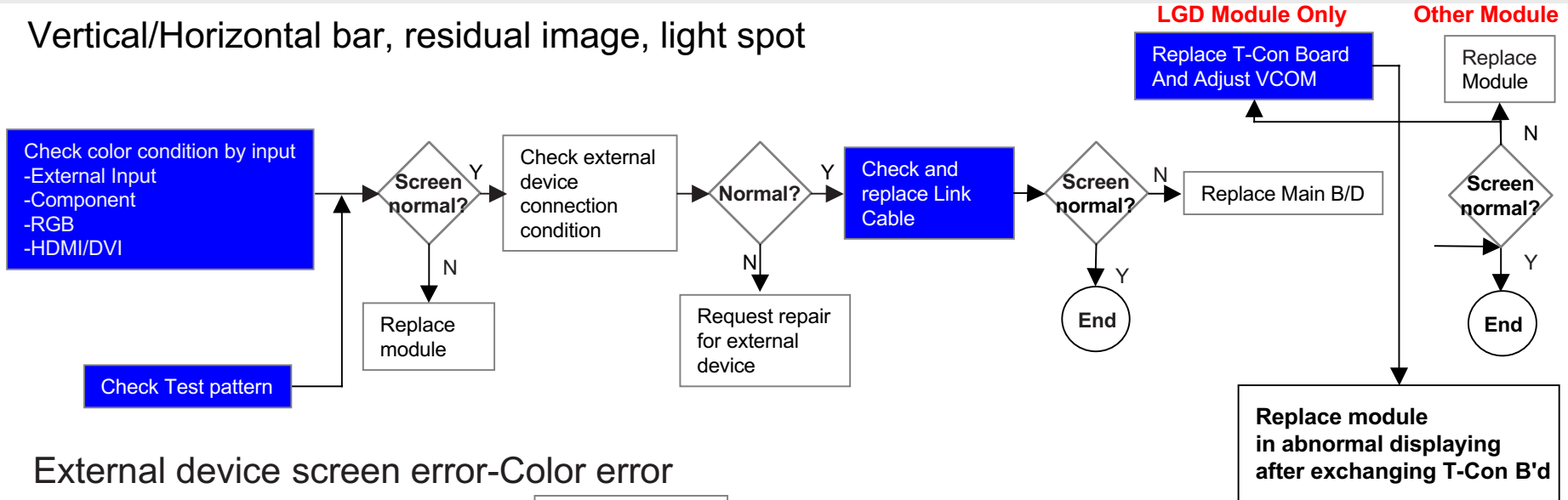


| Standard Repair Process | | | | |
|-------------------------|---------------|----------------|------------------|-------------|
| LCD TV | Error symptom | A. Video error | Established date | 2008. 3 .05 |
| | | Color error | Revised date | 4/13 |

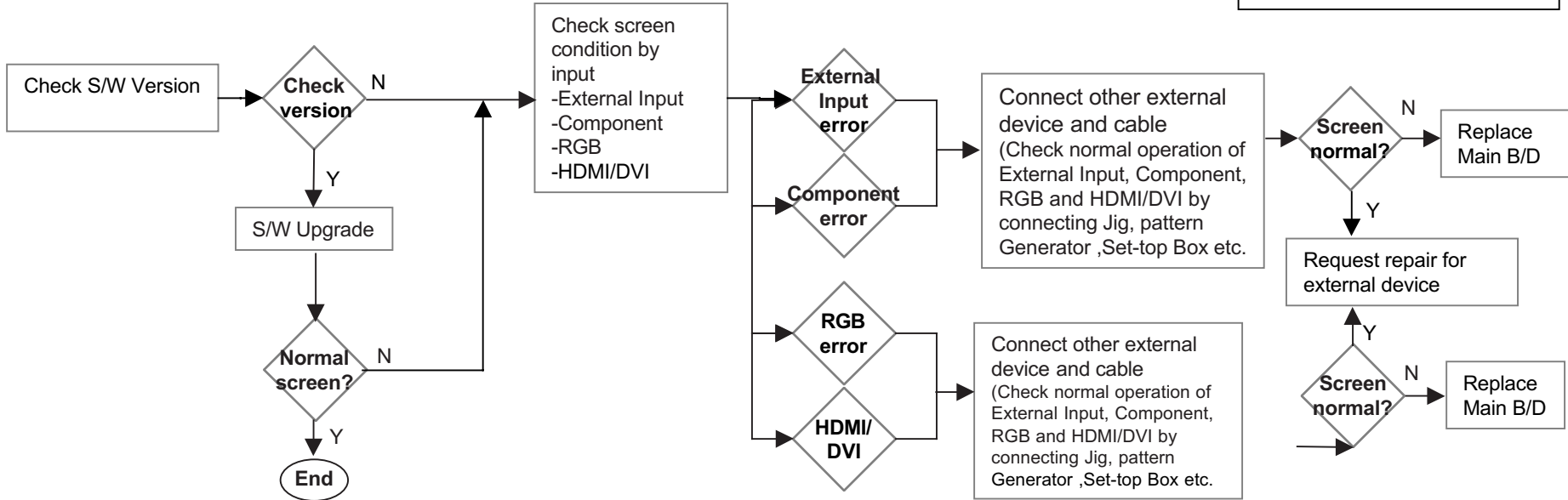


| Standard Repair Process | | | | |
|-------------------------|---------------|--|------------------|-------------|
| LCD TV | Error symptom | A. Video error | Established date | 2008. 3 .05 |
| | | Vertical / Horizontal bar, residual image, light spot, external device color error | Revised date | 5/13 |

Vertical/Horizontal bar, residual image, light spot

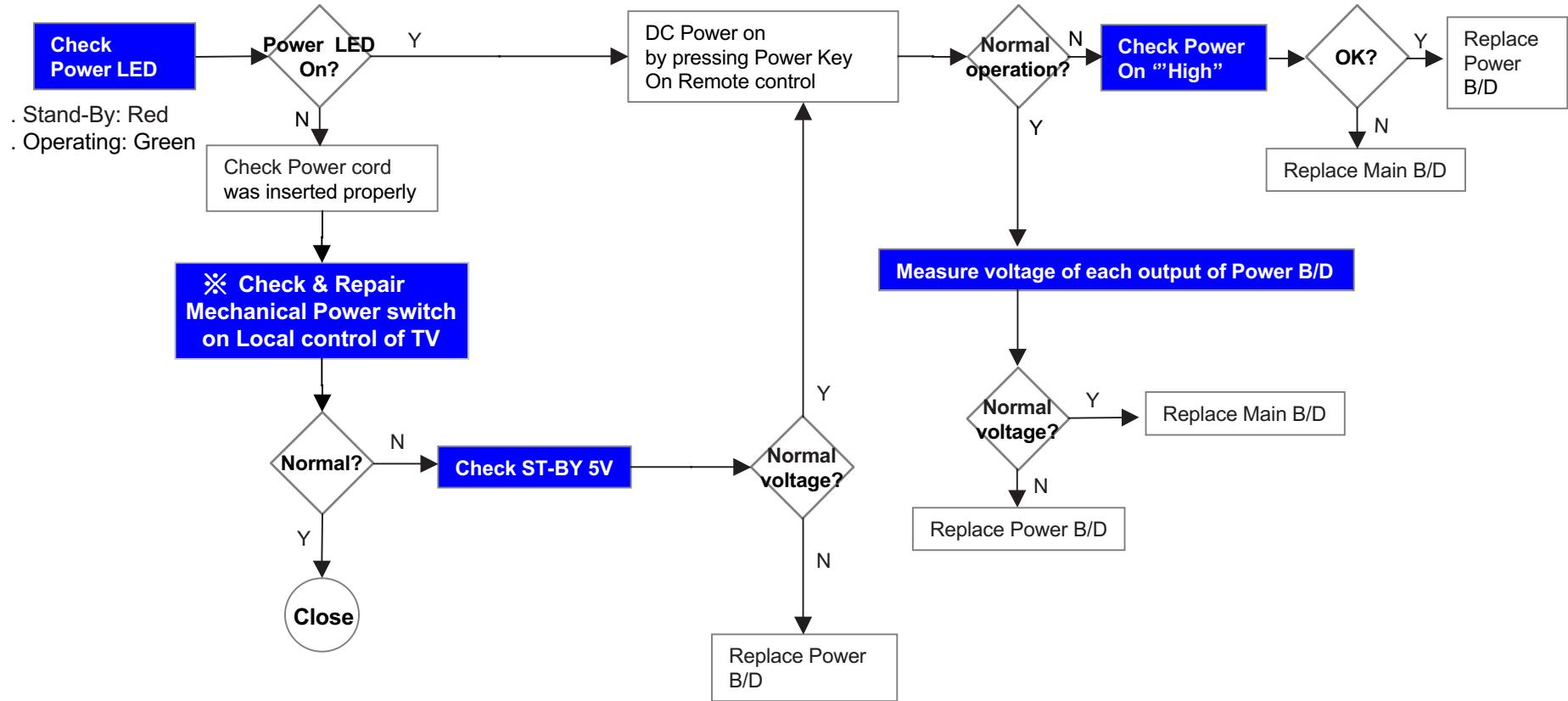


External device screen error-Color error



Standard Repair Process

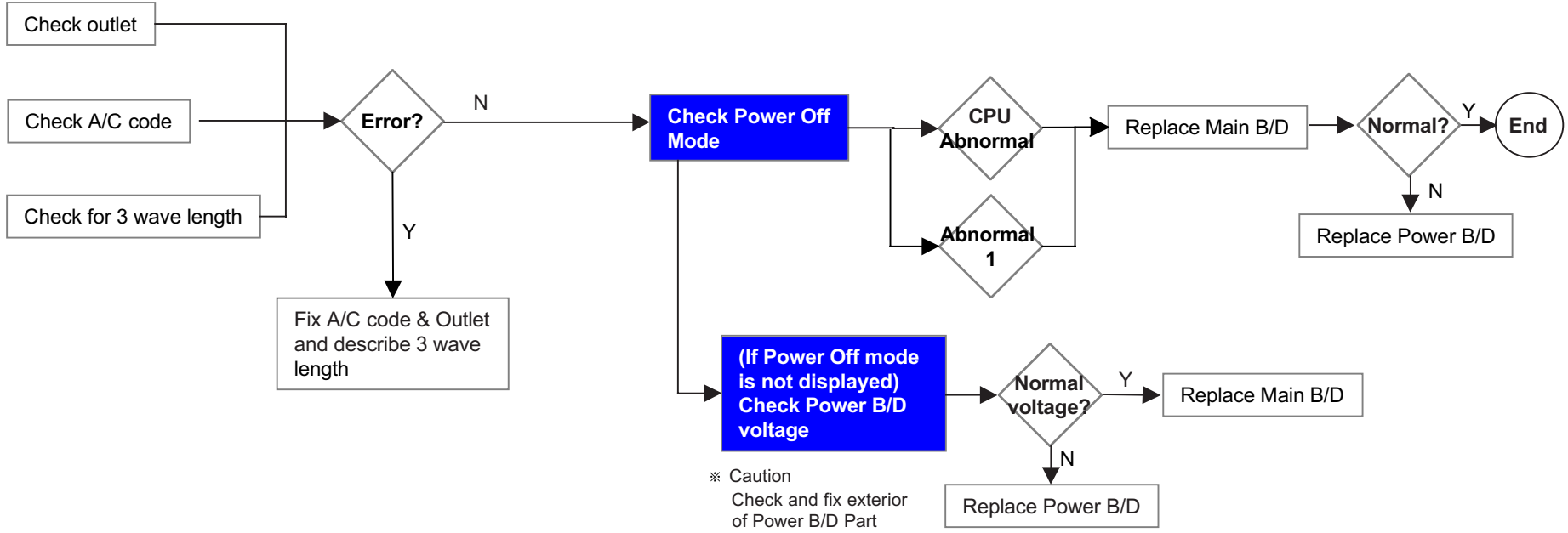
| | | | | | |
|--------|---------------|-----------------------|------------------|-------------|------|
| LCD TV | Error symptom | B. Power error | Established date | 2008. 3 .05 | |
| | | No power | Revised date | | 6/13 |



※ '09 years new model apply **mechanical power switch** to reduce power consumption in stand-by status.

- If mechanical power switch off
- Doesn't turn on by remote control
- Doesn't appear LED light
- Please refer to the A21 Page

| Standard Repair Process | | | | |
|-------------------------|---------------|---|------------------|-------------|
| LCD TV | Error symptom | B. Power error | Established date | 2008. 3 .05 |
| | | Off when on, off while viewing, power auto on/off | Revised date | 7/13 |



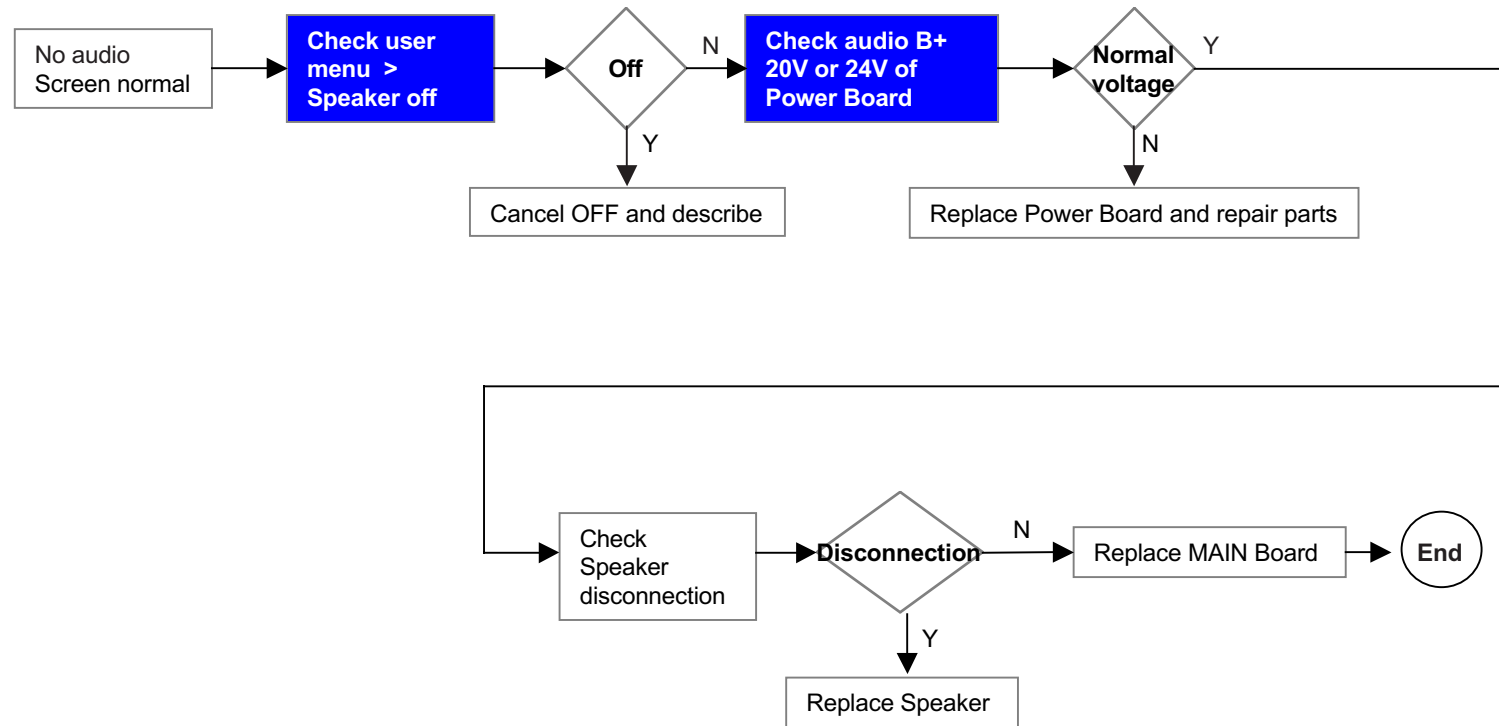
※ Caution
Check and fix exterior of Power B/D Part

* Please refer to the all cases which can be displayed on power off mode.

| Status | Power off List | Explanation |
|----------|------------------------|---|
| Normal | "POWEROFF_REMOTEKEY" | Power off by REMOTE CONTROL |
| | "POWEROFF_OFFTIMER" | Power off by OFF TIMER |
| | "POWEROFF_SLEEPTIMER" | Power off by SLEEP TIMER |
| | "POWEROFF_INSTOP" | Power off by INSTOP KEY |
| | "POWEROFF_AUTOOFF" | Power off by AUTO OFF |
| | "POWEROFF_ONTIMER" | Power off by ON TIMER |
| | "POWEROFF_RS232C" | Power off by RS232C |
| | "POWEROFF_RESREC" | Power off by Reserved Record |
| | "POWEROFF_RECEND" | Power off by End of Recording |
| | "POWEROFF_SWDOWN" | Power off by S/W Download |
| Abnormal | "POWEROFF_UNKNOWN" | Power off by unknown status except listed case |
| | "POWEROFF_ABNORMAL1" | Power off by abnormal status except CPU trouble |
| | "POWEROFF_CPUABNORMAL" | Power off by CPU Abnormal |

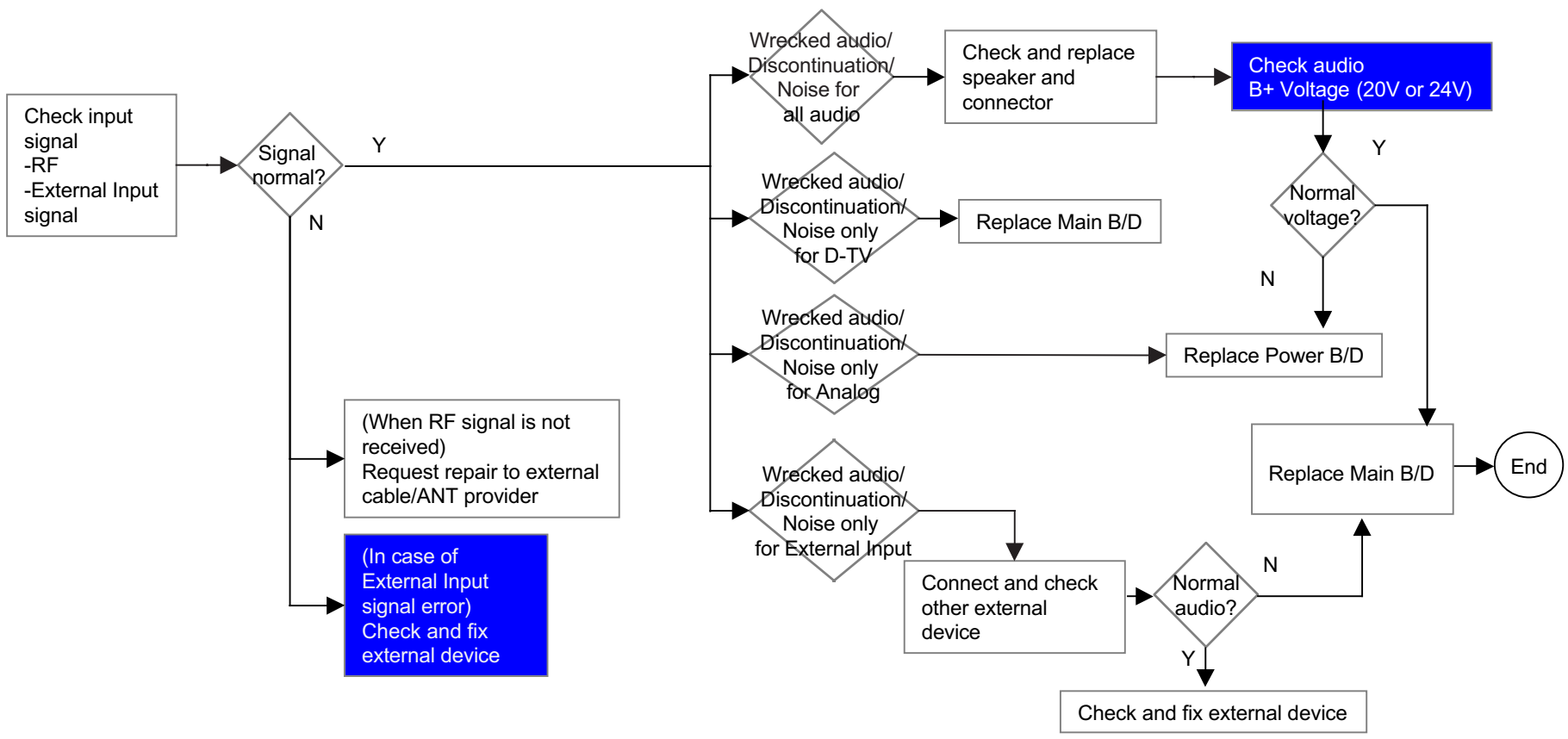
Standard Repair Process

| | | | | | |
|--------|---------------|------------------------|------------------|-------------|------|
| LCD TV | Error symptom | C. Audio error | Established date | 2008. 3 .05 | |
| | | No audio/ Normal video | Revised date | | 8/13 |



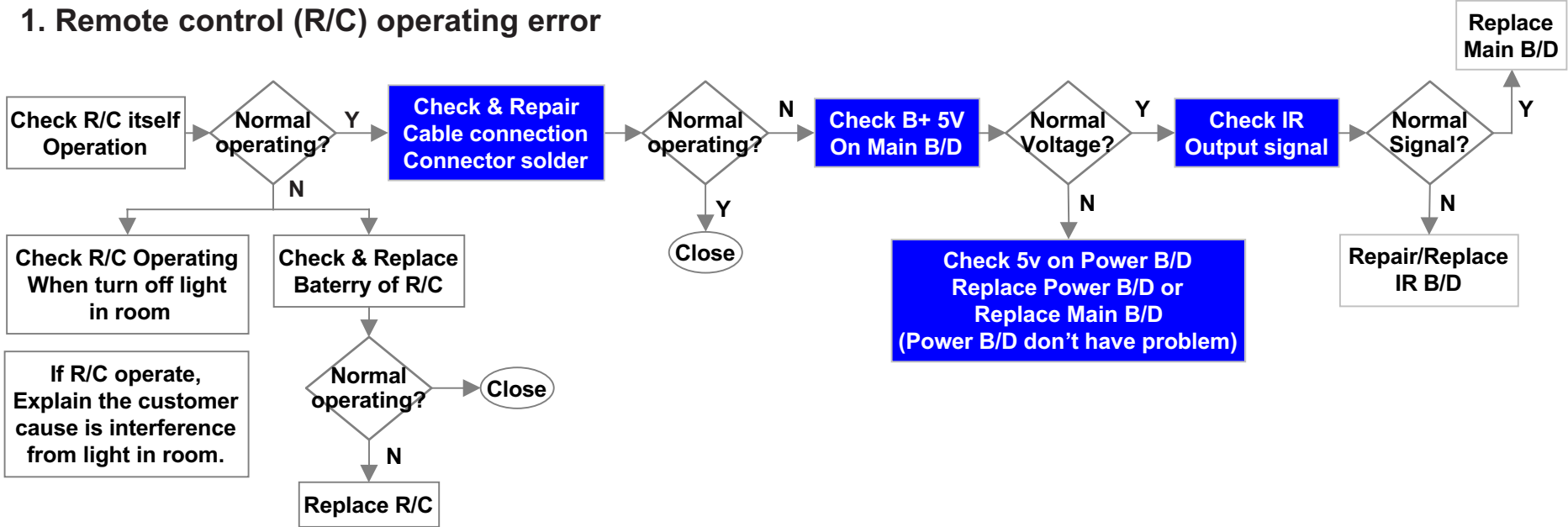
| Standard Repair Process | | | | |
|-------------------------|---------------|--------------------------------------|------------------|-------------|
| LCD TV | Error symptom | C. Audio error | Established date | 2008. 3 .05 |
| | | Wrecked audio/ discontinuation/noise | Revised date | 9/13 |

→ Wrecked audio/discontinuation/noise is same after "Check input signal" compared to No audio

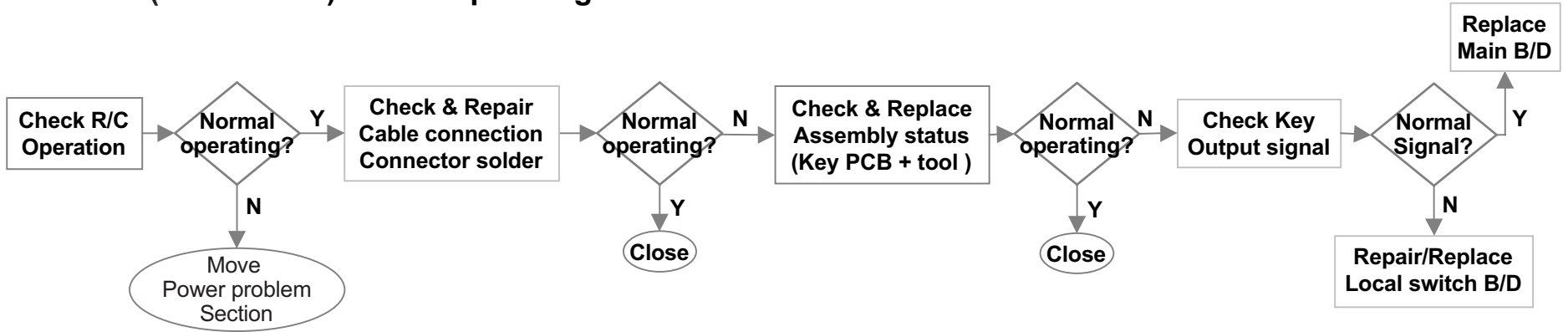


| Standard Repair Process | | | | | |
|-------------------------|---------------|--|------------------|-------------|-------|
| LCD TV | Error symptom | D. General Function Problem | Established date | 2008. 3 .05 | |
| | | Remote control & Local switch checking | Revised date | | 10/13 |

1. Remote control (R/C) operating error

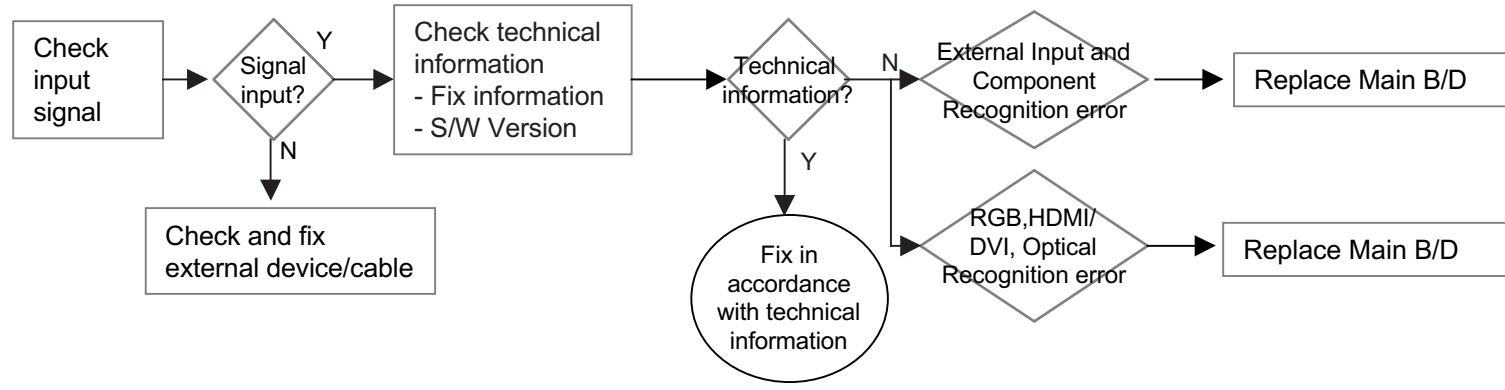


2. Local(Mechanical) switch operating error

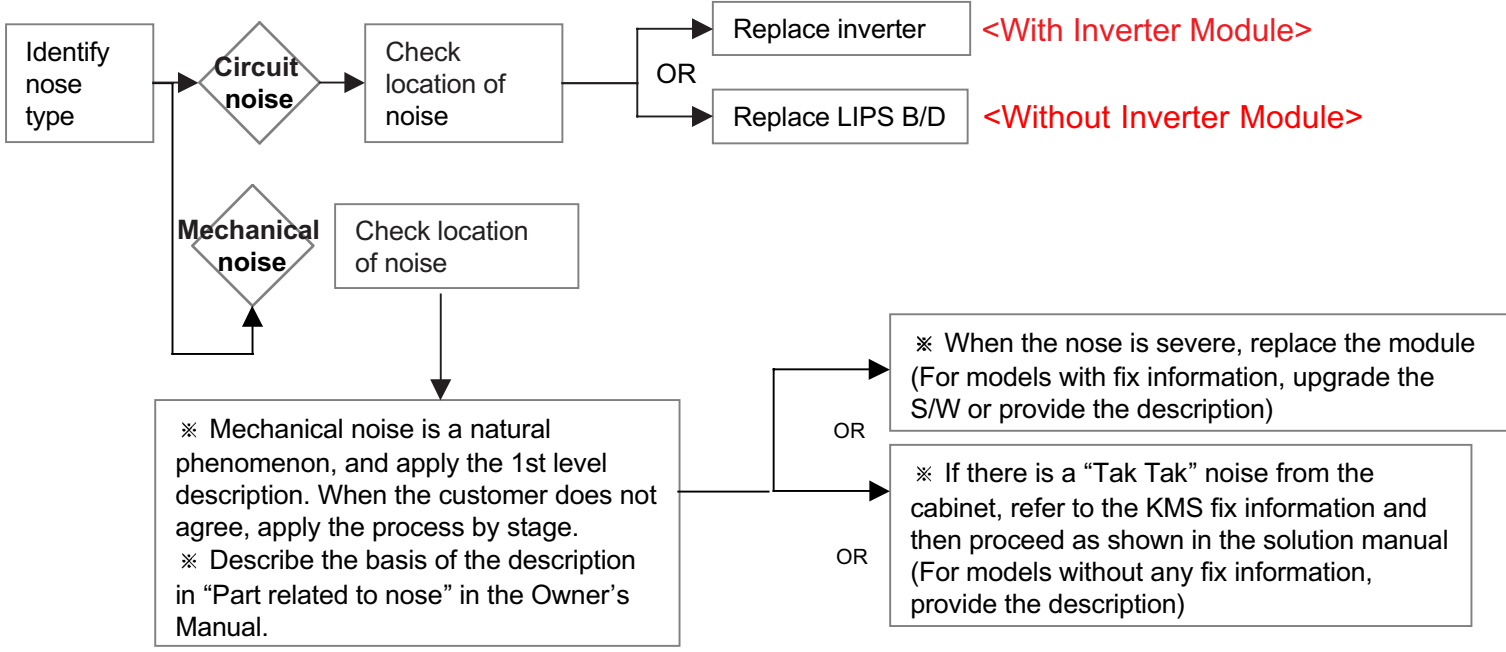


Standard Repair Process

| | | | | | |
|--------|---------------|-----------------------------------|------------------|-------------|-------|
| LCD TV | Error symptom | D. Function error | Established date | 2008. 3 .05 | |
| | | External device recognition error | Revised date | | 11/13 |

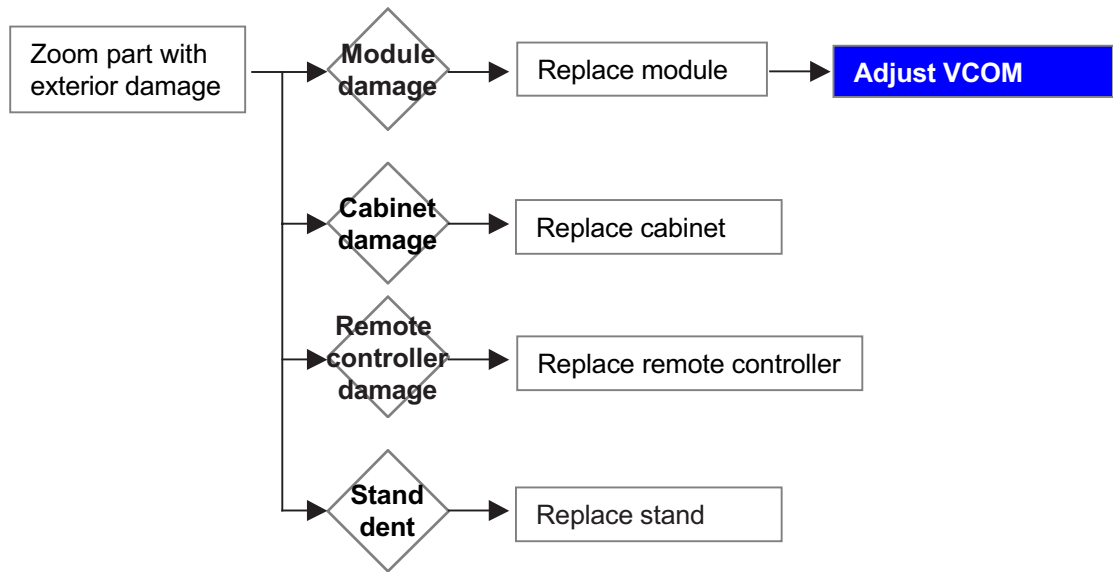


| Standard Repair Process | | | | | |
|-------------------------|---------------|---------------------------------|--|------------------|-------------|
| LCD TV | Error symptom | E. Noise | | Established date | 2008. 3 .05 |
| | | Circuit noise, mechanical noise | | Revised date | 12/13 |



Standard Repair Process

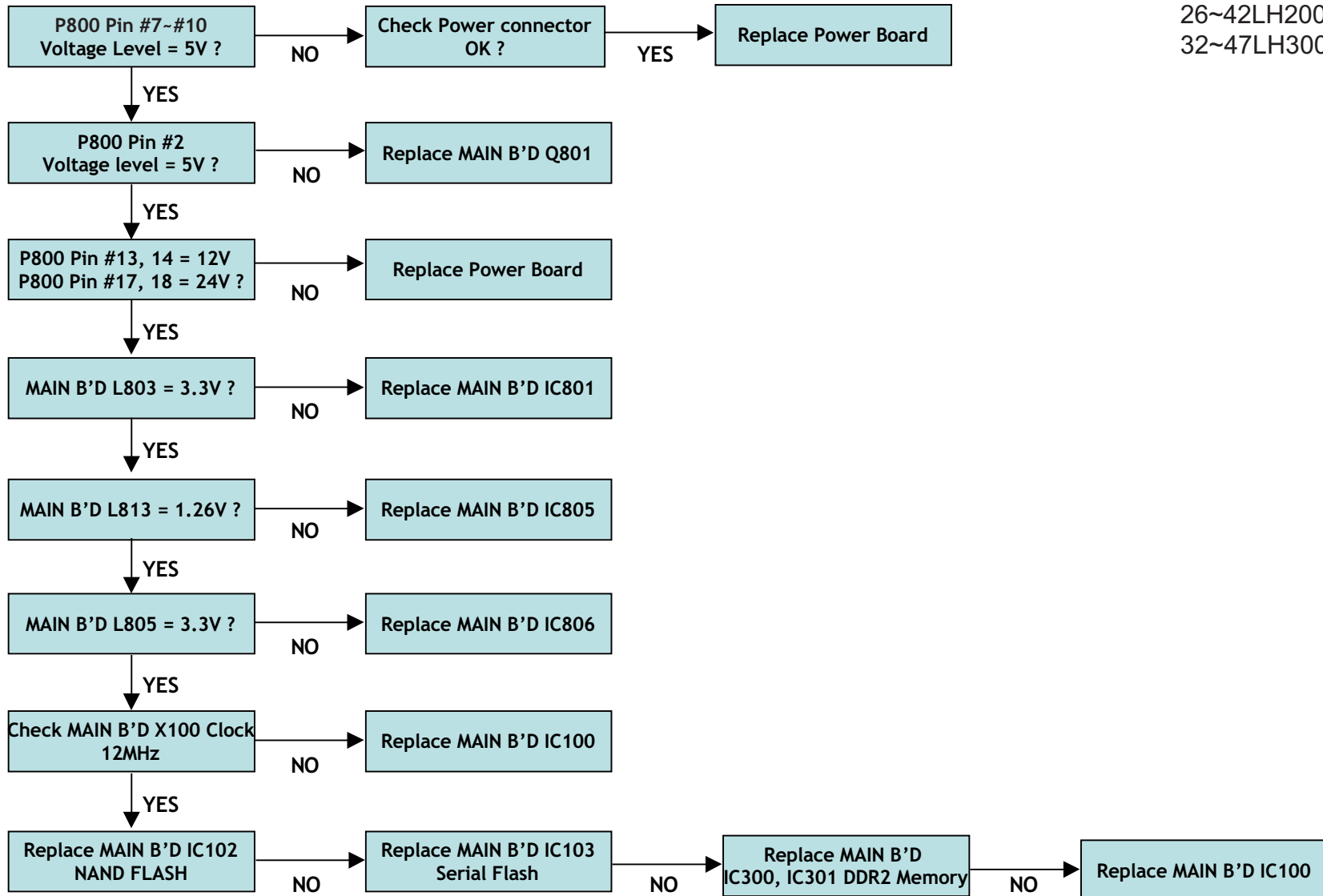
| | | | | | |
|--------|---------------|--------------------|------------------|-------------|-------|
| LCD TV | Error symptom | F. Exterior defect | Established date | 2008. 3 .05 | |
| | | Exterior defect | Revised date | | 13/13 |



LCD TV Repair Process Index
- Trouble shooting by input block (Component level check)

| No. | Symptom (L) | Input Block | Page | Remark |
|-----|---|----------------------------|-----------|--------|
| 1 | Power Problem | Power-up Boot fail | 1~2 | |
| 2 | Video Problem | No OSD | 3~4 | |
| 3 | | Digital TV | 5 | |
| 4 | | Analog TV | 6 | |
| 5 | | AV (Scart / CVBS/ S-Video) | 7~12 | |
| 6 | | Component | 13 | |
| 7 | | RGB(D-SUB) | 14~15 | |
| 8 | | HDMI | 16~17 | |
| 9 | | Audio Problem | All Input | 18 |
| 10 | Digital TV | | 19 | |
| 11 | Analog TV | | 20 | |
| 12 | AV / Component / RGB, HDMI-PC/ HDMI-DTV | | 21~26 | |
| 13 | AV Audio out / No Audio (Headphone & SPDIF) | | 27~30 | |
| 14 | USB / Remocon Problem | USB no connect / Remocon | 31~33 | |
| 15 | Intelligent Sensor | Intelligent Sensor | 34 | |

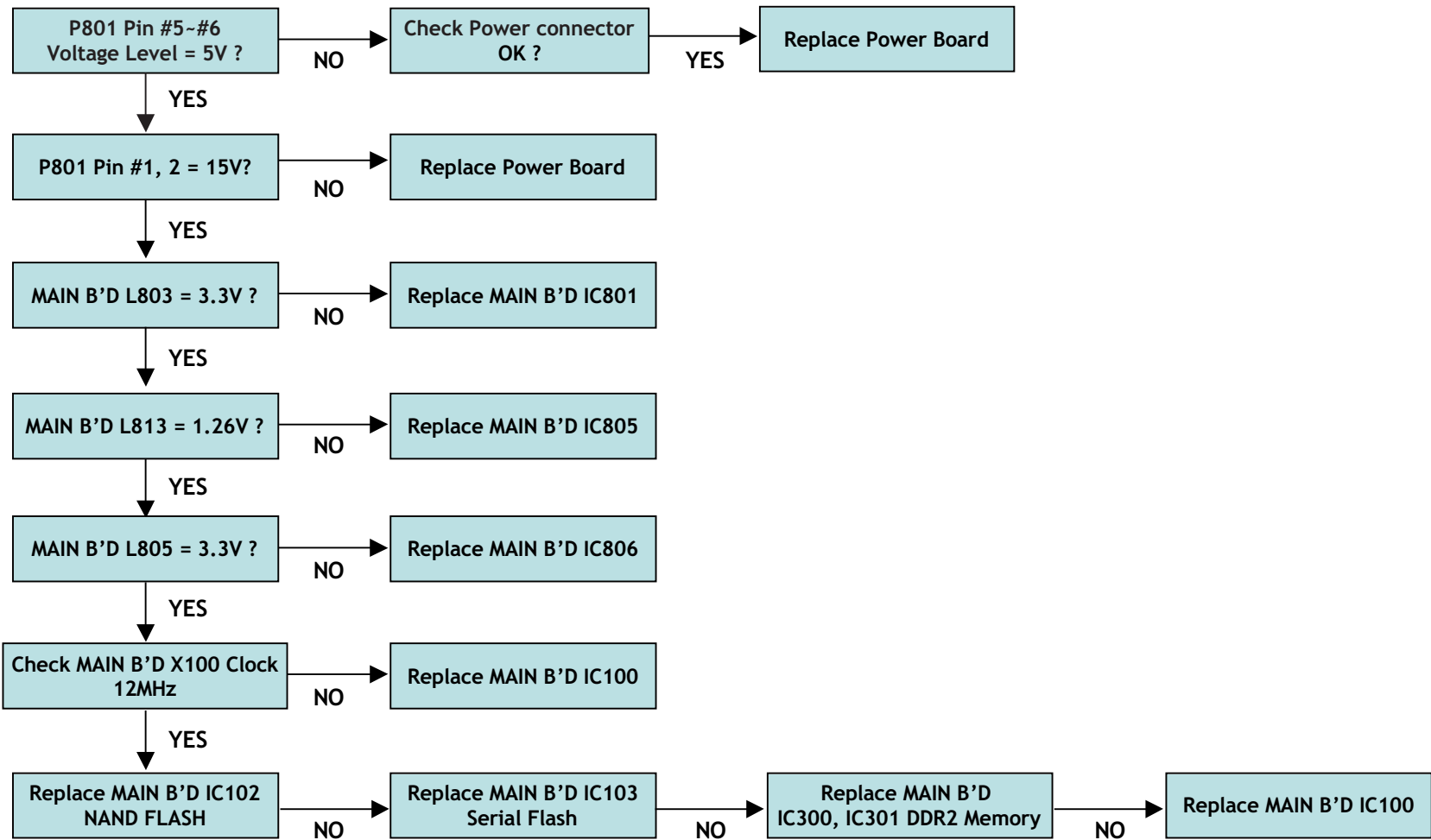
| | | | | | |
|--------|---------|--------------------|----------|-------------|------|
| LCD TV | Symptom | Power-Up Boot Fail | Making | 2009. 2 . 1 | |
| | | | Revision | | 1/34 |



26~42LH2000
32~47LH3000/LH4000

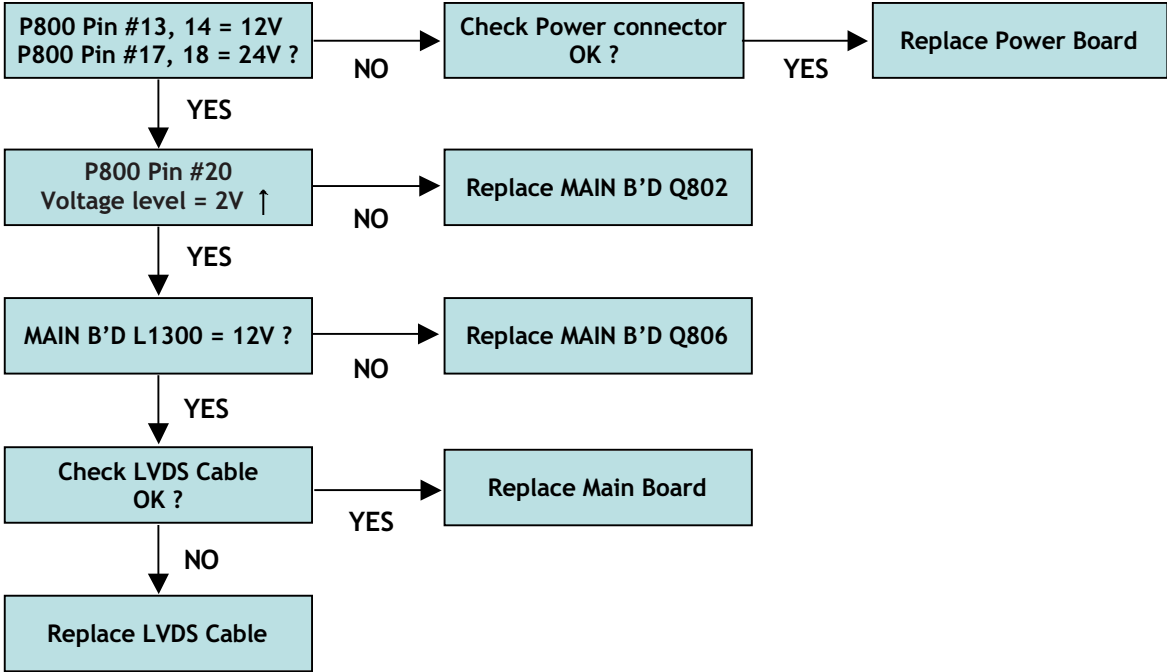
| | | | | | |
|---------------|----------------|---------------------------|-----------------|-------------|------|
| LCD TV | Symptom | Power-Up Boot Fail | Making | 2009. 2 . 1 | |
| | | | Revision | | 2/34 |

19~22LH2000



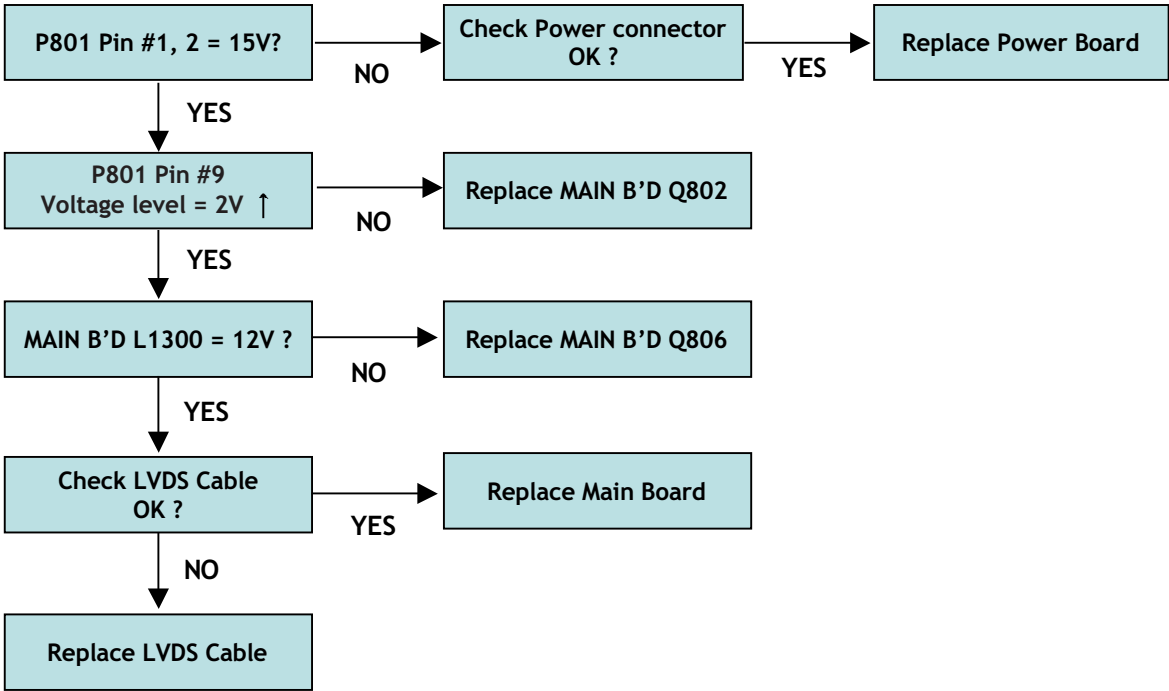
| | | | | | |
|---------------|----------------|---------------|-----------------|--------------------|-------------|
| LCD TV | Symptom | No OSD | Making | 2009. 2 . 1 | |
| | | | Revision | | 3/34 |

26~42LH2000
32~47LH3000/LH4000



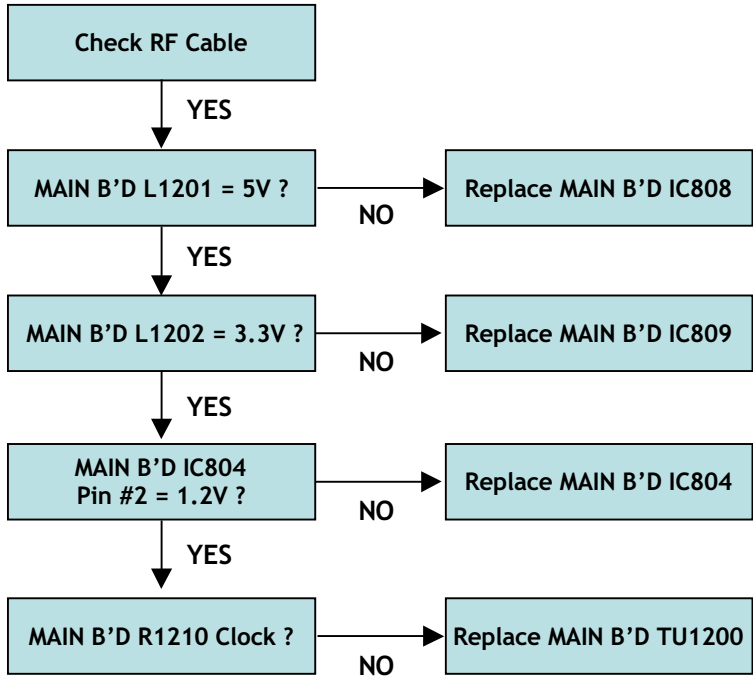
| | | | | | |
|---------------|----------------|---------------|-----------------|--------------------|-------------|
| LCD TV | Symptom | No OSD | Making | 2009. 2 . 1 | |
| | | | Revision | | 4/34 |

19~22LH2000



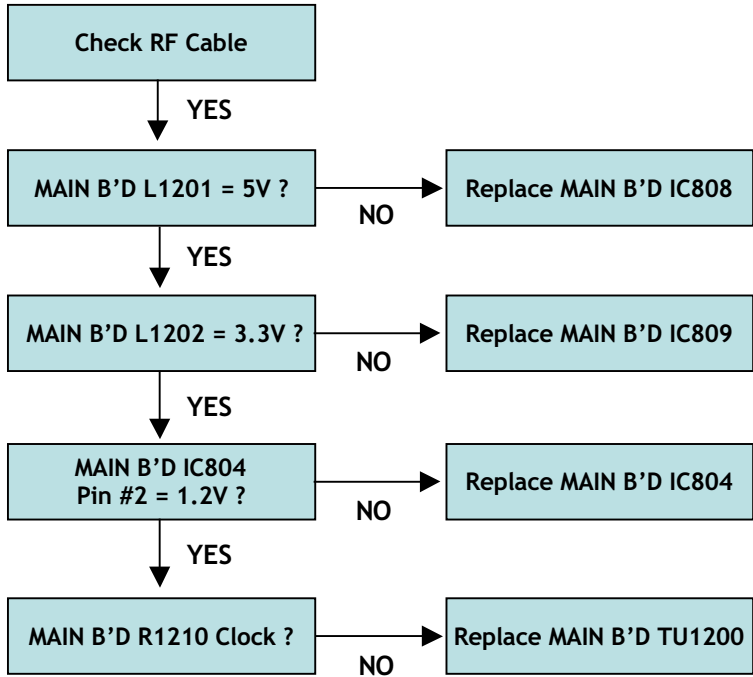
| | | | | | |
|---------------|----------------|---------------------------------|-----------------|--------------------|-------------|
| LCD TV | Symptom | Digital TV Video Problem | Making | 2009. 2 . 1 | |
| | | | Revision | | 5/34 |

26~42LH2000
32~47LH3000/LH4000



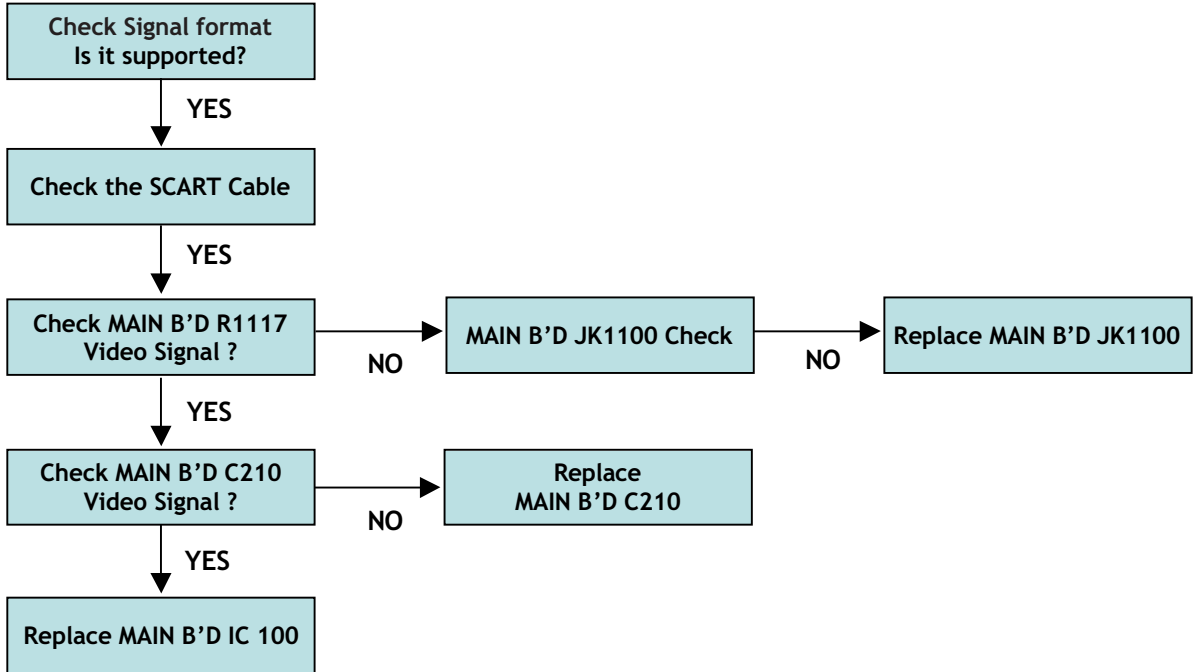
| | | | | | |
|---------------|----------------|--------------------------------|-----------------|--------------------|-------------|
| LCD TV | Symptom | Analog TV Video Problem | Making | 2009. 2 . 1 | |
| | | | Revision | | 6/34 |

26~42LH2000
32~47LH3000/LH4000



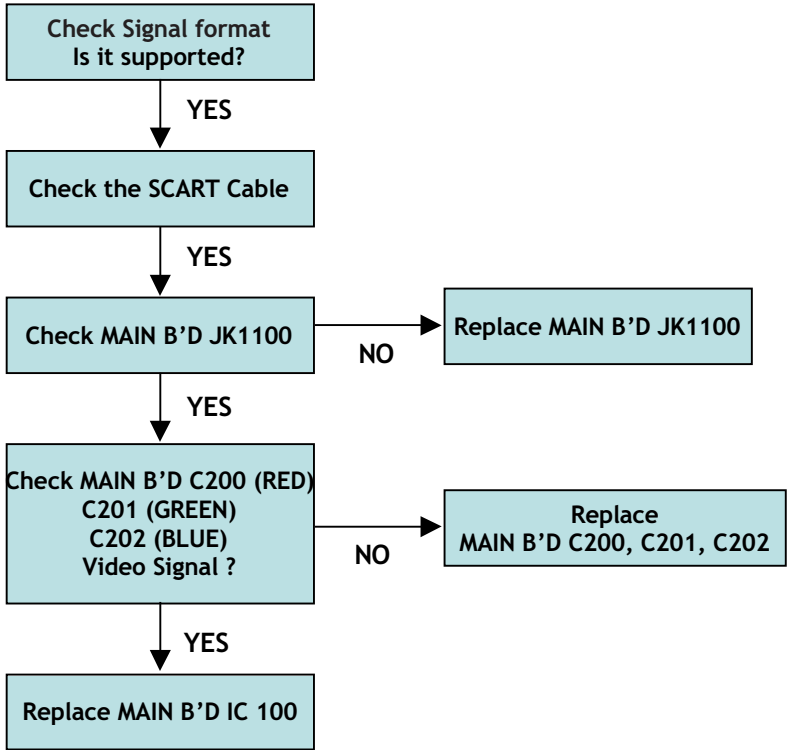
| | | | | | |
|---------------|----------------|---|-----------------|--------------------|-------------|
| LCD TV | Symptom | AV1(Scart CVBS) No Video Problem | Making | 2009. 2 . 1 | |
| | | | Revision | | 7/34 |

26~42LH2000
32~47LH3000/LH4000



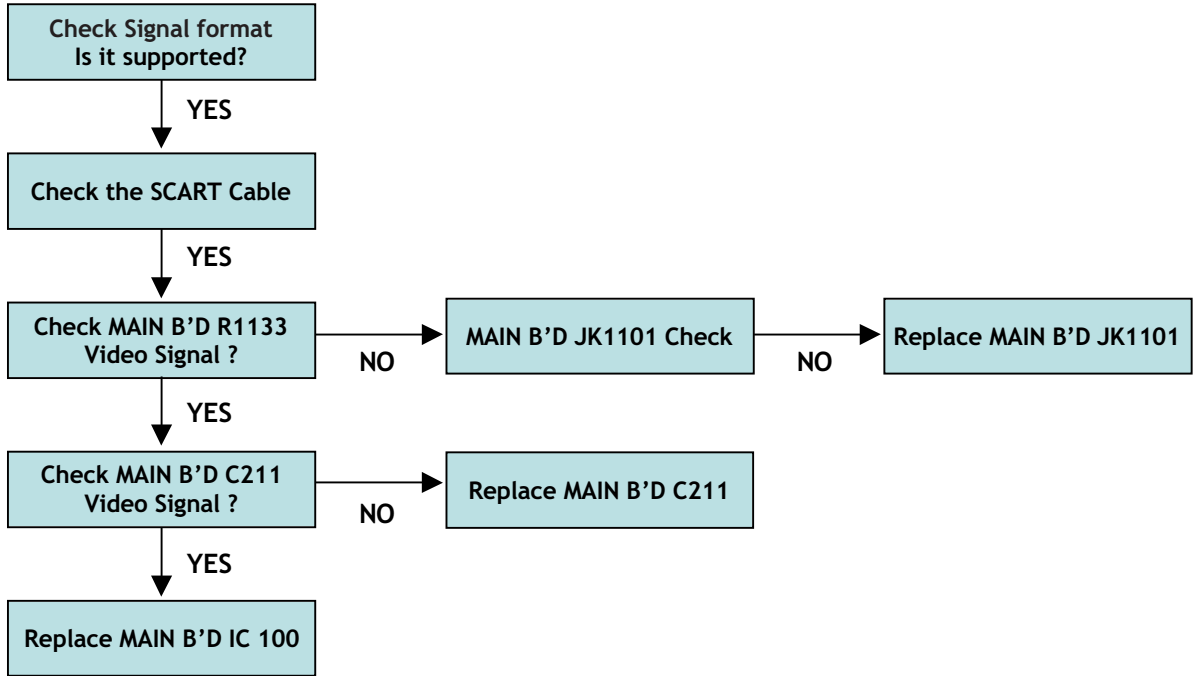
| | | | | | |
|---------------|----------------|--|-----------------|--------------------|-------------|
| LCD TV | Symptom | AV1(Scart RGB) No Video Problem | Making | 2009. 2 . 1 | |
| | | | Revision | | 8/34 |

26~42LH2000
32~47LH3000/LH4000



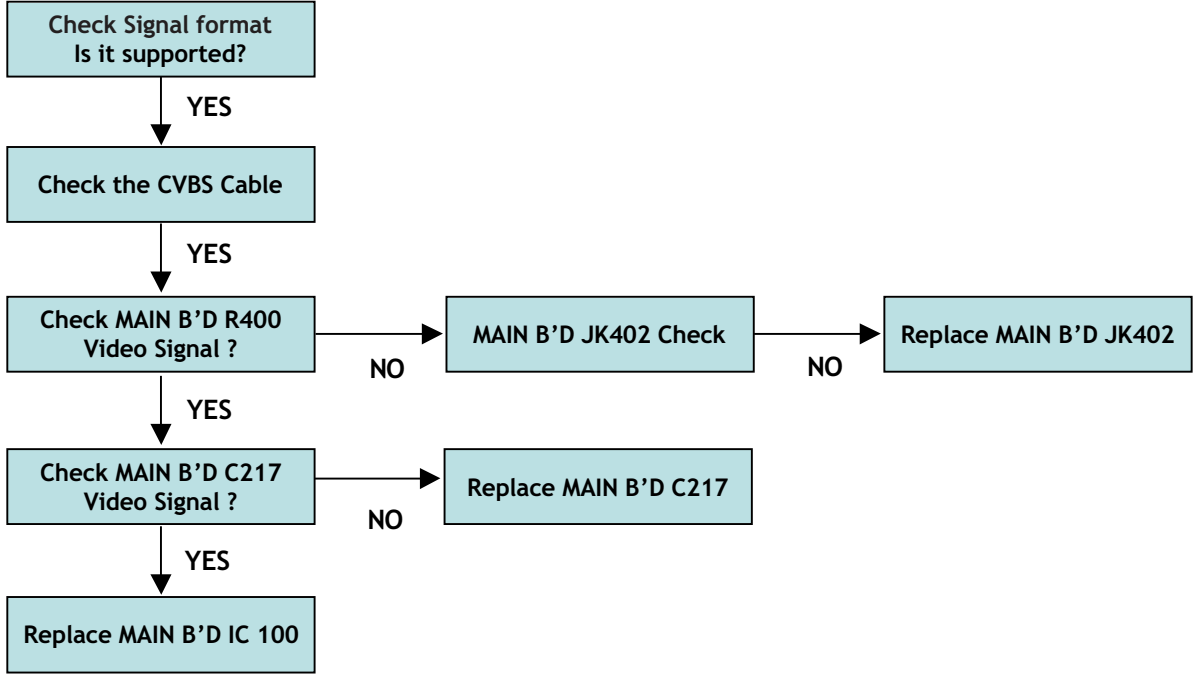
| | | | | | |
|---------------|----------------|-----------------------------|-----------------|--------------------|-------------|
| LCD TV | Symptom | AV2 No Video Problem | Making | 2009. 2 . 1 | |
| | | | Revision | | 9/34 |

26~42LH2000
32~47LH3000/LH4000



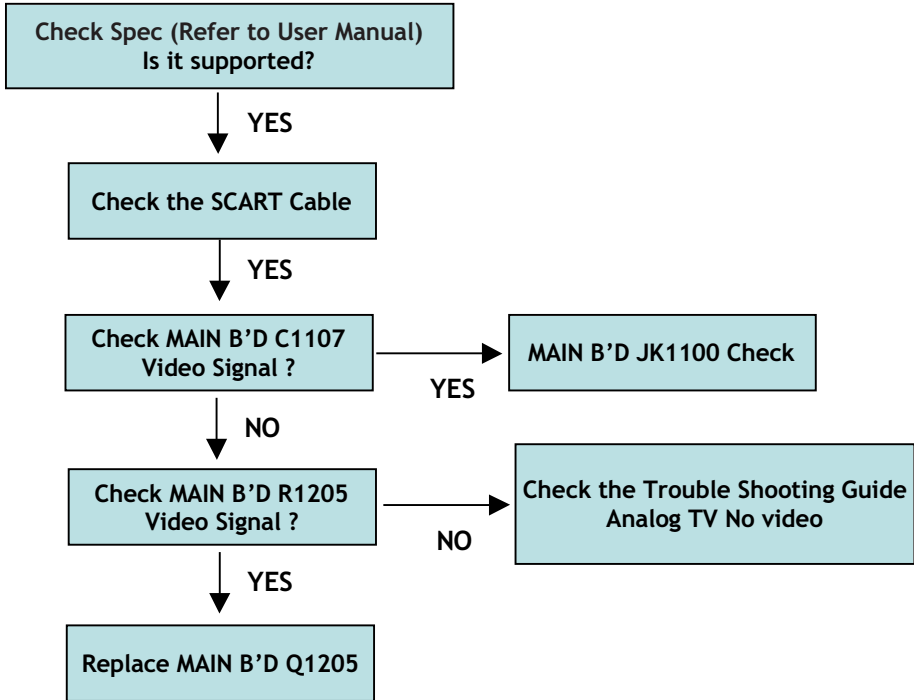
| | | | | | |
|---------------|----------------|-----------------------------------|-----------------|--------------------|--------------|
| LCD TV | Symptom | AV3(CVBS) No Video Problem | Making | 2009. 2 . 1 | |
| | | | Revision | | 10/34 |

26~42LH2000
32~47LH3000/LH4000



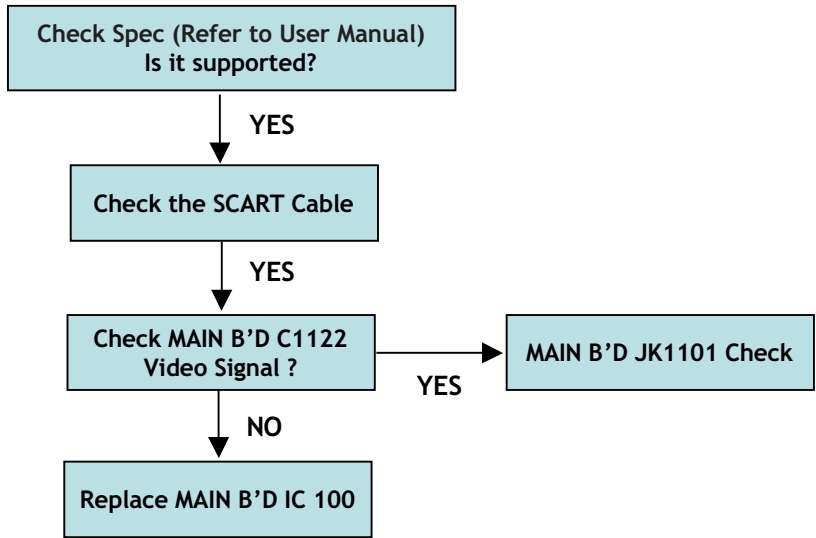
| | | | | | |
|---------------|----------------|---------------------------------|-----------------|--------------------|--------------|
| LCD TV | Symptom | AV1 No Video Out Problem | Making | 2009. 2 . 1 | |
| | | | Revision | | 11/34 |

26~42LH2000
32~47LH3000/LH4000



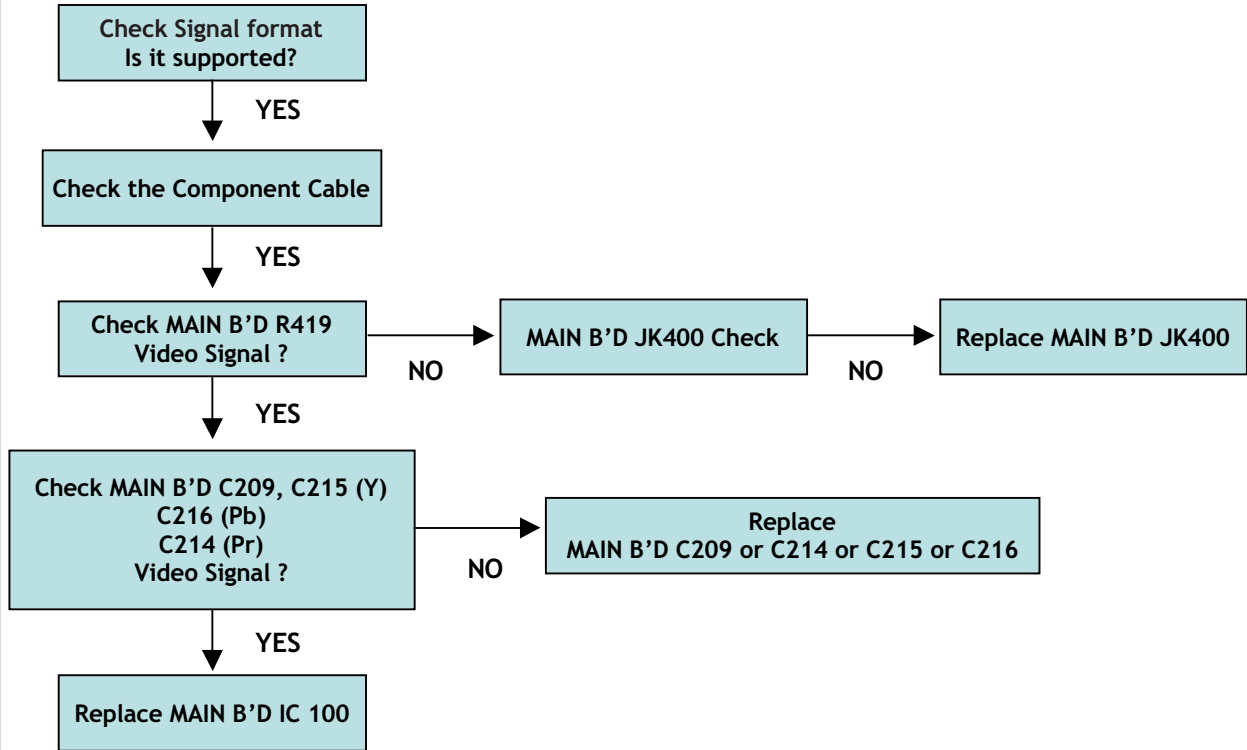
| | | | | | |
|---------------|----------------|---------------------------------|-----------------|--------------------|--------------|
| LCD TV | Symptom | AV2 No Video Out Problem | Making | 2009. 2 . 1 | |
| | | | Revision | | 12/34 |

26~42LH2000
32~47LH3000/LH4000



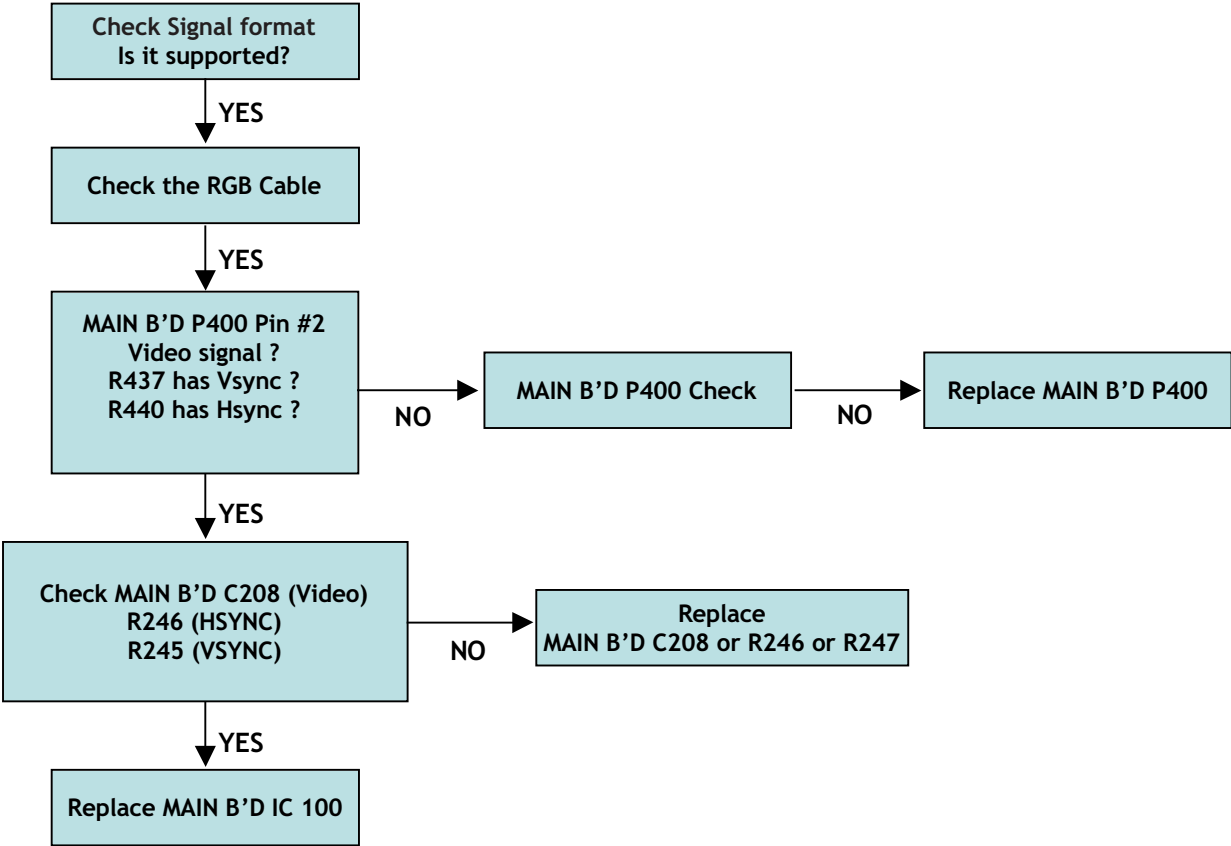
| | | | | | |
|---------------|----------------|---|-----------------|--------------------|--------------|
| LCD TV | Symptom | Component No Video/ No Color Problem | Making | 2009. 2 . 1 | |
| | | | Revision | | 13/34 |

26~42LH2000
32~47LH3000/LH4000



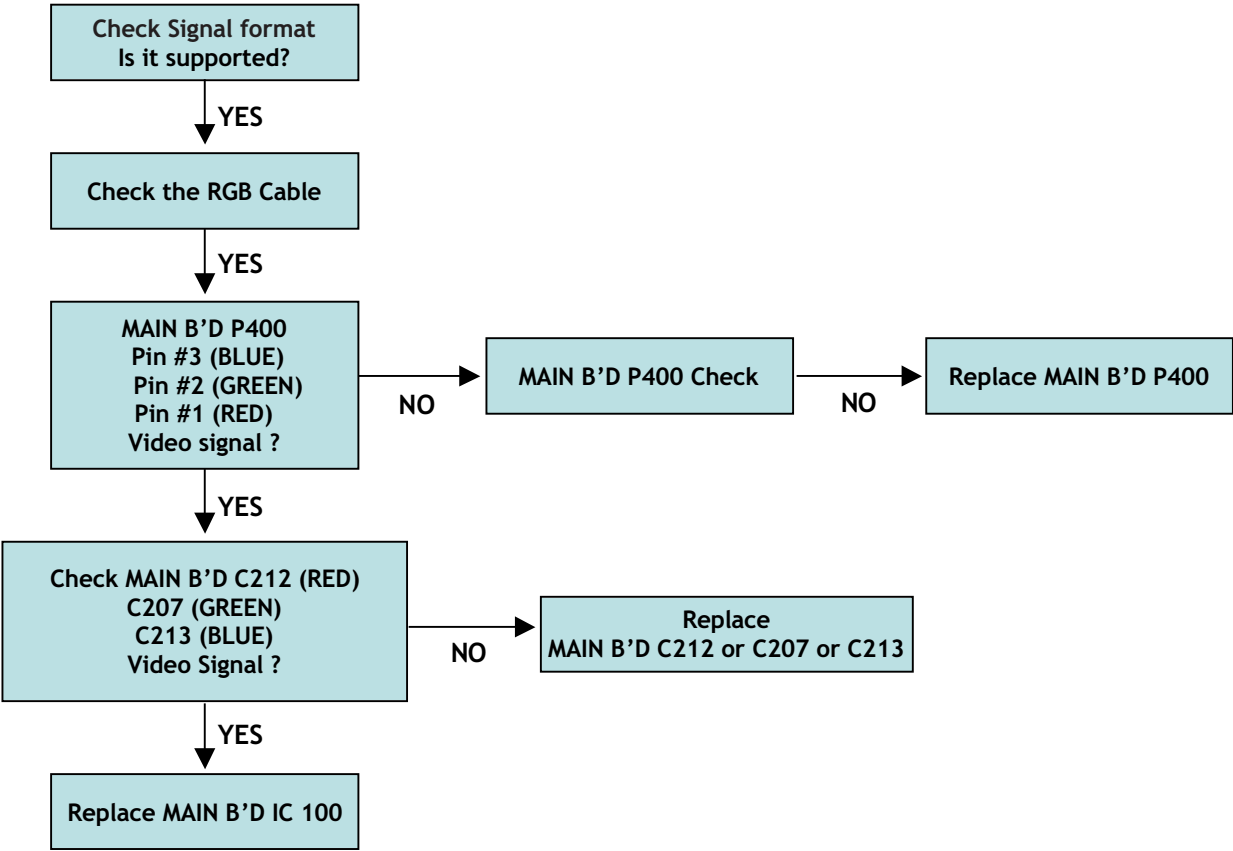
| | | | | | |
|---------------|----------------|-----------------------------|-----------------|--------------------|--------------|
| LCD TV | Symptom | RGB No Video Problem | Making | 2009. 2 . 1 | |
| | | | Revision | | 14/34 |

26~42LH2000
32~47LH3000/LH4000



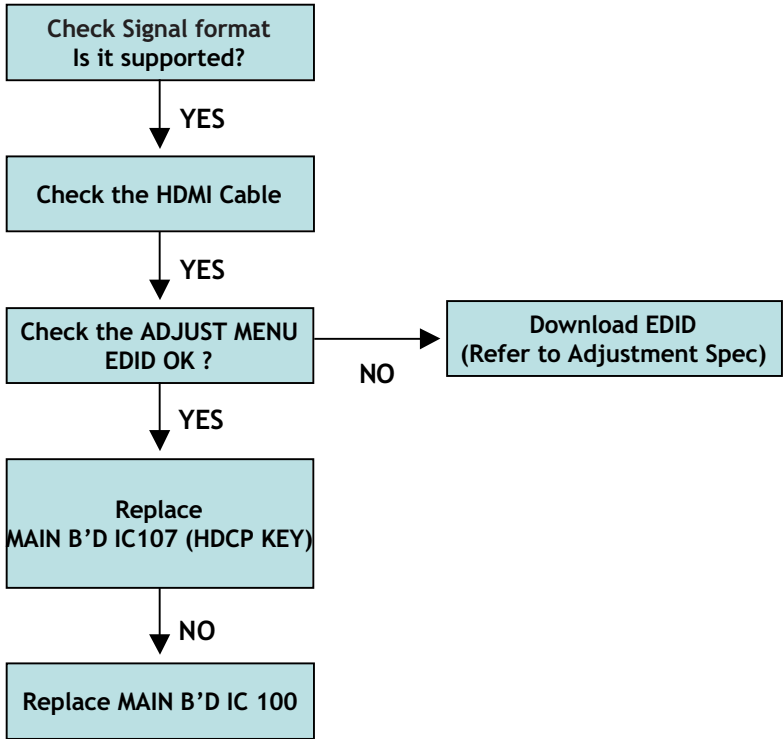
| | | | | | |
|---------------|----------------|-----------------------------|-----------------|--------------------|--------------|
| LCD TV | Symptom | RGB No Color Problem | Making | 2009. 2 . 1 | |
| | | | Revision | | 15/34 |

26~42LH2000
32~47LH3000/LH4000



| | | | | | |
|---------------|----------------|--------------------------------------|-----------------|--------------------|--------------|
| LCD TV | Symptom | HDMI 1~3 All No Video Problem | Making | 2009. 2 . 1 | |
| | | | Revision | | 16/34 |

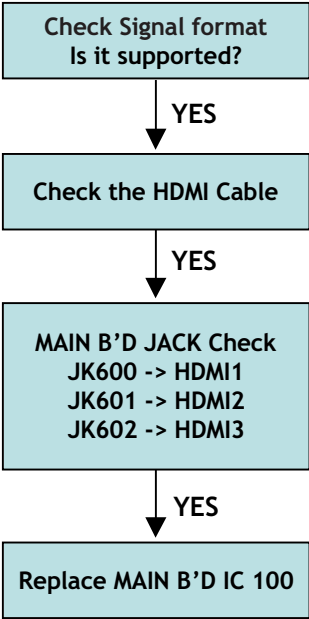
26~42LH2000
32~47LH3000/LH4000



HDMI1 – ALL MODELS
HDMI2 – Except for 19/22LH20**
HDMI3 – Except for 19/22LU40**, 19/22LU50**, 19/22LH20**

| | | | | | |
|---------------|----------------|---|-----------------|--------------------|--------------|
| LCD TV | Symptom | HDMI1 or 2 or 3 No Video Problem | Making | 2009. 2 . 1 | |
| | | | Revision | | 17/34 |

26~42LH2000
32~47LH3000/LH4000

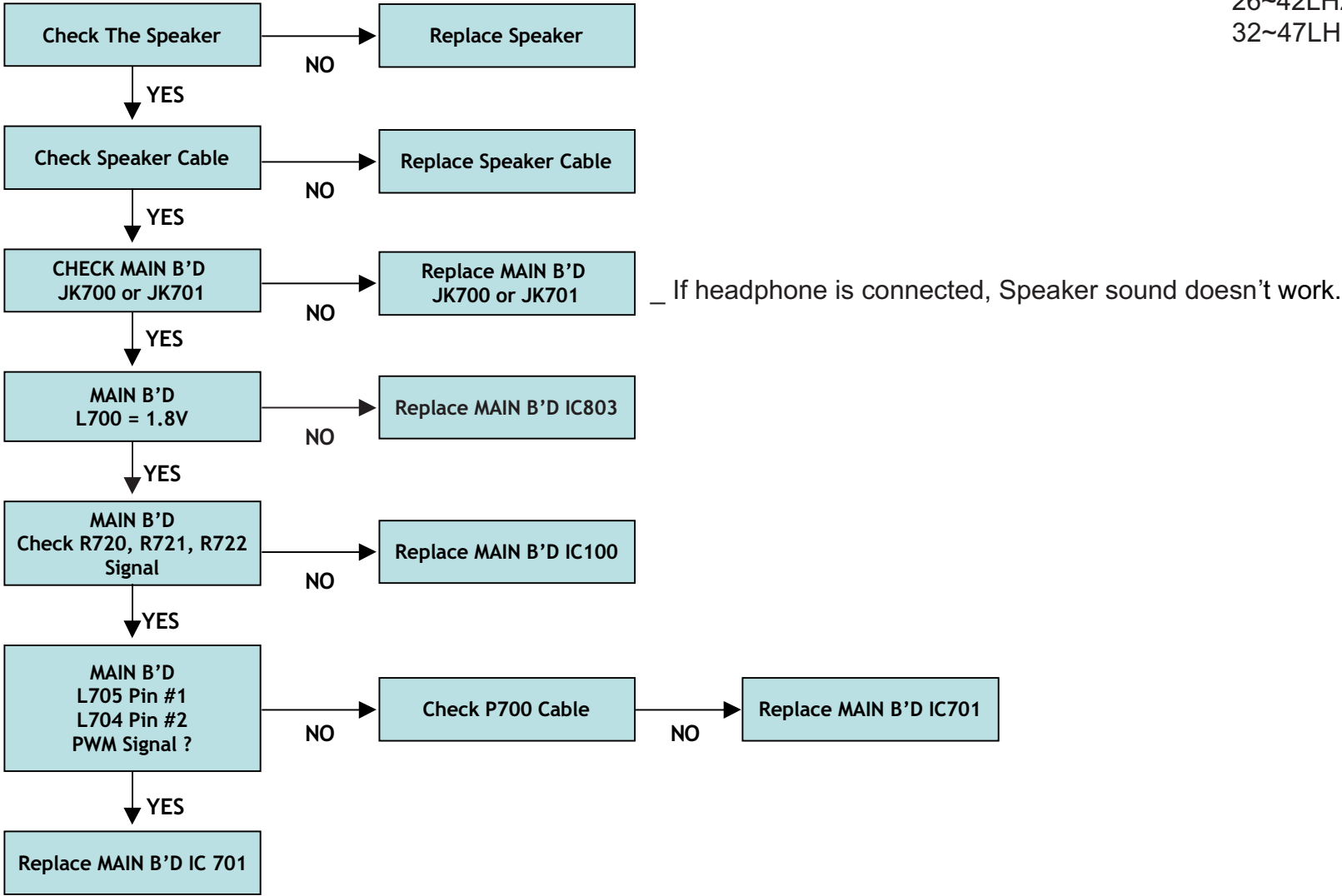


_ This case is that HDMI Video doesn't display at the some HDMI input, not all.

HDMI1 – ALL MODELS
HDMI2 – Except for 19/22LH20**
HDMI3 – Except for 19/22LU40**, 19/22LU50**, 19/22LH20**

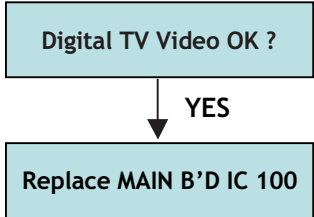
| | | | | | |
|---------------|----------------|------------------------------------|-----------------|--------------------|--------------|
| LCD TV | Symptom | All Source no Audio Problem | Making | 2009. 2 . 1 | |
| | | | Revision | | 18/34 |

26~42LH2000
32~47LH3000/LH4000



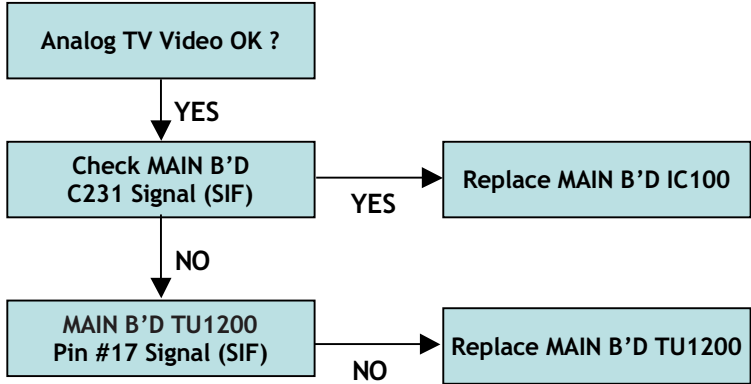
| | | | | | |
|---------------|----------------|------------------------------------|-----------------|--------------------|--------------|
| LCD TV | Symptom | Digital TV No Audio Problem | Making | 2009. 2 . 1 | |
| | | | Revision | | 19/34 |

26~42LH2000
32~47LH3000/LH4000



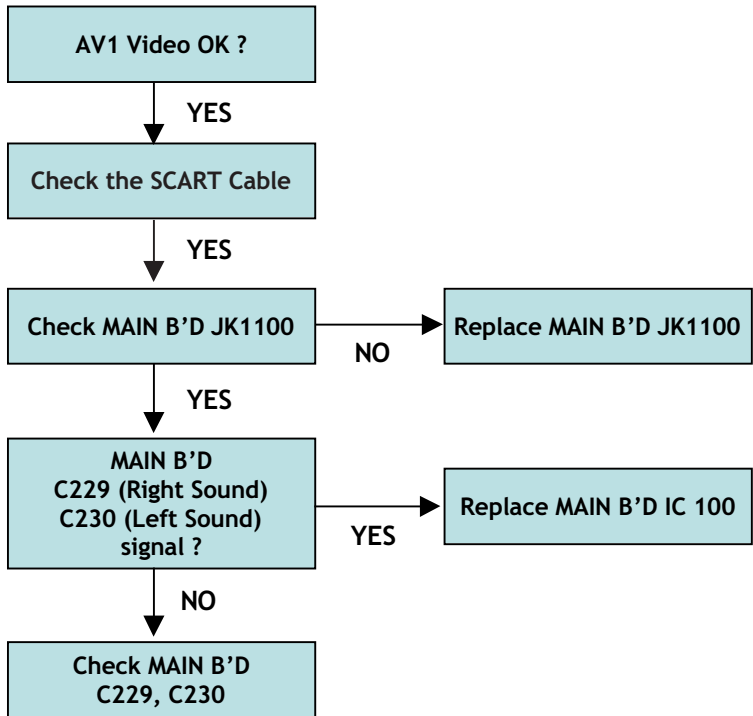
| | | | | | |
|---------------|---------|-----------------------------------|----------|-------------|-------|
| LCD TV | Symptom | Analog TV No Audio Problem | Making | 2009. 2 . 1 | |
| | | | Revision | | 20/34 |

26~42LH2000
32~47LH3000/LH4000



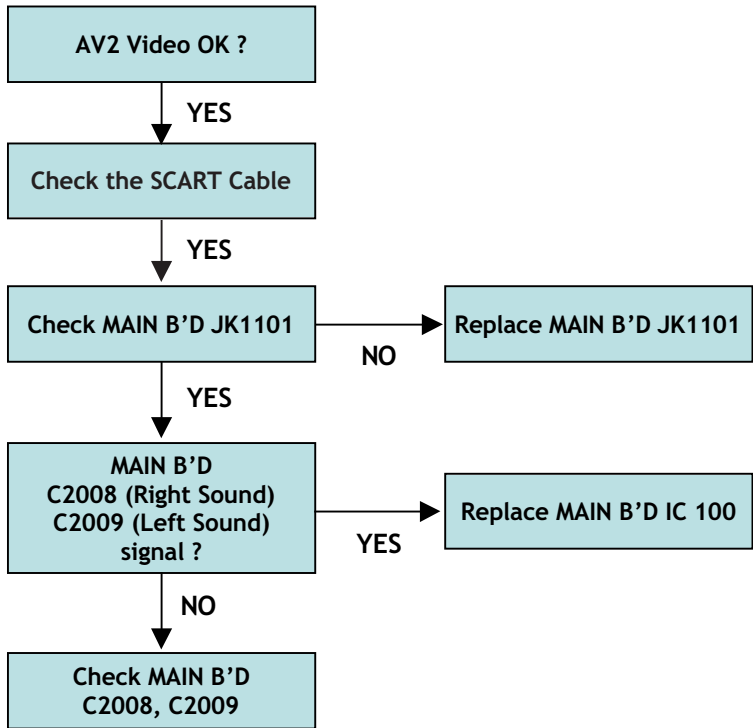
| | | | | | |
|---------------|----------------|-----------------------------|-----------------|--------------------|--------------|
| LCD TV | Symptom | AV1 No Audio Problem | Making | 2009. 2 . 1 | |
| | | | Revision | | 21/34 |

26~42LH2000
32~47LH3000/LH4000



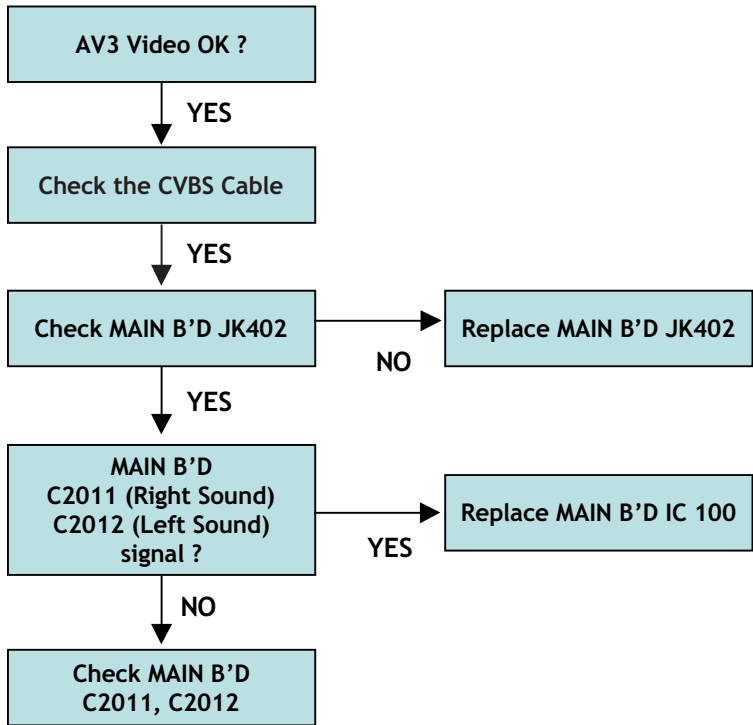
| | | | | | |
|---------------|----------------|-----------------------------|-----------------|--------------------|--------------|
| LCD TV | Symptom | AV2 No Audio Problem | Making | 2009. 2 . 1 | |
| | | | Revision | | 22/34 |

26~42LH2000
32~47LH3000/LH4000



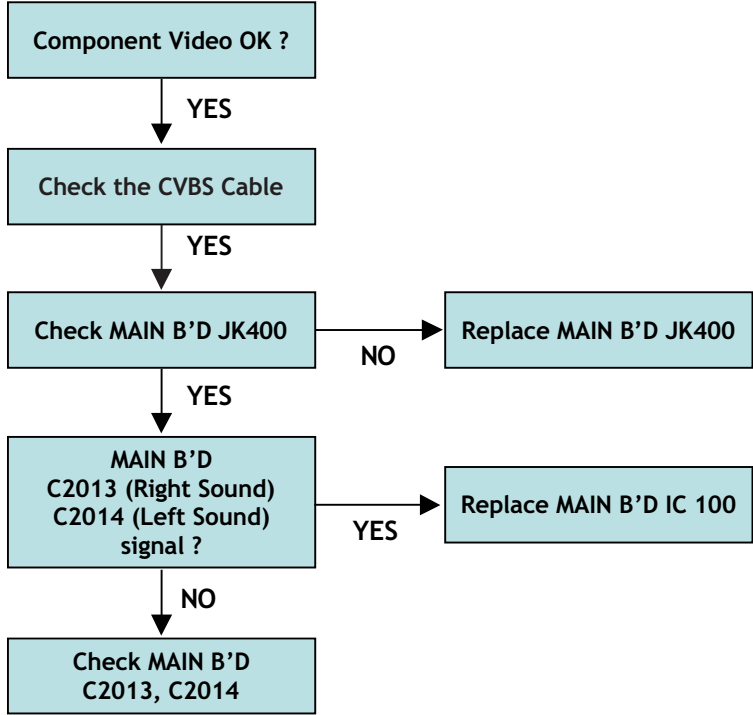
| | | | | | |
|---------------|----------------|-----------------------------|-----------------|--------------------|--------------|
| LCD TV | Symptom | AV3 No Audio Problem | Making | 2009. 2 . 1 | |
| | | | Revision | | 23/34 |

26~42LH2000
32~47LH3000/LH4000



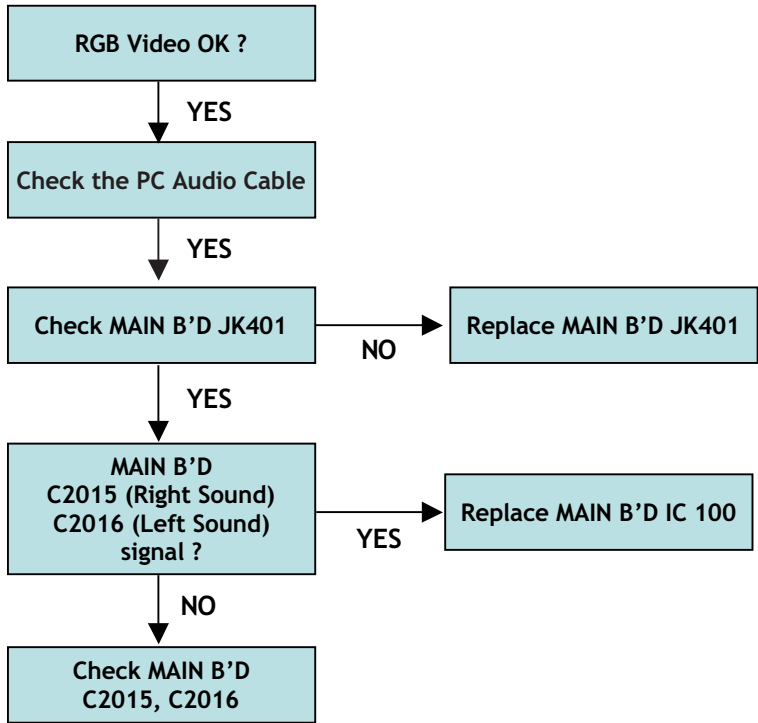
| | | | | | |
|---------------|----------------|-----------------------------------|-----------------|--------------------|--------------|
| LCD TV | Symptom | Component No Audio Problem | Making | 2009. 2 . 1 | |
| | | | Revision | | 24/34 |

26~42LH2000
32~47LH3000/LH4000



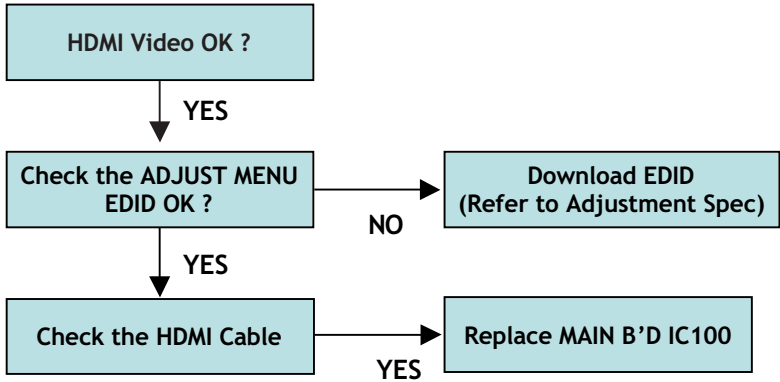
| | | | | | |
|---------------|---------|--------------------------------------|----------|-------------|-------|
| LCD TV | Symptom | RGB, HDMI-PC No Audio Problem | Making | 2009. 2 . 1 | |
| | | | Revision | | 25/34 |

26~42LH2000
32~47LH3000/LH4000



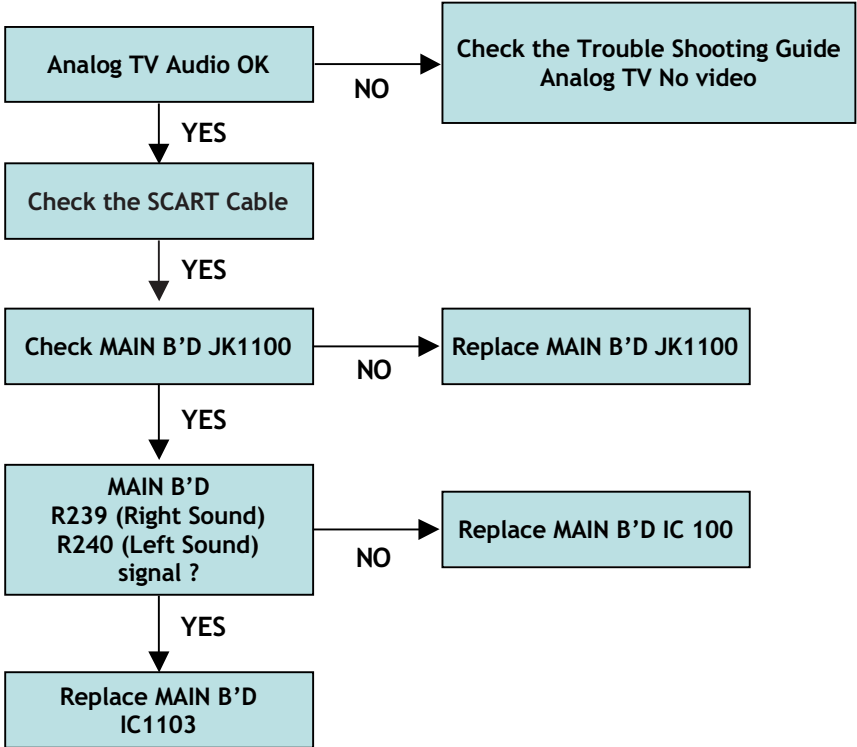
| | | | | | |
|---------------|----------------|----------------------------------|-----------------|--------------------|--------------|
| LCD TV | Symptom | HDMI-DTV No Audio Problem | Making | 2009. 2 . 1 | |
| | | | Revision | | 26/34 |

26~42LH2000
32~47LH3000/LH4000



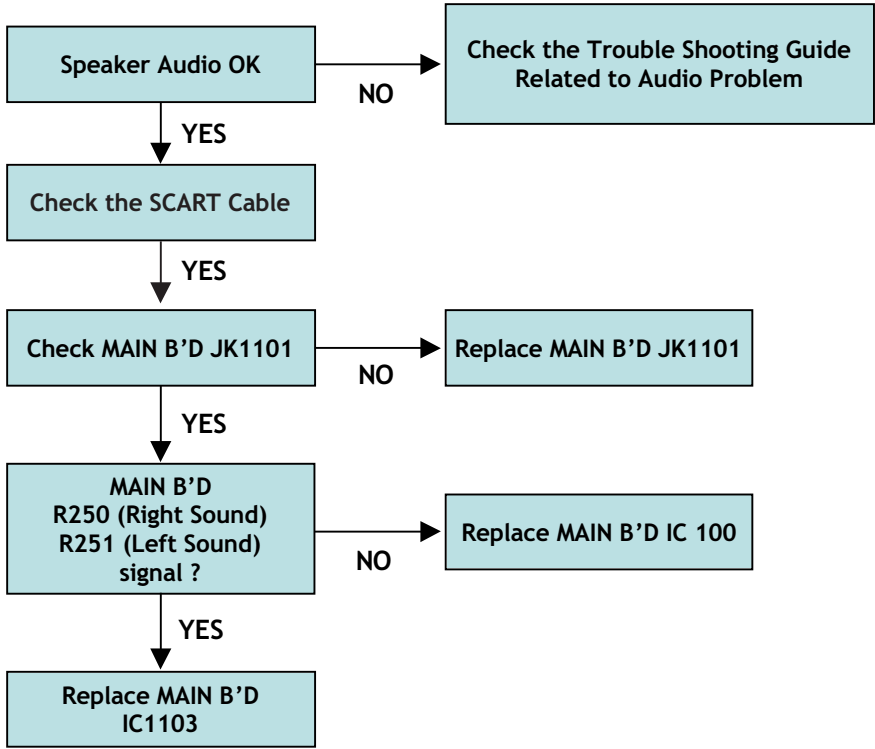
| | | | | | |
|---------------|----------------|---------------------------------|-----------------|--------------------|--------------|
| LCD TV | Symptom | AV1 No Audio Out Problem | Making | 2009. 2 . 1 | |
| | | | Revision | | 27/34 |

26~42LH2000
32~47LH3000/LH4000



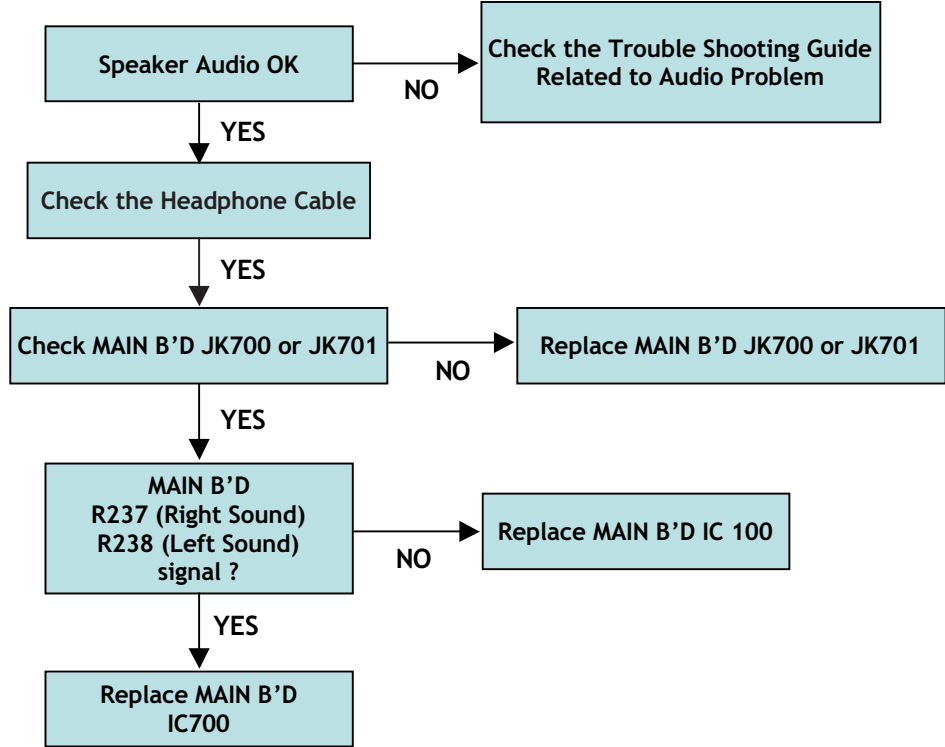
| | | | | | |
|---------------|----------------|---------------------------------|-----------------|--------------------|--------------|
| LCD TV | Symptom | AV2 No Audio Out Problem | Making | 2009. 2 . 1 | |
| | | | Revision | | 28/34 |

26~42LH2000
32~47LH3000/LH4000



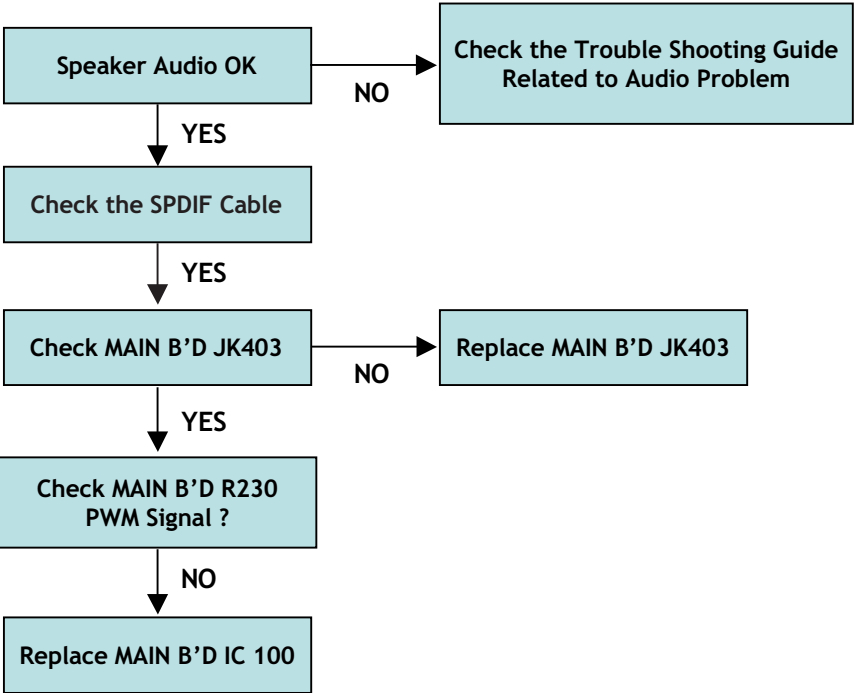
| | | | | | |
|---------------|---------|-----------------------------------|----------|-------------|-------|
| LCD TV | Symptom | Headphone No Audio Problem | Making | 2009. 2 . 1 | |
| | | | Revision | | 29/34 |

26~42LH2000
32~47LH3000/LH4000



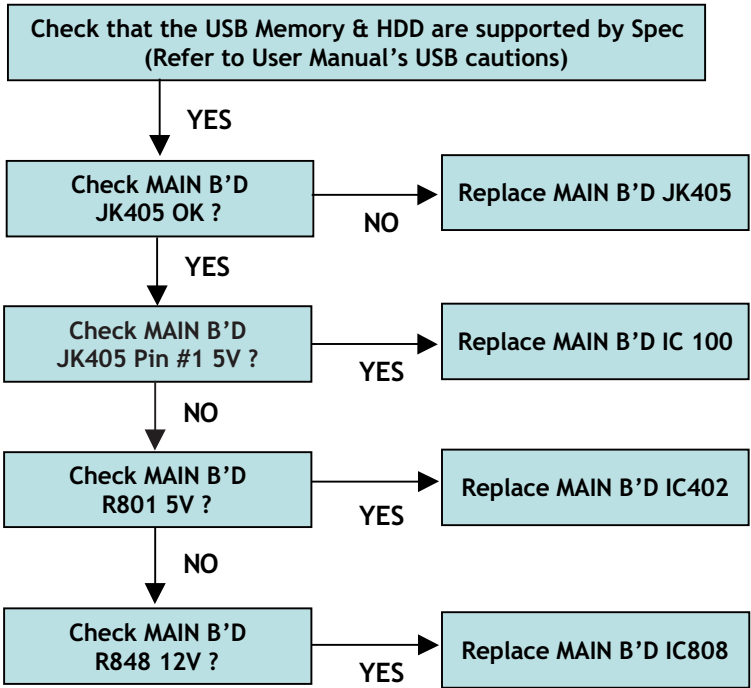
| | | | | | |
|---------------|----------------|-------------------------------|-----------------|--------------------|--------------|
| LCD TV | Symptom | SPDIF No Audio Problem | Making | 2009. 2 . 1 | |
| | | | Revision | | 30/34 |

26~42LH2000
32~47LH3000/LH4000



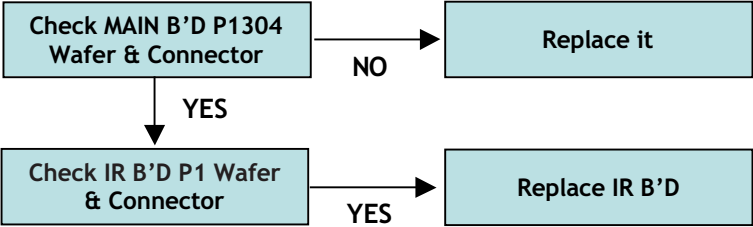
| | | | | | |
|---------------|----------------|-------------------------------|-----------------|--------------------|--------------|
| LCD TV | Symptom | USB No Connect Problem | Making | 2009. 2 . 1 | |
| | | | Revision | | 31/34 |

32~47LH4000



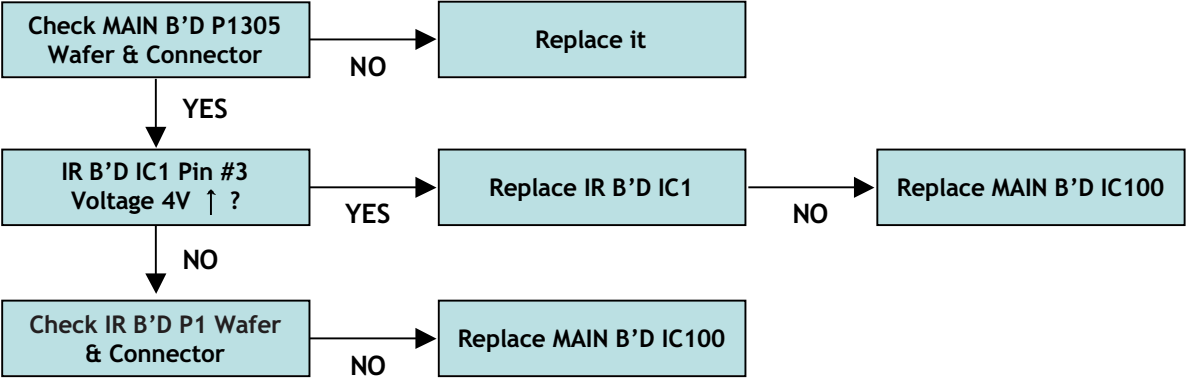
| | | | | | |
|---------------|----------------|-------------------------------|-----------------|--------------------|--------------|
| LCD TV | Symptom | Remote Control Problem | Making | 2009. 2 . 1 | |
| | | | Revision | | 32/34 |

26~42LH2000
32~47LH3000/LH4000



| | | | | | |
|---------------|----------------|-------------------------------|-----------------|--------------------|--------------|
| LCD TV | Symptom | Remote Control Problem | Making | 2009. 2 . 1 | |
| | | | Revision | | 33/34 |

19~22LH2000



| | | | | | |
|---------------|----------------|-----------------------------------|-----------------|-------------|-------|
| LCD TV | Symptom | Intelligent Sensor Problem | Making | 2009. 2 . 1 | |
| | | | Revision | | 34/34 |

32~47LH4000

