

8 7 6 5 4 3 2 1

D

D

C

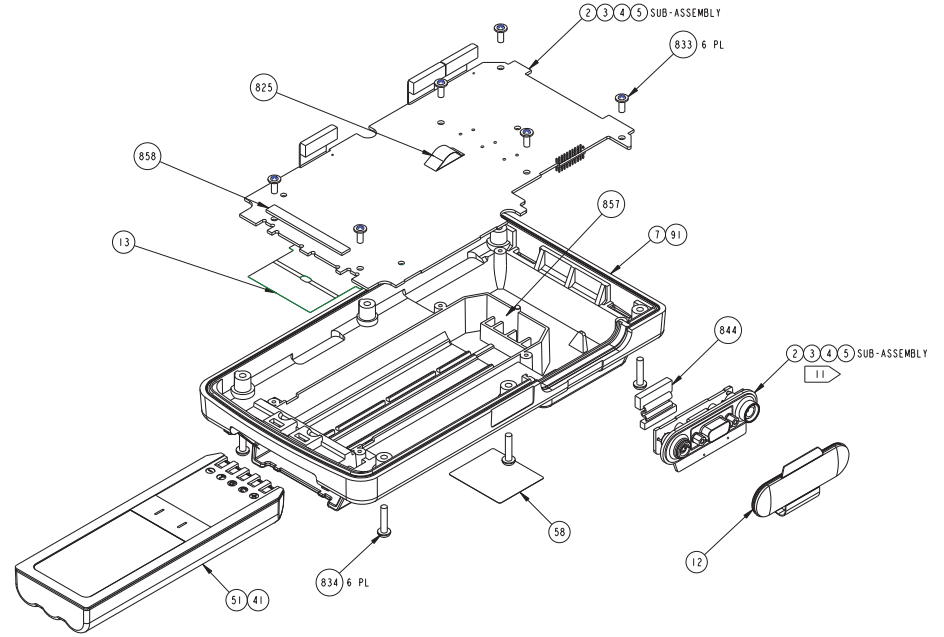
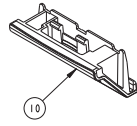
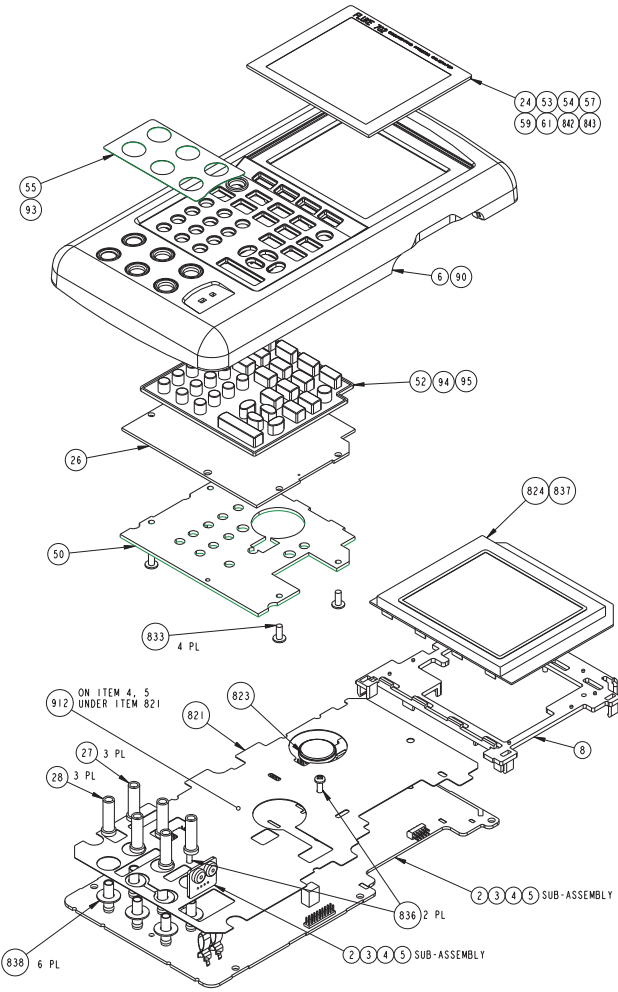
C

B

B

A

A



FLUKE FLUKE CORPORATION FCW
 P.O. BOX 9090 89536
 EVERETT, WA 98204-9090

DPC FINAL ASSEMBLY

<small>THIS DOCUMENT CONTAINS PROPRIETARY INFORMATION. IT IS THE PROPERTY OF FLUKE CORPORATION AND SHALL NOT BE REPRODUCED OR TRANSMITTED IN ANY FORM OR BY ANY MEANS, WITHOUT THE EXPRESS WRITTEN CONSENT OF FLUKE CORPORATION.</small>			
<small>PROPRIETARY NOTICE</small>	<small>PART NO.</small>	<small>SIZE</small>	<small>DRG. NO.</small>
TABLE	D	FLUKE-700-DPC	134
<small>SCALE: 0.800</small>	<small>SHEET 2 OF 2</small>		