



8 | 7 | 6 | 5 | 4 | 3 | 2 | 1

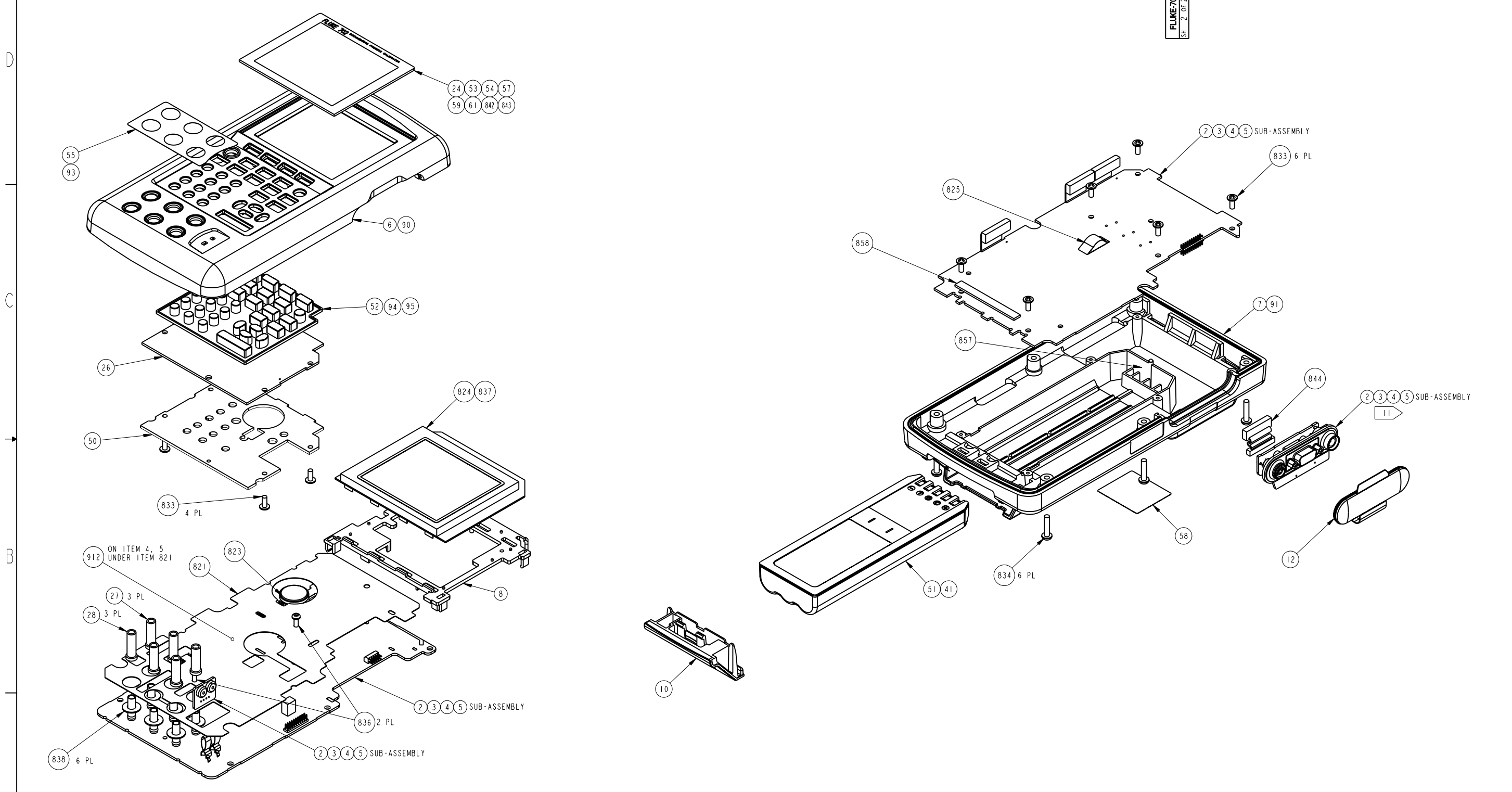
- NOTES: UNLESS OTHERWISE SPECIFIED
- WARNING : INDICATES USAGE OF MOS DEVICE (S) WHICH MAY BE DAMAGED BY STATIC DISCHARGE. USE SPECIAL HANDLING PER QSD 19.1.
 - ASSEMBLE PER WORKMANSHIP QSD 111.8.
 -
 - ITEMS 831, 833, AND 836 TO BE TORQUED TO #4 SPECIFICATIONS.
 - ITEM 834 TO BE TORQUED TO #6 SPECIFICATIONS.
 - TEST PER FLUKE-700-151 AND FLUKE-700-150.
 - APPLY MYLAR TAPE OVER OPENINGS ON INSIDE OF BOTTOM CASE WHERE BATTERY DOOR LATCHES.
 - THE CONTROLLING INFORMATION FOR THIS ASSEMBLY IS THE PART AND ASSEMBLY DATABASES.
 -
 - SEE THE FLUKE-700DPC-SW, THE DPC SOFTWARE CONFIGURATION GUIDE FOR PROGRAMING INFORMATION FOR THE FLASH MEMORY U103 AND U104.
-  A34 BOARD SHOWN AS SUBASSEMBLY OF ITEMS 3 AND 4. ITEMS 2 AND 5 HAVE A DIFFERENT A34 BOARD THAT USES AN I/O PLUG INSTEAD OF A 9 SOCKET CONNECTOR.

MODEL	PN
FLUKE-701 120	935994
FLUKE-701 INTL	946616
FLUKE-702 120	935999
FLUKE-702 INTL	946624
FLUKE-741 120	606811
FLUKE-741 INTL	606829
FLUKE-743 120	100039
FLUKE-743 INTL	100040
2020-INTL	606845
FLUKE-702H INTL	606563
FLUKE-741B 120	646968
FLUKE-741B INTL	646976
FLUKE-743B 120	646973
FLUKE-743B INTL	646981

LTR	DESCRIPTION	APPROVAL/DATE			
		DWN	CHK	APPRVD	APPRVD
D	RELEASE TO DOCUMENT CONTROL	MRW 11-95	TGM 12-95	GDK 12-95	MLK 12-95
E	DCO'S 52896, 52897, 52952, AND 52968 ADD 74X MODELS & UPDATE	MRW 6-96	TGM 7-8-96	GDK 7/8/96	ML 7/8/96
F	53190: SHT 1-REVISED NOTE 9. REVISED MODEL TABLE. SHT 2-ADDED ITEMS 56, 59 & 60. DELETED ITEM 909. REVISED DESC. OF ITEMS 926 & 943. ADDED ENTRY FOR "702H INTL" TO P/L TABLE. SHT 3-(ZND6) ADDED CALLOUT FOR ITEM 59.	K.P. 9/18/96			JGS 9/18/96
F1	53316: SHT1 REVISED NOTE 9, SHT2 DELETED ITEM 903, ADDED 92 TO 701-120, 701-INTL, 702-120, 702-INTL	LJP 10/25/96			S. ANGEL 10/25/96
G	53719: SHT 1-REVISED NOTE 9. SHT 2-ADDED ITEM 909.	K.P. 5/5/98			S. ANGEL 5/7/98
H	53734: SHT 1-DELETED NOTE 7. SHT 2-ADDED ITEM 940 TO 701-120, 702-120, 741-120 & 743-120. ITEM 945 WAS P/N 943741.	K.P. 5/5/98			S. ANGEL 5/7/98
J	53993: SHT 1-REVISED NOTE 9. ADDED NEW MODELS TO MODEL TABLE. SHT 2-ADDED NEW MODELS TO P/L TABLE. ADDED ITEMS 835, 837, 839, 840, 842 & 843. SHT 3-ADDED ITEM BALLOONS FOR ITEMS 837, 842 & 843 TO VIEWS.	K.P. 5/6/98			S. ANGEL 5/7/98
K	54018: SHT 2-ADDED ITEM 40 TO P/L. SHT 3-ADDED ITEM 40 TO VIEW.	K.P. 5/6/98			S. ANGEL 5/7/98
L	55472: SHT 2-ITEM 909 WAS P/N 606878. REVISED QTY COLUMN FOR ITEM 913.	K.P. 6/25/98			S. ANGEL 6/26/98
M	55829 & 55915: SHT 1-ADDED NOTE 7. SHT 2-ITEM 908 WAS P/N 769422, ITEM 910 WAS P/N 944020, ITEM 940 WAS P/N 943746, ITEM 945 WAS P/N 106200, ADDED ITEM 858, DELETED ITEMS 899 & 941. SHT 3-ADDED ITEM 858 TO VIEW.	K.P. 11/4/98		C.A. 11/9/98	
N	56116: ADDED NEW MODEL FOR 2020 INTL.	LJP 1/14/99			CMP 1/19/99
P	56291: SHT 2-DELETED ITEMS 40 & 999 FROM P/L. SHT 3-DELETED ITEM 40 FROM VIEW.	K.P. 3/16/99		C.A. 3/16/99	
100	SEE SHERPA (WORK STATEMENT W1001494).	K.P. 4/7/99			
101	SEE PDM (WORK STATEMENT W1001966).				
102	SEE PDM RECORD FOR DESCRIPTION OF REVISION (W1002595).				

<small>PROPRIETARY NOTICE</small> THIS DOCUMENT CONTAINS INFORMATION PROPRIETARY TO THE FLUKE CORPORATION, AND SHALL NOT BE USED FOR ENGINEERING DESIGN, PROCUREMENT OR MANUFACTURE IN WHOLE OR IN PART WITHOUT THE EXPRESS WRITTEN CONSENT OF THE FLUKE CORPORATION.		FLUKE FLUKE CORPORATION P.O. BOX 9090 EVERETT, WA 98206-9090		FCSM NO. 89536
<h2>DPC FINAL ASSEMBLY</h2>				
DWN	M WASHBURN	11-10-95		
CHK	T MOREY	11-10-95		
APPRVD	G KIRCHBERGER	11-10-95	PART NO. TABLE D SCALE NONE	DWG NO. FLUKE-700-DPC SHEET 1 OF 2
APPRVD	M LOCKMAN	11-10-95	REV 102	

FLUKE-700-DPC SHT. 2 OF 2 REV. 102	LTR	DESCRIPTION	APPROVAL/DATE			
			DWN	CHK	APPRVD	APPRVD



PROPRIETARY NOTICE THIS DOCUMENT CONTAINS INFORMATION PROPRIETARY TO THE FLUKE CORPORATION, AND SHALL NOT BE USED FOR ENGINEERING DESIGN, PROCUREMENT OR MANUFACTURE IN WHOLE OR IN PART WITHOUT THE EXPRESS WRITTEN CONSENT OF THE FLUKE CORPORATION.		FLUKE FLUKE CORPORATION P.O. BOX 9090 EVERETT, WA 98206-9090		FCSM NO. 89536
DWN		DPC FINAL ASSEMBLY		
CHK		PART NO.	SIZE	DWG NO.
APPRVD		TABLE D		FLUKE-700-DPC
APPRVD		SCALE	.8 : 1	REV 102
		SHEET	2 OF 2	