

8

7

6

5

↓

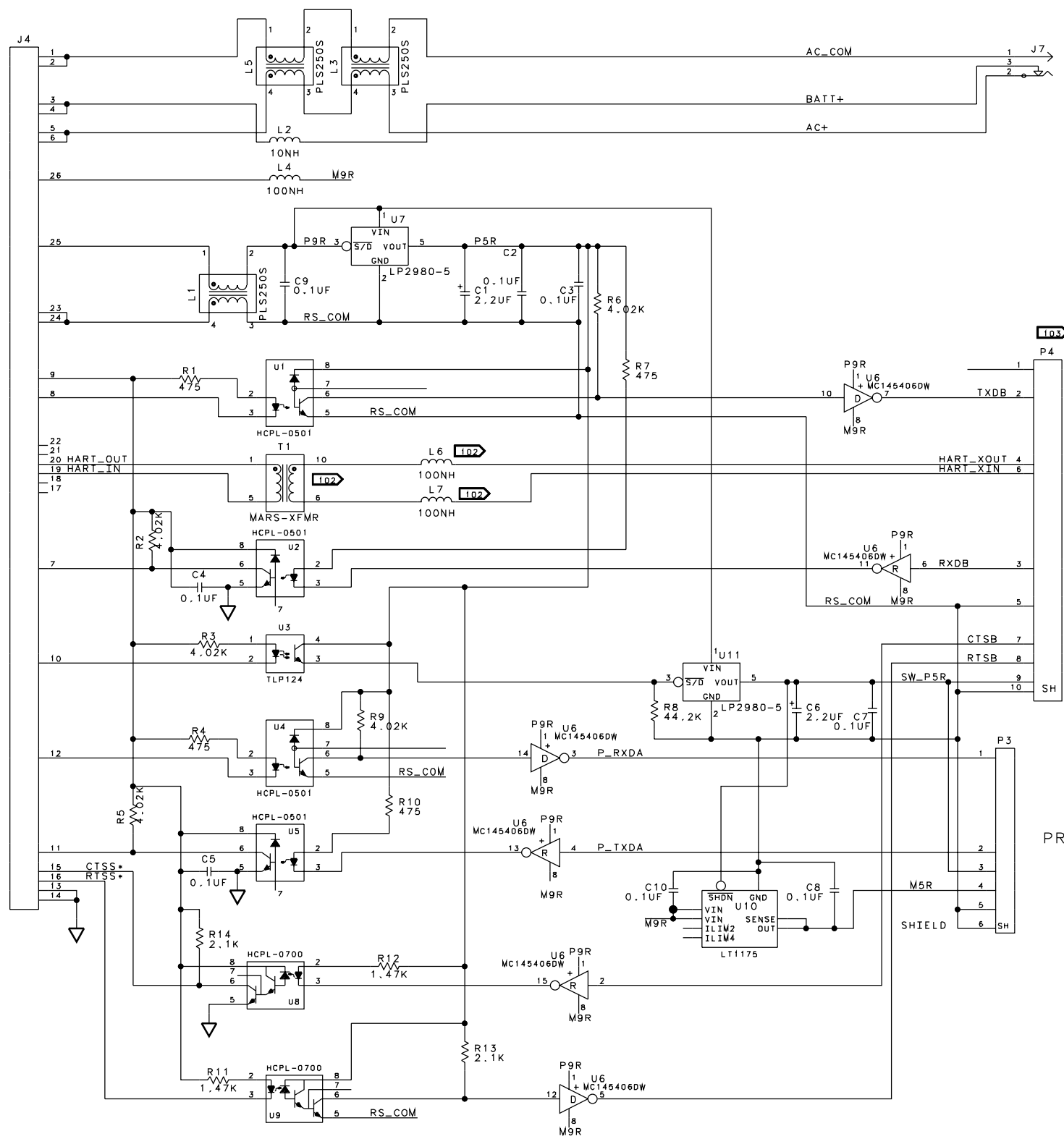
4

3

2

1

| REVISIONS | | APPROVAL/DATE | | | |
|-----------|--|---------------|-----|-----------|----------|
| LTR | DESCRIPTION | DWN | CHK | PROJ ENGR | MFG ENGR |
| - | CREATED FOR PROTOTYPE | J. D. W. | | | |
| A | PILOT1 | D. B. C. | | | |
| B | PILOT2 | D. B. C. | | | |
| C | PILOT3 | D. B. C. | | | |
| D | RELEASE TO DOCUMENT CONTROL | D. B. C. | | | |
| E | RELEASE TO DOCUMENT CONTROL | D. B. C. | | | |
| 100 | W1001925 SEE PDM RECORD FOR CHANGE DESCRIPTION | | | | |
| 101 | W1016705 SEE PDM RECORD FOR CHANGE DESCRIPTION | | | | |



AC ADAPTER

RS-232 INTERFACE

PRESSURE PORT

NOTES: UNLESS OTHERWISE SPECIFIED:
 101 ALL RESISTOR VALUES ARE IN OHMS.
 CAPACITOR VALUES ARE IN MICROFARADS.
 102 NOT INSTALLED ON 741/743
 103 NOT INSTALLED ON 741 ONLY

| REF DES | PARTNAME | P5R | RS_COM |
|---------|------------|-----|--------|
| U6 | MC145406DW | 16 | 9 |

PROPRIETARY NOTICE
 THIS DOCUMENT AND THE TECHNICAL DATA HEREON DISCLOSED ARE PROPRIETARY TO FLUKE CORPORATION, AND SHALL NOT BE REPRODUCED OR TRANSMITTED IN ANY FORM OR BY ANY MEANS, ELECTRONIC OR MECHANICAL, INCLUDING PHOTOCOPYING, RECORDING, OR BY ANY INFORMATION STORAGE AND RETRIEVAL SYSTEM, WITHOUT THE WRITTEN PERMISSION OF FLUKE CORPORATION. ANY UNAUTHORIZED REPRODUCTION OR USE OF THIS DOCUMENT OR THE TECHNICAL DATA HEREON IS PROHIBITED AND WILL BE SUBJECT TO PROSECUTION TO THE FULL EXTENT OF THE LAW.

| | | | | |
|----------------------------|--|-----------|----------|----------|
| FLUKE | FLUKE CORPORATION P.O. BOX C9090 EVERETT, WA 98206 | DWN | W. BRITZ | 05/03/95 |
| 89536 | DO NOT SCALE DRAWING | CHK | | |
| UNLESS OTHERWISE SPECIFIED | | PROJ ENGR | | |
| TOLERANCE | DIMENSIONS IN INCHES | MFG ENGR | | |
| .XX = +/- | XX = | FINISH | | |
| ANGLES = 45° | | | | |

| | | | |
|---|-----------|---------------------------|-----|
| LAST_MODIFIED= Tue Dec 12 07:29:32 2000 | | | |
| SCHEMATIC, CONNECTOR ASSEMBLY | | PART NO. SIZE DRAWING NO. | |
| FLUKE-744-1034 | | D FLUKE-744-1034 | |
| SCALE | SH 1 OF 1 | REV | 101 |

PROPRIETARY