

Thank you for purchasing this Factory Service Manual CD/DVD from servicemanuals4u.com.

Please check out our eBay auctions for more great deals on Factory Service Manuals:

[servicemanuals4u](http://servicemanuals4u.com)

maintenance & service guide

Presario 1200 Series

Model XL2, XL201, XL202, XL203, XL204, XL205, XL212, XL220, XL222, XL223, XL3, XL301, XL302, XL303, XL304, XL305, XL307, XL310, XL311, XL312, XL314, XL320, XL323, XL325, XL326, XL327, XL330

Removal Sequence

This chapter describes the removal and replacement process for the Presario 1200XL Series Notebook.

Electrostatic Discharge

When removing or replacing parts, be careful to discharge static electricity before touching the internal Notebook components. A sudden discharge of static electricity from a finger or other conductor can destroy static-sensitive devices or microcircuitry. Often the spark is neither felt nor heard, but damage occurs. An electronic device that has been exposed to electrostatic discharge (ESD) may not seem to be affected and work perfectly throughout a normal cycle. Although it may function normally for a period of time, it may have been degraded in the internal layers, reducing its life expectancy.

Networks built into many integrated circuits provide some protection, but in many cases, the discharge contains enough power to alter device parameters or melt silicon junctions.

Generating Static

The table below shows the amount of static electricity generated during common activities associated with servicing computers.

Event	Electrostatic Voltage		
	Relative Humidity		
	10%	40%	50%
Walking across carpet	35,000V	15,000V	7,500V
Walking across vinyl floor	12,000V	5,000V	3,000V
Motion of bench worker	6,000V	800V	400V
Removing DIPS from plastic tubes	2,000V	700V	400V
Removing DIPS from vinyl trays	11,500V	4,000V	2,000V
Removing DIPS from styrofoam	14,500V	5,000V	3,500V
Removing bubble pack from PCBs	26,000V	20,000V	7,000V
Packing PCBs in foam-lined box	21,000V	11,000V	5,000V

CAUTION: As little as 700 Volts can degrade Notebook components. Be sure to ground yourself before touching the Notebook or its subassemblies.

1.800.AT.COMPAQ

maintenance & service guide

Presario 1200 Series

Model XL2, XL201, XL202, XL203, XL204, XL205, XL212, XL220, XL222, XL223, XL3, XL301, XL302, XL303, XL304, XL305, XL307, XL310, XL311, XL312, XL314, XL320, XL323, XL325, XL326, XL327, XL330

Tool and Software Requirements

The following items are required to service the Notebook:

- Torx T-9 screwdriver
- 5mm nut drivers (for screwlocks and standoffs)
- Small standard screwdriver
- Small Phillips screwdriver
- Diagnostics software

Screws

The screws used in the Notebook are not interchangeable. If an incorrect screw is used during the reassembly process, it can damage the unit. Compaq strongly recommends that all screws removed during disassembly be kept with the part that was removed, then returned to their proper locations.

Important: As each subassembly is removed from the Notebook, place it away from the work area to prevent damage.

Note: Compaq Presario 1200XL Series Portable Notebooks have several screws of various sizes that are **not** interchangeable. Care must be taken during reassembly to ensure that the correct screws are used in their correct location. During removal keep respective screws with their associated subassembly.

Connectors and Plastic Parts

Plastic parts can be damaged by the use of excessive force during disassembly and reassembly. When handling plastic parts, use care. Apply pressure only at the points designated in the instructions. Most of the connectors in these Notebooks are [ZIF Connectors](#).


maintenance & service guide

Presario 1200 Series

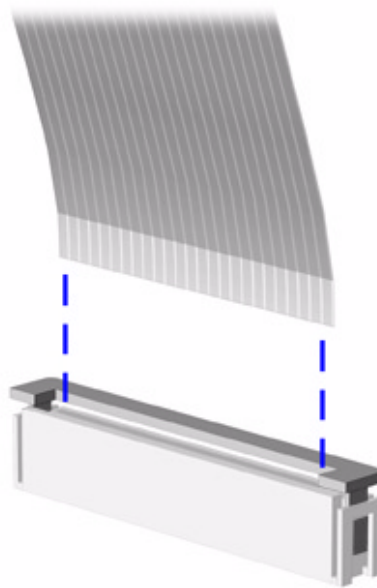
Model XL2, XL201, XL202, XL203, XL204, XL205, XL212, XL220, XL222, XL223, XL3, XL301, XL302, XL303, XL304, XL305, XL307, XL310, XL311, XL312, XL314, XL320, XL323, XL325, XL326, XL327, XL330


ZIF Connector

The 1200XL Series Notebooks use zero insertion force (ZIF) connectors on the system board.

 **CAUTION:** A ZIF connector and its attached cable can be easily damaged. Handle only the connector slide when removing or replacing a cable. Never pull or twist on the cable while it is connected.

To remove a cable from a ZIF connector, lift both corners of the ZIF connector and slide the cable out simultaneously with constant light force.



 **CAUTION:** When servicing this Notebook, ensure that cables are placed in their proper location during the reassembly process. Improper cable placement can damage the Notebook.

maintenance & service guide

Presario 1200 Series


Model XL2, XL201, XL202, XL203, XL204, XL205, XL212, XL220, XL222, XL223, XL3, XL301, XL302, XL303, XL304, XL305, XL307, XL310, XL311, XL312, XL314, XL320, XL323, XL325, XL326, XL327, XL330

Cables

Most cables used throughout the unit are ribbon cables.

Cables must be handled with extreme care to avoid damage. Use the following precautions when handling cables to avoid damage to the cable and Notebook:

- Always handle cables by their connectors.
- In all cases, avoid bending, twisting, pulling, or tearing cables.
- Apply only the minimum force required to seat or unseat cables from their connectors.
- Place the cables in such a manner that they cannot be caught or snagged by parts being removed or replaced.
- Handle flex cables with extreme care; they can tear easily.

 **CAUTION:** When servicing these Notebooks, ensure that cables are placed in their proper location during the reassembly process. Improper cable placement can cause severe damage to the unit.

The following illustrations show the proper placement for each cable:

- [Diskette Drive Ribbon Cable](#)
- [Keyboard Ribbon Cable](#)
- [Speaker Assembly Cable](#)
- [Hard Drive Ribbon Cable](#)

maintenance & service guide

Presario 1200 Series

Model XL2, XL201, XL202, XL203, XL204, XL205, XL212, XL220, XL222, XL223, XL3, XL301, XL302, XL303, XL304, XL305, XL307, XL310, XL311, XL312, XL314, XL320, XL323, XL325, XL326, XL327, XL330

Diskette Drive Ribbon Cable

The ribbon cable position for the diskette drive is shown below.



CAUTION: When servicing this Notebook, ensure that cables are placed in their proper location during the reassembly process. Improper cable placement can damage the Notebook.

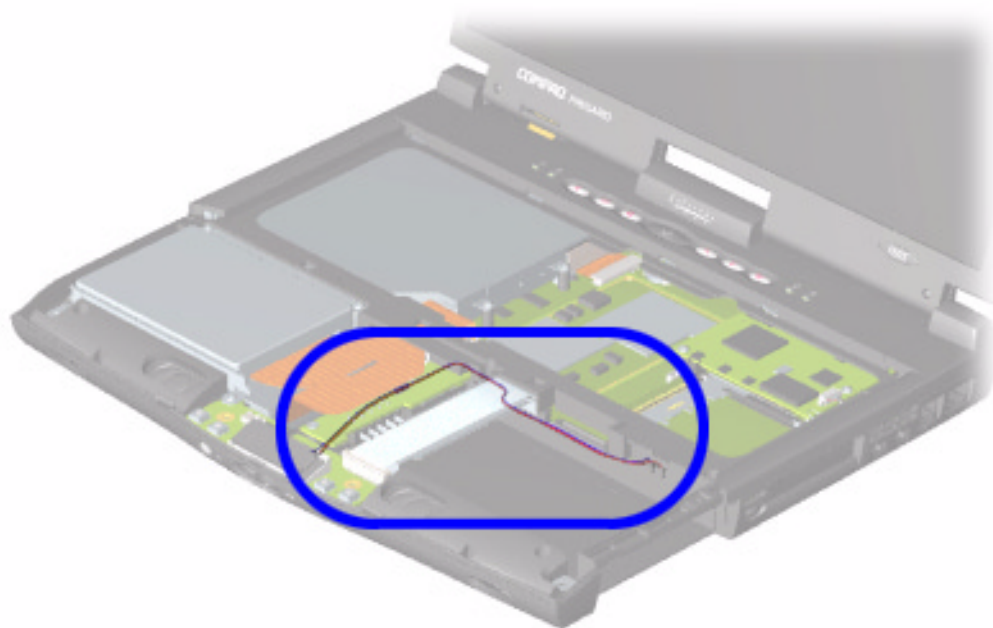
maintenance & service guide

Presario 1200 Series

Model XL2, XL201, XL202, XL203, XL204, XL205, XL212, XL220, XL222, XL223, XL3, XL301, XL302, XL303, XL304, XL305, XL307, XL310, XL311, XL312, XL314, XL320, XL323, XL325, XL326, XL327, XL330

Speaker Assembly Cable

The cable position for the speaker assembly is shown below. The cable is routed under the battery charger board and under the edge of the system board.



CAUTION: When servicing this Notebook, ensure that cables are placed in their proper location during the reassembly process. Improper cable placement can damage the Notebook.

maintenance & service guide

Presario 1200 Series

Model XL2, XL201, XL202, XL203, XL204, XL205, XL212, XL220, XL222, XL223, XL3, XL301, XL302, XL303, XL304, XL305, XL307, XL310, XL311, XL312, XL314, XL320, XL323, XL325, XL326, XL327, XL330

Keyboard Ribbon Cable

The ribbon cable position for the keyboard is shown below.



CAUTION: When servicing this Notebook, ensure that cables are placed in their proper location during the reassembly process. Improper cable placement can damage the Notebook.

maintenance & service guide

Presario 1200 Series

Model XL2, XL201, XL202, XL203, XL204, XL205, XL212, XL220, XL222, XL223,
XL3, XL301, XL302, XL303, XL304, XL305, XL307, XL310, XL311,
XL312, XL314, XL320, XL323, XL325, XL326, XL327, XL330

Hard Drive Ribbon Cable

The ribbon cable position for the hard drive is shown below.



CAUTION: When servicing the Notebook, ensure that cables are placed in their proper location during the reassembly process. Improper cable placement can damage the Notebook.

maintenance & service guide

Presario 1200 Series


Model XL2, XL201, XL202, XL203, XL204, XL205, XL212, XL220, XL222, XL223, XL3, XL301, XL302, XL303, XL304, XL305, XL307, XL310, XL311, XL312, XL314, XL320, XL323, XL325, XL326, XL327, XL330


Preparing for Disassembly

Before beginning the removal or replacement of any Notebook components, complete the following steps:

1. Disconnect AC power and any external devices.
2. Remove the battery pack ([pg 10](#)).
3. Remove any PC Cards.

Important: The battery pack should be removed before performing any internal maintenance on the Notebook.

 **WARNING:** The Battery Pack contains harmful components when exposed. Do not open, crush, puncture, or incinerate the battery pack. It contains no field-serviceable parts. Dispose of battery packs properly. Failure to dispose of battery packs correctly may cause harm to humans, animals, and the environment.

 **CAUTION:** Metal objects can damage the battery pack as well as the battery contacts in the battery compartment. To prevent damage, do not allow metal objects to touch the battery contacts. Place only the battery pack for the Compaq Presario 1200XL Series Portable Notebooks into the battery compartment. Do not force the battery pack into the bay if insertion does not occur easily. Do not open a battery pack; opening causes damage to the pack, making it unuseable.

Note: Compaq Presario 1200XL Series Portable Notebooks have several screws of various sizes that are **not** interchangeable. Care must be taken during reassembly to ensure that the correct screws are used in their correct location. During removal keep respective screws with their associated subassembly.

Important: As each component is removed from the Notebook, place the screws and its associates away from the work area to prevent damage.

Presario 1200 Series

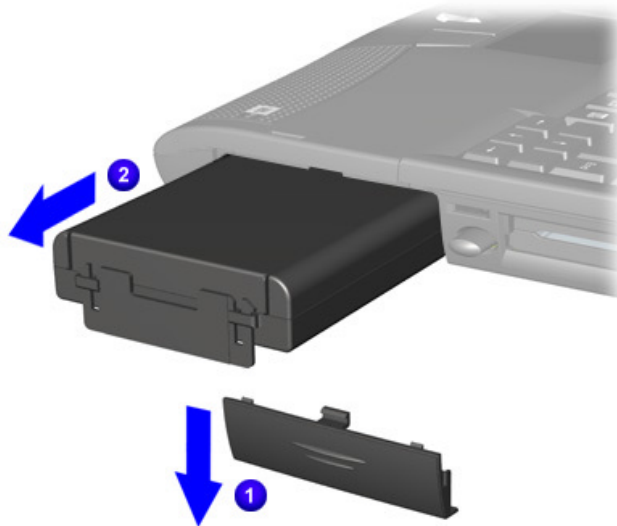
Model XL2, XL201, XL202, XL203, XL204, XL205, XL212, XL220, XL222, XL223, XL3, XL301, XL302, XL303, XL304, XL305, XL307, XL310, XL311, XL312, XL314, XL320, XL323, XL325, XL326, XL327, XL330

Removal Procedures

Battery Pack

To remove the battery pack, complete the following steps:

1. Slide ❶ the battery compartment door down and remove it from the chassis.
2. Pull ❷ the battery from the chassis by the tab located on the end of the battery pack.



To replace the battery, reverse these procedures.

Important: The battery pack should be removed before performing any internal maintenance on the Notebook.

WARNING: Metal objects can damage the battery pack as well as the battery contacts in the battery compartment. To prevent damage, do not allow metal objects to touch the battery contacts. Place only the battery pack for Compaq Presario 1200XL Series Portable Notebooks into the battery compartment. Do not force the battery pack into the bay if insertion does not occur easily.

CAUTION: Do not crush, puncture, or incinerate the battery pack. Do not open a battery pack; this action damages the pack, makes it unusable, and exposes potentially harmful battery components. No field-serviceable parts are located inside the battery pack.

maintenance & service guide

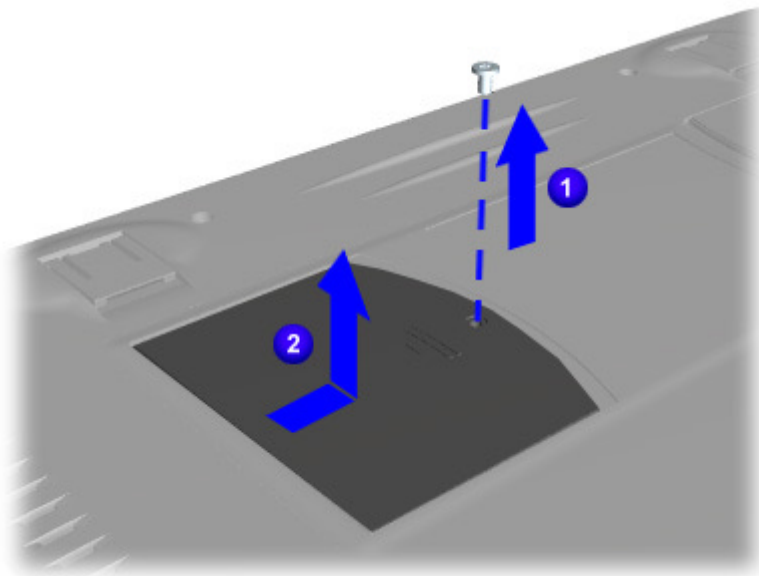
Presario 1200 Series

Model XL2, XL201, XL202, XL203, XL204, XL205, XL212, XL220, XL222, XL223, XL3, XL301, XL302, XL303, XL304, XL305, XL307, XL310, XL311, XL312, XL314, XL320, XL323, XL325, XL326, XL327, XL330

Modem

To remove the modem, complete the following steps:

1. Prepare the Notebook for disassembly ([pg 9](#)).
2. Close the display, turn Notebook upside down and locate the modem compartment (left side when the front of the Notebook is toward you).
3. Remove one screw **1** from the modem door, **2** slide the door forward and then lift to remove it.



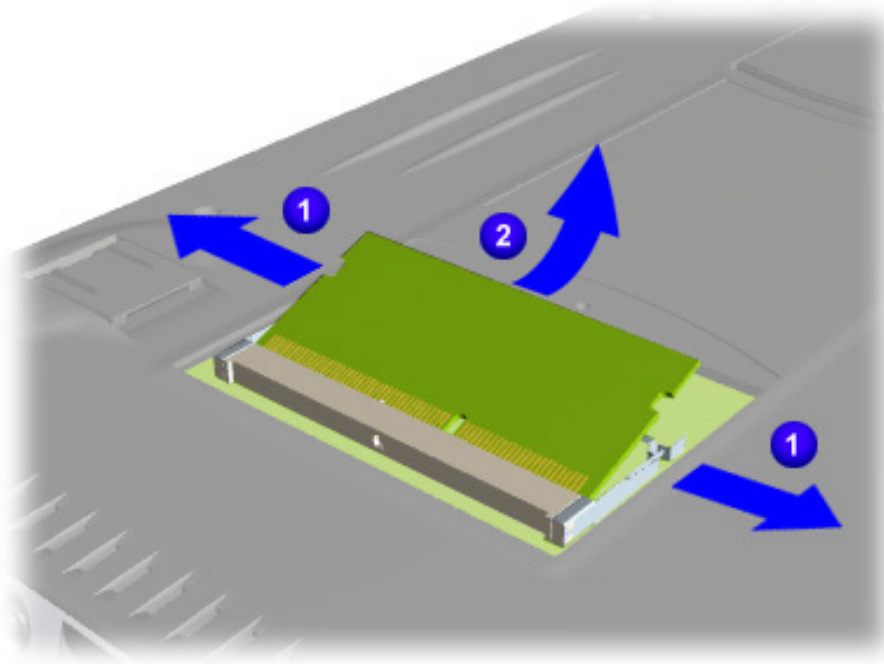
[Continued on the next page](#)

maintenance & service guide

Presario 1200 Series

Model XL2, XL201, XL202, XL203, XL204, XL205, XL212, XL220, XL222, XL223, XL3, XL301, XL302, XL303, XL304, XL305, XL307, XL310, XL311, XL312, XL314, XL320, XL323, XL325, XL326, XL327, XL330

4. Pull ❶ the two side latches to release the modem and ❷ lift the modem from the system board connector.



To replace the modem board, reverse these procedures.

maintenance & service guide

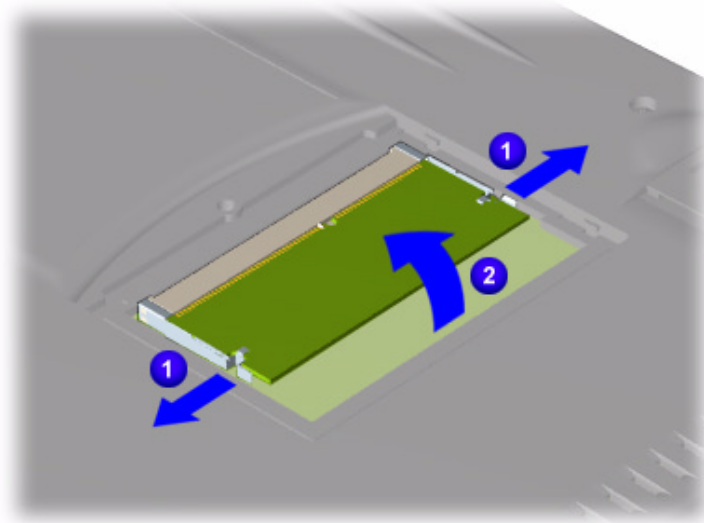
Presario 1200 Series

Model XL2, XL201, XL202, XL203, XL204, XL205, XL212, XL220, XL222, XL223, XL3, XL301, XL302, XL303, XL304, XL305, XL307, XL310, XL311, XL312, XL314, XL320, XL323, XL325, XL326, XL327, XL330

Memory Module

To remove the memory module, complete the following steps:

1. Prepare the Notebook for disassembly ([pg 9](#)).
2. Close the display and turn the Notebook upside down.
3. Remove the screw from the memory compartment.
4. With the front of the Notebook facing you, slide the door to the left and lift.
5. Pull ① the side levers to release the memory module and lift ② it off the connector on the system board.



To replace the memory module, reverse these procedures.

maintenance & service guide

Presario 1200 Series

Model XL2, XL201, XL202, XL203, XL204, XL205, XL212, XL220, XL222, XL223, XL3, XL301, XL302, XL303, XL304, XL305, XL307, XL310, XL311, XL312, XL314, XL320, XL323, XL325, XL326, XL327, XL330

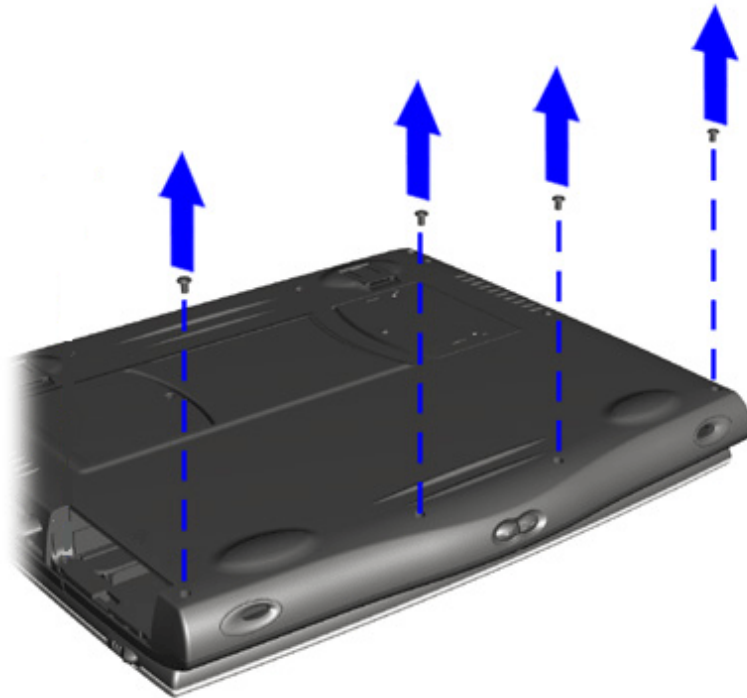
Palmrest Cover with TouchPad

Note: Compaq Presario 1200XL Series Portable Notebooks have several screws of various sizes that are **not** interchangeable. Care must be taken during reassembly to ensure that the correct screws are used in their correct location. During removal keep respective screws with their associated subassembly.

Note: components of the Notebook.

To remove the Palmrest cover with TouchPad, complete the following steps:

1. Prepare the Notebook for disassembly ([pg 9](#)).
2. Close the display and turn the Notebook upside down.
3. Remove five screws from underneath the Notebook.



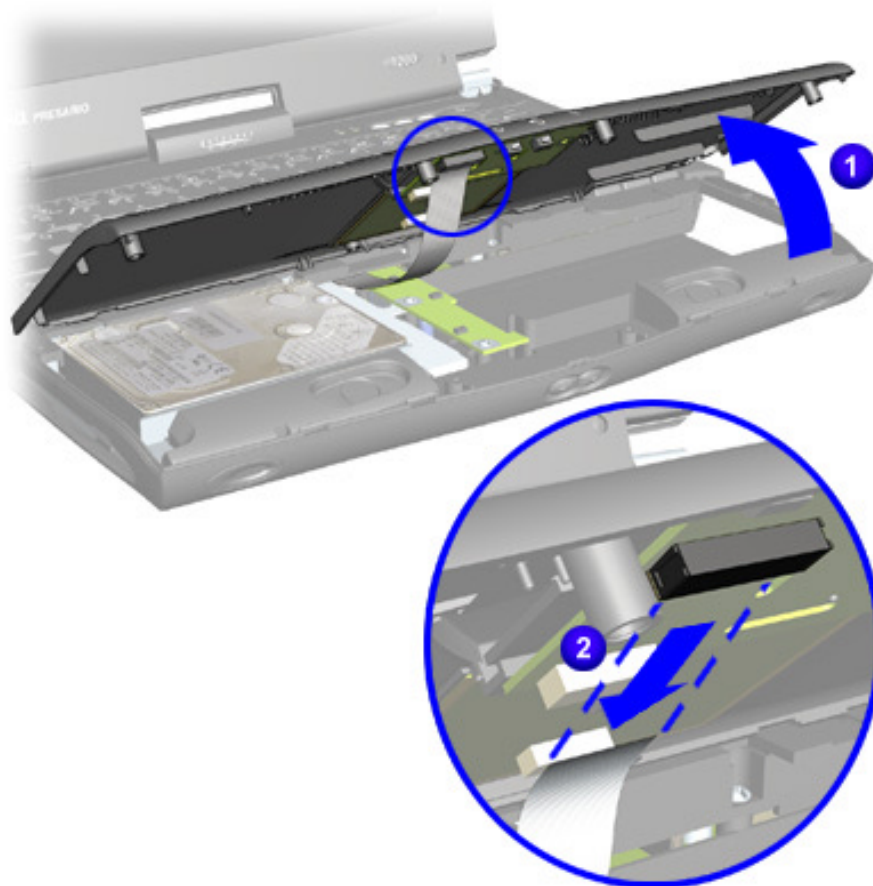
[Continued on next page](#)

maintenance & service guide

Presario 1200 Series

Model XL2, XL201, XL202, XL203, XL204, XL205, XL212, XL220, XL222, XL223, XL3, XL301, XL302, XL303, XL304, XL305, XL307, XL310, XL311, XL312, XL314, XL320, XL323, XL325, XL326, XL327, XL330

4. Turn the Notebook right side up.
5. Pull the display release latches and open the display assembly.
6. Lift up ① the front end of the Palmrest cover, ② disconnect the flex cable from the underside of the Palmrest LED and Volume Control board.
7. Lift the cover off the unit.



To replace the Palmrest cover with TouchPad, reverse these procedures.

maintenance & service guide

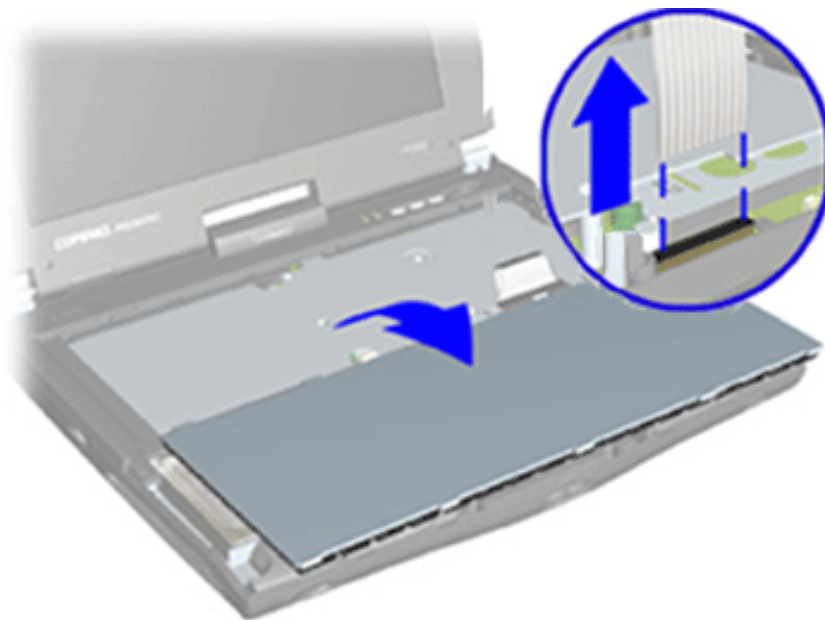
Presario 1200 Series

Model XL2, XL201, XL202, XL203, XL204, XL205, XL212, XL220, XL222, XL223, XL3, XL301, XL302, XL303, XL304, XL305, XL307, XL310, XL311, XL312, XL314, XL320, XL323, XL325, XL326, XL327, XL330

Keyboard

To remove the keyboard, complete the following steps:

1. Prepare the Notebook for disassembly ([pg 9](#)).
2. Remove the Palmrest cover with TouchPad ([pg 14](#)).
3. Gently lift up the front of the keyboard, slide it forward, and then turn the keyboard over allowing it to rest where the Palmrest cover normally sits.
4. Disconnect the flex cable from the [ZIF Connector](#) on the system board and remove the keyboard.



To replace the keyboard, reverse these procedures.

When replacing the keyboard, the [Keyboard Ribbon Cable](#) should fold behind the [ZIF Connector](#) rather than underneath the keyboard.

maintenance & service guide

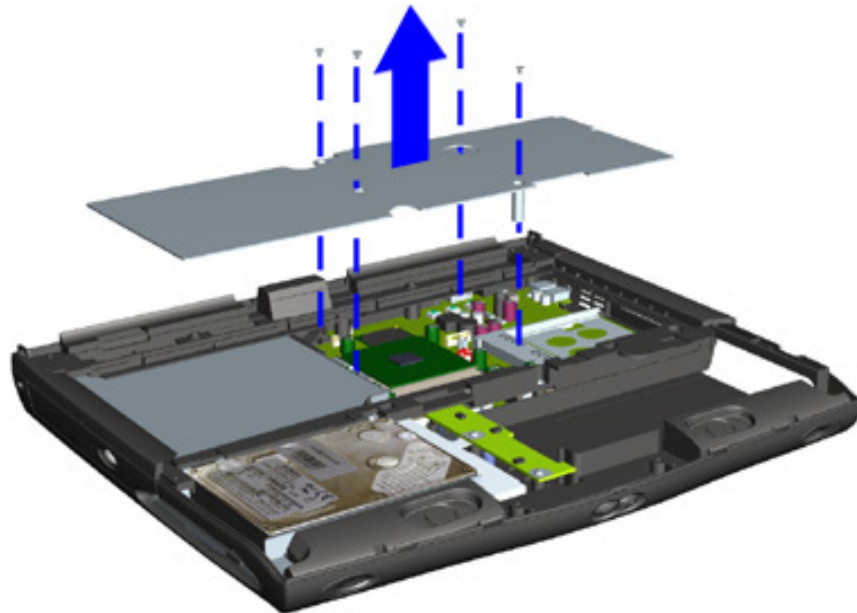
Presario 1200 Series

Model XL2, XL201, XL202, XL203, XL204, XL205, XL212, XL220, XL222, XL223, XL3, XL301, XL302, XL303, XL304, XL305, XL307, XL310, XL311, XL312, XL314, XL320, XL323, XL325, XL326, XL327, XL330

Heatspreader

To remove the Heatspreader, complete the following steps:

1. Prepare the Notebook for disassembly ([pg 9](#)).
2. Remove the Palmrest cover with TouchPad ([pg 14](#)).
3. Remove the keyboard ([pg 16](#)).
4. Remove four screws from the Heatspreader and lift out of the chassis.



To replace the Heatspreader, reverse these procedures.

Note: If the thermal pads on the Heatspreader are missing or damaged, a new Heatspreader should be installed.

Important: Before installing the new Heatspreader, remove the plastic covering from the thermal pads.



To prevent damage, do not use excessive force when replacing the screws.

maintenance & service guide

Presario 1200 Series

Model XL2, XL201, XL202, XL203, XL204, XL205, XL212, XL220, XL222, XL223,
XL3, XL301, XL302, XL303, XL304, XL305, XL307, XL310, XL311,
XL312, XL314, XL320, XL323, XL325, XL326, XL327, XL330

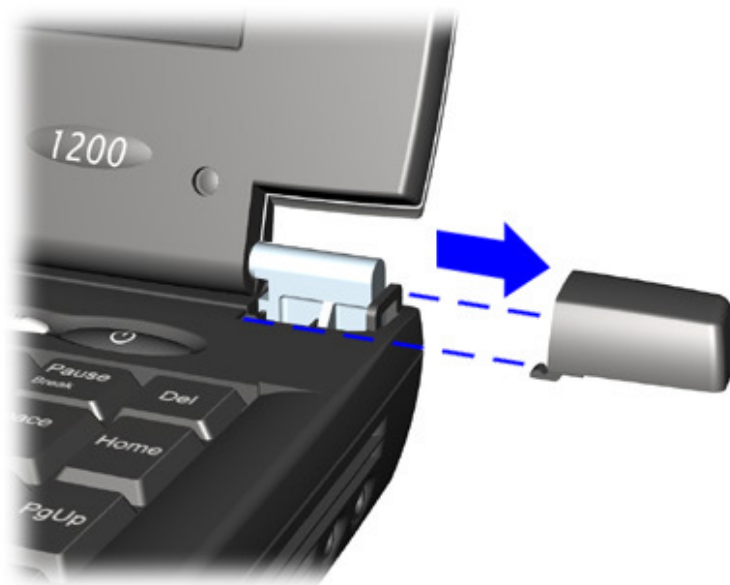
Internet Zone Cover

(Status Panel Assembly)

Note: Illustrations may show parts removed that are not part of this procedure. It is necessary to remove only the parts listed in the written procedure.

To remove the Internet Zone cover, complete the following steps:

1. Prepare the Notebook for disassembly ([pg 9](#)).
2. Remove the Palmrest Cover with TouchPad ([pg 14](#)).
3. Remove the Keyboard ([pg 16](#)).
4. Open the display, squeeze the sides of the display hinge covers and slide them off the hinges.



[Continued on next page](#)

maintenance & service guide

Presario 1200 Series

Model XL2, XL201, XL202, XL203, XL204, XL205, XL212, XL220, XL222, XL223,
XL3, XL301, XL302, XL303, XL304, XL305, XL307, XL310, XL311,
XL312, XL314, XL320, XL323, XL325, XL326, XL327, XL330

5. Close the Display, turn the unit upside down, and then remove two screws that secure the Internet Zone cover to the chassis located in the back of the Notebook.



[Continued on next page](#)

maintenance & service guide

Presario 1200 Series

Model XL2, XL201, XL202, XL203, XL204, XL205, XL212, XL220, XL222, XL223, XL3, XL301, XL302, XL303, XL304, XL305, XL307, XL310, XL311, XL312, XL314, XL320, XL323, XL325, XL326, XL327, XL330

6. Remove the two innermost screws from the display hinges that secure the status panel to the chassis.



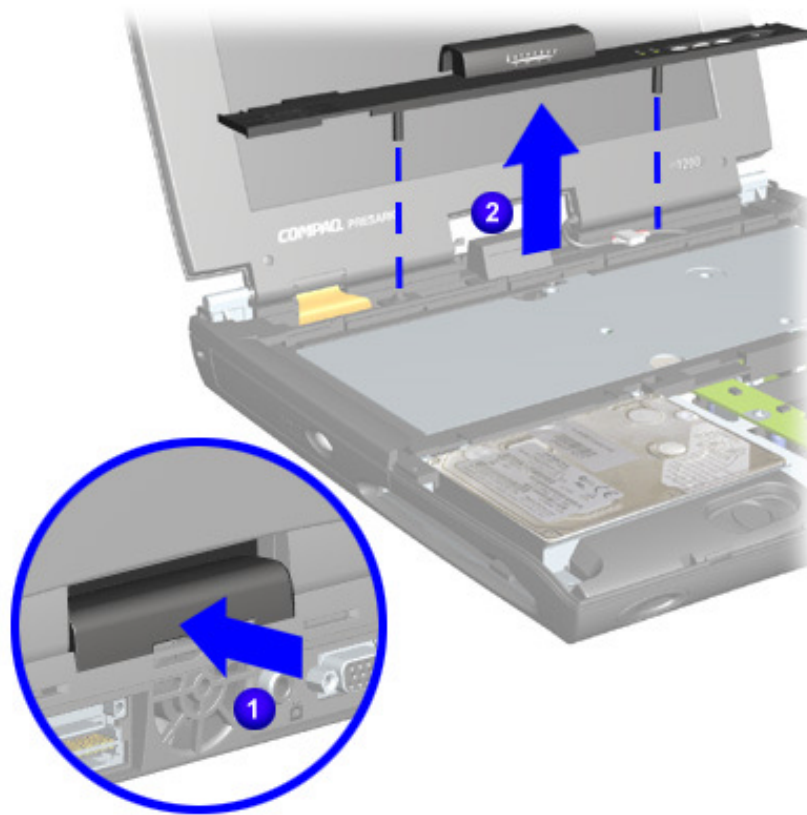
[Continued on next page](#)

maintenance & service guide

Presario 1200 Series

Model XL2, XL201, XL202, XL203, XL204, XL205, XL212, XL220, XL222, XL223, XL3, XL301, XL302, XL303, XL304, XL305, XL307, XL310, XL311, XL312, XL314, XL320, XL323, XL325, XL326, XL327, XL330

7. Turn the unit right side up and open the display.
8. Lift ❶ up one corner of the Internet Zone cover and push forward from the back (center piece) to release the snaps on the Internet Zone cover.
9. Remove ❷ Internet Zone cover from the chassis.



To replace the status panel assembly, reverse these procedures.

maintenance & service guide

Presario 1200 Series

Model XL2, XL201, XL202, XL203, XL204, XL205, XL212, XL220, XL222, XL223, XL3, XL301, XL302, XL303, XL304, XL305, XL307, XL310, XL311, XL312, XL314, XL320, XL323, XL325, XL326, XL327, XL330

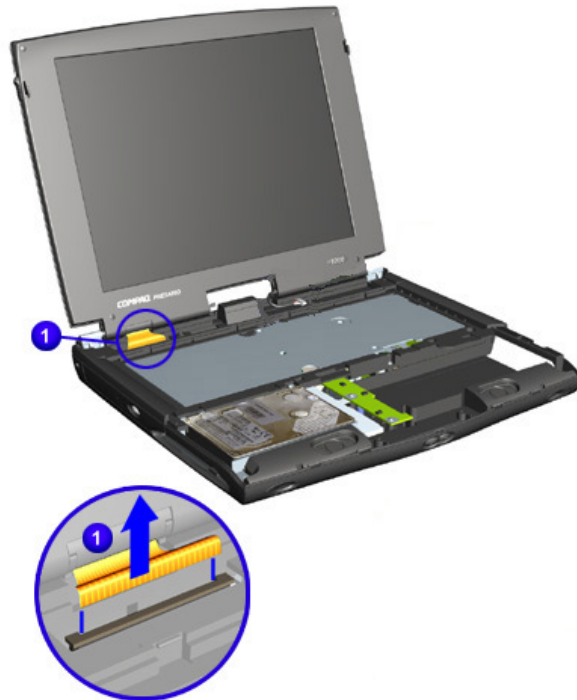
LVDS Board

(Available only on models with a TFT display panel)

Note: Illustrations may show parts removed that are not part of this procedure. It is necessary to remove only the parts listed in the written procedure.

To remove the internet button board, complete the following steps:

1. Prepare the Notebook for disassembly ([pg 9](#)).
2. Remove the Internet Zone cover ([pg 18](#)).
3. Carefully disconnect the display flex cable ①.



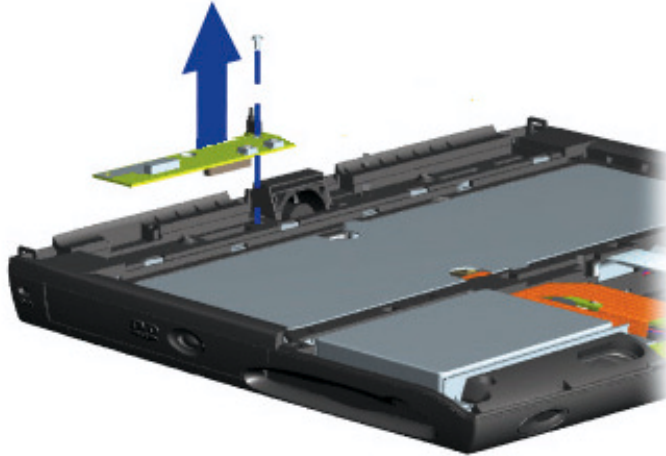
[Continued on the next page](#)

maintenance & service guide

Presario 1200 Series

Model XL2, XL201, XL202, XL203, XL204, XL205, XL212, XL220, XL222, XL223, XL3, XL301, XL302, XL303, XL304, XL305, XL307, XL310, XL311, XL312, XL314, XL320, XL323, XL325, XL326, XL327, XL330

4. Remove one screw securing the LVDS button board and remove it from the chassis.



To replace the LVDS button board, reverse these procedures.

maintenance & service guide

Presario 1200 Series

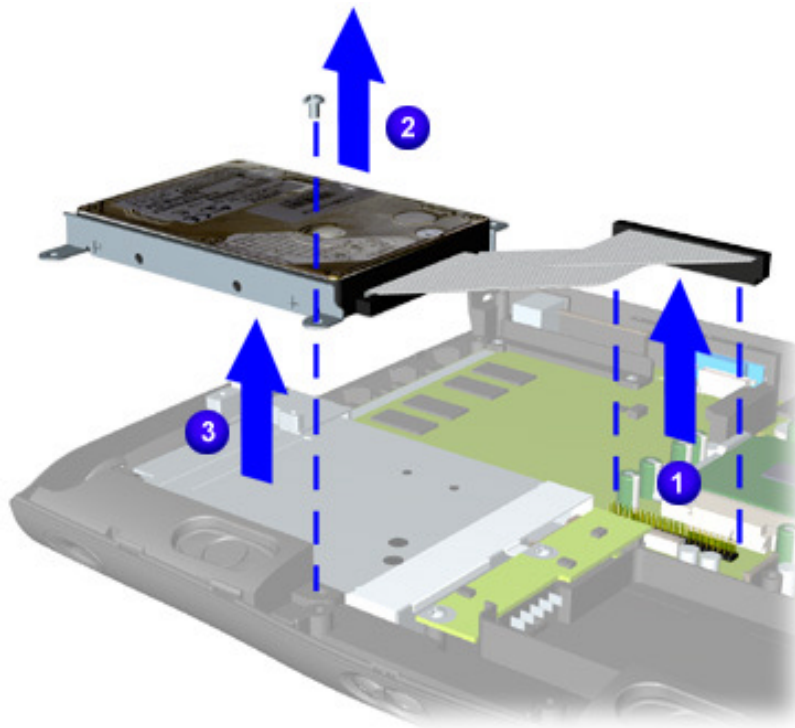
Model XL2, XL201, XL202, XL203, XL204, XL205, XL212, XL220, XL222, XL223, XL3, XL301, XL302, XL303, XL304, XL305, XL307, XL310, XL311, XL312, XL314, XL320, XL323, XL325, XL326, XL327, XL330

Hard Drive

Note: Illustrations may show parts removed that are not part of this procedure. It is necessary to remove only the parts listed in the written procedure.

To remove the hard drive, complete the following steps:

1. Prepare the unit for disassembly ([pg 9](#)).
2. Remove the Palmrest cover with TouchPad ([pg 14](#)).
3. Remove the four screws from the hard drive mounting bracket.
4. Disconnect the hard drive ribbon cable.
5. Lift out the hard drive with mounting brackets attached.



[Continued on next page](#)

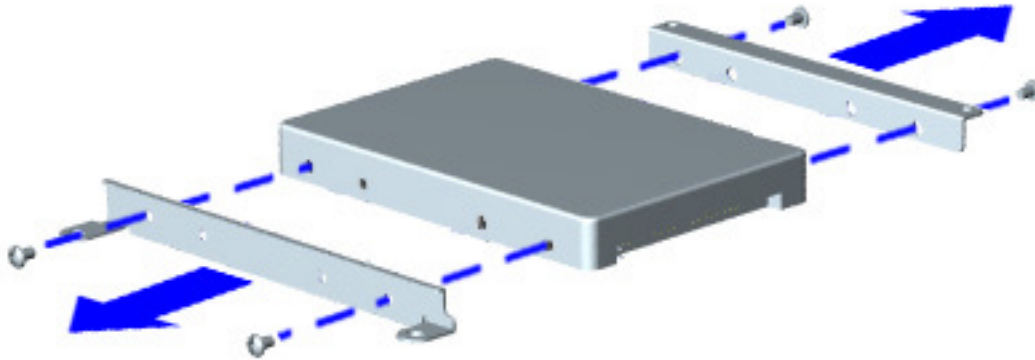
maintenance & service guide

Presario 1200 Series

Model XL2, XL201, XL202, XL203, XL204, XL205, XL212, XL220, XL222, XL223,
XL3, XL301, XL302, XL303, XL304, XL305, XL307, XL310, XL311,
XL312, XL314, XL320, XL323, XL325, XL326, XL327, XL330

Hard Drive Mounting Brackets

To remove the hard drive mounting brackets, remove two screws from each side of the hard drive.



To replace the hard drive and mounting brackets, reverse these procedures.

maintenance & service guide

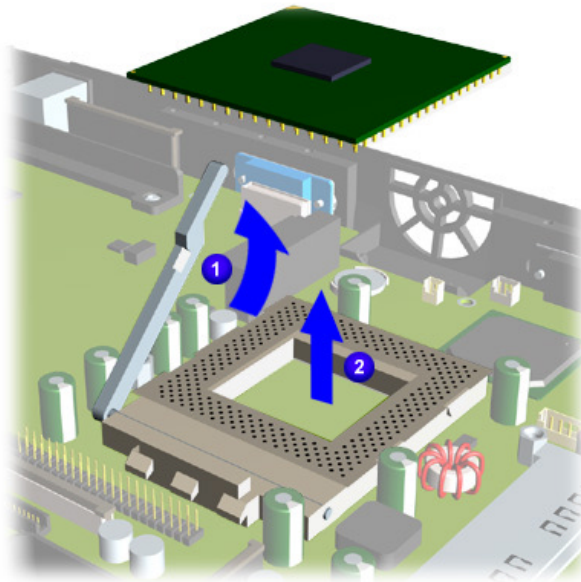
Presario 1200 Series

Model XL2, XL201, XL202, XL203, XL204, XL205, XL212, XL220, XL222, XL223,
XL3, XL301, XL302, XL303, XL304, XL305, XL307, XL310, XL311,
XL312, XL314, XL320, XL323, XL325, XL326, XL327, XL330

Processor

To remove the processor, complete the following steps:

1. Prepare the Notebook for disassembly ([pg 9](#)).
2. Remove the Palmrest cover with TouchPad ([pg 14](#)).
3. Remove the keyboard ([pg 16](#)).
4. Remove the Heatspreader ([pg 17](#)).
5. Lift the lever to release the processor, and lift the processor off the system board connector.



[Continued on next page](#)

maintenance & service guide

Presario 1200 Series

Model XL2, XL201, XL202, XL203, XL204, XL205, XL212, XL220, XL222, XL223, XL3, XL301, XL302, XL303, XL304, XL305, XL307, XL310, XL311, XL312, XL314, XL320, XL323, XL325, XL326, XL327, XL330

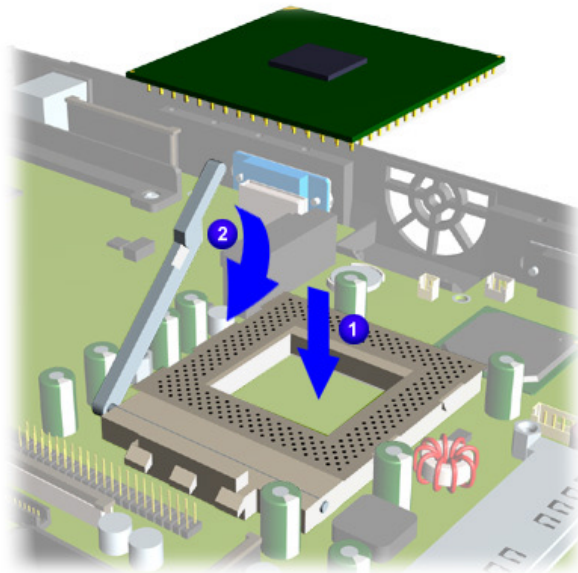
Processor (Replacing)

To replace the processor, perform the following:

1. Fully align the processor pins with the system board connector.

Note: When replacing the processor, verify that the number one pin (the gold triangle) is properly aligned with the number one pin on the system board connector.

2. Press down carefully on the processor directly over the connectors to seat the processor on the system board.
3. Lower the lever to lock the processor in place.
4. Reassemble the remaining components by reversing their removal procedures.



maintenance & service guide

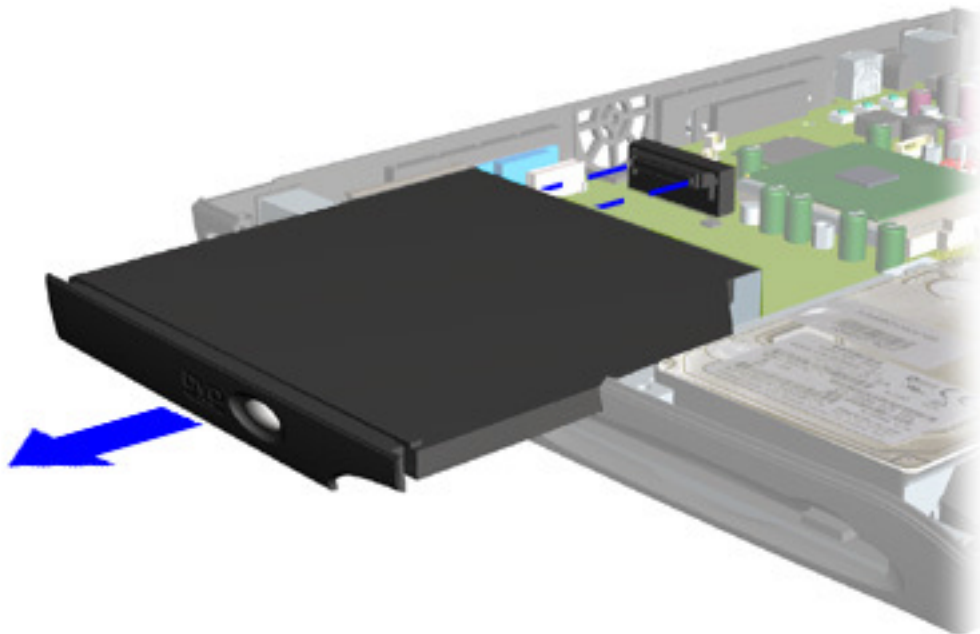
Presario 1200 Series

Model XL2, XL201, XL202, XL203, XL204, XL205, XL212, XL220, XL222, XL223, XL3, XL301, XL302, XL303, XL304, XL305, XL307, XL310, XL311, XL312, XL314, XL320, XL323, XL325, XL326, XL327, XL330

CD/DVD Drive

To remove the CD/DVD Drive, complete the following steps:

1. Prepare the Notebook for disassembly ([pg 9](#)).
2. Remove the Palmrest cover with TouchPad ([pg 14](#)).
3. Remove the keyboard ([pg 16](#)).
4. Remove the Heatspreader ([pg 17](#)).
5. Turn the Notebook upside down and remove the two screws securing the CD/DVD drive to the chassis.
6. Turn the Notebook over (right side up) and push the CD/DVD drive forward from the back of the drive to slide it out of the chassis.



To replace the CD/DVD drive, reverse these procedures.

maintenance & service guide

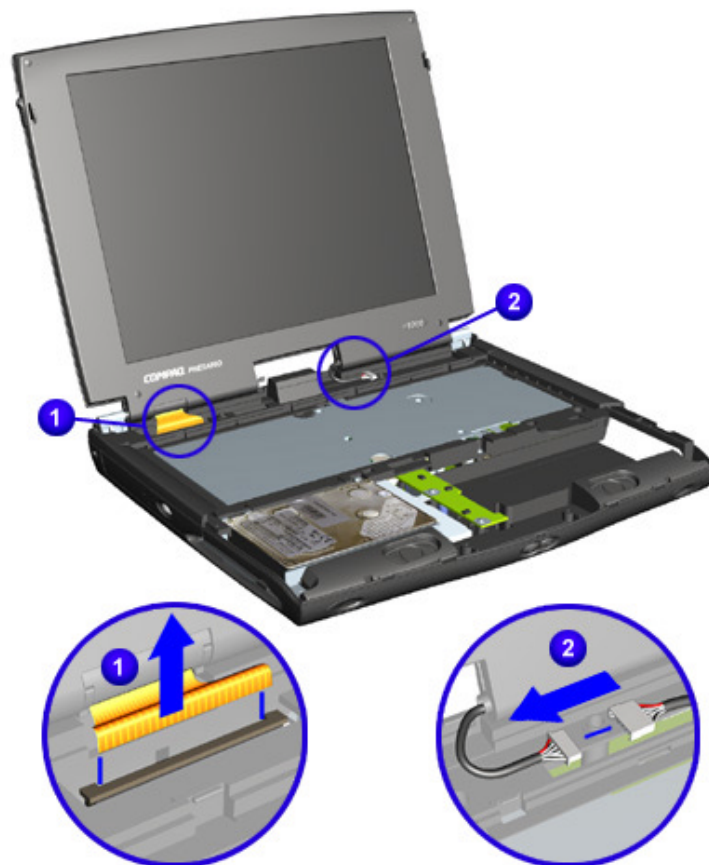
Presario 1200 Series

Model XL2, XL201, XL202, XL203, XL204, XL205, XL212, XL220, XL222, XL223, XL3, XL301, XL302, XL303, XL304, XL305, XL307, XL310, XL311, XL312, XL314, XL320, XL323, XL325, XL326, XL327, XL330

Display Panel Assembly

Note: Illustrations may show parts removed that are not part of this procedure. It is necessary to remove only the parts listed in the written procedure.

1. To remove the display panel assembly, complete the following steps:
2. Prepare the Notebook for disassembly ([pg 9](#)).
3. Remove the Internet zone cover ([pg 18](#)).
4. Disconnect the display flex cable **1** and backlight cable **2** from the system board.



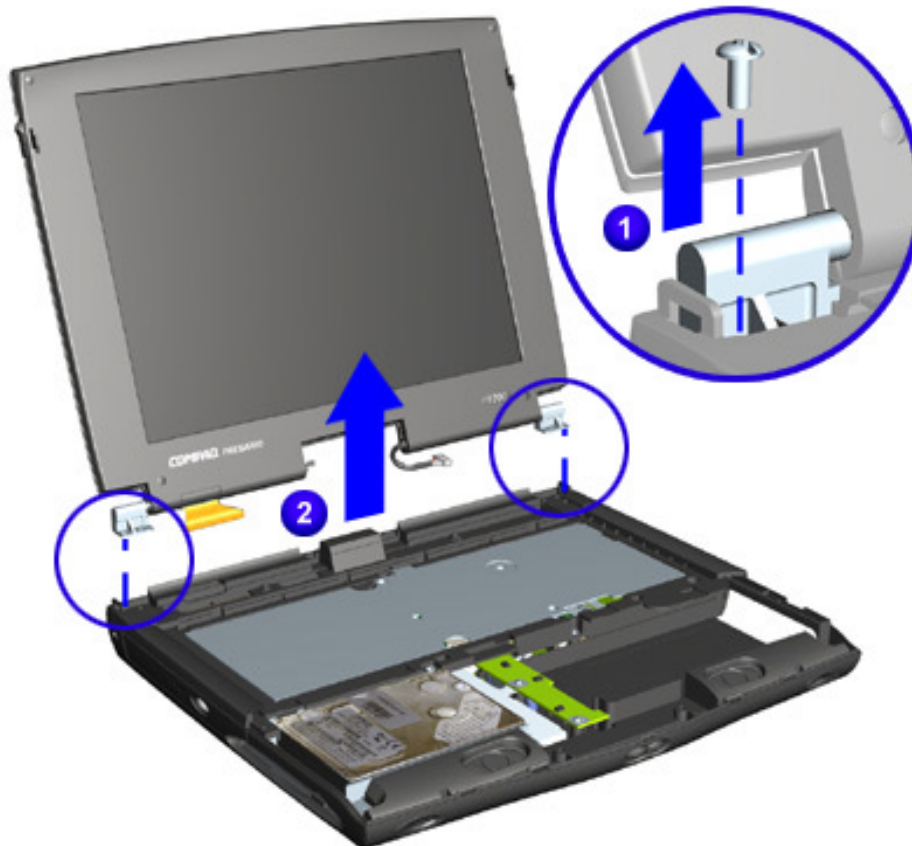
[Continued on the next page](#)

maintenance & service guide

Presario 1200 Series

Model XL2, XL201, XL202, XL203, XL204, XL205, XL212, XL220, XL222, XL223, XL3, XL301, XL302, XL303, XL304, XL305, XL307, XL310, XL311, XL312, XL314, XL320, XL323, XL325, XL326, XL327, XL330

5. While supporting the display, remove ① the two outermost screws securing the display to the chassis and lift ② the display panel out of the hinges.



To replace the display panel, reverse these procedures.

maintenance & service guide

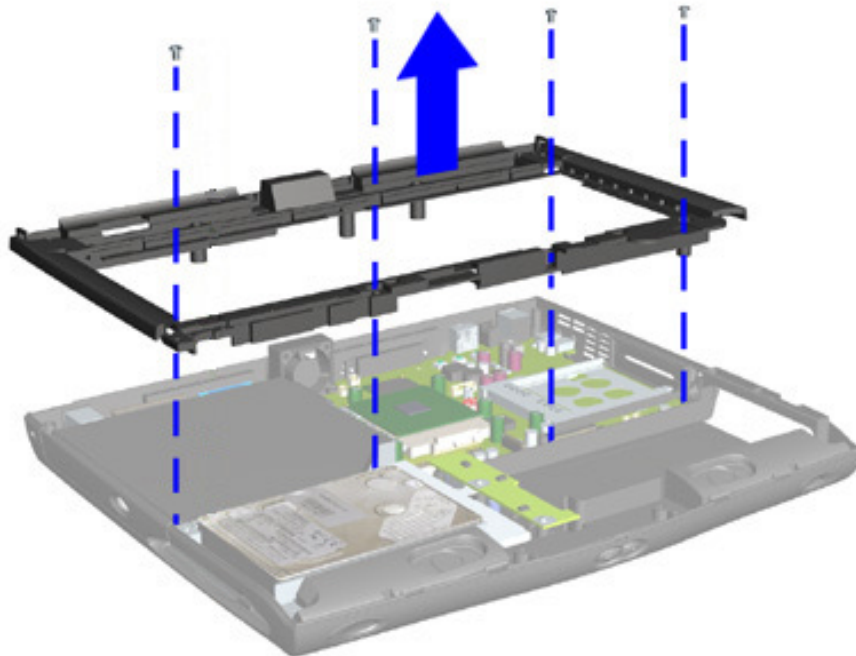
Presario 1200 Series

Model XL2, XL201, XL202, XL203, XL204, XL205, XL212, XL220, XL222, XL223, XL3, XL301, XL302, XL303, XL304, XL305, XL307, XL310, XL311, XL312, XL314, XL320, XL323, XL325, XL326, XL327, XL330

Upper CPU Cover

To remove the upper CPU cover, complete the following:

1. Prepare the Notebook for disassembly ([pg 9](#)).
2. Remove the Palmrest cover with TouchPad ([pg 14](#)).
3. Remove the keyboard ([pg 16](#)).
4. Remove the Heatspreader ([pg 17](#)).
5. Remove the Internet zone cover ([pg 18](#)).
6. Remove the LVDS button board ([pg 22](#)).
7. Remove the hard drive ([pg 24](#)).
8. Remove the display panel assembly ([pg 29](#)).
9. Remove four screws located on the top of the upper CPU cover and lift the cover off the chassis.



maintenance & service guide

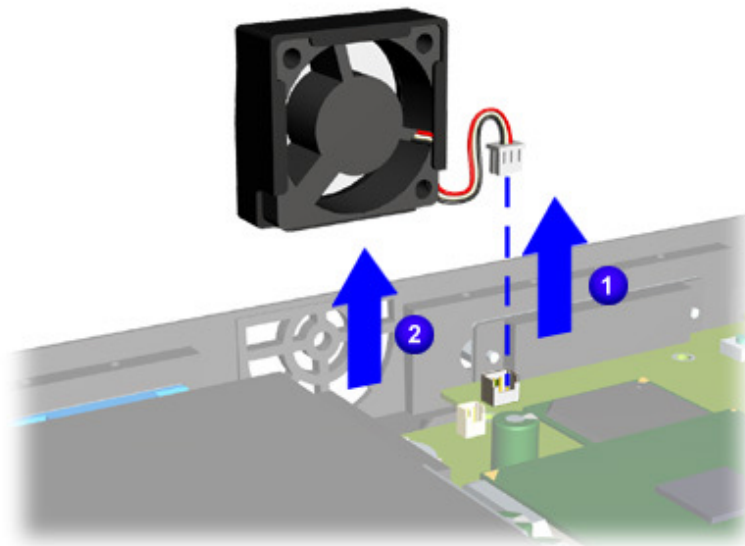
Presario 1200 Series

Model XL2, XL201, XL202, XL203, XL204, XL205, XL212, XL220, XL222, XL223, XL3, XL301, XL302, XL303, XL304, XL305, XL307, XL310, XL311, XL312, XL314, XL320, XL323, XL325, XL326, XL327, XL330

Fan Assembly

To remove the fan assembly, complete the following:

1. Prepare the Notebook for disassembly ([pg 9](#)).
2. Remove the Palmrest cover with TouchPad ([pg 14](#)).
3. Remove the keyboard ([pg 16](#)).
4. Remove the Heatspreader ([pg 17](#)).
5. Remove the Internet zone cover ([pg 18](#)).
6. Remove the LVDS button board ([pg 22](#)).
7. Remove the hard drive ([pg 24](#)).
8. Remove the display panel assembly ([pg 29](#)).
9. Remove the upper CPU cover ([pg 31](#)).
10. Disconnect ❶ the fan cable from the connector on the system board and lift ❷ the fan assembly from the chassis slot.



[Continued on the next page](#)

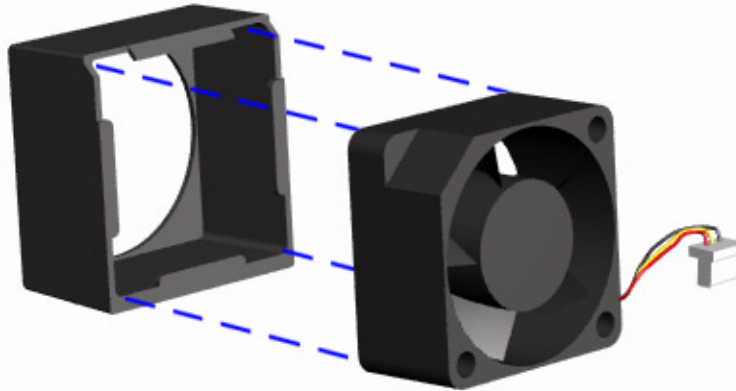
maintenance & service guide

Presario 1200 Series

Model XL2, XL201, XL202, XL203, XL204, XL205, XL212, XL220, XL222, XL223,
XL3, XL301, XL302, XL303, XL304, XL305, XL307, XL310, XL311,
XL312, XL314, XL320, XL323, XL325, XL326, XL327, XL330

Fan Gasket

To remove the fan gasket, pull the gasket from the fan.



To replace the fan assembly and gasket, reverse these procedures.


Important: When replacing the fan assembly ensure the manufacturing label is pointing inward.

maintenance & service guide

Presario 1200 Series

Model XL2, XL201, XL202, XL203, XL204, XL205, XL212, XL220, XL222, XL223, XL3, XL301, XL302, XL303, XL304, XL305, XL307, XL310, XL311, XL312, XL314, XL320, XL323, XL325, XL326, XL327, XL330

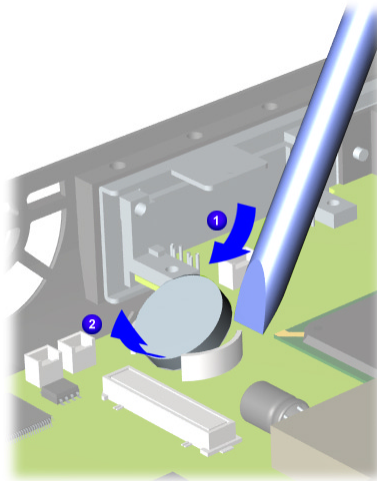
Real Time Clock Battery

 **CAUTION:** Removing the RTC battery clears the power-on password and removes all setup attributes that are programmed in the CMOS.

To remove the RTC battery, complete the following steps:

1. Prepare the Notebook for disassembly ([pg 9](#)).
2. Remove the Palmrest cover with TouchPad ([pg 14](#)).
3. Remove the keyboard ([pg 16](#)).
4. Remove the Heatspreader ([pg 17](#)).
5. Remove the Upper CPU Cover ([pg 31](#)).
6. Locate the RTC battery next to the CD/DVD connector.
7. Using a non-metallic object, gently pry upward to remove the RTC battery.

To replace the RTC battery, press the battery firmly into the socket and reassemble the remaining components by reversing their removal procedures.



maintenance & service guide

Presario 1200 Series

Model XL2, XL201, XL202, XL203, XL204, XL205, XL212, XL220, XL222, XL223,
XL3, XL301, XL302, XL303, XL304, XL305, XL307, XL310, XL311,
XL312, XL314, XL320, XL323, XL325, XL326, XL327, XL330

Battery Charger Board

(Voltage Converter Board)

To remove the battery charger board, complete the following:

1. Prepare the Notebook for disassembly ([pg 9](#)).
2. Remove the Palmrest cover with TouchPad ([pg 14](#)).
3. Remove the keyboard ([pg 16](#)).
4. Remove the Heatspreader ([pg 17](#)).
5. Remove the Internet zone cover ([pg 18](#)).
6. Remove the LVDS button board ([pg 22](#)).
7. Remove the hard drive ([pg 24](#)).
8. Remove the display panel assembly ([pg 29](#)).
9. Remove the upper CPU cover ([pg 31](#)).
10. Remove the hard drive cable located above the battery charger board.
11. Remove the floppy cable located above the battery charger board.

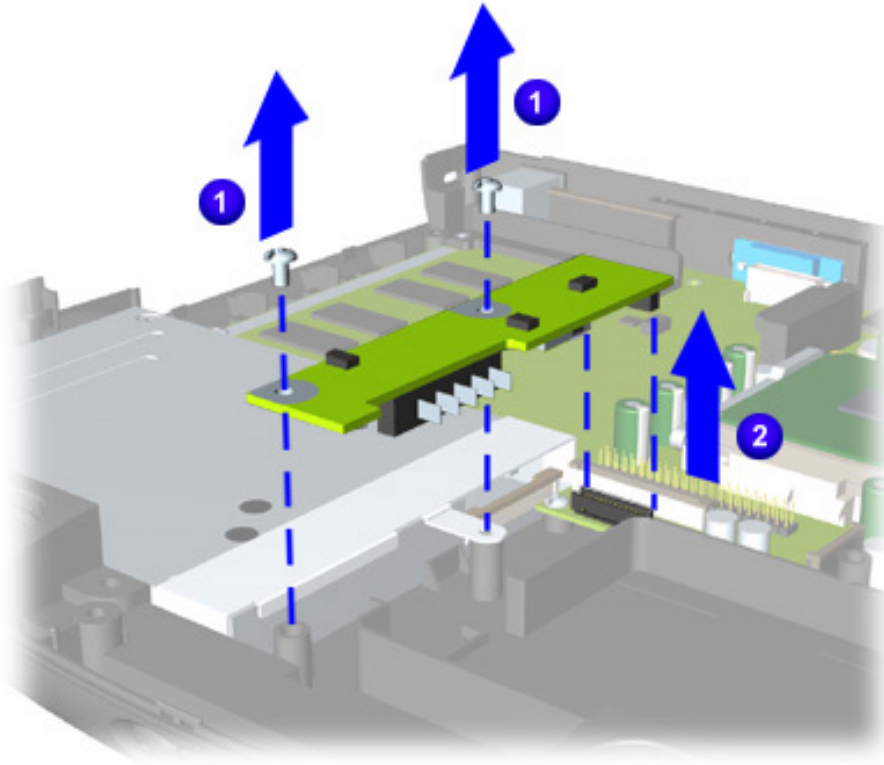
[Continued on next page](#)

maintenance & service guide

Presario 1200 Series

Model XL2, XL201, XL202, XL203, XL204, XL205, XL212, XL220, XL222, XL223, XL3, XL301, XL302, XL303, XL304, XL305, XL307, XL310, XL311, XL312, XL314, XL320, XL323, XL325, XL326, XL327, XL330

12. Remove ❶ two screws from the battery charger board and unplug ❷ the board from the connector on the system board.
13. Lift the battery charger board out of the chassis.



To replace the battery charger board, reverse these procedures.

Important: When replacing the battery charger board, ensure that the pins are aligned with the connector on the system board.

maintenance & service guide

Presario 1200 Series

Model XL2, XL201, XL202, XL203, XL204, XL205, XL212, XL220, XL222, XL223,
XL3, XL301, XL302, XL303, XL304, XL305, XL307, XL310, XL311,
XL312, XL314, XL320, XL323, XL325, XL326, XL327, XL330

Diskette Drive

To remove the diskette drive, complete the following:

1. Prepare the Notebook for disassembly ([pg 9](#)).
2. Remove the Palmrest cover with TouchPad ([pg 14](#)).
3. Remove the keyboard ([pg 16](#)).
4. Remove the Heatspreader ([pg 17](#)).
5. Remove the CD or DVD drive ([pg 28](#)).
6. Remove the Internet Zone cover ([pg 18](#)).
7. Remove the LVDS button board ([pg 22](#)).
8. Remove the display panel assembly ([pg 29](#)).
9. Remove the hard drive ([pg 24](#)).
10. Remove the upper CPU cover ([pg 31](#)).
11. Remove the battery charger board ([pg 35](#)).

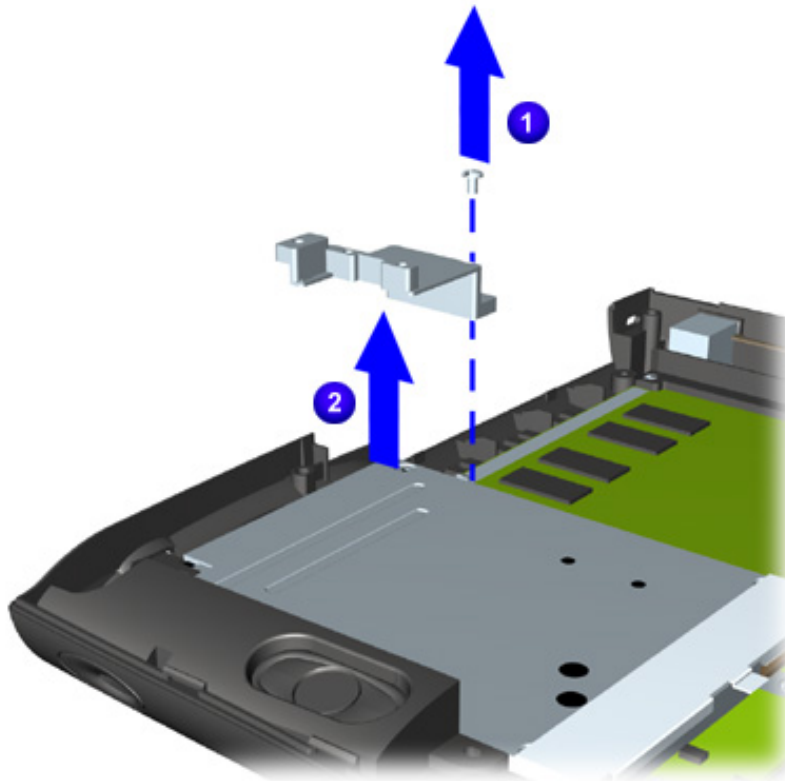
[Continued on next page](#)

maintenance & service guide

Presario 1200 Series

Model XL2, XL201, XL202, XL203, XL204, XL205, XL212, XL220, XL222, XL223,
XL3, XL301, XL302, XL303, XL304, XL305, XL307, XL310, XL311,
XL312, XL314, XL320, XL323, XL325, XL326, XL327, XL330

12. Remove ❶ screw from the diskette drive retaining bracket and lift ❷ the bracket out of the chassis.



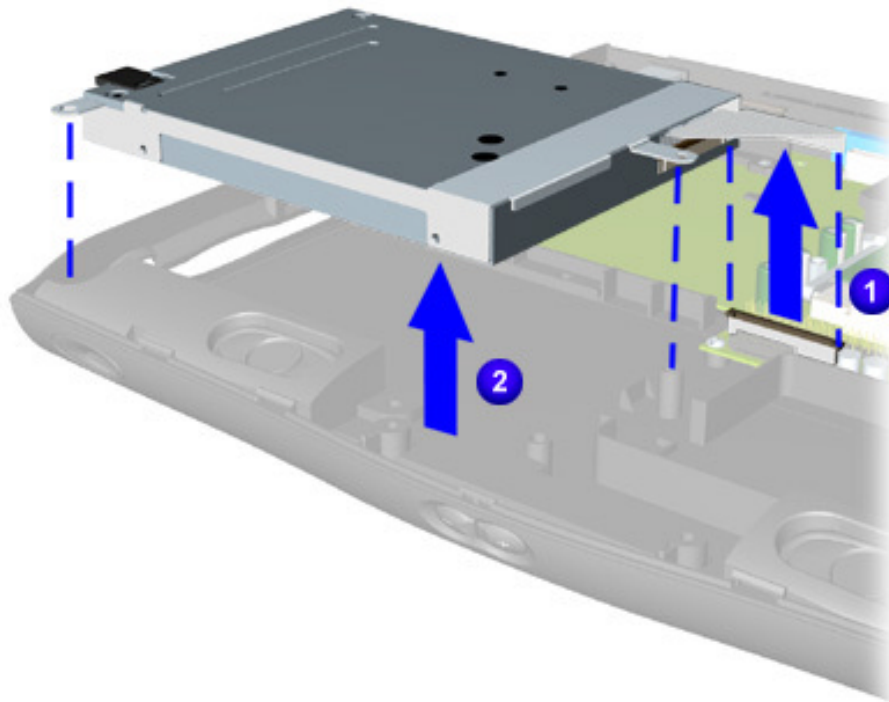
[Continued on next page](#)

maintenance & service guide

Presario 1200 Series

Model XL2, XL201, XL202, XL203, XL204, XL205, XL212, XL220, XL222, XL223, XL3, XL301, XL302, XL303, XL304, XL305, XL307, XL310, XL311, XL312, XL314, XL320, XL323, XL325, XL326, XL327, XL330

13. Lift the diskette drive from the chassis.



To replace the diskette drive, reverse these procedures.

CAUTION: Ensure that cables are placed in their proper locations during the reassembly process.

maintenance & service guide

Presario 1200 Series

Model XL2, XL201, XL202, XL203, XL204, XL205, XL212, XL220, XL222, XL223, XL3, XL301, XL302, XL303, XL304, XL305, XL307, XL310, XL311, XL312, XL314, XL320, XL323, XL325, XL326, XL327, XL330

Speaker Assembly

To remove the speaker assembly, complete the following:

1. Prepare the Notebook for disassembly ([pg 9](#)).
2. Remove the Palmrest cover with TouchPad ([pg 14](#)).
3. Remove the keyboard ([pg 16](#)).
4. Remove the display panel assembly ([pg 29](#)).
5. Remove the Internet zone cover ([pg 18](#)).
6. Remove the LVDS button board ([pg 22](#)).
7. Remove the Heatspreader ([pg 17](#)).
8. Remove the upper CPU cover ([pg 31](#)).
9. Remove the hard drive ([pg 24](#)).
10. Remove the battery charger board ([pg 35](#)).

[Continued on next page](#)

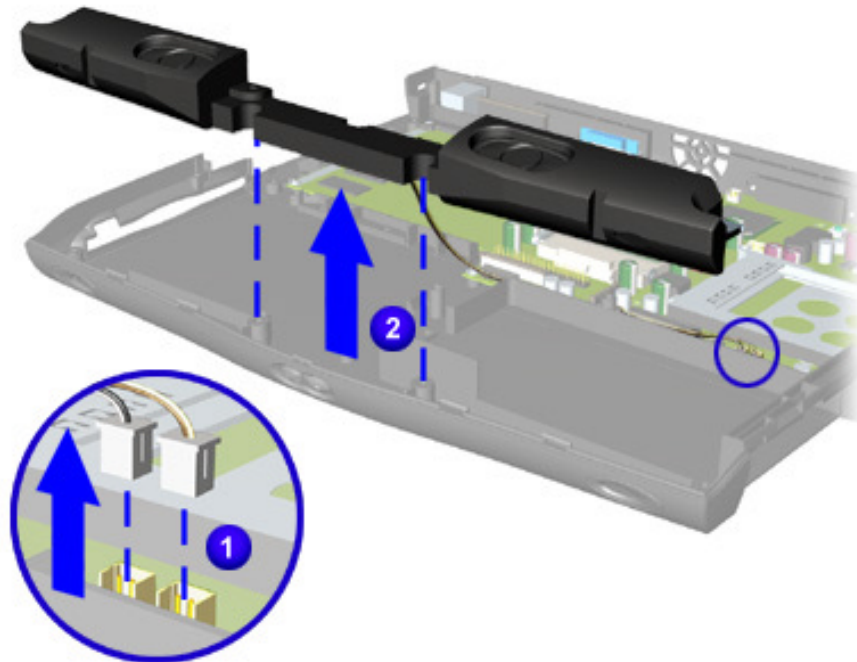
maintenance & service guide

Presario 1200 Series

Model XL2, XL201, XL202, XL203, XL204, XL205, XL212, XL220, XL222, XL223, XL3, XL301, XL302, XL303, XL304, XL305, XL307, XL310, XL311, XL312, XL314, XL320, XL323, XL325, XL326, XL327, XL330

11. Disconnect ① the speaker cables from the system board and lift ② the speaker assembly from the chassis.

Note: Before disconnecting the speaker cables from the system board, verify the color coded positioning of the left and right speaker cables to ensure that the Speaker Assembly Cable is placed in its proper location during the reassembly process.



To replace the speaker assembly, reverse these procedures.

maintenance & service guide

Presario 1200 Series

Model XL2, XL201, XL202, XL203, XL204, XL205, XL212, XL220, XL222, XL223,
XL3, XL301, XL302, XL303, XL304, XL305, XL307, XL310, XL311,
XL312, XL314, XL320, XL323, XL325, XL326, XL327, XL330

System Board

To remove the system board, complete the following steps:

1. Prepare the Notebook for disassembly ([pg 9](#)).
2. Remove the Palmrest cover with TouchPad ([pg 14](#)).
3. Remove the keyboard ([pg 16](#)).
4. Remove the display panel assembly ([pg 29](#)).
5. Remove the Internet zone cover ([pg 18](#)).
6. Remove the LVDS button board ([pg 22](#)).
7. Remove the Heatspreader ([pg 17](#)).
8. Remove the processor ([pg 26](#)).
9. Remove the CD or DVD drive ([pg 28](#)).
10. Remove the upper CPU cover ([pg 31](#)).
11. Remove the hard drive ([pg 24](#)).
12. Remove the fan assembly ([pg 32](#)).
13. Remove the battery charger board ([pg 35](#)).
14. Disconnect the diskette drive ribbon cable from the system board ([pg 5](#)).
15. Disconnect the speaker assembly cables from the system board ([pg 40](#)).

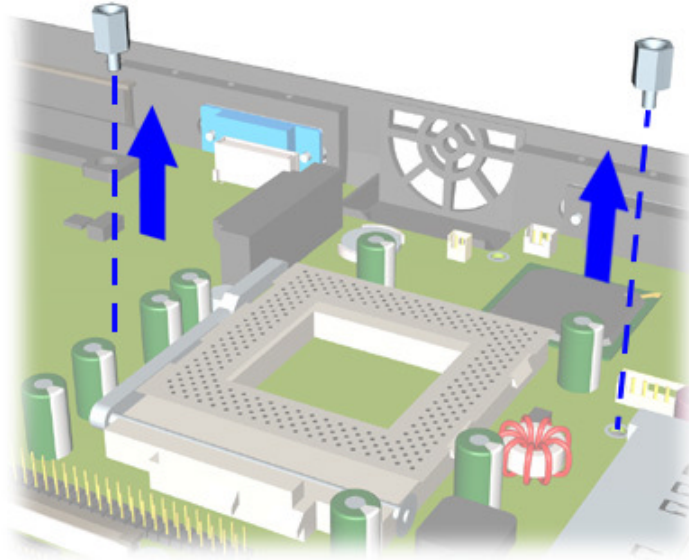
[Continued on next page](#)

maintenance & service guide

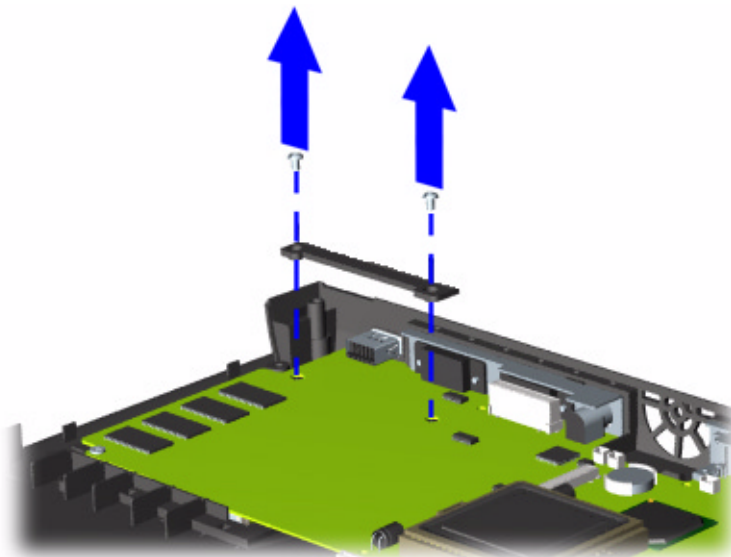
Presario 1200 Series

Model XL2, XL201, XL202, XL203, XL204, XL205, XL212, XL220, XL222, XL223, XL3, XL301, XL302, XL303, XL304, XL305, XL307, XL310, XL311, XL312, XL314, XL320, XL323, XL325, XL326, XL327, XL330

16. Remove the two standoffs from the system board.



17. Remove the two screws from the CD/DVD drive mounting rail and lift the mounting rail from the system board.



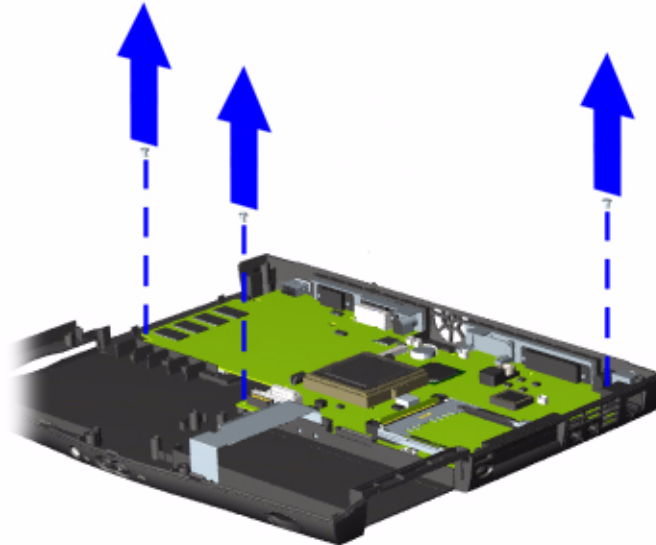
[Continued on next page](#)

maintenance & service guide

Presario 1200 Series

Model XL2, XL201, XL202, XL203, XL204, XL205, XL212, XL220, XL222, XL223, XL3, XL301, XL302, XL303, XL304, XL305, XL307, XL310, XL311, XL312, XL314, XL320, XL323, XL325, XL326, XL327, XL330

18. Remove three screws from the system board.



Note: Ensure that the PCMCIA eject button is not sticking out through the slot in the chassis.

19. Shift the board to the left and lift to remove it from the chassis.



To replace the system board, reverse these procedures.

Before replacing the system board, remove all remaining cables.