

Thank you for purchasing this Factory Service Manual CD/DVD from servicemanuals4u.com.

Please check out our eBay auctions for more great deals on Factory Service Manuals:

servicemanuals4u

maintenance & service guide

Presario 1200 Series

Model XL2, XL201, XL202, XL203, XL204, XL205, XL212, XL220, XL222, XL223,
XL3, XL301, XL302, XL303, XL304, XL305, XL307, XL310, XL311,
XL312, XL314, XL320, XL323, XL325, XL326, XL327, XL330

Parts Catalog

This section provides illustrations of the spare parts for the Compaq Presario 1200 Series Notebook Computer and identifies the spare part's order number and the availability of each item.

Illustrated Parts

The Notebook serial number should be provided to Compaq whenever you request information or order spare parts. To order parts, refer to [Part Numbers & Availability](#) section shown later in this chapter. The serial number ❶ is located underneath the unit.

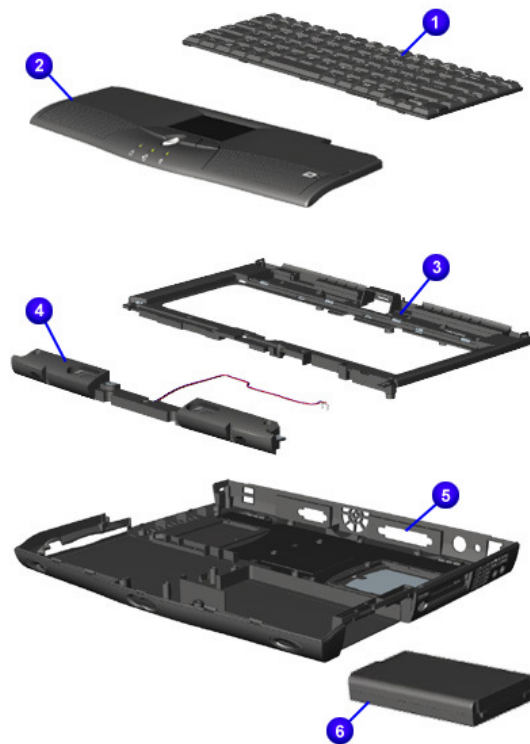


maintenance & service guide

Presario 1200 Series

Model XL2, XL201, XL202, XL203, XL204, XL205, XL212, XL220, XL222, XL223, XL3, XL301, XL302, XL303, XL304, XL305, XL307, XL310, XL311, XL312, XL314, XL320, XL323, XL325, XL326, XL327, XL330

System Units



#	Description
①	Keyboards
②	Palmrest w/ Touchpad Button Board
③	Upper CPU Cover
④	Speakers with Enclosure
⑤	Enclosure Base
⑥	Battery Packs Li-Ion Enhanced Li-Ion Enhanced 4.0Ahr

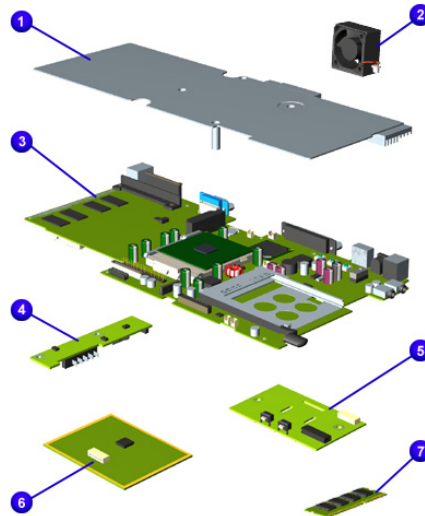
To order parts, refer to [Part Numbers & Availability](#) shown later in this chapter.

maintenance & service guide

Presario 1200 Series

Model XL2, XL201, XL202, XL203, XL204, XL205, XL212, XL220, XL222, XL223, XL3, XL301, XL302, XL303, XL304, XL305, XL307, XL310, XL311, XL312, XL314, XL320, XL323, XL325, XL326, XL327, XL330

System Boards



#	Description	#	Description
①	Heat Spreader	⑤	Modems 56K Mini 3 US 56K Mini 3 INTL 56K Mini 3 AU
②	Fan Assembly	⑥	Processors CEL 566MHz CEL 600MHz PIII 600MHz 256K PIII 650MHz 256K
③	System I/O Boards w/64MB SDRAM w/32MB SDRAM w/64MB TFT	⑦	Memory
④	Voltage Converter Board (3C)		

To order parts, refer to [Part Numbers & Availability](#) shown later in this chapter.

maintenance & service guide

Presario 1200 Series

Model XL2, XL201, XL202, XL203, XL204, XL205, XL212, XL220, XL222, XL223,
XL3, XL301, XL302, XL303, XL304, XL305, XL307, XL310, XL311,
XL312, XL314, XL320, XL323, XL325, XL326, XL327, XL330

Display Panel Assembly



Description

Display Panel Assemblies

12.1" HPA Display Panel

12.1" TFT Display Panel

13.0" HPA Display Panel

13.3" TFT Display Panel

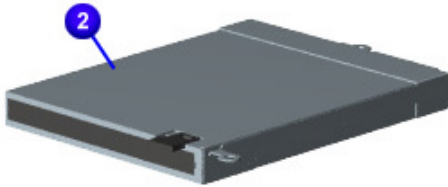
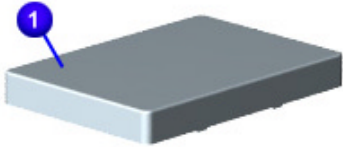
To order parts, refer to [Part Numbers & Availability](#) shown later in this chapter.

maintenance & service guide

Presario 1200 Series

Model XL2, XL201, XL202, XL203, XL204, XL205, XL212, XL220, XL222, XL223, XL3, XL301, XL302, XL303, XL304, XL305, XL307, XL310, XL311, XL312, XL314, XL320, XL323, XL325, XL326, XL327, XL330

Mass Storage Devices



#	Description
①	Hard Drives 5.0GB 6.0GB
②	Diskette Drive
③	8X DVD Drive
④	24X CD ROM Drive (Not Shown)

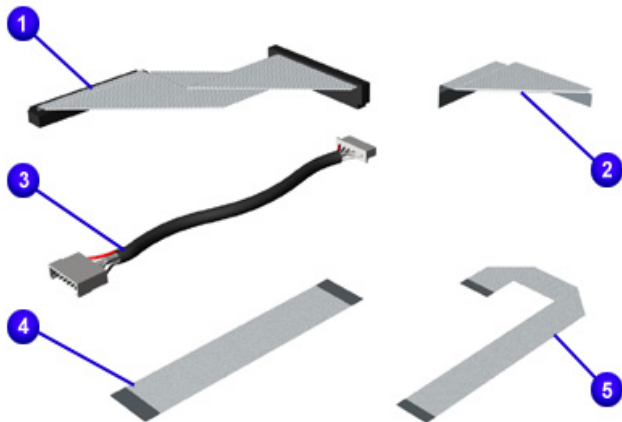
To order parts, refer to [Part Numbers & Availability](#) shown later in this chapter.

maintenance & service guide

Presario 1200 Series

Model XL2, XL201, XL202, XL203, XL204, XL205, XL212, XL220, XL222, XL223, XL3, XL301, XL302, XL303, XL304, XL305, XL307, XL310, XL311, XL312, XL314, XL320, XL323, XL325, XL326, XL327, XL330

Miscellaneous Cables



	Description
Miscellaneous Cable Kit*	
❶	Hard Drive Cable
❷	FFC FDD (Citizen) Cable
❸	Cable INV/LCD Trans Board 12.1 in; 13.0 in
❹	FFC TouchPad Board/M/B Cable
❺	DisqPlay LCD display FFC

**Kit includes one each of the above items unless otherwise specified.*

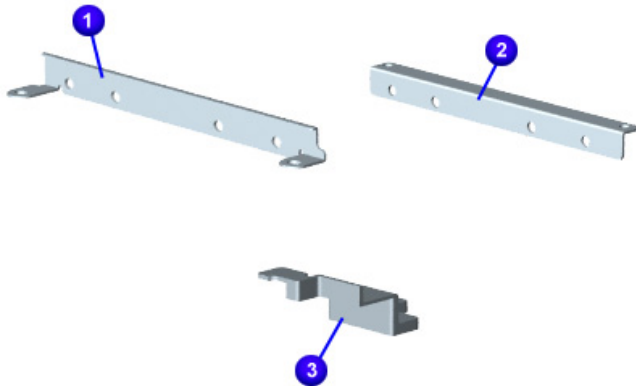
To order parts, refer to [Part Numbers & Availability](#) shown later in this chapter.

maintenance & service guide

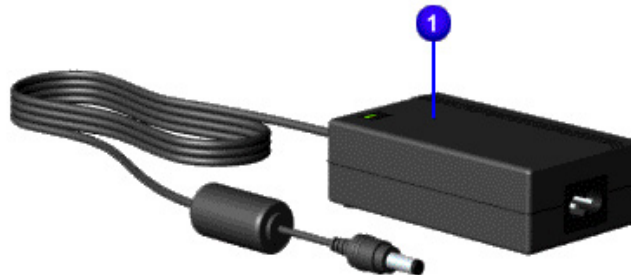
Presario 1200 Series

Model XL2, XL201, XL202, XL203, XL204, XL205, XL212, XL220, XL222, XL223, XL3, XL301, XL302, XL303, XL304, XL305, XL307, XL310, XL311, XL312, XL314, XL320, XL323, XL325, XL326, XL327, XL330

Miscellaneous Hardware



#	Description
Miscellaneous Hardware Kit	
❶	Hard Drive Mounting Bracket (L)
❷	Hard Drive Mounting Bracket (R)
❸	Reinforcement Bracket (L)
❹	CD-ROM/DVD Bracket (L) (not shown)
❺	CD-ROM/DVD Bracket (R) (not shown)
❻	Spring Latch (not shown)
❼	14.1" Spring Latch (not shown)



#	Description
❶	Adapter 60W SLIM AC 2-Wire 3-Wire

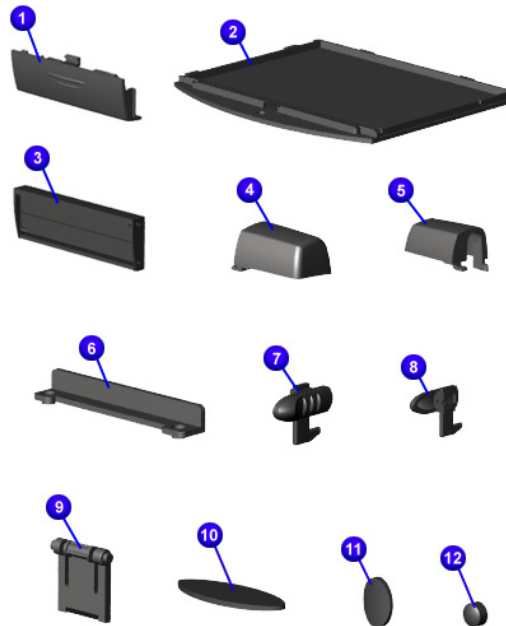
To order parts, refer to [Part Numbers & Availability](#) shown later in this chapter.

maintenance & service guide

Presario 1200 Series

Model XL2, XL201, XL202, XL203, XL204, XL205, XL212, XL220, XL222, XL223, XL3, XL301, XL302, XL303, XL304, XL305, XL307, XL310, XL311, XL312, XL314, XL320, XL323, XL325, XL326, XL327, XL330

Miscellaneous Plastics



#	Description	#	Description
Miscellaneous Plastics Kit			
❶	Battery Compartment Door (qty. 2)	❶❶	Rubber Plug (side mount for display) (qty. 10)
❷	Memory Compartment Door	❶❷	Rubber Plug (qty. 10)
❸	PCMCIA Door	❶❸	LCD(LED) Rubber Plug (3 types) (not shown)
❹	Display Hinge Cover (R)	❶❹	MDC Cover
❺	Display Hinge Cover (L)	❶❺	LCD FPC Cover
❻	CD-ROM Drive Guide	❶❻	FPC Cover (not shown)
❼	Latch (L) (qty. 10)	❶❼	Mini PCI Modem Cover (not shown)
❽	Latch (R) (qty. 10)		
❾	Stand Foot (qty. 10)		
❿	Rubber Foot (qty. 10)		
		To order parts, refer to Part Numbers & Availability shown later in this chapter.	



maintenance & service guide

Presario 1200 Series

Model XL2, XL201, XL202, XL203, XL204, XL205, XL212, XL220, XL222, XL223, XL3, XL301, XL302, XL303, XL304, XL305, XL307, XL310, XL311, XL312, XL314, XL320, XL323, XL325, XL326, XL327, XL330

Documentation and Software

Description	Spare Part Numbers
Quick Restore CD 1	US/PR 169298-001 Mexico 169298-161 APD 169298-371 PRC 169298-AA1 Korea 169298-AD1 AUS 169298-371 Japan 169298-291 UK 169298-031 France 169298-051 Italy 169298-061 Belgium 169298-AK1
Quick Restore CD 2	Not Available
Beyond Setup Guide (BSG)	TBD
Quick Reference Guide	Not Available
Quick Find for Windows North America, Latin America, Asia Pacific	Not Available
QuickFind for Windows Europe, Middle East, Africa	Not Available

QuickFind is updated monthly. To complete the QuickFind part number, add the suffix from the table below for the desired month. If you do not specify the 3-digit suffix, the default is the current month in which the order is placed.

QuickFind Part Number Suffix			
Suffix	Month	Suffix	Month
-001	January	-007	July
-002	February	-008	August
-003	March	-009	September
-004	April	-010	October
-005	May	-011	November
-006	June	-012	December



maintenance & service guide

Presario 1200 Series

Model XL2, XL201, XL202, XL203, XL204, XL205, XL212, XL220, XL222, XL223, XL3, XL301, XL302, XL303, XL304, XL305, XL307, XL310, XL311, XL312, XL314, XL320, XL323, XL325, XL326, XL327, XL330

Part Numbers and Availability

This section is a comprehensive list of the parts associated with the 1200 Series Notebooks. It provides the part number, applicable model(s), and the availability of each item.

Alphabetical Spares Listing

In this section, the following spare parts pertaining to the 1200 Series Notebooks are listed alphabetically. To find a part, choose the letter that your part starts with from the alphabet index below (Example: choose "P" for Processor).

[A](#) [B](#) [C](#) [D](#) [E](#) [F](#) [G](#) [H](#) [I](#) [J](#) [K](#) [L](#) [M](#) [N](#) [O](#) [P](#) [Q](#) [R](#) [S](#) [T](#) [U](#) [V](#) [W](#) [X](#) [Y](#) [Z](#)

Spare Part Description	Part Number	Applicable Models
AC Adapter (60W Slim 3 Wire)	180675-001	202, 203, 205, 212, 222, 302, 303, 305, 307, 312, 314
AC Adapter (60W Slim 2 Wire)	180676-001	2, 201, 204, 220, 223, 3, 301, 304, 310, 311, 320, 323, 325, 326, 327, CTO
AC Power Cord (3 Wire) US	170513-001	205, 212, 305, 312, 314
AC Power Cord (3 Wire) Intl	170513-002	202, 203, 222, 302, 303, 307
AC Power Cord (3 Wire) UK	170513-031	203, 222, 302, 303, 307
AC Power Cord (3 Wire) SWI	170513-115	202, 222, 302
AC Power Cord (3 Wire) AU	170513-011	205, 212, 305, 312
AC Power Cord (3 Wire) DK	170513-081	205, 212, 305, 312
AC Power Cord (3 Wire) PRC	170513-AA3	202, 302
AC Power Cord (3 Wire) IT	170513-061	205, 212
AC Power Cord NA	293831-001	202, 222, 302, 303, 307
Additional AC Adapter with Power Cord	TBD	CTO
Additional Battery (Li-ion 3.2)	TBD	CTO
Additional Mouse USB	TBD	CTO
Battery Pack (Li-ion Enhanced)	138184-001	212, 220, 222, 223, 303, 307, 310, 311, 312, 314, 320, 323, 325, 326, 327, 330, CTO
Battery Pack (4.0 Ahr, Li-ion Enhanced)	202960-001	2, 201, 202, 203, 204, 205, 3, 301, 302, 303, 304, 305, CTO
Battery Pack (Li-ion Enhanced)	177458-001	311, CTO
Battery Pack (3.8 NiMH)	TBD	CTO

Return to the [alphabet index](#).



maintenance & service guide

Presario 1200 Series

Model XL2, XL201, XL202, XL203, XL204, XL205, XL212, XL220, XL222, XL223, XL3, XL301, XL302, XL303, XL304, XL305, XL307, XL310, XL311, XL312, XL314, XL320, XL323, XL325, XL326, XL327, XL330

Spare Part Description	Part Number	Applicable Models
Button Board Cover w/Internet Buttons	202959-001	All, CTO
Base Unit (1200T, WinME, US)	TBD	CTO
CD-ROM Drive 24X	159487-001	2, 201, 202, 203, 204, 205, 212, 220, 222, 3, 301, 302, 303, 304, 305, 312, 314, 320, 326, 327, 330, CTO
CTO Packaging	TBD	CTO
Diskette Drive (1.44 MB)	202961-001	All, CTO
Display Panel (12.1-in TFT)	202949-001	222, 303, 305, 310, 312, 320, 330, CTO
Display Panel (12.1-in HPA)	202947-001	2, 201, 202, 203, 205, 3, 301, 302, CTO
Display Panel (13.0-in HPA)	202948-001	204, 220, 304, 326, 327
Display Panel (13.3-in TFT)	202950-001	212, 223, 307, 311, 314, 323, 325
DVD Drive (8X)	202952-001	223, 307, 310, 311, 323, 325, CTO
Enclosure Base	202957-001	All, CTO
Fan	159500-001	All, CTO
Hard Drive (5.0 GB)	202953-001	2, 201, 202, 203, 204, 205, 212, 3, 301, 302, CTO
Hard Drive (6.0 GB)	202954-001	220, 222, 223, 303, 304, 305, 307, 310, 312, 314, 320, 325, 326, 327, 330, CTO
Hard Drive (10.0 GB)	200349-001	303, 311, 323, CTO
Heat Spreader FC-PGA	202963-001	All, CTO
Keyboard (US)	207683-001	2, 204, 205, 212, 220, 223, 3, 302, 303, 304, 305, 307, 310, 312, 314, 320, 323, 325, 326, 327, 330, CTO
Keyboard (UK)	207683-031	203, 222, 302, 303, 307
Keyboard (FR)	207683-051	203, 222, 302, 307
Keyboard (IT)	207683-061	203, 222, 302, 303
Keyboard (DK)	207683-081	202, 302
Keyboard (NOR)	207683-091	202, 302
Keyboard (SE)	207683-101	202, 302
Keyboard (PT)	207683-131	202, 302, 303
Keyboard (LA)	207683-161	201, 202, 222, 301, 302, 303
Keyboard (SG)	207683-311	202, 222

Return to the [alphabet index](#).



maintenance & service guide

Presario 1200 Series

Model XL2, XL201, XL202, XL203, XL204, XL205, XL212, XL220, XL222, XL223, XL3, XL301, XL302, XL303, XL304, XL305, XL307, XL310, XL311, XL312, XL314, XL320, XL323, XL325, XL326, XL327, XL330

Spare Part Description	Part Number	Applicable Models
Keyboard (AR)	207683-171	202, 222, 302
Keyboard (NL)	207683-331	202, 222, 302, 303
Keyboard (BE)	207683-181	202, 302
Keyboard (FC)	207683-121	204, 304
Keyboard (BR)	207683-201	311
Logo Kit	212595-001	All, CTO
LVDS Board	202951-001	212, 222, 223, 303, 307, 310, 311, 312, 314, 320, 323, 325, 330, CTO
Memory (S.O. DIMM 32 MB PC100)	122699-001	CTO
Memory (S.O. DIMM 64 MB PC100)	122700-001	CTO
Memory 64 SD 100 MHz (down)	TBD	CTO
Memory 96 SD 100 MHz (64down + 32up)	TBD	CTO
Memory 128 SD 100 MHz (64up + 64down)	TBD	CTO
Memory 192 SD 100 MHz (64down+128up)	TBD	CTO
Miscellaneous Cable Kit	202962-001	All, CTO
Miscellaneous Plastic Kit	159498-001	All, CTO
Miscellaneous Hardware Kit	159499-001	All, CTO
Miscellaneous Screw Kit	138161-001	All, CTO
Modem (K-56K Mini) US	159502-001	2, 201, 204, 205, 212, 223, 220
Modem (K-56K Mini) Intl	159502-002	202, 203, 222
Modem (K-56K Mini) AU	159502-011	205, 212
Modem (K-56K Mini) US	218857-001	3, 301, 304, 305, 310, 311, 312, 314, 320, 323, 325, 326, 327, 330, CTO
Modem (K-56K Mini) Intl	218857-002	302, 303, 307
Modem (K-56K Mini) AU	218857-011	305
Palmrest w/TouchPad & Internet Buttons	202956-001	All, CTO
Processors, Celeron 566MHz 1.5V FC-PGA	201565-001	2, 201, 202, 203, 204, 205, 222, 3, CTO
Processors, Celeron 600 MHz 1.5V FC-PGA	201566-001	220, 223, 301, 302, 303, 304, 305, 307, 310, 326, CTO
Processors, Celeron 633 MHz 1.6V FC-PGA	217844-001	320, 323, 327, CTO
Processors, PIII 600 MHz 256K Cache	159485-001	220
Processors, PIII 650 MHz 256K Cache	175308-001	212, 311, 325, 330



maintenance & service guide

Presario 1200 Series

Model XL2, XL201, XL202, XL203, XL204, XL205, XL212, XL220, XL222, XL223, XL3, XL301, XL302, XL303, XL304, XL305, XL307, XL310, XL311, XL312, XL314, XL320, XL323, XL325, XL326, XL327, XL330

Spare Part Description	Part Number	Applicable Models
Processors, PIII 700 MHz 256K Cache	221415-001	312, 314, CTO (Available after 11/12/00)
Software (Feature Home Collection CD)	TBD	CTO
Software (Office 2000 Professional CD)	TBD	CTO
Software (Office 2000 SBE CD)	TBD	CTO
Speakers with Enclosure	159494-001	All, CTO
System Board (I/O w/64 MB SDRAM)	202945-001	202, 205, 220
System Board (I/O w/32 MB SDRAM)	202946-001	2, 201, 203, 204
System Board (I/O w/64 MB TFT)	210814-001	212, 222, 223
System Board (I/O w/32 MB DSTN REV: CG-C)	217841-001	3
System Board (I/O w/64 MB DSTN REV: CG-C)	217842-001	301, 302, 304, 326, 327
System Board (I/O w/64 MB TFT REV: CG-C)	217843-001	303, 307, 310, 311, 312, 314, 320, 323, 325, 330
System Board (I/O w/32 MB DSTN & TFT SB)	221414-001	CTO
System Board (I/O w/64 MB DSTN & TFT)	222699-001	CTO
Upper CPU Cover	202958-001	All, CTO
Voltage Converter 3C Board	352891-001	All, CTO

Return to the [alphabet index](#).



maintenance & service guide

Presario 1200 Series

Model XL2, XL201, XL202, XL203, XL204, XL205, XL212, XL220, XL222, XL223,
XL3, XL301, XL302, XL303, XL304, XL305, XL307, XL310, XL311,
XL312, XL314, XL320, XL323, XL325, XL326, XL327, XL330