

Thank you for purchasing this Factory Service Manual CD/DVD from servicemanuals4u.com.

Please check out our eBay auctions for more great deals on Factory Service Manuals:

[servicemanuals4u](http://servicemanuals4u.com)

maintenance & service guide

Presario 1600XL Series

Model 1600T, 1600-XL140, 1600-XL141, 1600-XL142, 1600-XL143, 1600-XL144, 1600-XL146, 1600-XL147, 1600-XL150, 1600-XL156, 1600-XL157, 1600-XL255, 1600-XL256, 1600-XL257, and 1600-XL258

Pin Assignments

This appendix provides connector pin assignment tables for Compaq Presario 1600XL Series Portable Notebooks. For more information on connectors, refer to the section on [Rear Connectors](#).

Note: The signals in all tables of this appendix are considered active high unless otherwise indicated by an asterisk (*).

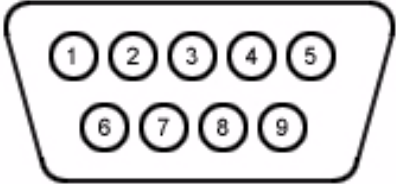
Parallel Connector			
Pin	Signal	Pin	Signal
1	Strobe*	10	Acknowledge*
2	Data Bit 0	11	Busy
3	Data Bit 1	12	Paper Out
4	Data Bit 2	13	Select
5	Data Bit 3	14	Auto Linefeed*
6	Data Bit 4	15	Error*
7	Data Bit 5	16	Initialize Printer*
8	Data Bit 6	17	Select In*
9	Data Bit 7	18-25	Signal Ground


* = Active low

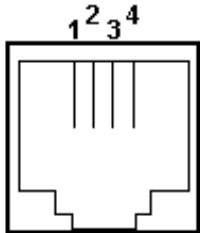
maintenance & service guide

Presario 1600XL Series

Model 1600T, 1600-XL140, 1600-XL141, 1600-XL142, 1600-XL143, 1600-XL144, 1600-XL146, 1600-XL147, 1600-XL150, 1600-XL156, XL157, XL255, XL256, XL257, and XL258

Serial Connectors		
Connector	Pin	Signal
	1	Carrier Detect
	2	Receive Data
	3	Transmit Data
	4	Data Terminal Ready
	5	Signal Ground
	6	Data Set Ready
	7	Ready to Send
	8	Clear to Send
	9	Ring Indicator

Keyboard/Mouse		
Connector	Pin	Signal
	1	Data 1
	2	Data 2
	3	Ground
	4	+5 V
	5	Clock 1
	6	Clock 2

Modem Connector		
Connector	Pin	Signal
	1	Unused
	2	Tip
	3	Ring
	4	Unused

maintenance & service guide

Presario 1600XL Series

Model 1600T, 1600-XL140, 1600-XL141, 1600-XL142, 1600-XL143, 1600-XL144, 1600-XL146, 1600-XL147, 1600-XL150, 1600-XL156, 1600-XL157, 1600-XL255, 1600-XL256, 1600-XL257, and 1600-XL258

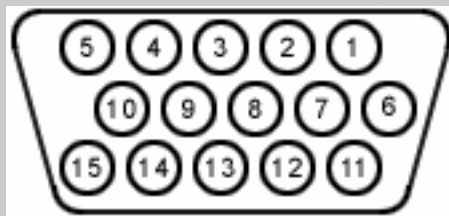
Universal Serial Bus

Connector



Pin	Signal
1	+5 V
2	Data -
3	Data +
4	Ground

External VGA Monitor




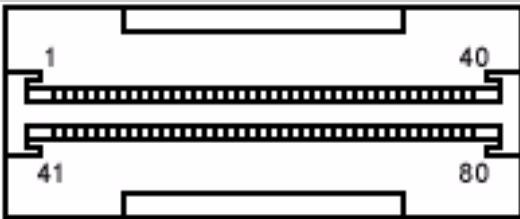
Pin	Connector	Pin	Signal
1	Red Analog	9	+5 V
2	Green Analog	10	Ground
3	Blue Analog	11	Not connected
4	Not connected	12	DDC2B Data
5	Ground	13	Horizontal Sync
6	Ground Analog	14	Vertical Sync
7	Ground Analog	15	DDC2B Clock
8	Ground Analog		

maintenance & service guide

Presario 1600XL Series

Model 1600T, 1600-XL140, 1600-XL141, 1600-XL142, 1600-XL143, 1600-XL144, 1600-XL146, 1600-XL147, 1600-XL150, 1600-XL156, 1600-XL157, 1600-XL255, 1600-XL256, 1600-XL257, and 1600-XL258

TV-Out		
Connector	Pin	Signal
	1	Ground
	2	Composite

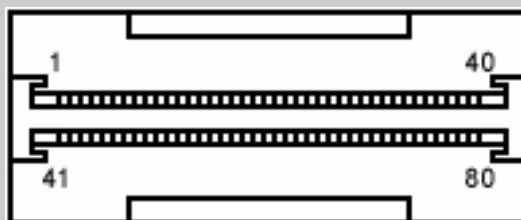
QuickDock Connector							
							
Pin	Signal	Pin	Signal	Pin	Signal	Pin	Signal
1	Adapter Power	22	Serial Port DCD	43	Keyboard Clock	64	MIDI Output
2	Adapter Power	23	Serial Port DSR	44	Keyboard Data	65	Headphone Sense
3	Adapter Power	24	Serial Port TXD	45	Mouse Clock	66	USB Power
4	Adapter Power	25	Serial Port RTS	46	Mouse Data	67	USB Power
5	Adapter Power	26	Monitor DDC	47	Lp Select	68	USB Power
6	Adapter Power	27	Monitor DDC	48	Lp Paper End	69	USB Power
7	Not Connected	28	Not connected	49	Lp Initialize	70	USB A-
8	Printer Data 0	29	V.SYNC	50	Lp Busy	71	USB A+
9	Printer Data 1	30	Ground	51	Lp Error	72	USB B-
10	Printer Data 2	31	H.SYNC	52	Lp Acknowledge	73	USB B+
11	Printer Data 3	32	Ground	53	Lp AutoFeed	74	5V
12	Printer Data 4	33	Blue	54	Lp Strobe	75	5V
13	Printer Data 5	34	Ground	55	Joystick Data A	76	Line Out Left
14	Printer Data 6	35	Green	56	Joystick Data B	77	S-Video SYR

maintenance & service guide

Presario 1600XL Series

Model 1600T, 1600-XL140, 1600-XL141, 1600-XL142, 1600-XL143, 1600-XL144, 1600-XL146, 1600-XL147, 1600-XL150, 1600-XL156, 1600-XL157, 1600-XL255, 1600-XL256, 1600-XL257, and 1600-XL258

QuikDock Connector



Pin	Signal	Pin	Signal	Pin	Signal	Pin	Signal
15	Printer Data 7	36	Ground	57	Joystick Data C	78	Ground
16	Lp Indicator	37	Red	58	Joystick Data D	79	S-Video SCG
17	QuikDock Indicator	38	Ground	59	Switch A	80	Ground
18	Serial Port RXD	39	Composite TV Out	60	Switch B	81	Ground
19	Serial Port RI	40	Line Out Right	61	Switch C	82	Ground
20	Serial Port DTR	41	Line Out Present	62	Switch D		
21	Serial Port CTS	42	Power Cycle	63	MIDI Input		



maintenance & service guide

Presario 1600XL Series

Model 1600T, 1600-XL140, 1600-XL141, 1600-XL142, 1600-XL143, 1600-XL144, 1600-XL146, 1600-XL147, 1600-XL150 XL156, XL157, XL255, XL256, XL257, and XL258