

Thank you for purchasing this Factory Service Manual CD/DVD from servicemanuals4u.com.

Please check out our eBay auctions for more great deals on Factory Service Manuals:

servicemanuals4u

maintenance & service guide

Presario 1400 Series

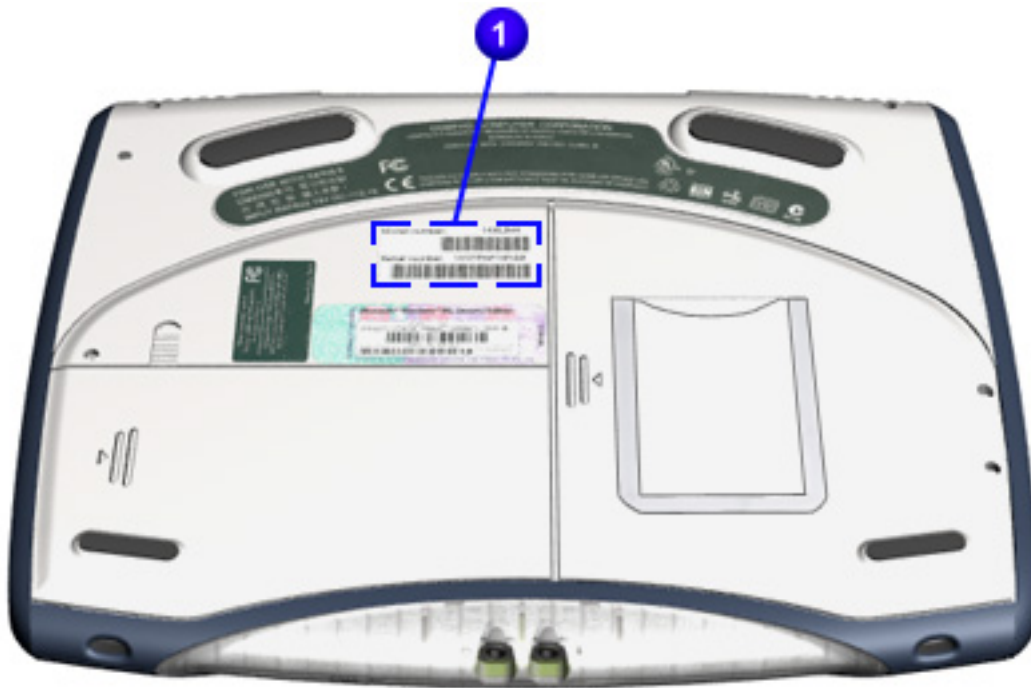
Model XL240, XL241, XL242, XL244, XL245, XL246, XL247, XL250, XL340, XL341, XL342, XL343, XL344, XL345, XL346, XL350, XL352, XL355, and XL356

Parts Catalog

This section provides illustrations of the spare for the Compaq Presario 1400 Series Notebook Computer and identifies the spare part ordering number and availability of each item.

Illustrated Parts

The Notebook serial number should be provided to Compaq whenever requesting information or ordering spare parts. To order parts, refer to [Part Numbers & Availability](#) section shown later in this chapter. The serial number ❶ is located underneath the unit.



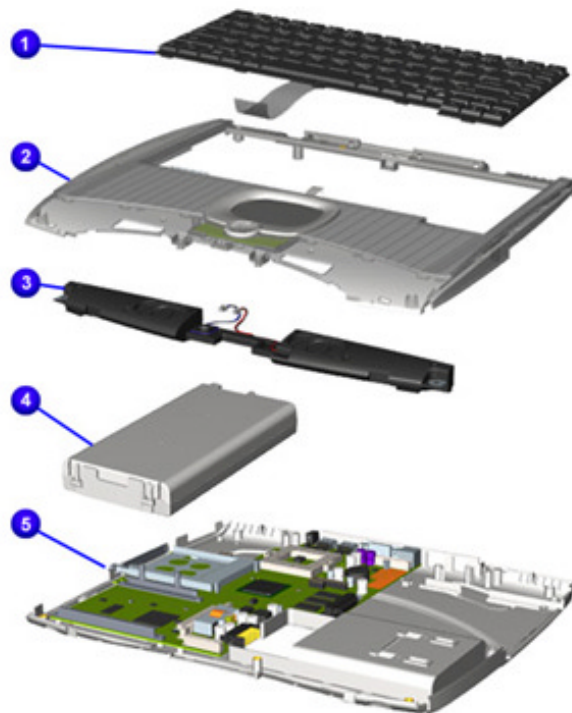
1.800.AT.COMPAQ

maintenance & service guide

Presario 1400 Series

Model XL240, XL241, XL242, XL244, XL245, XL246, XL247, XL250, XL340, XL341, XL342, XL343, XL344, XL345, XL346, XL350, XL352, XL355, and XL356

System Unit



No.	Description
①	Keyboard
②	Palmrest Cover with TouchPad and Button Board
③	Speakers with Conductive
④	Battery Packs
⑤	Enclosure Base

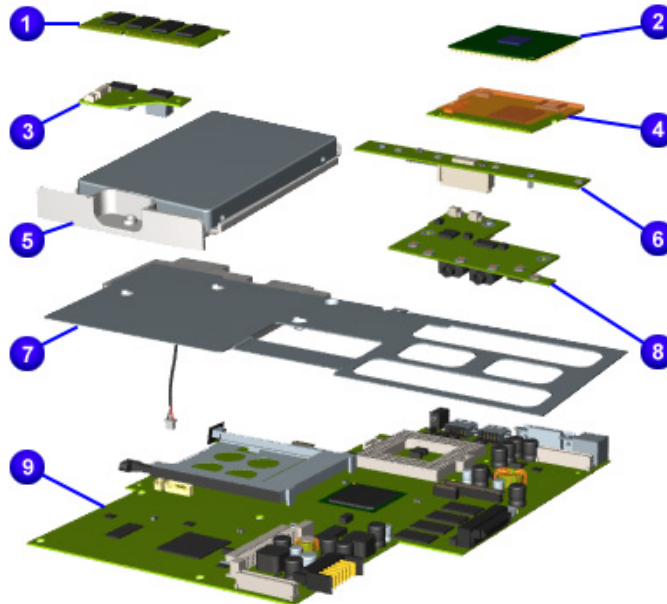
To order parts, refer to [Part Numbers & Availability](#) shown later in this chapter.

maintenance & service guide

Presario 1400 Series

Model XL240, XL241, XL242, XL244, XL245, XL246, XL247, XL250, XL340, XL341, XL342, XL343, XL344, XL345, XL346, XL350, XL352, XL355, and XL356

Boards



No.	Description
①	Memory
②	Processor
③	RJ11 Connector Board
④	Modems K-56K Mini
⑤	Hard Drive
⑥	Internet Board
⑦	Heatspreader with Fan Assembly
⑧	Audio Board
⑨	System Board

To order parts, refer to [Part Numbers & Availability](#) shown later in this chapter.

maintenance & service guide

Presario 1400 Series

Model XL240, XL241, XL242, XL244, XL245, XL246, XL247, XL250, XL340, XL341, XL342, XL343, XL344, XL345, XL346, XL350, XL352, XL355, and XL356

Display Assembly



Description

Display Panel Assembly

To order parts, refer to [Part Numbers & Availability](#) shown later in this chapter.

maintenance & service guide

Presario 1400 Series

Model XL240, XL241, XL242, XL244, XL245, XL246, XL247, XL250, XL340, XL341, XL342, XL343, XL344, XL345, XL346, XL350, XL352, XL355, and XL356

Mass Storage Devices



Spare Part Items

No.	Description
❶	1.44MB Diskette Drive
❷	Hard Drive
❸	DVD-ROM Drive
❹	24X CD-ROM Drive

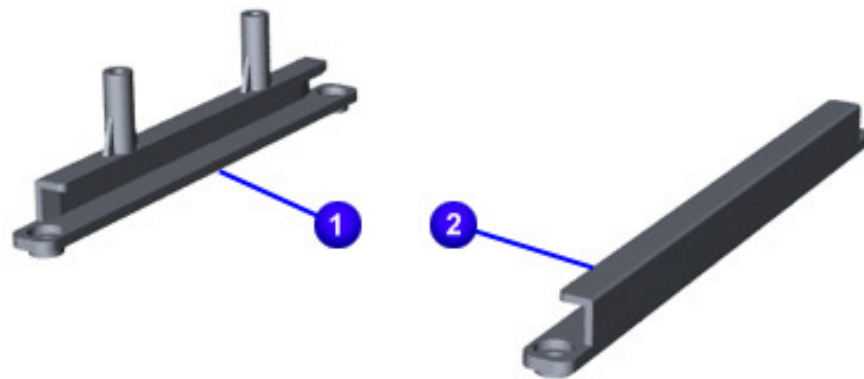
To order parts, refer to [Part Numbers & Availability](#) shown later in this chapter.

maintenance & service guide

Presario 1400 Series

Model XL240, XL241, XL242, XL244, XL245, XL246, XL247, XL250, XL340, XL341, XL342, XL343, XL344, XL345, XL346, XL350, XL352, XL355, and XL356

Miscellaneous Hardware Kit



Spare Part Items

Description

Miscellaneous Hardware Kit

- ❶ Left Hard Drive Rail
- ❷ Right Hard Drive Rail

To order parts, refer to [Part Numbers & Availability](#) shown later in this chapter.

maintenance & service guide

Presario 1400 Series

Model XL240, XL241, XL242, XL244, XL245, XL246, XL247, XL250, XL340, XL341, XL342, XL343, XL344, XL345, XL346, XL350, XL352, XL355, and XL356

Miscellaneous Parts



Spare Part Items

Description

AC Adapter

To order parts, refer to [Part Numbers & Availability](#) shown later in this chapter.



maintenance & service guide

Presario 1400 Series

Model XL240, XL241, XL242, XL244, XL245, XL246, XL247, XL250, XL340, XL341, XL342, XL343, XL344, XL345, XL346, XL350, XL352, XL355, and XL356

Part Numbers & Availability

This section is a comprehensive list of the parts associated with the 1400 Series Notebooks. It provides the part number, applicable model(s), and the availability of each item.

Build-to-Order Models

1400 Build-to-Order Models			
Description	Part Number	Description	Part Number
Processor: Celeron 600 FC-PGA Pentium III 600	201566-001 159485-001	CD, DVD, CD-RW: 24X CD-ROM 8X DVD CD-RW	201791-001 201792-001 212785-001
Display: 12.1-in TFT 13.3-in TFT	TBD 201563-001	Hard Drive: 6.0 GB 10.0 GB	170087-001 200349-001
Batteries: Li-ion 3.2	197595-001	Miscellaneous: Custom Plastics, Amethyst Purple Custom Plastics, Ruby Red Custom Plastics, Emerald Green Custom Plastics, Onyx Black Custom Plastics, Sapphire Blue Custom Plastics, Eddie Bauer Logo Badge Packaging CTO	206851-001 206852-001 206853-001 206854-001 206855-001 TBD 201561-001 TBD
Memory: 100MHz 128SD (64up +64down) 100MHz 192SD (64down +128up) 100MHz 64SD (down) 100MHz 96SD (64down + 32up)	TBD TBD 122700-001 TBD	Software: FHC CD Pro Office 2000 CD SBE Office 2000 CD	TBD TBD TBD
Diskette Drive: USB Floppy	197598-001	Additional Items: AC Adapter with Power Cord Battery Li-ion 3.2 Mouse, CPQ USB	TBD 197595-001 TBD
Base Unit: No Floppy, EddieBauer, WinME No Floppy, Trident, WinME	TBD TBD		



maintenance & service guide

Presario 1400 Series

Model XL240, XL241, XL242, XL244, XL245, XL246, XL247, XL250, XL340, XL341, XL342, XL343, XL344, XL345, XL346, XL350, XL352, XL355, and XL356

Alphabetical Spares Listing

In this section, the following spare parts pertaining to the 1400 Series Notebooks are listed alphabetically. To find a part number, choose the letter that your spare part starts with from the alphabet index below (Example: choose "P" for Processor).

[A](#) [B](#) [C](#) [D](#) [E](#) [F](#) [G](#) [H](#) [I](#) [J](#) [K](#) [L](#) [M](#) [N](#) [O](#) [P](#) [Q](#) [R](#) [S](#) [T](#) [U](#) [V](#) [W](#) [X](#) [Y](#) [Z](#)

Spare Part Description	Part Number	Applicable Models	Availability
AC Adapter (60W Slim 3 Wire)	180675-001	242, 246, 247, 250, 352, CTO	
AC Adapter (60W Slim 2 Wire)	180676-001	240, 244, 245, CTO	
AC Adapter	298239-001	241, CTO	
AC Power Cord (Intl 3 Wire)	170513-002	242, 246, 247, 250	
AC Power Cord (UK 3 Wire)	170513-031	242, 250	
AC Power Cord (IT 3 Wire)	170513-061	242, 250, 352	
AC Power Cord (SWI 3 Wire)	170513-115	250, 352	
AC Power Cord NA	293831-001	240, 241, 244, 245, CTO	
Audio Board	201782-001	All, CTO	
Battery Pack (3.2 Ahr, Li-ion Enhanced)	197595-001	240, 241, 242, 245, 246, 247, 250, 340, 341, 342, 343, 344, 345, 346, 350, 352, 355, 356, CTO	
Battery Pack (3.6 Ahr, Li-ion Enhanced)	199938-001	CTO	
Battery Pack (4.5 Ahr, Li-ion Enhanced)	197596-001	244, CTO	
Button Board Cover w/Internet Buttons	201790-001	240, 241, 242, 244, 245, 246, 247, 250, CTO	
Button Board Cover w/Internet Buttons	TBD		
Connector Board (RJ11)	201785-001	All, CTO	
CD Play Cover	201788-001	All, CTO	
CD-ROM Drive 24X	201791-001	240, 241, 242, 244, 341, 342, 343, 350, CTO	
CD-RW Drive 2200	212785-001		
CPU Cover	201789-001	All, CTO	
Diskette Drive (1.44 MB)	197598-001	All, CTO	
Display Panel (12.1-in TFT)	212782-001	246, CTO	

[Return to the alphabet index.](#)



maintenance & service guide

Presario 1400 Series

Model XL240, XL241, XL242, XL244, XL245, XL246, XL247, XL250, XL340, XL341, XL342, XL343, XL344, XL345, XL346, XL350, XL352, XL355, and XL356

Spare Part Description	Part Number	Applicable Models	Availability
Display Panel (12.1-in DSTN)	212783-001	CTO	
Display Panel (13.0-in STN)	201562-001	240, 241, 242, 244, CTO	
Display Panel (13.3-in TFT)	201563-001	245, 247, 250, CTO	
Display Panel (12.1-in TFT B0031)	221668-001	340, 352	
Display Panel (13.0-in STN B0031)	221670-001	341	
Display Panel (13.3-in TFT B0031)	221669-001	342, 343, 344, 345, 346, 350, 355, 356	
DVD Drive (6X)	212784-001	CTO	
DVD Drive (8X)	201792-001	245, 246, 250, 340, 344, 345, 346, 352, 355, CTO	
Enclosure Base	201793-001	All, CTO	
Hard Drive (5.0 GB)	169609-001	246, CTO	
Hard Drive (6.0 GB)	170087-001	240, 241, 242, 244, 245, 247, 250, 340, 341, 345, 352, 355, 356, CTO	
Hard Drive (10.0 GB)	200349-001	342, 343, 344, 346	
Hard Drive (12.0 GB)	170086-001	CTO	Not Available
Hard Drive (15.0 GB)	216173-001	350, CTO	
Heat Spreader 2200	201794-001	240, 241, 242, 244, 245, 246, 247, 250, CTO	
Heat Spreader with Points	221330-001	340, 341, 342, 343, 344, 345, 346, 350, 352, 355, 356, CTO	
Internet Board Cover (B0031)	221671-001	340, 341, 342, 343, 344, 345, 346, 350, 352, 355, 356, CTO	
Internet Board	201783-001	245, 246, 247, 250, 340, 341, 345, 352, 355, 356, CTO	
Internet Board for DRGB	201784-001	240, 241, 242, 244, 341, 352, CTO	
Keyboard (US)	201795-001	240, 244, 245, 340, 342, 345, 355, CTO	
Keyboard (UK)	201795-031	242, 250, 355	
Keyboard (GR)	201795-041	250, 355	

[Return to the alphabet index.](#)



maintenance & service guide

Presario 1400 Series

Model XL240, XL241, XL242, XL244, XL245, XL246, XL247, XL250, XL340, XL341, XL342, XL343, XL344, XL345, XL346, XL350, XL352, XL355, and XL356

Spare Part Description	Part Number	Applicable Models	Availability
Keyboard (FR)	201795-051	242, 250, 355	
Keyboard (IT)	201795-061	242, 250, 352, 355	
Keyboard (DK)	201795-081	250, 355	
Keyboard (NO)	201795-091	242, 250, 355	
Keyboard (SE)	201795-101	242, 250, 355	
Keyboard (LA)	201795-161	241, 341, 355	
Keyboard (BEL)	201795-181	242	
Keyboard (JP)	201795-291	343, 344, 346	
Keyboard (SG)	201795-311	250, 352	
Keyboard (NL)	201795-331	246, 247, 356	
Logo Kit	201561-001	All, CTO	
Memory (S.O. DIMM 64 MB PC100)	122700-001	350	
Miscellaneous Cable Kit	201787-001	All, CTO	
Miscellaneous Plastic/Hardware Kit	201781-001	CTO	
Miscellaneous Screw Kit	330959-001	All, CTO	
Modem (K-56K Mini) US	159502-001	241, CTO	
Modem (K-56K Mini) Intl	159502-002	242, 246, 247, 250	
Modem/NIC Combo (56K Mini) US	212786-001	240, 244, 245, 340, 341, 345	
Modem/NIC Combo (56K Mini) Intl	221329-002	342, 350	
Plastics Kit, Amethyst Purple	206851-001	CTO	
Plastics Kit, Emerald Green	206853-001	CTO	
Plastics Kit, Onyx Black	206854-001	240, 241, 242, 244, 245, 246, 247, 250, CTO	
Plastics Kit, Ruby Red	206852-001	CTO	
Plastics Kit, Sapphire Blue	206855-001	CTO	
Processors, Celeron 566MHz 1.5 V FC-PGA	201565-001	242, 244, 245, 246, CTO	
Processors, Celeron 600 MHz 2V FC-PGA	201566-001	240, 241, 247, 250, 340, 343, 344, 346, 352, CTO	
Processors, Celeron 633 MHz 1.6V FC-PGA	217844-001	341	Not Available
Processors, Celeron 677 MHz 1.6V FC-PGA	221667-001	341, 355, 356	Not Available

[Return to the alphabet index.](#)



maintenance & service guide

Presario 1400 Series

Model XL240, XL241, XL242, XL244, XL245, XL246, XL247, XL250, XL340, XL341, XL342, XL343, XL344, XL345, XL346, XL350, XL352, XL355, and XL356

Spare Part Description	Part Number	Applicable Models	Availability
Processors, PIII 600 MHz 256K Cache	159485-001	240, 241, 247, 250, CTO	
Processors, PIII 650 MHz 256K Cache	175308-001	345, CTO	Not Available
Processors, PIII 700 MHz 256K Cache	221415-001	342, 350	
Return Kit	293799-001	All, CTO	
Speakers with Conductive	197597-001	All, CTO	
System Board (I/O w/64 MB SDRAM)	201786-001	240, 241, 242, 244, 245, 246, 247, 250, CTO	
System Board (I/O w/64 MB SDRAM P3 1.65V)	216172-001	CTO	
System Board (I/O w/64 MB SDRAM 1.5V & 1.65V PWM)	218497-001	CTO	
System Board (I/O w/64 MB SDRAM PWM SB)	221328-001	340, 341, 342, 343, 344, 345, 346, 350, 352, 355, 356, CTO	

[Return to the alphabet index.](#)