

Thank you for purchasing this Factory Service Manual CD/DVD from servicemanuals4u.com.

Please check out our eBay auctions for more great deals on Factory Service Manuals:

servicemanuals4u

maintenance & service guide

Presario 1700 Series

Models: XL260, XL261, XL262, XL264, XL265, XL266, XL274, XL275, XL360, XL361, XL362, XL363, XL364, XL365, XL366, XL367, XL368, XL369, XL370, XL371, XL372, XL373, XL374, XL375, XL376, XL377, and XL378

Pin Assignments

This appendix provides connector pin assignment tables for Compaq Presario 1700 Series Notebook Computers. For more information about connectors, refer to the section on [Connectors](#).

Note: The signals in all tables of this appendix are considered active high unless otherwise indicated by an asterisk (*).

Parallel Connector

| Parallel Connector | | | |
|--------------------|------------|-------|---------------------|
| | | | |
| Pin | Signal | Pin | Signal |
| 1 | Strobe* | 10 | Acknowledge* |
| 2 | Data Bit 0 | 11 | Busy |
| 3 | Data Bit 1 | 12 | Paper Out |
| 4 | Data Bit 2 | 13 | Select |
| 5 | Data Bit 3 | 14 | Auto Linefeed* |
| 6 | Data Bit 4 | 15 | Error* |
| 7 | Data Bit 5 | 16 | Initialize Printer* |
| 8 | Data Bit 6 | 17 | Select In* |
| 9 | Data Bit 7 | 18-25 | Signal Ground |


* = Active low

maintenance & service guide

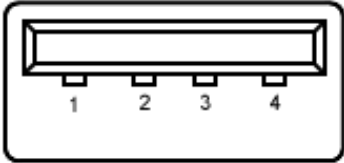
Presario 1700 Series

Models: XL260, XL261, XL262, XL264, XL265, XL266, XL274, XL275, XL360, XL361, XL362, XL363, XL364, XL365, XL366, XL367, XL368, XL369, XL370, XL371, XL372, XL373, XL374, XL375, XL376, XL377, and XL378

SVGA Connector

| SVGA Connector | | |
|---|-----|--------|
| Connector | Pin | Signal |
|  | 1 | Ground |
| | 2 | Ground |
| | 3 | TV_C |
| | 4 | TV_Y |

Universal Serial Bus Connector

| Universal Serial Bus Connector | | |
|---|-----|--------|
| Connector | Pin | Signal |
|  | 1 | Ground |
| | 2 | D+ |
| | 3 | D- |
| | 4 | Power |

maintenance & service guide

Presario 1700 Series

Models: XL260, XL261, XL262, XL264, XL265, XL266, XL274, XL275, XL360, XL361, XL362, XL363, XL364, XL365, XL366, XL367, XL368, XL369, XL370, XL371, XL372, XL373, XL374, XL375, XL376, XL377, and XL378

External VGA Monitor Connector

| External VGA Monitor Connector | | |
|--------------------------------|-----|------------------|
| Connector | Pin | Signal |
| | 1 | Red Analog |
| | 2 | Green Analog |
| | 3 | Blue Analog |
| | 4 | Monitor Detect 2 |
| | 5 | Ground |
| | 6 | Ground Analog |
| | 7 | Ground Analog |
| | 8 | Ground Analog |
| | 9 | DCD +5V |
| | 10 | Ground |
| | 11 | Monitor Detect 1 |
| | 12 | DDC2B Data |
| | 13 | Horizontal Sync |
| | 14 | Vertical Sync |
| | 15 | DDC2B Clock |

Modem Connector

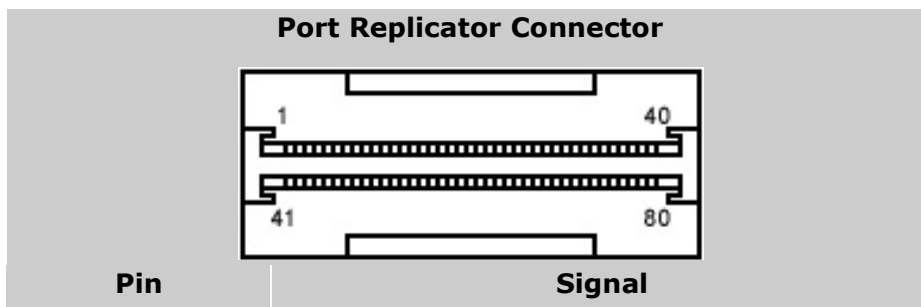
| Modem Connector | | |
|-----------------|-----|--------|
| Connector | Pin | Signal |
| | 1 | Unused |
| | 2 | Unused |
| | 3 | Ring |
| | 4 | Tip |

maintenance & service guide

Presario 1700 Series

Models: XL260, XL261, XL262, XL264, XL265, XL266, XL274, XL275, XL360, XL361, XL362, XL363, XL364, XL365, XL366, XL367, XL368, XL369, XL370, XL371, XL372, XL373, XL374, XL375, XL376, XL377, and XL378

Port Replicator Connector



This information was not available at time of publication.

LAN Connector

| LAN Connector | | |
|---------------|-----|--------|
| Connector | Pin | Signal |

This information was not available at time of publication.