

Thank you for purchasing this Factory Service Manual CD/DVD from servicemanuals4u.com.

Please check out our eBay auctions for more great deals on Factory Service Manuals:

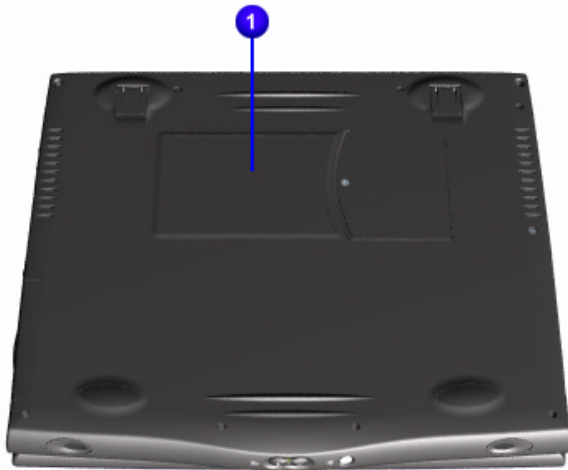
[servicemanuals4u](http://servicemanuals4u.com)

maintenance & service guide

Presario 1800 Series

Models: **XL180, XL181, XL182, XL183, XL185,**
and **XL190, XL191, XL192**

Illustrated Parts Catalog



This chapter provides illustrations of the spare parts for Presario 1800XL Series Notebook Computer.

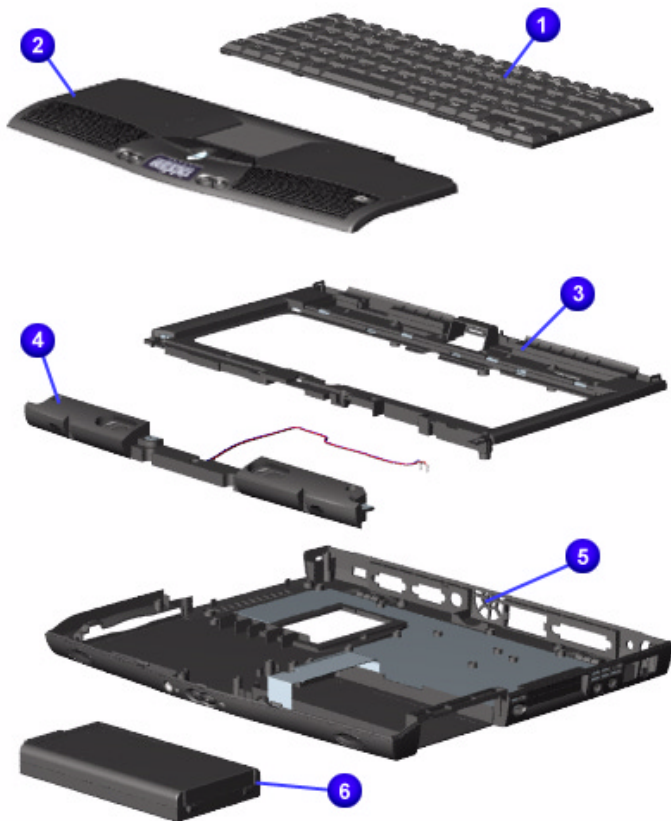
The Notebook serial number is required when customers request information or order spare parts. The serial number ① is located on the underside of the unit.

1.800.AT.COMPAQ

maintenance & service guide

Presario 1800 Series
Models: XL180, XL181, XL182, XL183, XL185,
and XL190, XL191, XL192

System Units



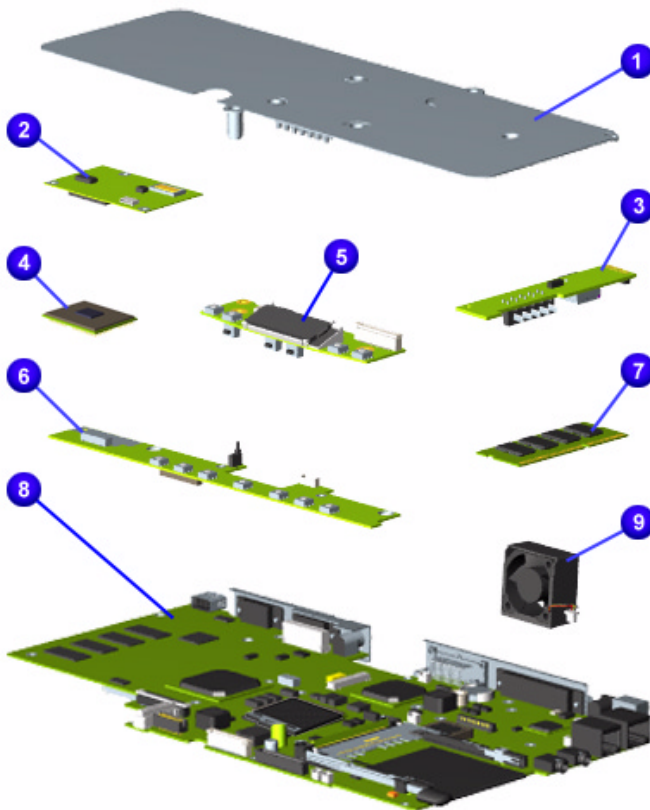
#	Description	Part No.
①	Keyboards	171819-xxx US -001 NL -331 FR -051 IT -061 GR -041 UK -031 138180-xxx UK -031 GR -041 FR -051
②	Palmrest Cover w/ TouchPad and Button Board	138181-001
③	CPU Cover w/ Power Switch	138183-001
④	Speaker Assembly w/Cables	138185-001
⑤	Enclosure Base (I) Enclosure Base (II)	138182-001 171816-001
⑥	Battery Pack Li-Ion Enhanced	138184-001
⑦	Button Board Cover (not shown)	143926-001

maintenance & service guide

Presario 1800 Series

Models: XL180, XL181, XL182, XL183, XL185,
and XL190, XL191, XL192

System Boards



#	Description	Part No.
①	Heatspreader Heatspreader	159698-001 (I) 171817-001 (II)
②	Modem 56K Data/Fax w/o SRAM -US -Int'l	400445-001 143848-001
③	Voltage Converter Board (battery charger)	138177-001 (I) 171815-001 (II)
④	Processors PIII 500MHz 256K Cache MMC-2 uPGA2 PII 600MHz 256K Cache uPGA2 C500MHz 128K Cache	161492-001 173755-001 175319-001 179454-001
⑤	LCD Indicator Module (not shown)	138187-001 (I) 177457-001 (II)
⑥	Internet Button Board	138186-001
⑦	Memory S.O. Dimm 32 MB PC100 64 MB PC100 128 MB PC100 256 MB PC100	122699-001 122700-001 123930-001 175325-001
⑧	System I/O Boards w/ 64 MB SDRAM	171813-001 158804-001 (Mobility-P)
⑨	Fan Assembly	138162-001
⑩	PCI Ethernet 10/100T LAN Card (not shown)	138164-001

maintenance & service guide

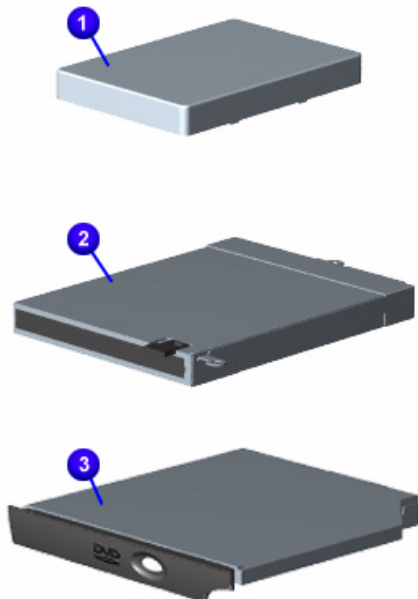
Presario 1800 Series
Models: XL180, XL181, XL182, XL183, XL185,
and XL190, XL191, XL192

Display Panel Assembly



Description	Part No.
15.0" TFT/LVDS Display Panel	171814-001 203698-001

Mass Storage Devices



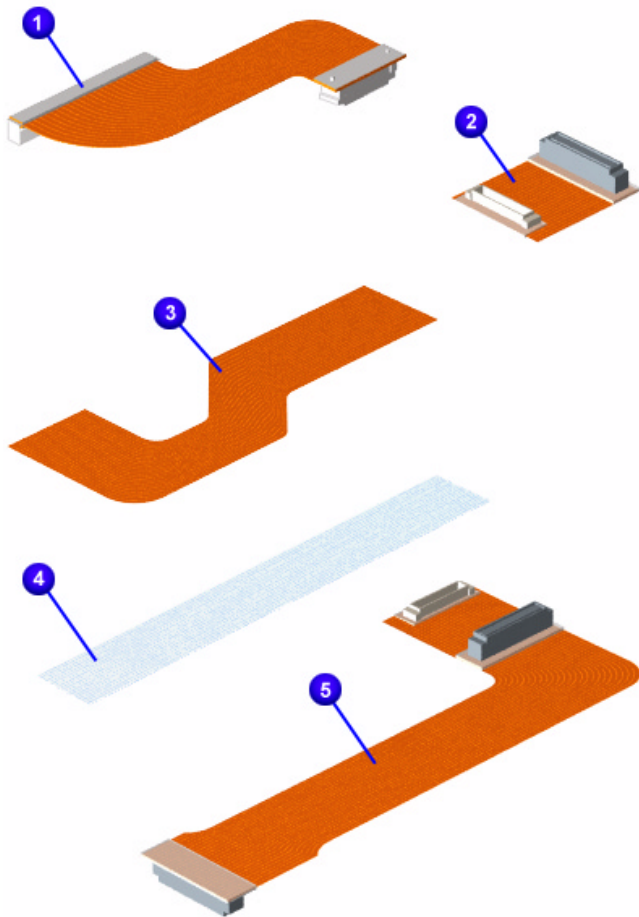
#	Description	Part No.
①	Hard Drives 6.0 GB 12.0 GB	170087-001 170086-001
②	1.44-MB Diskette Drive	138188-001
③	DVD Drives 6X 6X 8X	158165-001 192408-001 175326-001
④	24X CD-ROM Drive (not shown)	143922-001
⑤	CD-R/W Drive (not shown)	171377-001

maintenance & service guide

Presario 1800 Series

Models: XL180, XL181, XL182, XL183, XL185,
and XL190, XL191, XL192

Miscellaneous Cables



#	Description	Part No.
Miscellaneous Cable Kit*		138189-001
①	Hard Drive Cable	
②	CD/DVD Drive Cable	
③	Diskette Drive Cable	
④	Status Panel Cable	
⑤	DisqPlay LCD Cable	
⑥	Modem Cable (not shown)	
⑦	TouchPad Cable (not shown)	

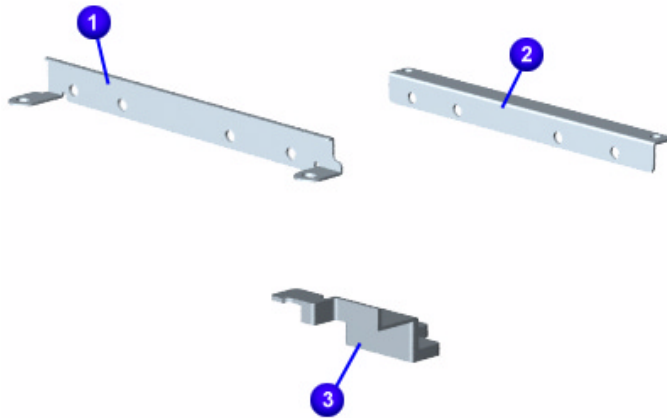
**Kit includes one of each unless quantity specified.*

maintenance & service guide

Presario 1800 Series

Models: XL180, XL181, XL182, XL183, XL185,
and XL190, XL191, XL192

Miscellaneous Hardware Kit

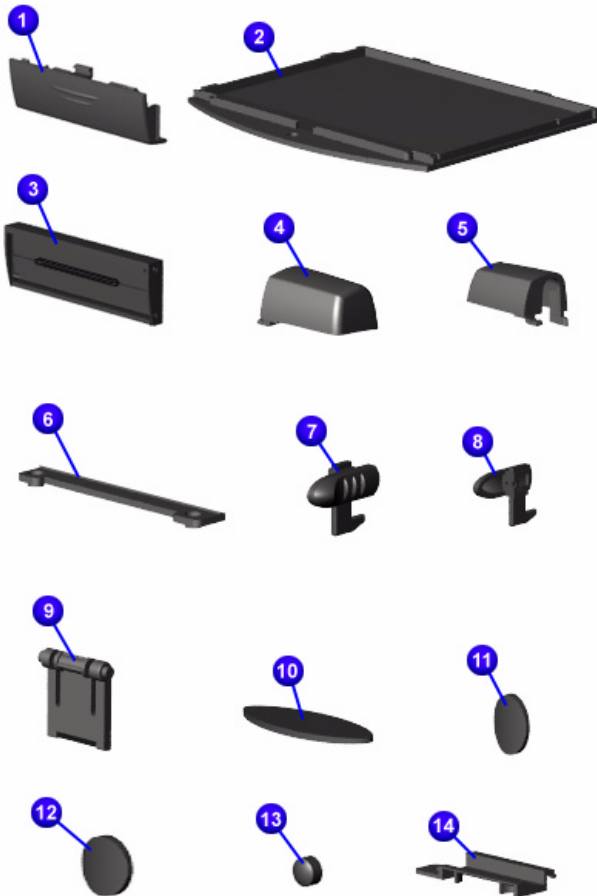


#	Description	Part No.
Miscellaneous Hardware Kit		138160-001
①	Hard Drive Mounting Bracket (right)	
②	Hard Drive Mounting Bracket (left)	
③	Reinforcement Bracket	

maintenance & service guide

Presario 1800 Series
Models: XL180, XL181, XL182, XL183, XL185,
and XL190, XL191, XL192

Miscellaneous Plastics



#	Description	Part No.
Miscellaneous Plastics Kit*		138190-001
①	Battery Pack Door	
②	Memory Module Cover	
③	PCMCIA Door	
④	Display Hinge Cover (Right)	
⑤	Display Hinge Cover (Left)	
⑥	CD Drive Guide	
⑦	Latch (right) (qty. 10)	
⑧	Latch (left) (qty. 10)	
⑨	Stand-foot (qty. 10)	
⑩	Rubber Foot (qty. 10)	
⑪	Rubber Plug (side mount for 14.1-in. display) (qty. 10)	
⑫	Rubber Plug side mount for 15.0-in. display) (qty. 10)	
⑬	LCD Rubber Plug (qty. 10)	
⑭	Thin LCD Rubber Plug (14.1-in. Display) (qty. 10)	
⑮	LCD FPC Cover (not shown)	

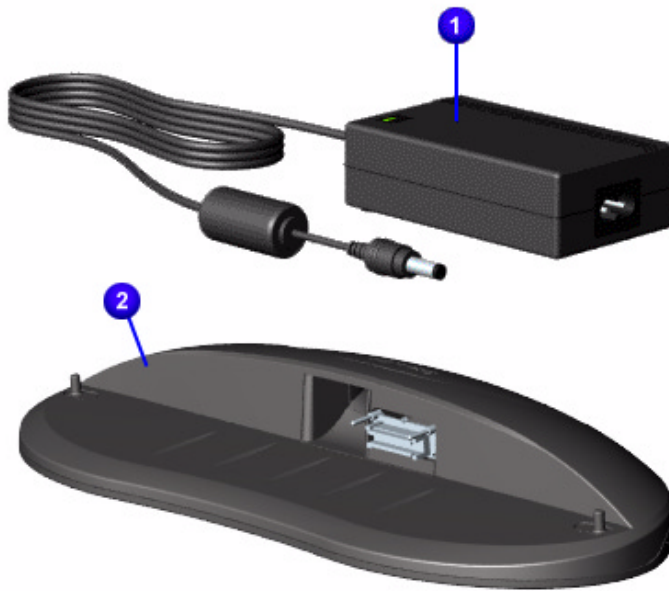
**Kit includes one of each unless quantity specified.*

maintenance & service guide

Presario 1800 Series

Models: XL180, XL181, XL182, XL183, XL185,
and XL190, XL191, XL192

Miscellaneous Parts



#	Description	Part No.
❶	AC Adapter	298239-001
	APD	164854-001
	60W Slim 3-Wire	180675-001
	60W Slim 2-Wire	180676-001
❷	QuikDock (Port Replicator)	138167-001
❸	Misc. Screw Kit (not shown)	138161-001
❹	Logo Kit (not shown)	169610-001
❺	Return Kit (not shown)	138166-001
❻	AC Power Cords (not shown)	
	N. America	293831-001
	Int'l (3-Wire)	170513-002
	UK (3-Wire)	170513-031
	IT (3-Wire)	170513-061

Documentation and Software

Item	Part No.
Win98 2nd Edition Manual Kit	146642-001
Win2000 Professional Manual Kit	164286-001
Emergency Recovery CD Kit	157296-002
QuickRestore Kit	169300-001
Win98 Reference Guide	117894-003
Features Guide	120223-001

maintenance & service guide

Presario 1800 Series
Models: XL180, XL181, XL182, XL183, XL185,
and XL190, XL191, XL192

Configure To Order (CTO) Parts

Description	Part No.
Display	
14.1" TFT	175324-001
15.0" TFT LVDS	171814-001
15.0" TFT LVDS M D(Special)	203698-001
Processors	
Pentium III 450 w/128 Cache (uPGA2)	175321-001
Pentium III 450 w/256 Cache (uPGA2)	175320-001
Pentium III 500 w/256 Cache (uPGA2)	173755-001
Pentium III 600 w/256 Cache (uPGA2)	175319-001
Pentium III 650 w/256 Cache (uPGA2)	175322-001
Pentium III 700 w/256 Cache (uPGA2)	175323-001
Celeron 500 w/128K Cache (uPGA2)	179454-001
System Memory S.O.DIMM	
32 MB, PC100	122699-001
64 MB, PC100	122700-001
128 MB	123930-001
256 MB	175325-001
System Board I/O w/64 MB SDRAM	171813-001
System Board I/O w/64 MB SDRAM Mobility-P	158804-001
64 MB Module Installed in Slot 1	TBD
64 MB On System Board	
32 MB Module Installed in Slot 1	TBD
64 MB On System Board	
128 MB Module Installed in Slot 1	TBD
64 MB On System Board	
256 MB Module Installed in Slot 1	TBD
CD-ROM/DVD Drives	
8X	175326-001
24X	TBD
CD-R/W Drive	171377-001
24X CD-ROM Drive	TBD
6X-DVD Drive	TBD
8X-DVD Drive	TBD

maintenance & service guide

Presario 1800 Series

Models: XL180, XL181, XL182, XL183, XL185,
and XL190, XL191, XL192

Description	Part No.
Hard Drive	
06.0-GB	TBD
12.0-GB	TBD
18.0-GB	161544-001
30.0-GB	TBD
Port Replicator (Quick Dock)	138167-001
Base Unit Floppy, 64M, 56K, ATI8M-US	TBD
Battery Li-ON 3.6 Ahr	177458-001
Software	
Windows 98	TBD
Windows 2000	TBD
Word 2000	TBD
Software Bundle	
FHC Package	TBD
SBE Package	TBD
PRO Package	TBD