

Thank you for purchasing this Factory Service Manual CD/DVD from [servicemanuals4u.com](http://servicemanuals4u.com).

Please check out our eBay auctions for more great deals on Factory Service Manuals:

[servicemanuals4u](http://servicemanuals4u.com)


# maintenance & service guide

## Presario 1800/1800T Series Models: XL280, XL380, XL381, and XL390

## Removal & Replacement

This chapter details the necessary preparations for disassembling the Notebook and explains removing and replacing each component of the Presario 1800XL Series Notebooks.


### Electrostatic Discharge

 **CAUTION:** When removing or replacing parts, be careful to discharge static electricity before touching the Notebook's internal components.

A sudden discharge of static electricity from a finger or other conductor can destroy static-sensitive devices and microcircuitry. Often the spark is neither felt nor heard, but damage occurs. An electronic device exposed to an electrostatic discharge may work perfectly throughout a normal cycle. However, the discharge degrades internal layers, which reduces the operating life of the device. Networks built into many integrated circuits provide some protection, but in many cases the discharge still contains enough power to alter device parameters or melt silicon junctions.

The table below shows the amount of static electricity generated by common activities associated with servicing computers.

Activity	Generated Electrostatic Voltage		
	Relative Humidity		
	10%	40%	55%
Walking across carpet	35,000 V	15,000 V	7,500 V
Walking across vinyl floor	12,000 V	5,000 V	3,000 V
Motions of bench worker	6,000 V	800 V	400 V
Removing DIPS from plastic tubes	2,000 V	700 V	400 V
Removing DIPS from vinyl trays	11,500 V	4,000 V	2,000 V
Removing DIPS from styrofoam	14,500 V	5,000 V	3,500 V
Removing bubble pack from PCBs	26,000 V	20,000 V	7,000 V
Packing PCBs in foam-lined box	21,000 V	11,000 V	5,000 V

 **CAUTION:** As little as 700 Volts can degrade Notebook components. Be sure to ground yourself before touching the Notebook or its subassemblies.

# maintenance & service guide

**Presario 1800/1800T Series**  
**Models: XL280, XL380, XL381,**  
**and XL390**

## *Required Tools*

The following items are required to service the Notebook:

- Torx T-8 screwdriver
- 5 mm nut drivers (for screwlocks and standoffs)
- Small standard screwdriver
- Small Phillips screwdriver

## *Screws*

The screws used in the Notebook are **not** interchangeable. If an incorrect screw is used during the reassembly process, it can damage the unit. Compaq strongly recommends that all screws removed during disassembly be kept with the part that was removed, then returned to their proper locations.

**Important:** As each subassembly is removed from the Notebook, place it together with its screws away from the work area to prevent damage.

## *Connectors & Plastic Parts*


Plastic parts can be damaged by the use of excessive force during disassembly and reassembly. When handling plastic parts, use care. Apply pressure only at the points designated in the instructions.

# maintenance & service guide

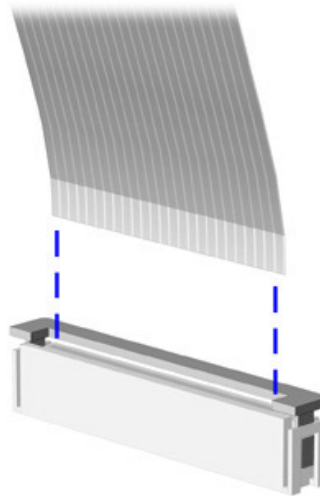
**Presario 1800/1800T Series**  
**Models: XL280, XL380, XL381,**  
**and XL390**


## ZIF Connector

The 1800XL Notebooks use many zero insertion force (ZIF) connectors on the system board.

 **CAUTION:** A ZIF connector and its attached cable can be easily damaged. Handle only the connector slide when removing or replacing a cable. Never pull or twist on the cable while it is connected.

To remove a cable from a ZIF connector, lift both corners of the ZIF connector and slide the cable straight out with constant light pressure.



 **CAUTION:** When servicing these Notebooks, make sure that cables are placed in their proper locations during the reassembly process. Improper cable placement can damage the Notebook.

# maintenance & service guide

## Presario 1800/1800T Series


Models: XL280, XL380, XL381,  
and XL390

### *Cables*

Most cables used in the Notebook are ribbon cables.

Cables must be handled with extreme care to avoid damage. Use the following precautions when handling cables to avoid damage to the cable and the Notebook:

- Always handle cables by their connectors.
- In all cases, avoid bending, twisting, pulling, or tearing cables.
- Apply only the minimum pressure required to seat or unseat cables from their connectors.
- Make sure that cables are routed in such a way that they cannot be caught or snagged by parts being removed or replaced.
- Handle flex cables with extreme care; they can tear easily.

 **CAUTION:** When servicing a Notebook, make sure that cables are placed in their proper locations during the reassembly process. Improper cable placement can cause severe damage to the unit.

The following illustrations show the proper placement for each cable:

- [Hard Drive Ribbon Cable](#)
- [CD/DVD Ribbon Cable](#)
- [Diskette Drive Ribbon Cable](#)
- [Speaker Assembly Cable](#)
- [Keyboard Ribbon Cable](#)

# maintenance & service guide

**Presario 1800/1800T Series**  
**Models: XL280, XL380, XL381,**  
**and XL390**

## Hard Drive Ribbon Cable

The position for the hard drive ribbon cable is shown below.



**CAUTION:** When servicing this Notebook, make sure that cables are placed in their proper locations during the reassembly process. Improper cable placement can damage the Notebook.

The following illustrations show the proper placement for other cables in the unit:

- [CD/DVD Ribbon Cable](#)
- [Diskette Drive Ribbon Cable](#)
- [Speaker Assembly Cable](#)
- [Keyboard Ribbon Cable](#)

To remove or replace the hard drive, see [Hard Drive Removal Procedures](#) later in this chapter.

# maintenance & service guide

**Presario 1800/1800T Series**  
**Models: XL280, XL380, XL381,**  
**and XL390**

## CD/DVD Ribbon Cable

The position for the CD/DVD drive ribbon cable is shown below.



**CAUTION:** When servicing this Notebook, make sure that cables are placed in their proper locations during the reassembly process. Improper cable placement can damage the Notebook.

The following illustrations show the proper placement for other cables in the unit:

- [Hard Drive Ribbon Cable](#)
- [Diskette Drive Ribbon Cable](#)
- [Speaker Assembly Cable](#)
- [Keyboard Ribbon Cable](#)

To remove or replace the CD or DVD drive, see [CD/DVD Drive Removal Procedures](#) later in this chapter.

# maintenance & service guide

**Presario 1800/1800T Series**  
Models: XL280, XL380, XL381,  
and XL390

## Diskette Drive Ribbon Cable

The position for the diskette drive ribbon cable is shown below.



**CAUTION:** When servicing this Notebook, make sure that cables are placed in their proper locations during the reassembly process. Improper cable placement can damage the Notebook.

The following illustrations show the proper placement for other cables in the unit:

- [Hard Drive Ribbon Cable](#)
- [CD/DVD Ribbon Cable](#)
- [Speaker Assembly Cable](#)
- [Keyboard Ribbon Cable](#)

To remove or replace the diskette drive, see [Diskette Drive Removal Procedures](#) later in this chapter.



# maintenance & service guide

**Presario 1800/1800T Series**  
**Models: XL280, XL380, XL381,**  
**and XL390**

## Speaker Assembly Cable

The position for the speaker assembly cable is shown below. The cable is routed under the battery charger board and under the edge of the system board.



**CAUTION:** When servicing the Notebook, make sure that cables are placed in their proper locations during the reassembly process. Improper cable placement can damage the Notebook.

The following illustrations show the proper placement for other cables in the unit:

- [Hard Drive Ribbon Cable](#)
- [Diskette Drive Ribbon Cable](#)
- [CD/DVD Ribbon Cable](#)
- [Keyboard Ribbon Cable](#)

To remove or replace the speaker assembly, see [Speaker Assembly Removal Procedures](#) later in this chapter.

# maintenance & service guide

**Presario 1800/1800T Series**  
**Models: XL280, XL380, XL381,**  
**and XL390**

## Keyboard Ribbon Cable

The position for the keyboard ribbon cable is shown below.



**CAUTION:** When servicing the Notebook, make sure that cables are placed in their proper locations during the reassembly process. Improper cable placement can damage the Notebook.

The following illustrations show the proper placement for other cables in the unit:

- [Hard Drive Ribbon Cable](#)
- [Diskette Drive Ribbon Cable](#)
- [CD/DVD Ribbon Cable](#)
- [Speaker Assembly Cable](#)

To remove or replace the keyboard, see [Keyboard Removal Procedures](#) later in this chapter.

# maintenance & service guide


**Presario 1800/1800T Series**  
**Models: XL280, XL380, XL381,**  
**and XL390**


## *Preparing the Notebook for Disassembly*

Before beginning the removal or replacement of any Notebook components, complete the following steps:

1. Disconnect AC power source and any external devices.
2. Disconnect the Notebook from the QuikDock ([pg 11](#)).
3. Remove any PC cards.
4. Remove the battery pack ([pg 12](#)).

**Important:** The battery pack should be removed before performing any internal maintenance on the Notebook.

 **CAUTION:** Metal objects can damage the battery pack as well as the battery contacts in the battery compartment. To prevent damage, do not allow metal objects to touch the battery contacts. Place only the battery pack for the Compaq Presario 1800 Series Notebooks in the battery compartment. Do not force the battery pack into the bay if insertion is difficult.

 **CAUTION:** Do not crush, puncture, or incinerate the battery pack. Do not open a battery pack; this damages the pack, makes it unusable, and exposes potentially harmful battery components. No field-serviceable parts are located inside the battery pack.

**Note:** The Compaq Presario 1800 Series Notebooks have several screws of various sizes that are **not** interchangeable. Care must be taken during reassembly to ensure that the correct screws are used in their correct locations. During removal, keep screws with their associated subassembly.

**Important:** As each component is removed from the Notebook, place the it together with its screws away from the work area to prevent damage.

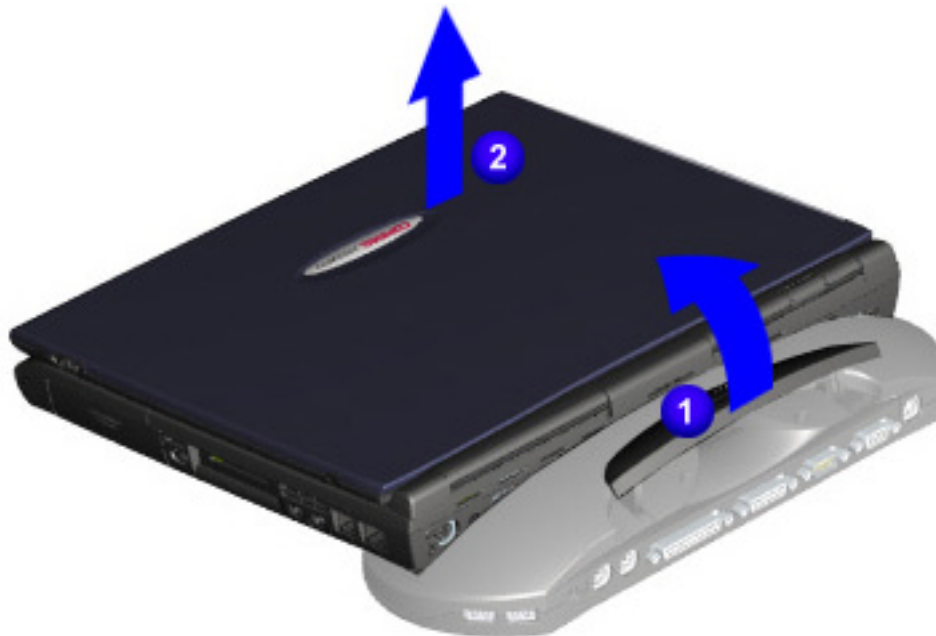
**Presario 1800/1800T Series**  
**Models: XL280, XL380, XL381,**  
**and XL390**

## *Removal Procedures*

This section outlines the removal and replacement of each component of the 1800XL Series Notebooks. To prepare the Notebook for disassembly, refer to the previous sections of this chapter.

### **QuikDock**

To disconnect from the QuikDock, lift the handle on top of the QuikDock to release the Notebook and lift the Notebook straight up.



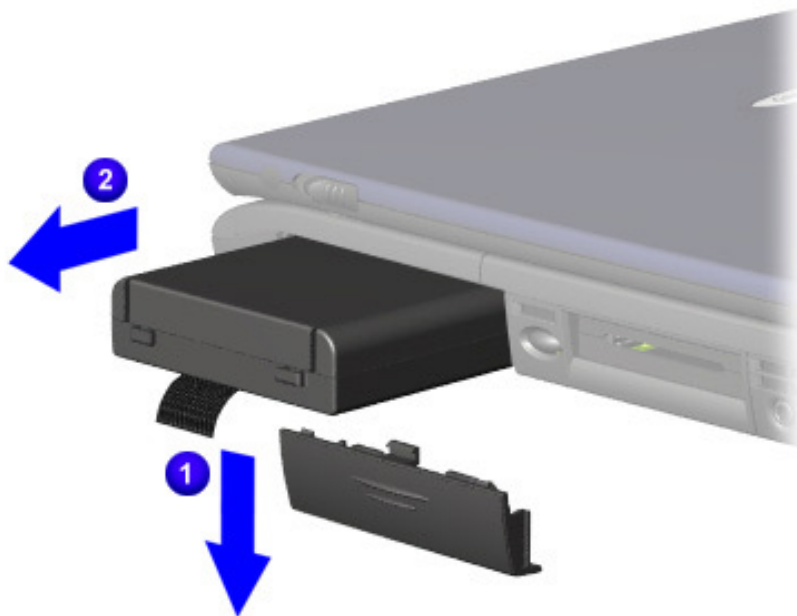
# maintenance & service guide

**Presario 1800/1800T Series**  
Models: XL280, XL380, XL381,  
and XL390

## Battery Pack

To remove the battery pack, complete the following steps:

1. Slide the battery pack compartment door down and remove it from the chassis ①.
2. Pull the battery pack from the chassis by the tab located on the end of the battery pack ②.



To replace the battery pack, reverse these procedures.

**Important:** The battery pack should be removed before performing any internal maintenance on the Notebook.

⚠ **CAUTION:** Metal objects can damage the battery pack as well as the battery contacts in the battery compartment. To prevent damage, do not allow metal objects to touch the battery contacts. Place only the battery pack for the Compaq Presario 1800 Series Portable Notebooks into the battery compartment. Do not force the battery pack into the bay if insertion does not occur easily.

⚠ **CAUTION:** Do not crush, puncture, or incinerate the battery pack. Do not open a battery pack; this damages the pack, makes it unusable, and exposes potentially harmful battery components. No field-serviceable parts are located inside the battery pack.

# maintenance & service guide

## Presario 1800/1800T Series

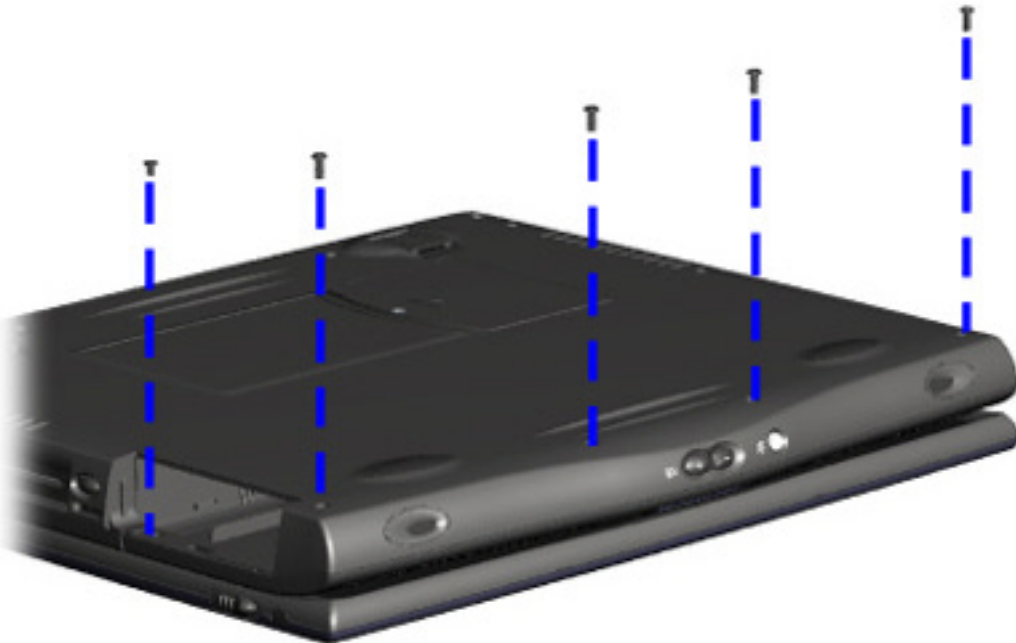
Models: XL280, XL380, XL381,  
and XL390

### Palmrest Cover with TouchPad

**Note:** It is not necessary to remove the display panel assembly to access the interior components of the Notebook.

To remove the Palmrest cover with TouchPad, complete the following steps:

1. Prepare the Notebook for disassembly ([pg 10](#)).
2. Close the display and turn the Notebook upside down.
3. Remove four screws from the bottom of the Notebook, and one from the battery compartment.



Continued on the next page.

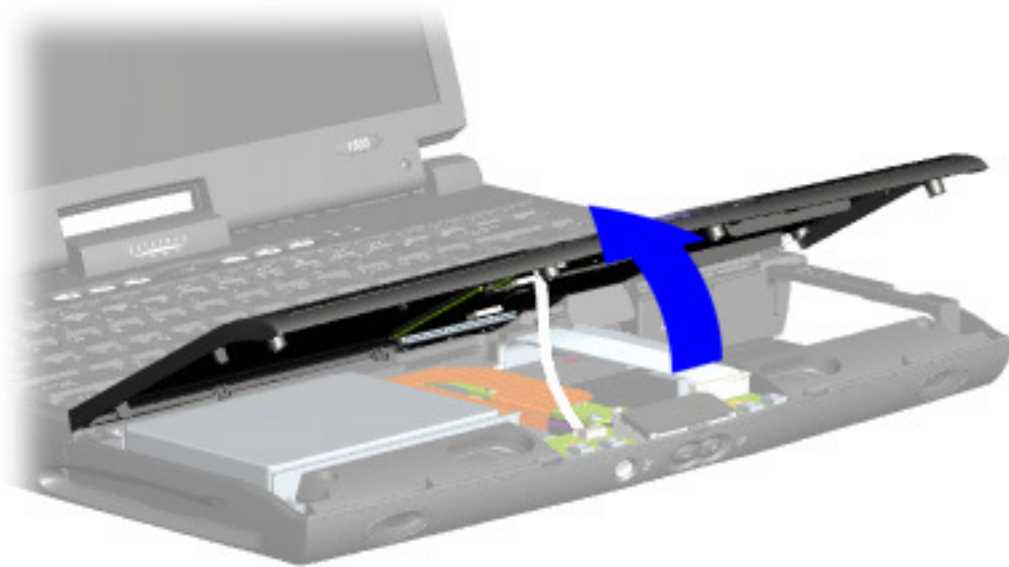
# maintenance & service guide

## Presario 1800/1800T Series

Models: XL280, XL380, XL381,  
and XL390

4. Turn the Notebook right side up and open the display.
5. Lift up the front end of the Palmrest cover.

**Note:** It may be necessary to apply pressure on the sides of the Palmrest cover to release it from the chassis.

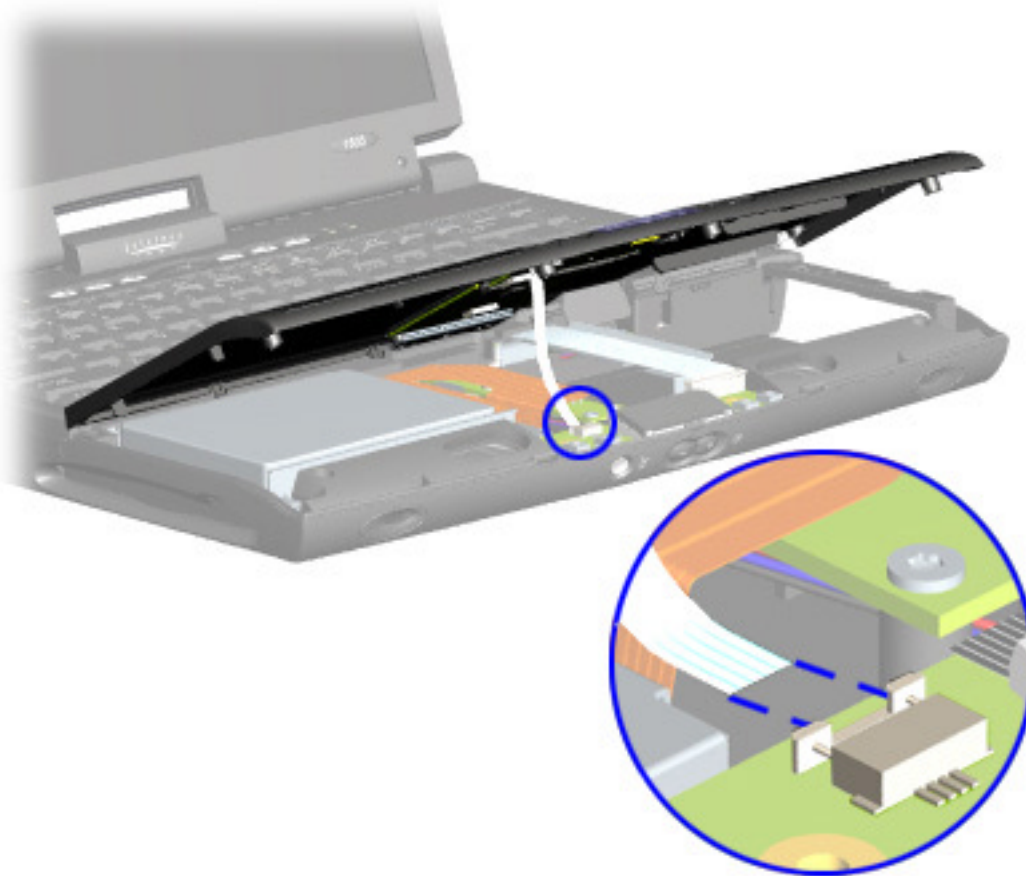


Continued on the next page.

# maintenance & service guide

**Presario 1800/1800T Series**  
**Models: XL280, XL380, XL381,**  
**and XL390**

6. Disconnect the flex cable from the [ZIF Connector](#) on the DisqPlay module.



To replace the Palmrest cover with TouchPad, reverse these procedures.



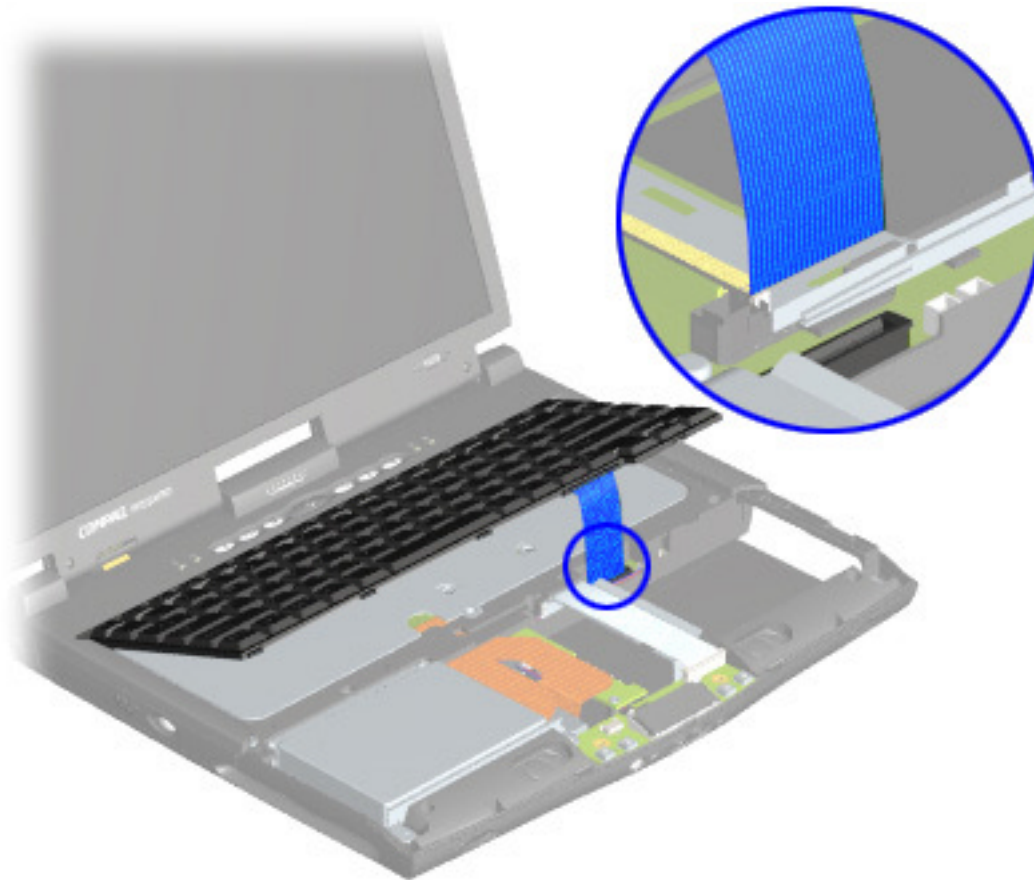
# maintenance & service guide

**Presario 1800/1800T Series**  
**Models: XL280, XL380, XL381,**  
**and XL390**

## Keyboard

To remove the keyboard, complete the following steps:

1. Prepare the Notebook for disassembly ([pg 10](#)).
2. Remove the Palmrest cover ([pg 13](#)).
3. Gently lift the front of the keyboard, disconnect the flex cable from the [ZIF Connector](#) on the system board, and remove the keyboard.



To replace the keyboard, reverse these procedures.

**Note:** When replacing the keyboard, the [Keyboard Ribbon Cable](#) should fold behind the [ZIF Connector](#) and not underneath the keyboard.

# maintenance & service guide

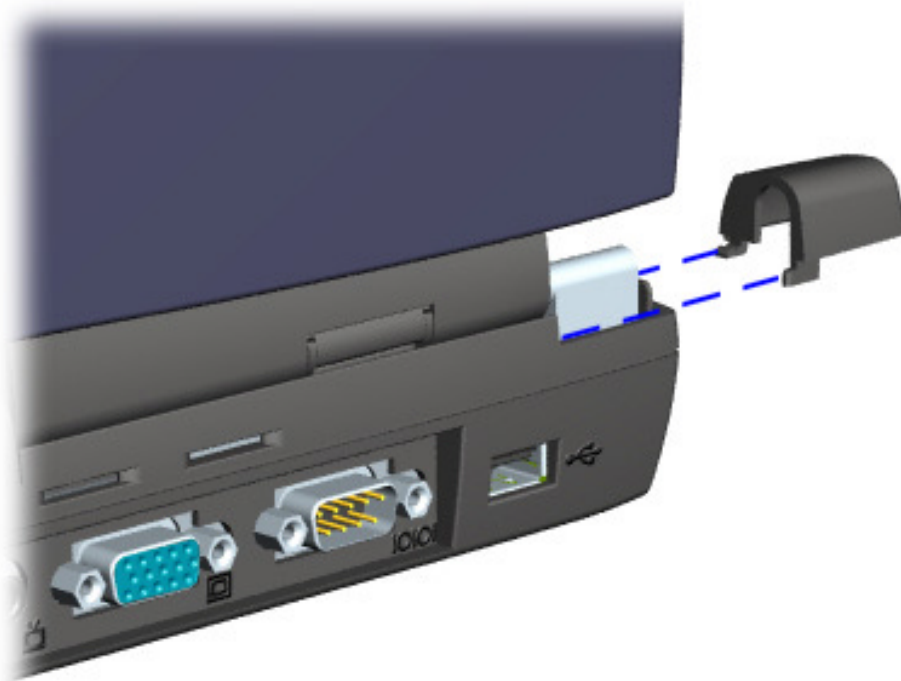
**Presario 1800/1800T Series**  
Models: XL280, XL380, XL381,  
and XL390

## Button Board Cover (Internet Zone and Status Lights)

**Note:** Illustrations may show parts removed that are not part of this procedure. It is necessary to remove only the parts listed in the written procedure.

To remove the button board cover, complete the following steps:

1. Prepare the Notebook for disassembly ([pg 10](#)).
2. Open the display and squeeze the sides of the display assembly hinge covers while sliding them off the hinges.



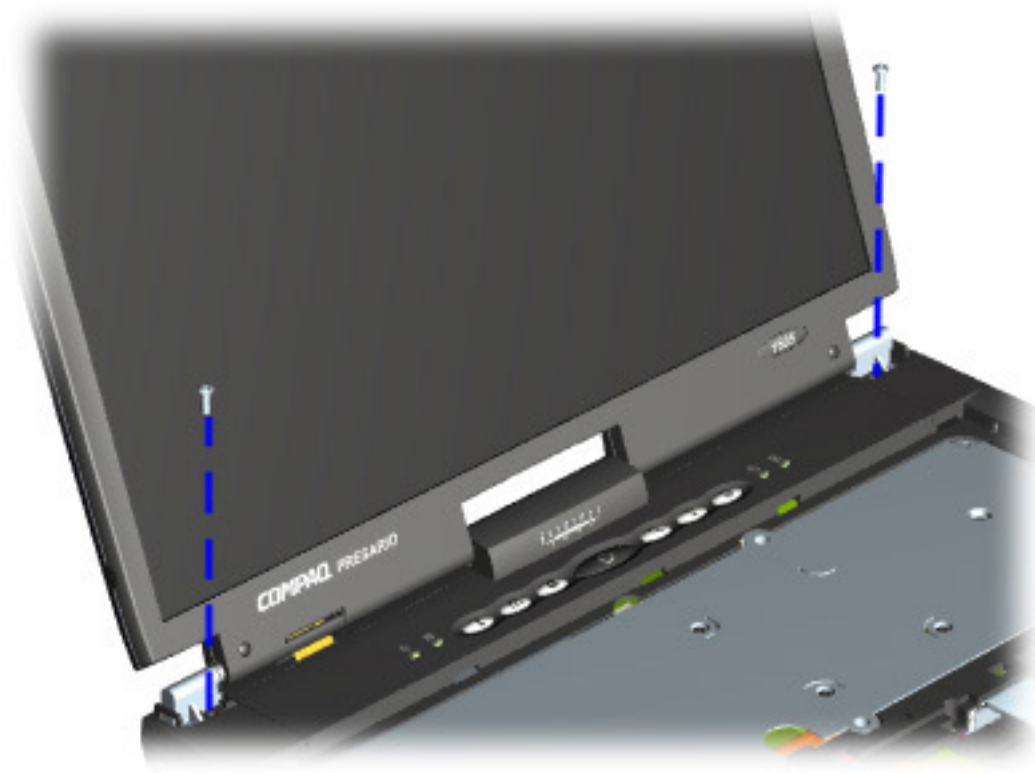
Continued on the next page.

# maintenance & service guide

## Presario 1800/1800T Series

Models: XL280, XL380, XL381,  
and XL390

3. Remove the two innermost screws from the display assembly hinges that secure the button board cover to the chassis.



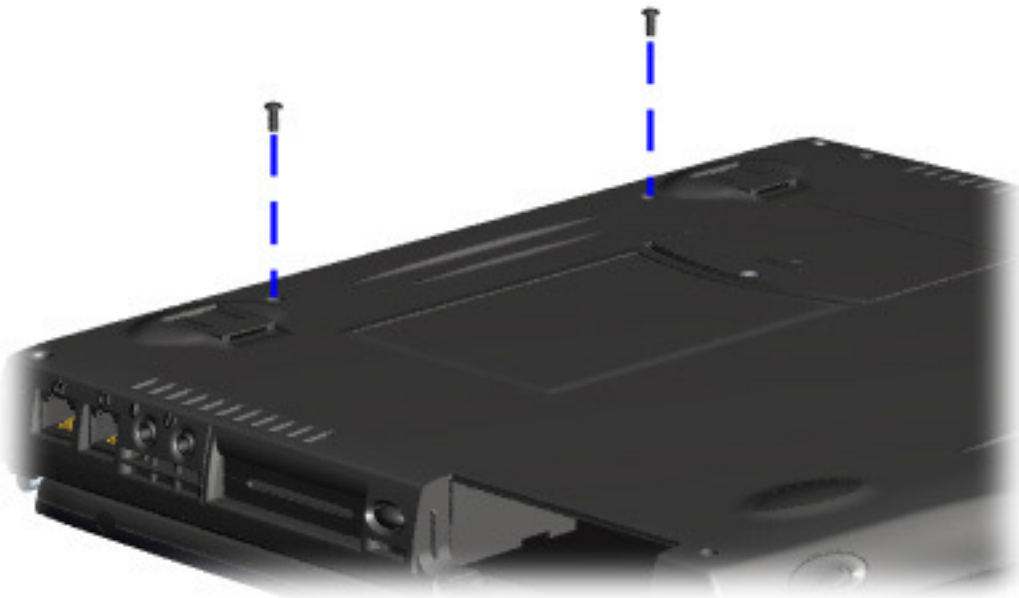
Continued on the next page.

# maintenance & service guide

## Presario 1800/1800T Series

Models: XL280, XL380, XL381,  
and XL390

4. Turn the unit upside down and remove the two screws (shown below) located near the back that secure the button board cover to the chassis.

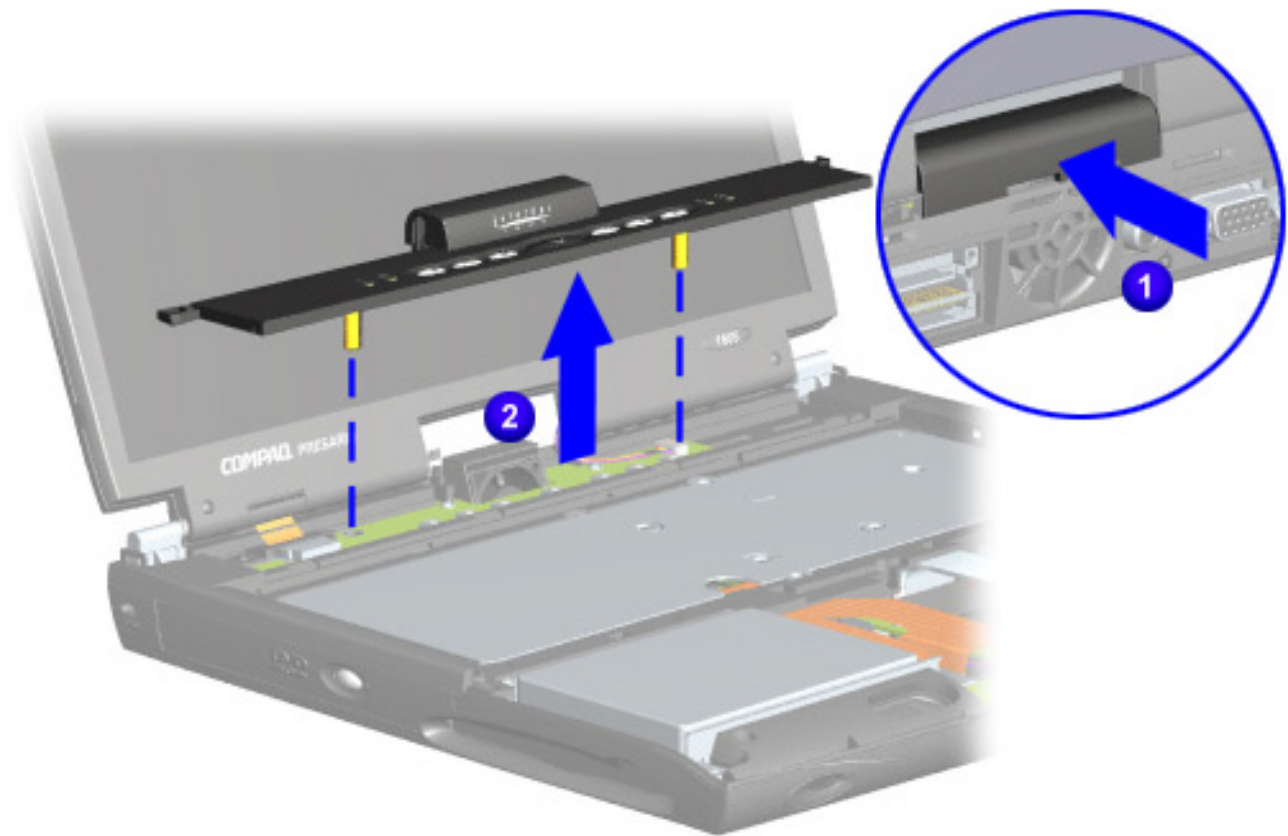


Continued on the next page.

# maintenance & service guide

**Presario 1800/1800T Series**  
**Models: XL280, XL380, XL381,**  
**and XL390**

5. Turn the unit right side up and open the display.
6. Lift up one corner of the button board cover and push forward from the back (center piece) to release the snaps **1**.
7. Lift and remove the cover from the chassis **2**.



To replace the button board cover, reverse these procedures.

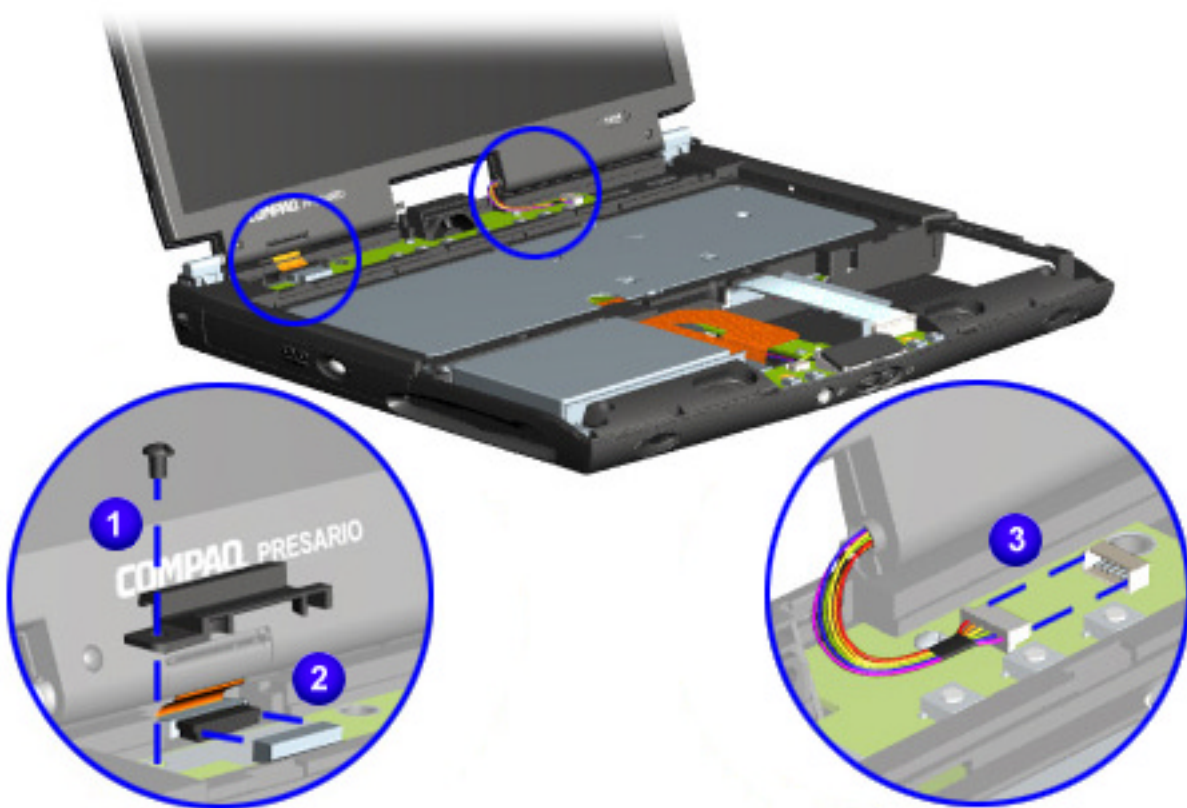
## Presario 1800/1800T Series Models: XL280, XL380, XL381, and XL390

### Internet Switch Board

**Note:** Illustrations may show parts removed that are not part of this procedure. It is necessary to remove only the parts listed in the written procedure.

To remove the Internet switch board, complete the following steps:

1. Prepare the Notebook for disassembly ([pg 10](#)).
2. Remove the button board cover ([pg 17](#)).
3. Remove the screw securing the display flex cable bracket and lift off the bracket ❶.
4. Disconnect the display flex cable from the connector on the system board ❷.
5. Disconnect the backlight cable from the connector on the Internet switch board ❸.



Continued on the next page.

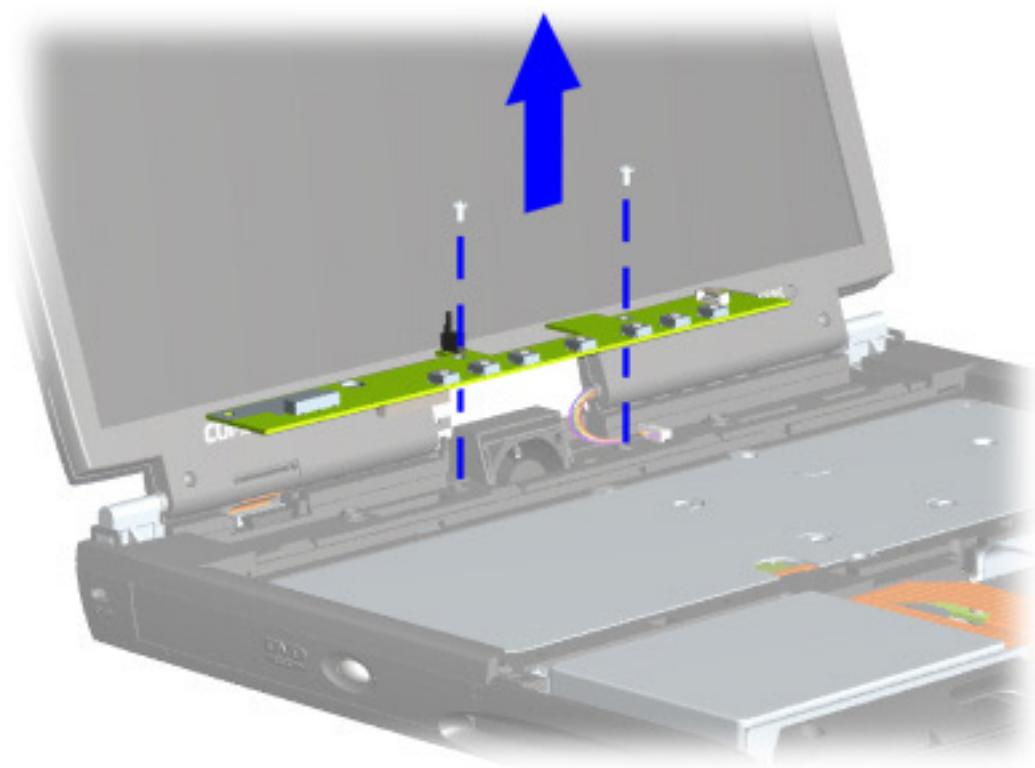
# maintenance & service guide

## Presario 1800/1800T Series

Models: XL280, XL380, XL381,  
and XL390

6. Remove the two screws securing the Internet switch board and lift it from the chassis.

**Note:** The 15-in. standard and high resolution (SXGA) display panels have unique Internet switch boards that are not interchangeable. If disassembling more than one Notebook, keep each Internet switch board with the correct Notebook.



To replace the Internet switch board, reverse these procedures.

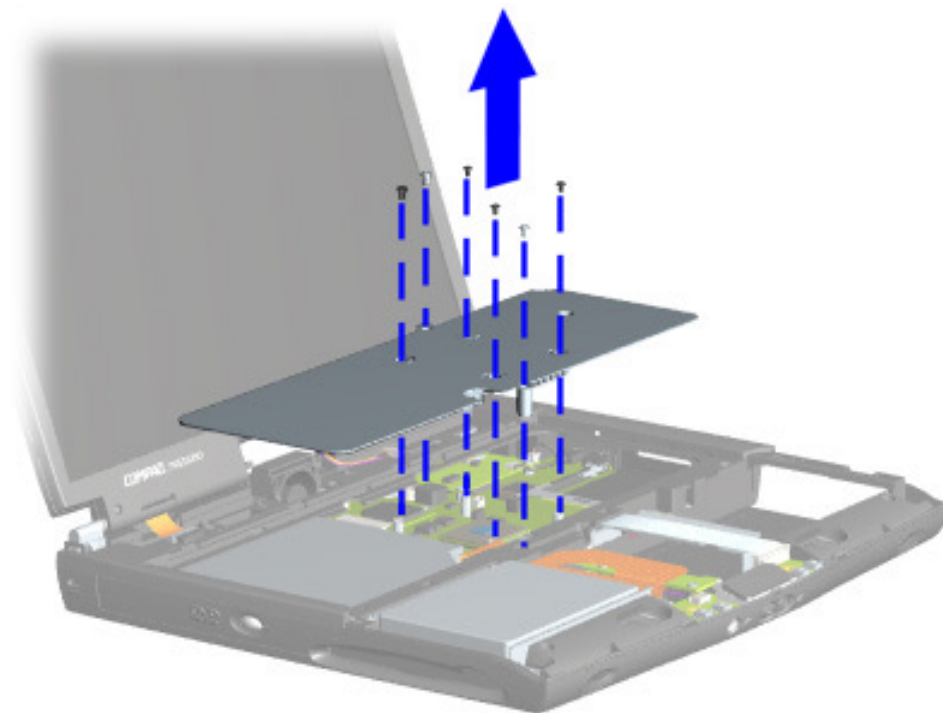


**Presario 1800/1800T Series**  
**Models: XL280, XL380, XL381,**  
**and XL390**

## Heat Sink (Heatspreader)

To remove the heat sink, complete the following steps:

1. Prepare the Notebook for disassembly ([pg 10](#)).
2. Remove the Palmrest cover with TouchPad ([pg 13](#)).
3. Remove the keyboard ([pg 16](#)).
4. Remove six screws from the heat sink and lift it out of the chassis.



To replace the heat sink, reverse these procedures.

**CAUTION:** To prevent damage, do not use excessive pressure when replacing screws.

**Note:** If the thermal pads on the heat sink are missing or damaged, install a new heat sink.

**Important:** Before installing the new heat sink, remove the plastic covering from the thermal pads.



# maintenance & service guide

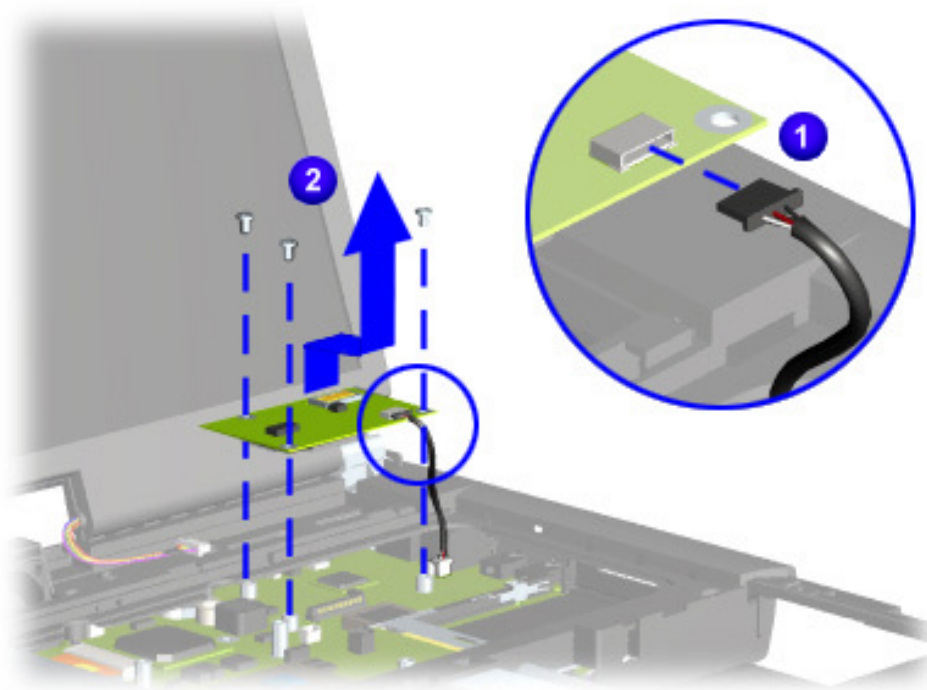
**Presario 1800/1800T Series**  
Models: XL280, XL380, XL381,  
and XL390

## Modem

To remove the modem, complete the following steps:

1. Prepare the Notebook for disassembly ([pg 10](#)).
2. Remove the Palmrest cover with TouchPad ([pg 13](#)).
3. Remove the keyboard ([pg 16](#)).
4. Remove the button board cover ([pg 17](#)).
5. Remove the heat sink ([pg 23](#)).
6. Disconnect the modem cable from the connector on the modem board ❶.
7. Remove the three screws from the modem board and remove the modem by lifting the front edge, sliding it towards you, and then lifting the modem off the system board ❷.

**Note:** The CPU cover prevents lifting the modem straight up from the system board.



To replace the modem board, reverse these procedures.

# maintenance & service guide

**Presario 1800/1800T Series**  
**Models: XL280, XL380, XL381,**  
**and XL390**

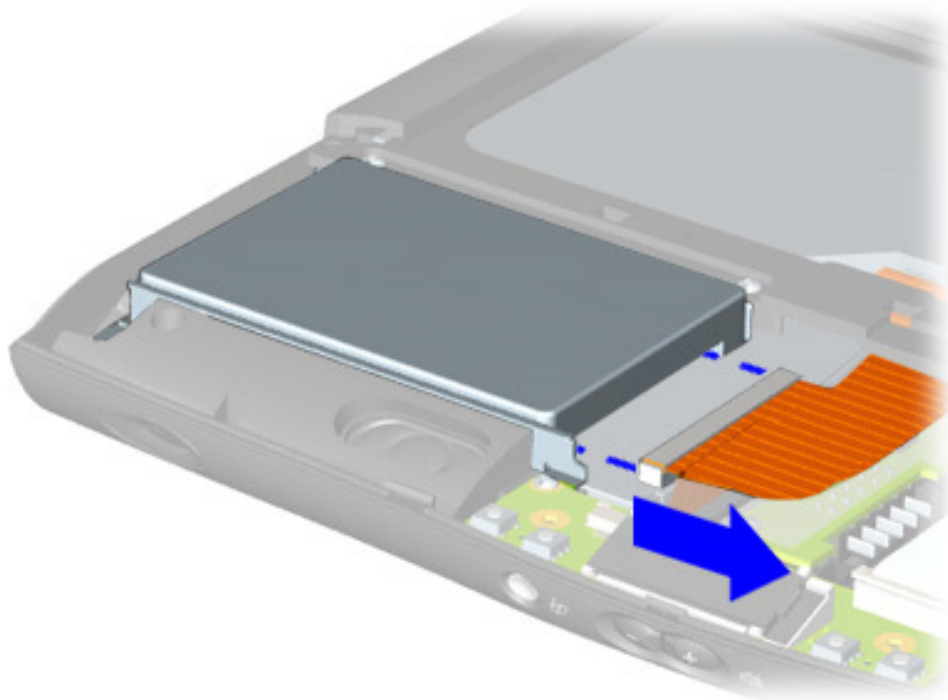
## Hard Drive

**Note:** Illustrations may show parts removed that are not part of this procedure. It is necessary to remove only the parts listed in the written procedure.

To remove the hard drive, complete the following steps:

1. Prepare the Notebook for disassembly ([pg 10](#)).
2. Remove the Palmrest cover with TouchPad ([pg 13](#)).
3. Disconnect the [hard drive data cable](#).

**Note:** Do not pull on the ribbon cable. Remove the cable from the back of the hard drive using the plastic connector attached to the cable.

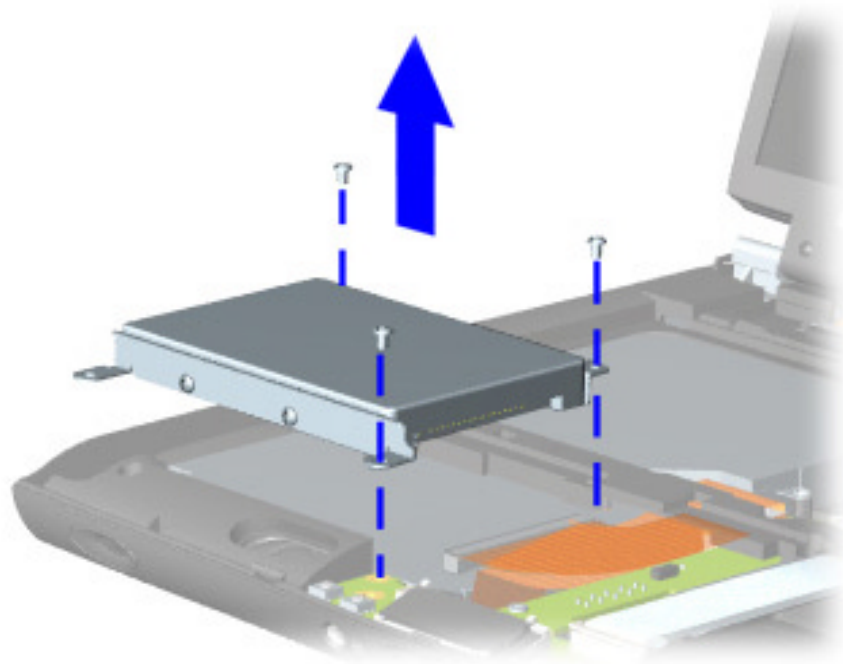



Continued on the next page.

# maintenance & service guide

**Presario 1800/1800T Series**  
**Models: XL280, XL380, XL381,**  
**and XL390**

4. Remove three screws from the hard drive mounting bracket.
5. Lift out the hard drive with drive mounting brackets attached.



 **CAUTION:** The hard drive unit is susceptible to shock and must not be dropped or allowed to experience any rough treatment. Handle the hard drive with extreme care.

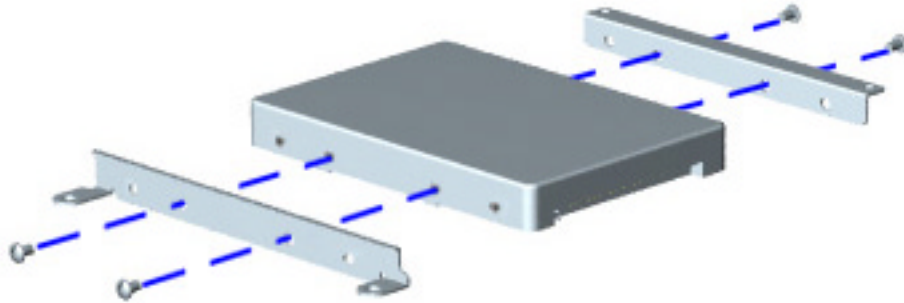
Continued on the next page.

# maintenance & service guide

## Presario 1800/1800T Series

Models: XL280, XL380, XL381,  
and XL390

6. To remove the hard drive mounting brackets, remove the two screws from each of side of the hard drive.



To replace the hard drive and mounting brackets, reverse these procedures.

# maintenance & service guide

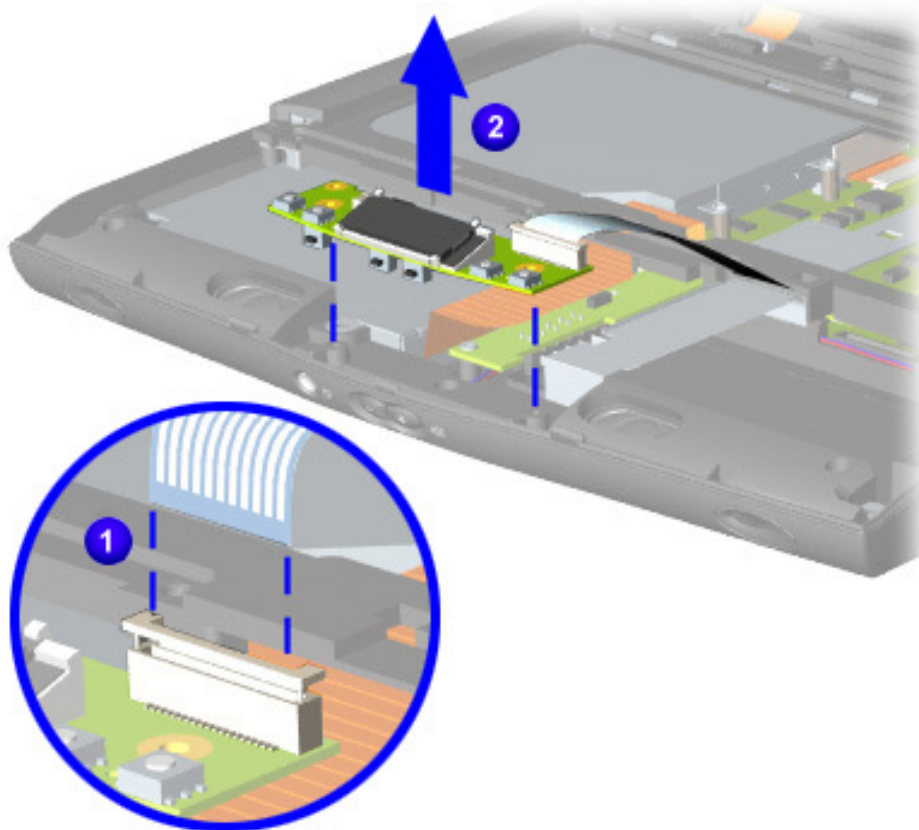
**Presario 1800/1800T Series**  
Models: XL280, XL380, XL381,  
and XL390

## LCD DisqPlay Module

**Note:** Illustrations may show parts removed that are not part of this procedure. It is necessary to remove only the parts listed in the written procedure.

To remove the LCD DisqPlay Module, complete the following steps:

1. Prepare the Notebook for disassembly ([pg 10](#)).
2. Remove the Palmrest cover with TouchPad ([pg 13](#)).
3. Remove the hard drive ([pg 25](#)).
4. Disconnect the flex cable from the DisqPlay module ❶.
5. Lift and remove the DisqPlay module from the chassis ❷.



To replace the LCD DisqPlay module, reverse these procedures.

# maintenance & service guide

## Presario 1800/1800T Series Models: XL280, XL380, XL381, and XL390

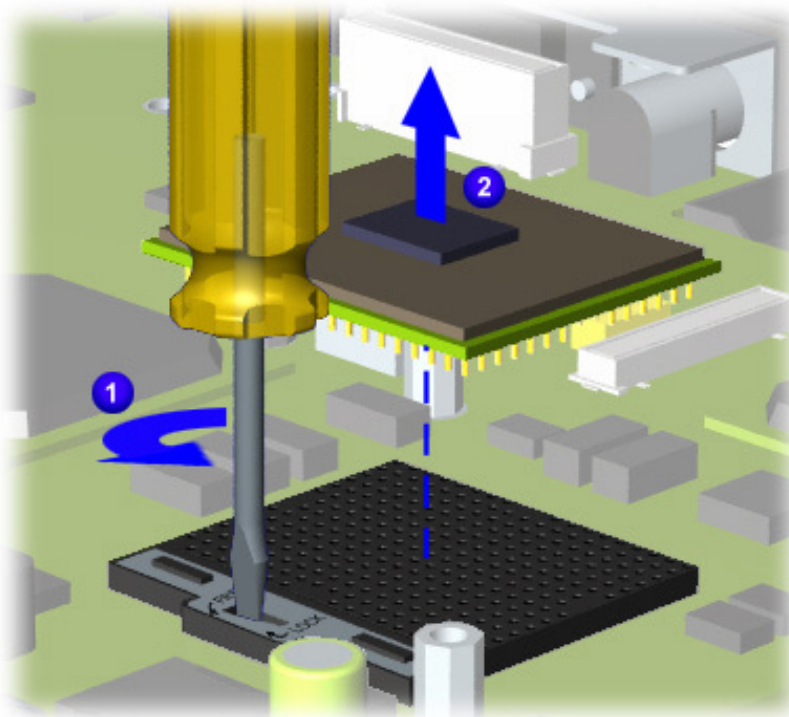
### Processor

To remove the processor, complete the following steps:

1. Prepare the Notebook for disassembly ([pg 10](#)).
2. Remove the Palmrest cover with TouchPad ([pg 13](#)).
3. Remove the keyboard ([pg 16](#)).
4. Remove the heat sink ([pg 23](#)).

**Note:** These Notebooks are equipped with one of two different types of processors. Match the processor in the unit with the correct procedure before attempting to remove it.

5. If the processor matches the image below, complete step **a**. However, if the processor matches the image shown on the next page, skip to step **b**.
  - a. Place tip of standard screwdriver in center slot, twist screwdriver toward "Free" until it snaps ❶, and lift processor from the chassis ❷.



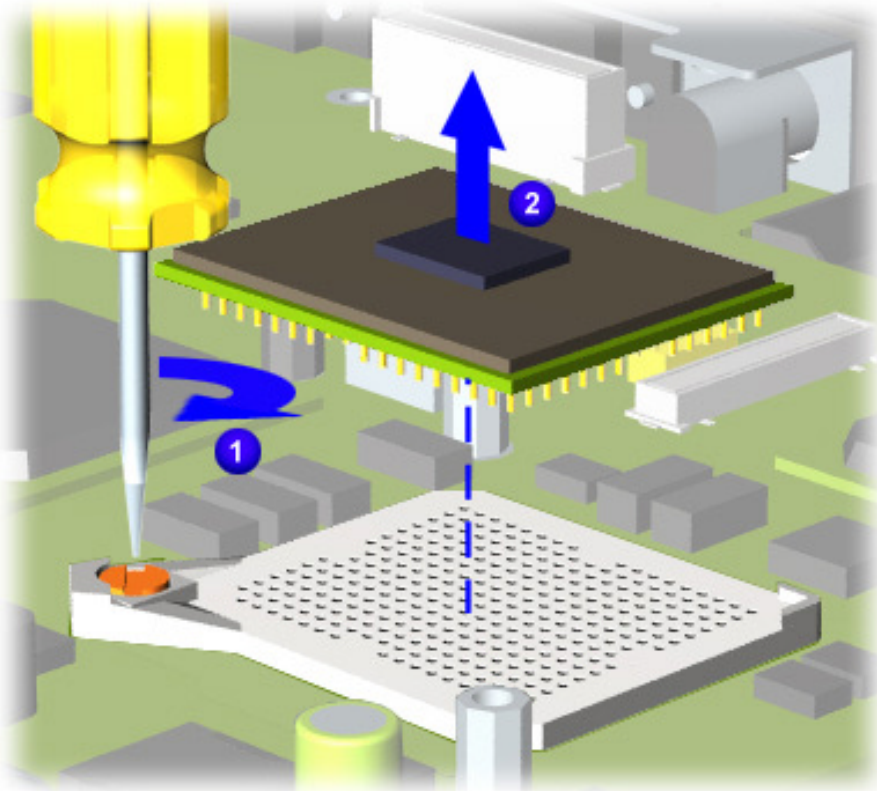
Continued on the next page.

# maintenance & service guide

## Presario 1800/1800T Series

Models: XL280, XL380, XL381,  
and XL390

- b. With standard screwdriver, turn screw counter-clockwise toward "0" ① and lift processor from the chassis ②.



To replace the processor, complete the following steps:

1. Fully align the processor pins with the socket holes on the connector.
2. Press down carefully on the processor directly over the connector to seat the it.
3. Once the processor is in place, reassemble the remaining subassemblies by reversing their removal procedures.



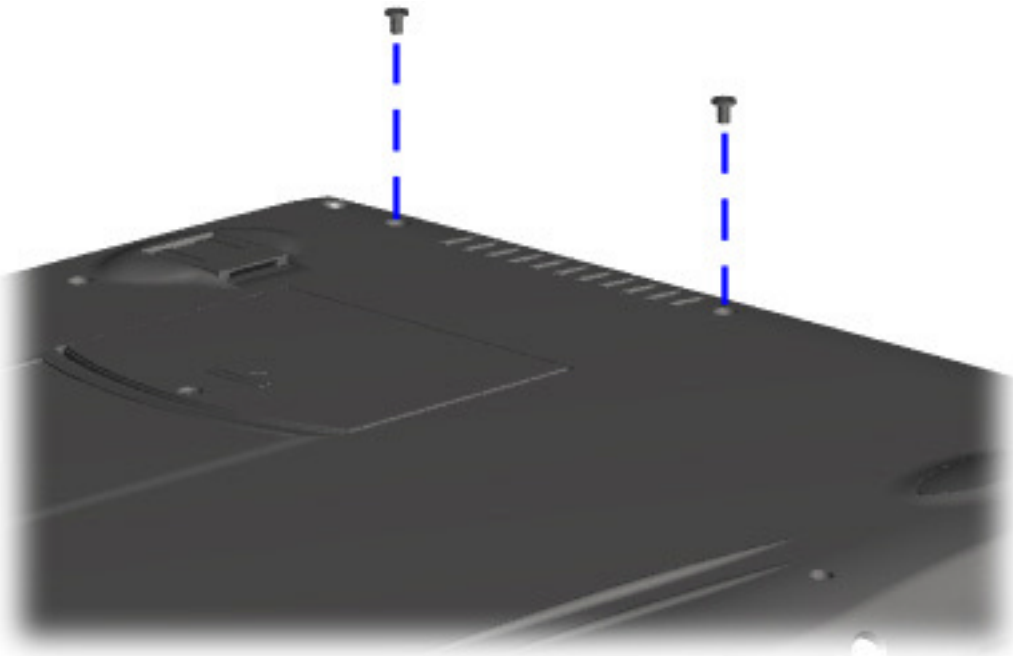
# maintenance & service guide

**Presario 1800/1800T Series**  
**Models: XL280, XL380, XL381,**  
**and XL390**

## CD, CD-RW, or DVD Drive

To remove the CD, CD-RW, or DVD Drive, complete the following steps:

1. Prepare the Notebook for disassembly ([pg 10](#)).
2. Remove the Palmrest cover with TouchPad ([pg 13](#)).
3. Remove the keyboard ([pg 16](#)).
4. Remove the heat sink ([pg 23](#)).
5. Turn the unit upside down and remove the two screws that secure the CD/DVD drive to the chassis.



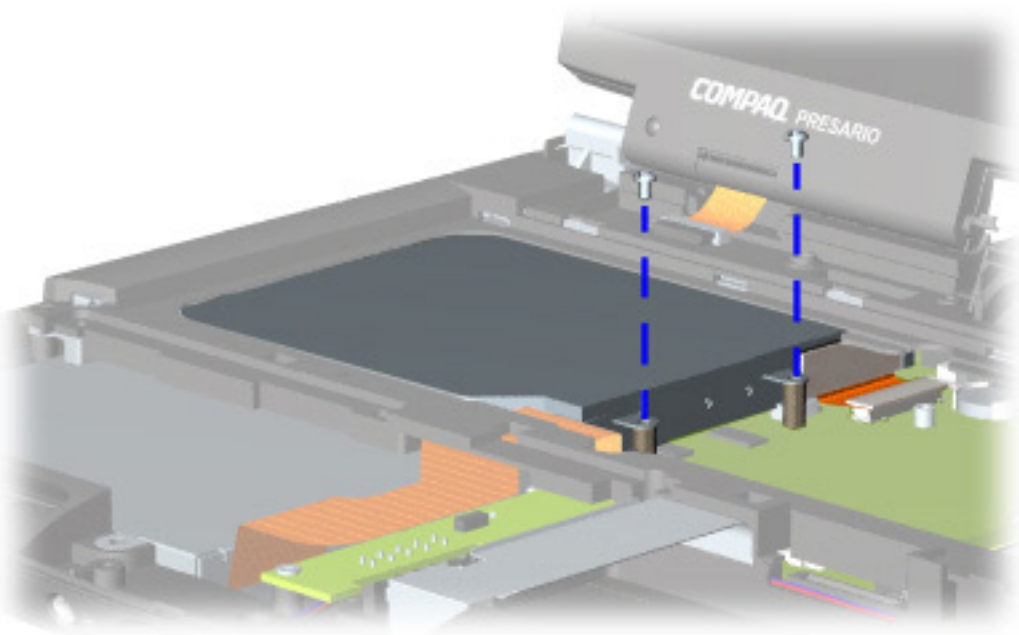
Continued on the next page.



# maintenance & service guide

**Presario 1800/1800T Series**  
**Models: XL280, XL380, XL381,**  
**and XL390**

6. Turn the unit over (right side up) and open the display.
7. Remove the two screws located at the back of the CD/DVD drive.



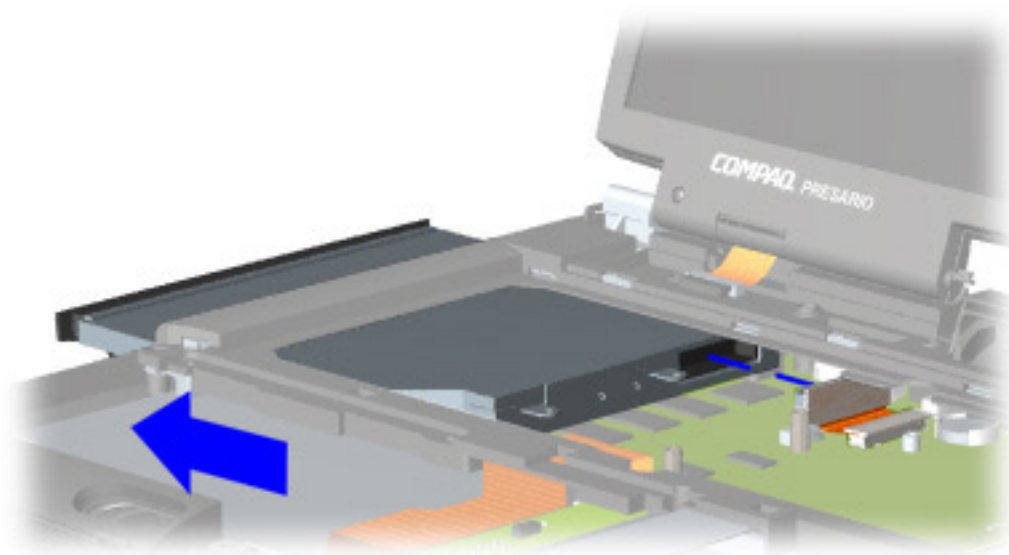
Continued on the next page.

# maintenance & service guide

## Presario 1800/1800T Series

Models: XL280, XL380, XL381,  
and XL390

8. Disconnect the CD/DVD drive cable and push forward from the back of the drive to slide it out of the chassis.



To replace the CD, CD-RW, or DVD drive, reverse these procedures.

**CAUTION:** When replacing the CD/DVD drive, ensure that the [CD/DVD Ribbon Cable](#) is placed in its proper location during the reassembly process. Improper cable placement can damage the Notebook.

# maintenance & service guide

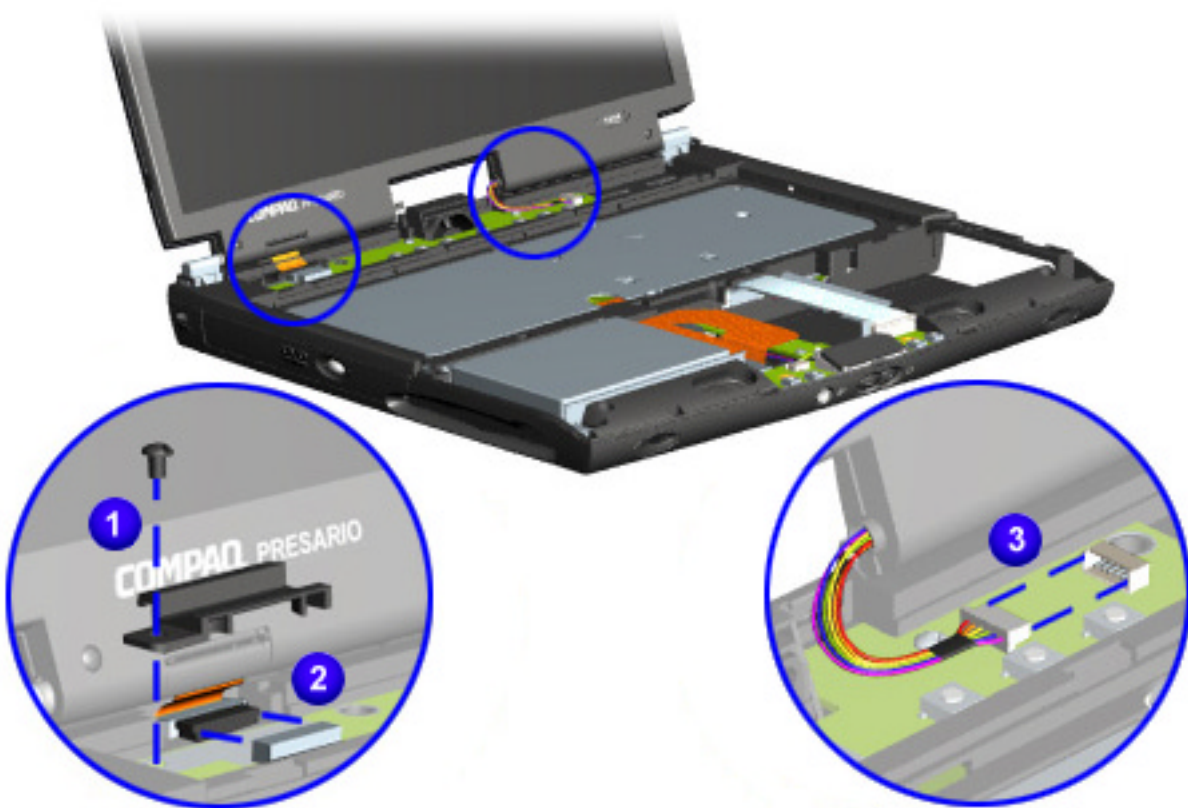
**Presario 1800/1800T Series**  
Models: XL280, XL380, XL381,  
and XL390

## Display Panel Assembly

**Note:** Illustrations may show parts removed that are not part of this procedure. It is necessary to remove only the parts listed in the written procedure.

To remove the display panel assembly, complete the following steps:

1. Prepare the Notebook for disassembly ([pg 10](#)).
2. Remove the button board cover ([pg 17](#)).
3. Remove the screw securing the display flex cable bracket and lift off the bracket ❶.
4. Disconnect the display flex cable from the connector on the system board ❷.
5. Disconnect the backlight cable from the connector on the Internet switch board ❸.

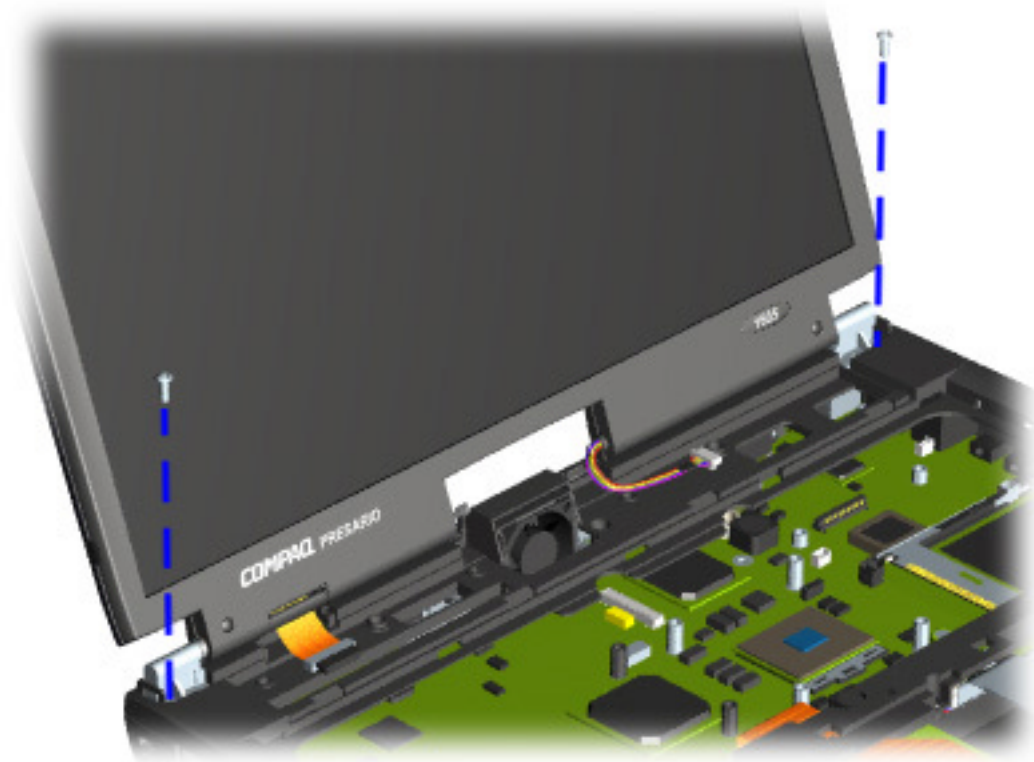


Continued on the next page.

# maintenance & service guide

**Presario 1800/1800T Series**  
Models: XL280, XL380, XL381,  
and XL390

6. Remove the two outermost screws from the display assembly hinges.



**CAUTION:** Support the display while removing the screws to prevent dropping and damaging the display.

Continued on the next page.

# maintenance & service guide

**Presario 1800/1800T Series**  
**Models: XL280, XL380, XL381,**  
**and XL390**

7. Lift the display assembly off the hinges.



To replace the display panel assembly, reverse these procedures.

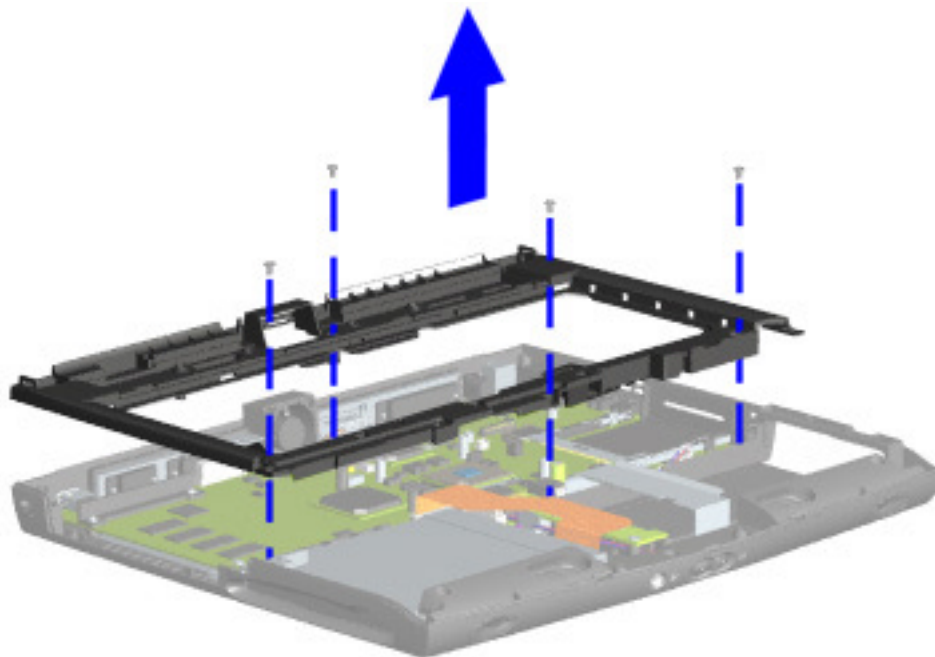
# maintenance & service guide

**Presario 1800/1800T Series**  
Models: XL280, XL380, XL381,  
and XL390

## Upper CPU Cover

To remove the upper CPU cover, complete the following steps:

1. Prepare the Notebook for disassembly ([pg 10](#)).
2. Remove the Palmrest cover with TouchPad ([pg 13](#)).
3. Remove the keyboard ([pg 16](#)).
4. Remove the heat sink ([pg 23](#)).
5. Remove the button board cover ([pg 17](#)).
6. Remove the Internet switch board ([pg 21](#)).
7. Remove the hard drive ([pg 25](#)).
8. Remove the display panel assembly ([pg 34](#)).
9. Remove the four screws (shown) located on the top of the upper CPU cover and lift the cover off the chassis.



To replace the upper CPU cover, reverse these procedures.

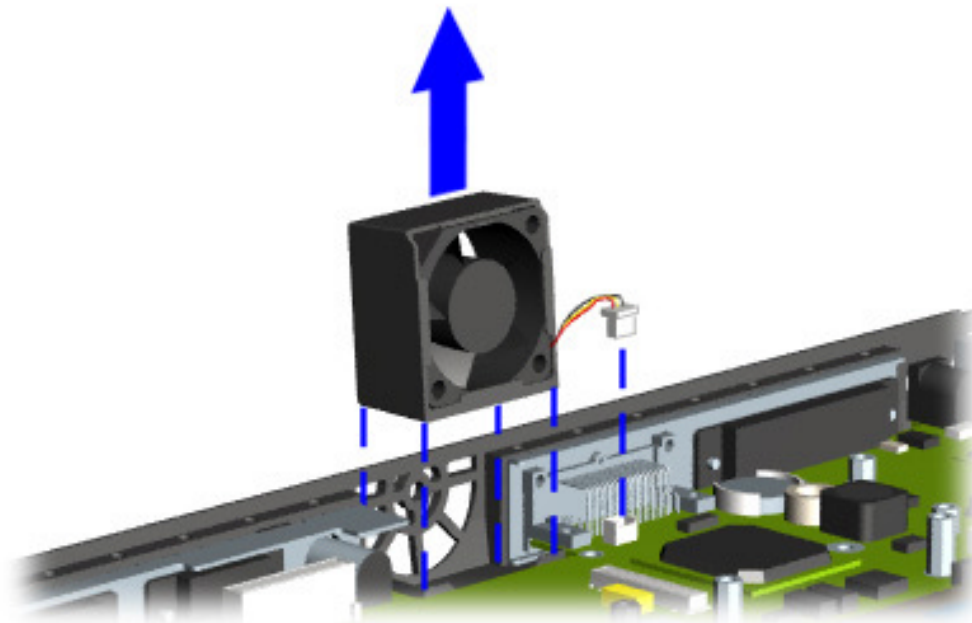
# maintenance & service guide

**Presario 1800/1800T Series**  
**Models: XL280, XL380, XL381,**  
**and XL390**

## Fan Assembly

To remove the fan assembly, complete the following steps:

1. Prepare the Notebook for disassembly ([pg 10](#)).
2. Remove the Palmrest cover with TouchPad ([pg 13](#)).
3. Remove the keyboard ([pg 16](#)).
4. Remove the heat sink ([pg 23](#)).
5. Remove the button board cover ([pg 17](#)).
6. Remove the Internet switch board ([pg 21](#)).
7. Remove the display panel assembly ([pg 34](#)).
8. Remove the hard drive ([pg 25](#)).
9. Remove the upper CPU cover ([pg 37](#)).
10. Lift the fan assembly from the chassis slot, and disconnect the fan cable from the connector on the system board.



Continued on the next page.

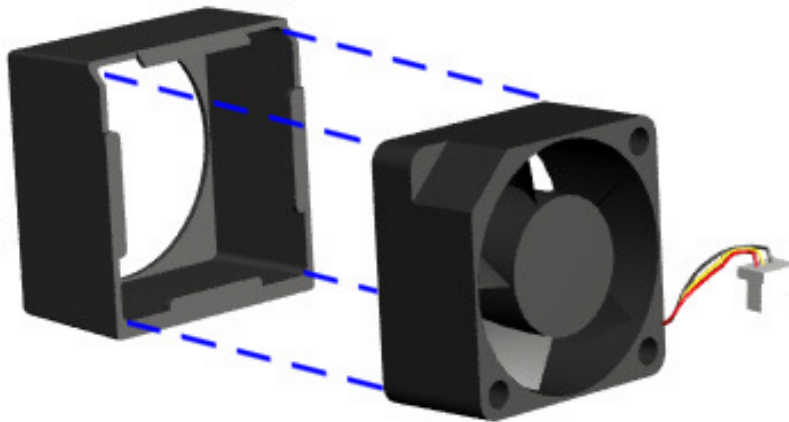


# maintenance & service guide

## Presario 1800/1800T Series

Models: XL280, XL380, XL381,  
and XL390

To remove the fan gasket, pull the gasket from the exterior of the fan.



To replace the fan assembly and gasket, reverse these procedures.


**Important:** When replacing the fan assembly, be sure that the side with the manufacturer's label is facing toward the interior of the Notebook (the fan blades should be seen from the exterior and air should blow into the Notebook).



# maintenance & service guide

**Presario 1800/1800T Series**  
**Models: XL280, XL380, XL381,**  
**and XL390**

## Real Time Clock (RTC) Battery

 **CAUTION:** Removing the RTC battery clears the power-on password and removes all setup attributes that are programmed in the CMOS.

To remove the RTC battery, complete the following steps:

1. Prepare the Notebook for disassembly ([pg 10](#)).
2. Remove the Palmrest cover with TouchPad ([pg 13](#)).
3. Remove the keyboard ([pg 16](#)).
4. Remove the heat sink ([pg 23](#)).
5. Remove the button board cover ([pg 17](#)).
6. Remove the Internet switch board ([pg 21](#)).
7. Remove the display panel assembly ([pg 34](#)).
8. Remove the hard drive ([pg 25](#)).
9. Remove the upper CPU cover ([pg 37](#)).

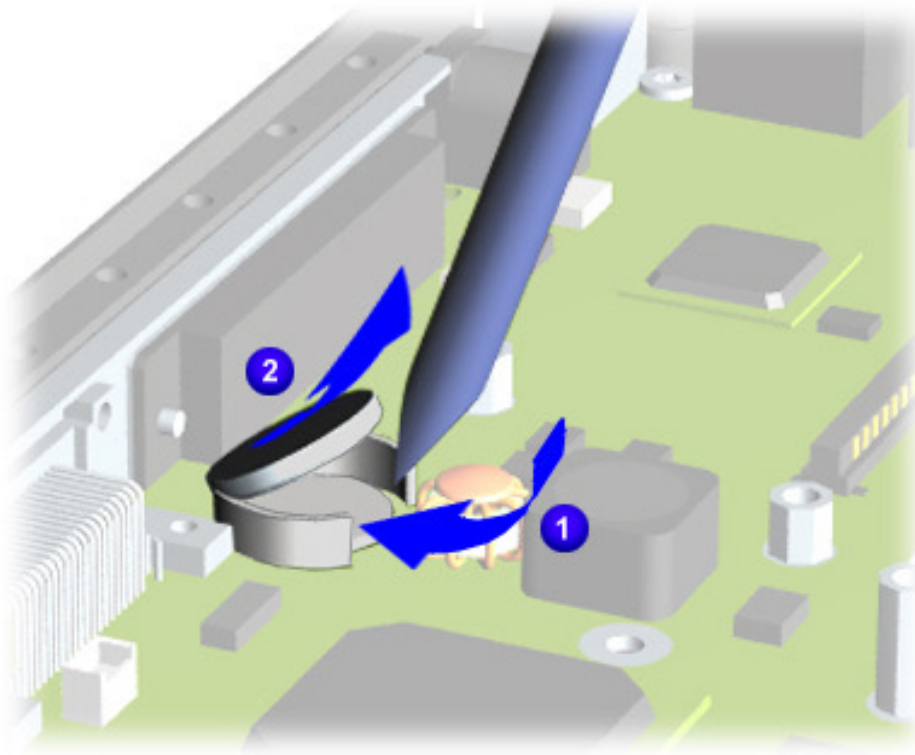
Continued on the next page.

# maintenance & service guide

## Presario 1800/1800T Series

Models: XL280, XL380, XL381,  
and XL390

10. Locate the RTC battery on the system board to the right of the CD/DVD drive near the rear edge of the chassis.
11. Using your fingers or a *non-metallic* object, gently pry up the RTC battery ① and lift it out of the battery socket ②.



**Note:** If you are clearing the CMOS attributes, keep the battery out for at least 10 seconds before replacing it.

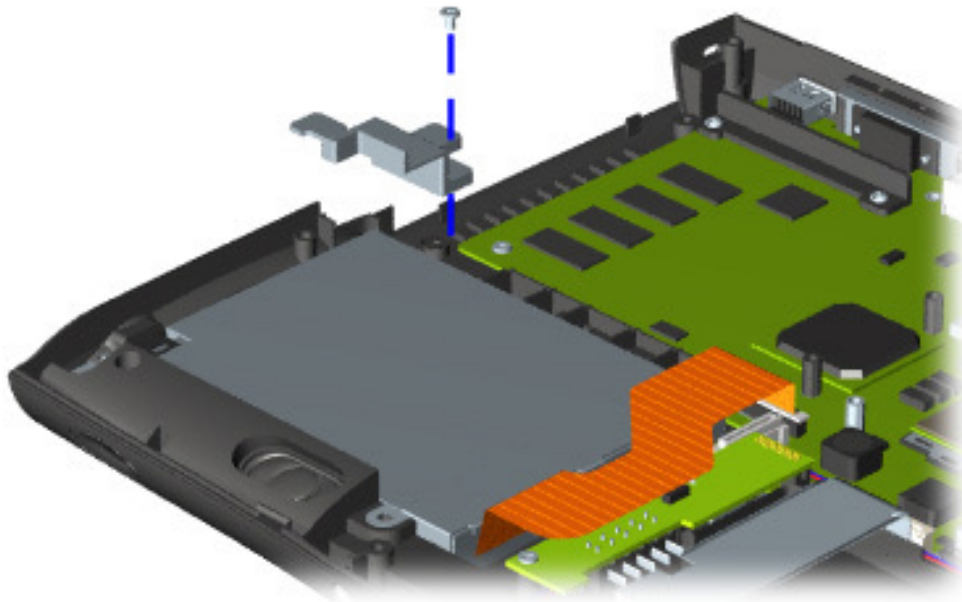
To replace the RTC battery, press the battery firmly into the socket, and reassemble the remaining components by reversing their removal procedures.

**Presario 1800/1800T Series**  
**Models: XL280, XL380, XL381,**  
**and XL390**

## Diskette Drive

To remove the diskette drive, complete the following steps:

1. Prepare the Notebook for disassembly ([pg 10](#)).
2. Remove the Palmrest cover with TouchPad ([pg 13](#)).
3. Remove the keyboard ([pg 16](#)).
4. Remove the heat sink ([pg 23](#)).
5. Remove the CD, CD-RW or DVD Drive ([pg 31](#)).
6. Remove the button board cover ([pg 17](#)).
7. Remove the Internet switch board ([pg 21](#)).
8. Remove the display panel assembly ([pg 34](#)).
9. Remove the hard drive ([pg 25](#)).
10. Remove the upper CPU cover ([pg 37](#)).
11. Remove screw from the diskette drive retaining bracket and lift off the bracket.



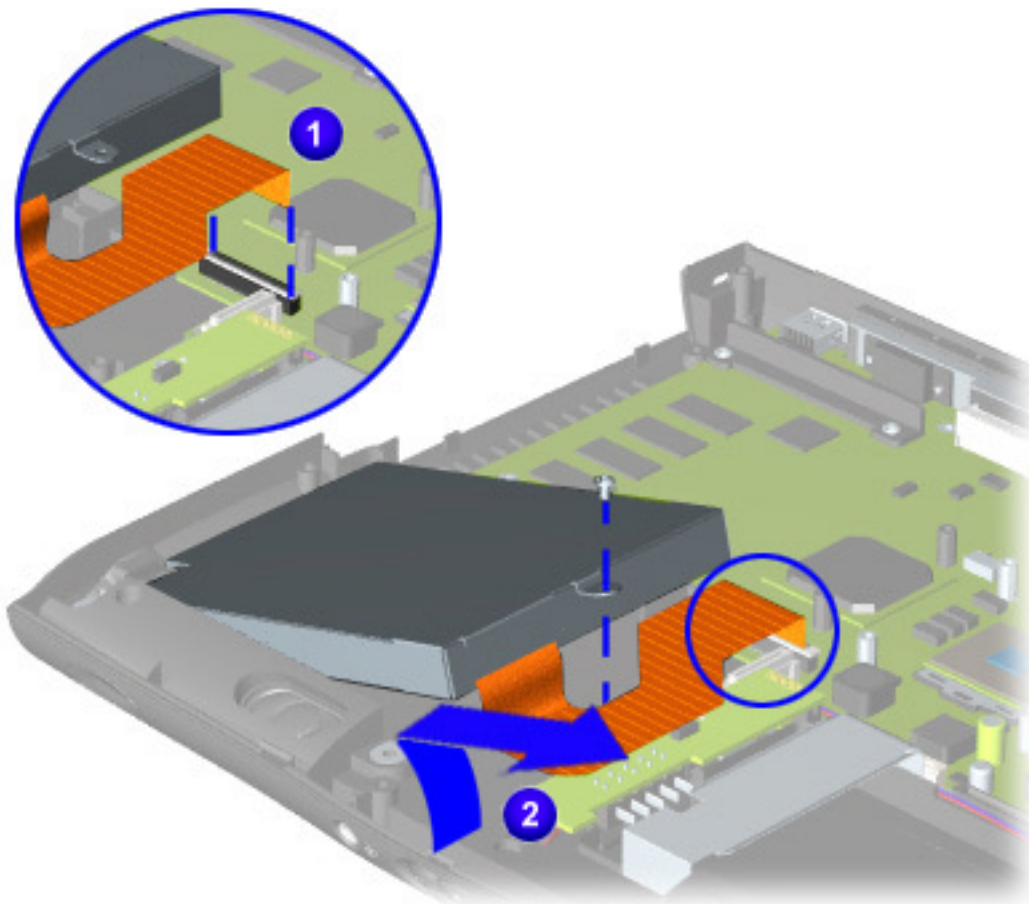
Continued on the next page.

# maintenance & service guide

## Presario 1800/1800T Series

Models: XL280, XL380, XL381,  
and XL390

12. Disconnect the [diskette drive data cable](#) from the [ZIF Connector](#) on the system board **1**.
13. Remove the screw that secures the diskette drive to the chassis, and lift the drive from the chassis **2**.



To replace the diskette drive, reverse these procedures.

**CAUTION:** When replacing the diskette drive, make sure that the [Diskette Drive Ribbon Cable](#) is placed in its proper location during the reassembly process. Improper cable placement can damage the Notebook.

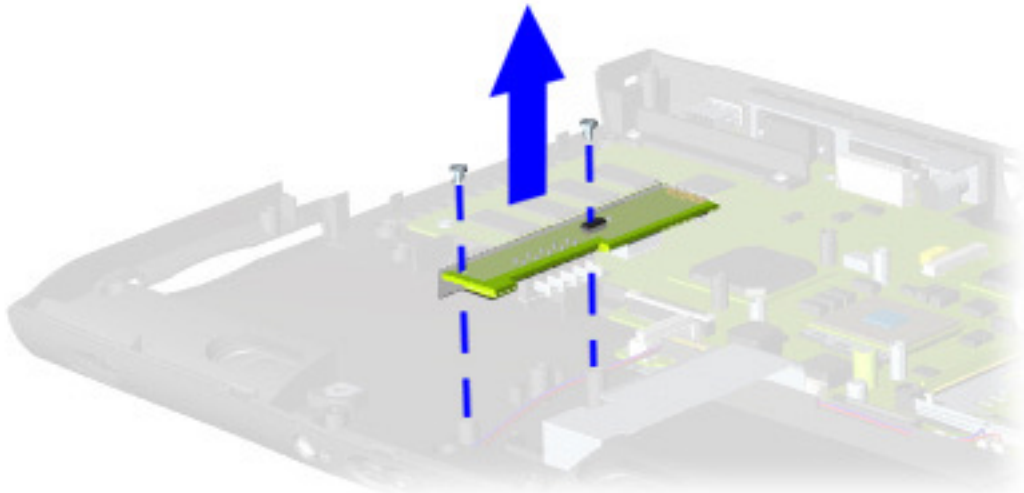
## Presario 1800/1800T Series Models: XL280, XL380, XL381, and XL390

### Voltage Converter Board

To remove the voltage converter board, complete the following steps:

1. Prepare the Notebook for disassembly ([pg 10](#)).
2. Remove the Palmrest cover with TouchPad ([pg 13](#)).
3. Remove the keyboard ([pg 16](#)).
4. Remove the heat sink ([pg 23](#)).
5. Remove the button board cover ([pg 17](#)).
6. Remove the Internet switch board ([pg 21](#)).
7. Remove the display panel assembly ([pg 34](#)).
8. Remove the hard drive ([pg 25](#)).
9. Remove the upper CPU cover ([pg 37](#)).
10. Remove the two screws (shown below) securing the voltage converter board.
11. Lift the voltage converter board off the connector on the system board.

**Note:** Retain the plastic insulator for reassembly with the replacement board.



To replace the voltage converter board, reverse these procedures.

**Note:** When replacing the voltage converter board, ensure that the pins are aligned with the connector on the system board.

# maintenance & service guide

**Presario 1800/1800T Series**  
**Models: XL280, XL380, XL381,**  
**and XL390**

## Speaker Assembly

To remove the speaker assembly, complete the following steps:

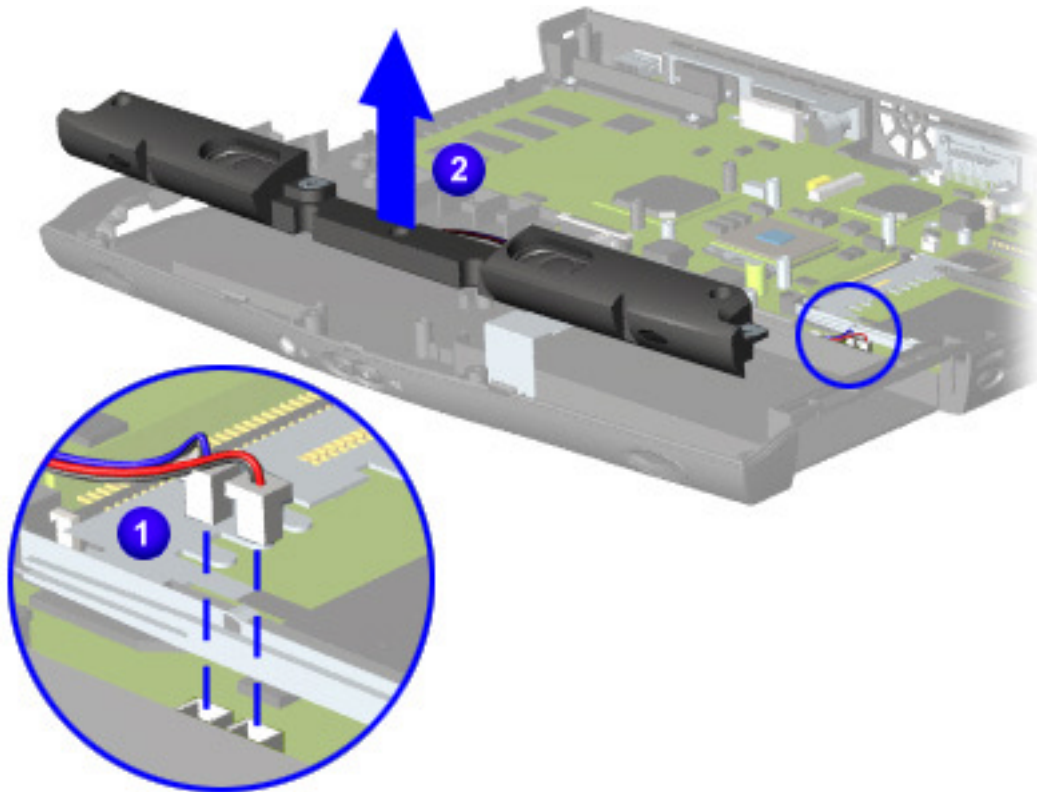
1. Prepare the Notebook for disassembly ([pg 10](#)).
2. Remove the Palmrest cover with TouchPad ([pg 13](#)).
3. Remove the keyboard ([pg 16](#)).
4. Remove the heat sink ([pg 23](#)).
5. Remove the button board cover ([pg 17](#)).
6. Remove the Internet switch board ([pg 21](#)).
7. Remove the display panel assembly ([pg 34](#)).
8. Remove the hard drive ([pg 25](#)).
9. Remove the upper CPU cover ([pg 37](#)).
10. Remove the voltage converter board ([pg 44](#)).

Continued on the next page.

# maintenance & service guide

**Presario 1800/1800T Series**  
Models: XL280, XL380, XL381,  
and XL390

11. Disconnect the speaker cables from the system board and lift the speaker assembly from the chassis.



To replace the speaker assembly, reverse these procedures.

**CAUTION:** When replacing the diskette drive, make sure that the [Speaker Assembly Cable](#) is placed in its proper location during the reassembly process. Improper cable placement can damage the Notebook.

# maintenance & service guide

**Presario 1800/1800T Series**  
**Models: XL280, XL380, XL381,**  
**and XL390**

## System Board

To remove the system board, complete the following steps:

1. Prepare the Notebook for disassembly ([pg 10](#)).
2. Remove the Palmrest cover with TouchPad ([pg 13](#)).
3. Remove the keyboard ([pg 16](#)).
4. Remove the heat sink ([pg 23](#)).
5. Remove the button board cover ([pg 17](#)).
6. Remove the Internet switch board ([pg 21](#)).
7. Remove the display panel assembly ([pg 34](#)).
8. Remove the hard drive ([pg 25](#)).
9. Remove the upper CPU cover ([pg 37](#)).
10. Disconnect the LCD Display module cable from the system board ([pg 28](#)).
11. Remove the modem ([pg 24](#)).
12. Remove the CD, CD-RW, or DVD drive ([pg 31](#)).
13. Remove the fan assembly ([pg 38](#)).
14. Disconnect the diskette drive cable from the system board ([pg 43](#)).
15. Remove the voltage converter board ([pg 44](#)).
16. Disconnect the speaker assembly cables from the system board ([pg 46](#)).

Continued on the next page.



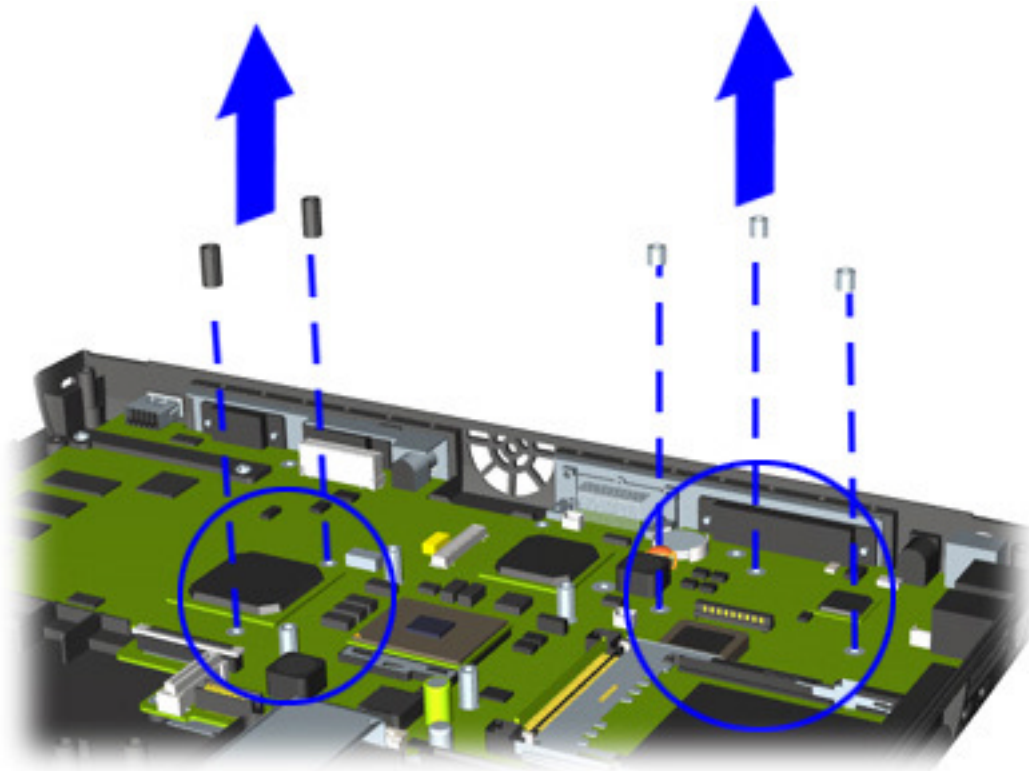
# maintenance & service guide

## Presario 1800/1800T Series

Models: XL280, XL380, XL381,  
and XL390

17. Remove five standoffs (shown below) from the system board.

**Note:** The four remaining standoffs located on the system board may be left in place.

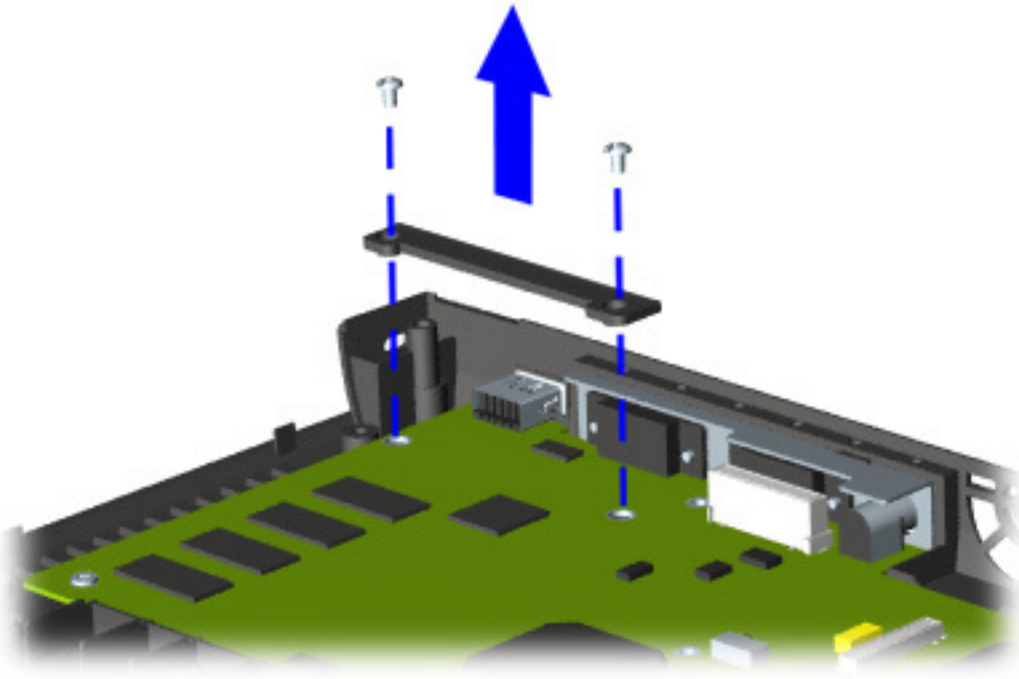


Continued on the next page.

# maintenance & service guide

**Presario 1800/1800T Series**  
Models: XL280, XL380, XL381,  
and XL390

18. Remove the two screws from the CD/DVD drive mounting rail, and lift the mounting rail from the system board.



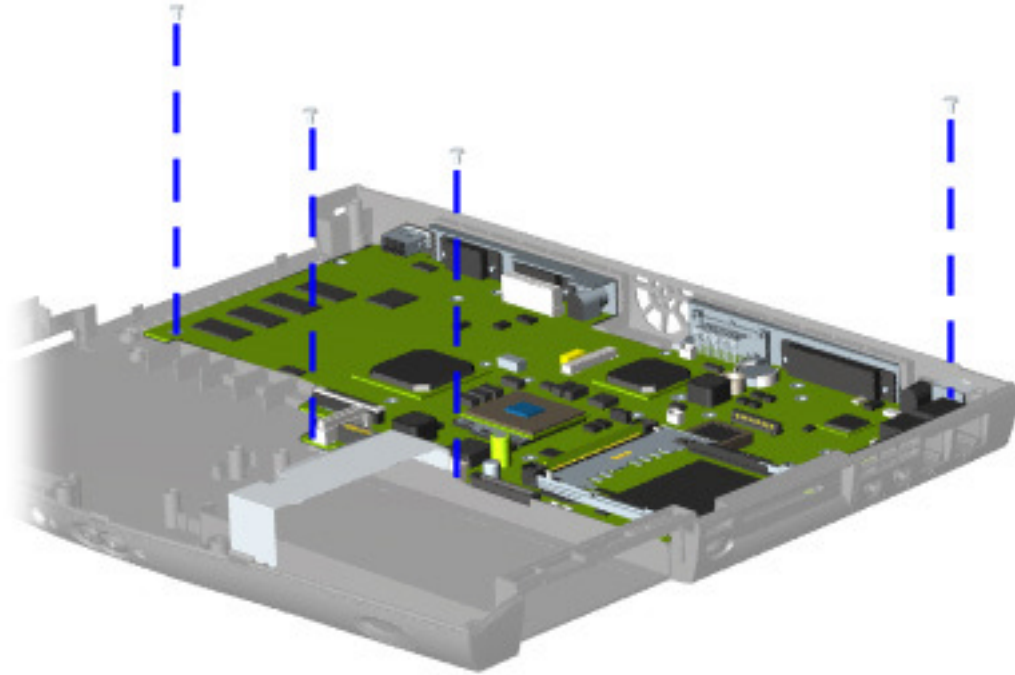
Continued on the next page.

# maintenance & service guide

## Presario 1800/1800T Series

Models: XL280, XL380, XL381,  
and XL390

19. Remove four screws (shown below) from the system board.



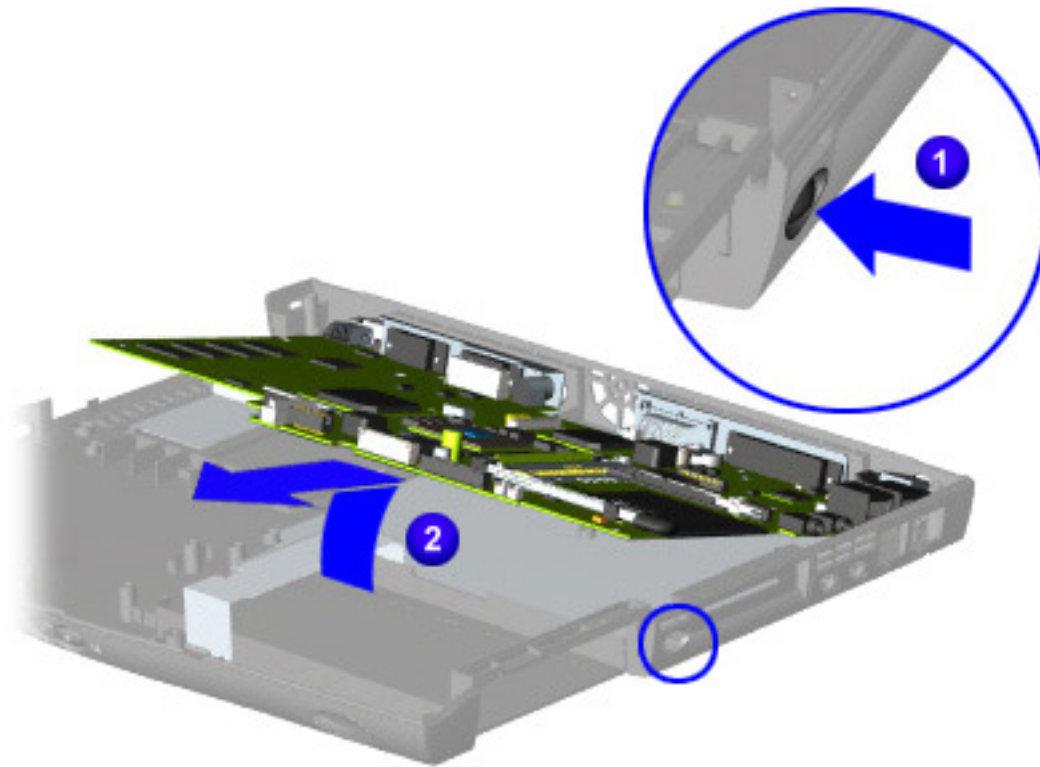
**Note:** The edges of the system board may be secured by shielded tape. This tape must be removed to free the system board.

Continued on the next page.

# maintenance & service guide

**Presario 1800/1800T Series**  
**Models: XL280, XL380, XL381,**  
**and XL390**

20. Make sure that the PC card eject button is pushed inward **1**, and then lift up the front of the system board and pull it forward to remove it from the chassis **2**.



**Important:** Before replacing the system board, remove all remaining cables.

To replace the system board, reverse these procedures.

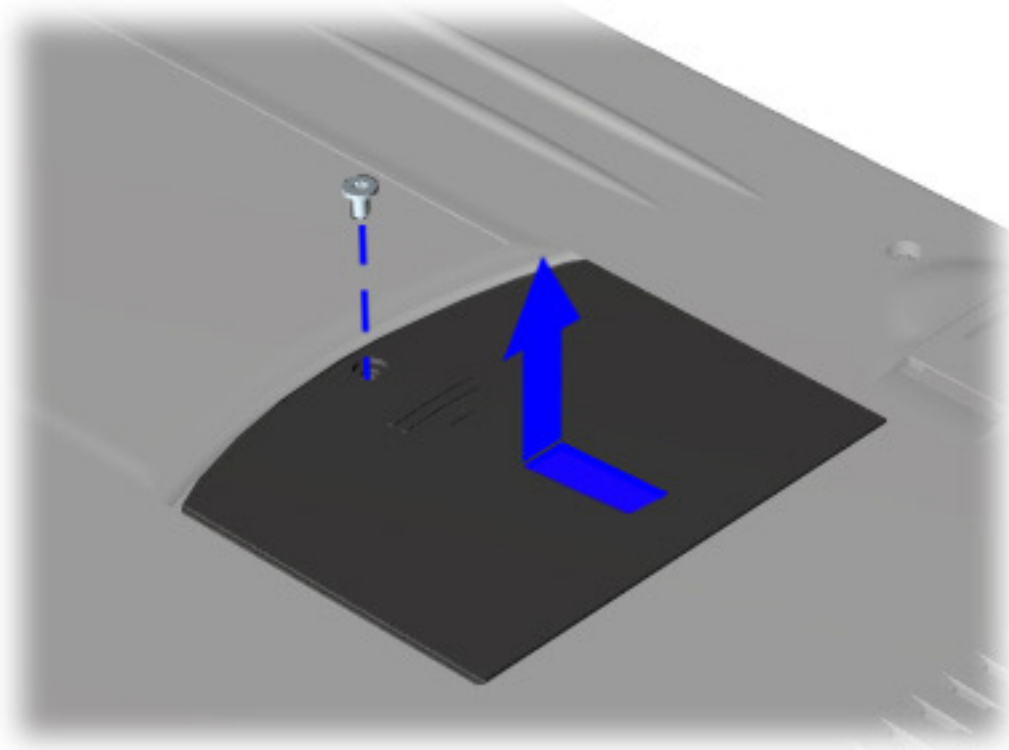
# maintenance & service guide

**Presario 1800/1800T Series**  
**Models: XL280, XL380, XL381,**  
**and XL390**

## Memory Module

To remove the memory module, complete the following steps:

1. Prepare the Notebook for disassembly ([pg 10](#)).
2. Close the display and turn the Notebook upside down.
3. Remove the screw (shown) from the memory module door.
4. With the front of the Notebook facing you, slide the memory module door to the left and lift it off.



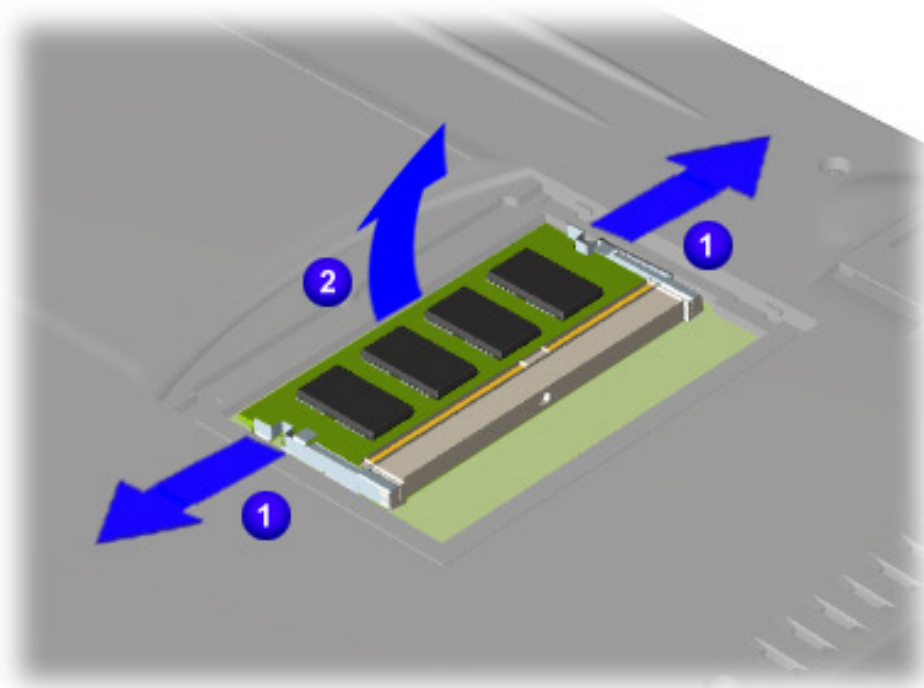
Continued on the next page.

# maintenance & service guide

## Presario 1800/1800T Series

Models: XL280, XL380, XL381,  
and XL390

5. Pull the side levers to release the memory ①, and lift the memory module from the system board ②.



To replace the memory module, reverse these procedures.