

Thank you for purchasing this Factory Service Manual CD/DVD from [servicemanuals4u.com](http://servicemanuals4u.com).

Please check out our eBay auctions for more great deals on Factory Service Manuals:

[servicemanuals4u](http://servicemanuals4u)

# maintenance & service guide

**Presario 1800/1800T Series**  
**Models: XL280, XL380, XL381,**  
**and XL390**

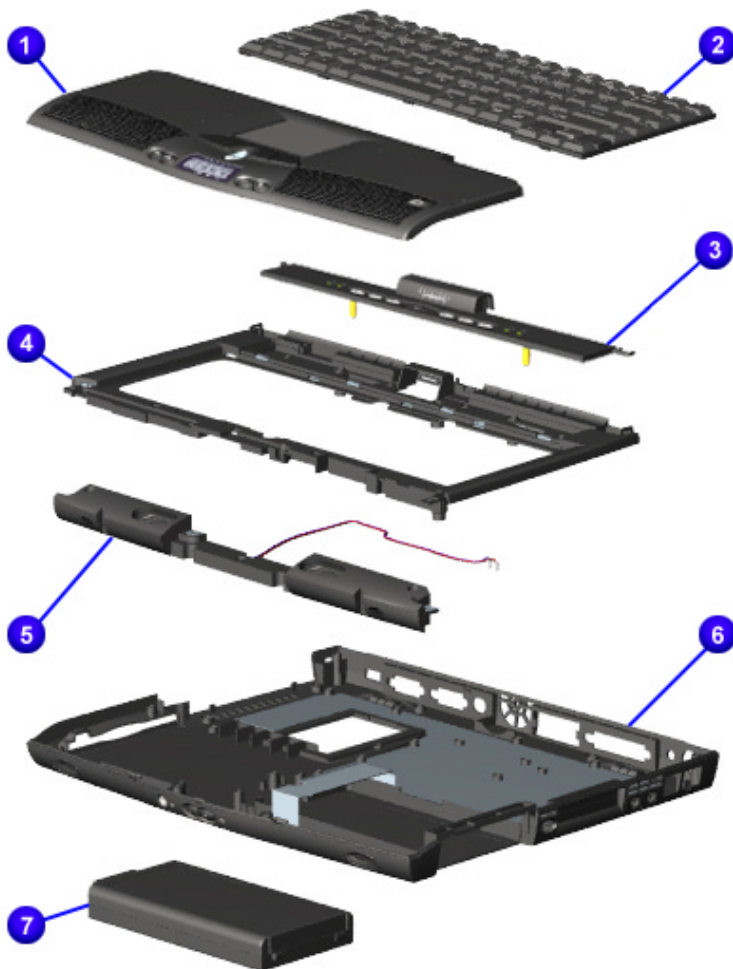
## Parts Catalog

This chapter provides illustrations of the spare parts for Compaq Presario 1800XL Series Notebooks, and identifies the spare part ordering number and availability of each item.

### Illustrated Parts

The following illustrations are typical of the spare parts provided with the Compaq Presario 1800XL Series Notebooks.

#### System Unit



#### Spare Part Items

- ❶ Palmrest Cover with TouchPad Button Board
- ❷ Keyboard
- ❸ Top CPU Cover w/Power Switch
- ❹ Button Board Cover w/Internet Buttons
- ❺ Speakers, Enclosure, and Cables
- ❻ Enclosure Base
- ❼ Li-ion Enhanced Battery Pack

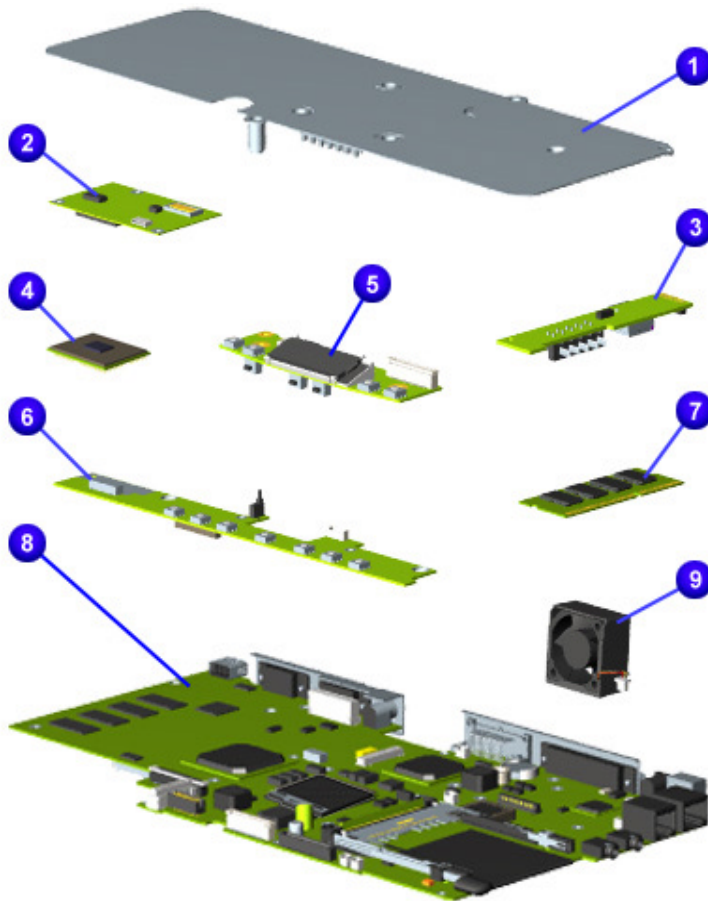
To order parts, refer to [Part Numbers & Availability](#) later in this chapter.

1.800.At.COMPAQ

## maintenance & service guide

**Presario 1800/1800T Series**  
**Models: XL280, XL380, XL381,**  
**and XL390**

### Boards



#### Spare Part Items

- |   |  |
|---|--|
| ❶ | Heat Sink  |
| ❷ | Modem (56K Data/Fax w/o SRAM)                                    |
| ❸ | Voltage Converter Board  |
| ❹ | Processor (500-850 MHz/128-256K Cache/Pentium or Celeron)        |
| ❺ | LCD Indicator (Display) Module                                   |
| ❻ | Internet Switch Board (LCD or SXGA)                              |
| ❼ | Memory Extension Card (SO DIMM)                                  |
| ❽ | System I/O Board with 64 MB SDRAM (with or without M3 Video-RAM) |
| ❾ | Fan Assembly   |

To order parts, refer to [Part Numbers & Availability](#) later in this chapter.

# maintenance & service guide

## Presario 1800/1800T Series

Models: XL280, XL380, XL381,  
and XL390

### Display Assembly



#### Spare Part Item

Display Panel:  
14.1 or 15.0-inch  
TFT or TFT/SXGA (with LVDS, MD)

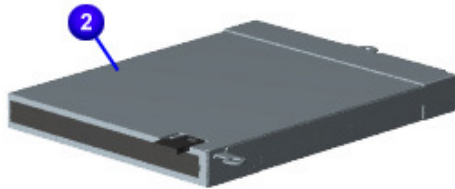
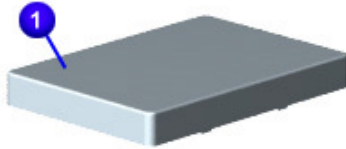
To order parts, refer to  
[Part Numbers & Availability](#)  
later in this chapter.

## maintenance & service guide

### Presario 1800/1800T Series

Models: XL280, XL380, XL381,  
and XL390

#### Mass-Storage Devices



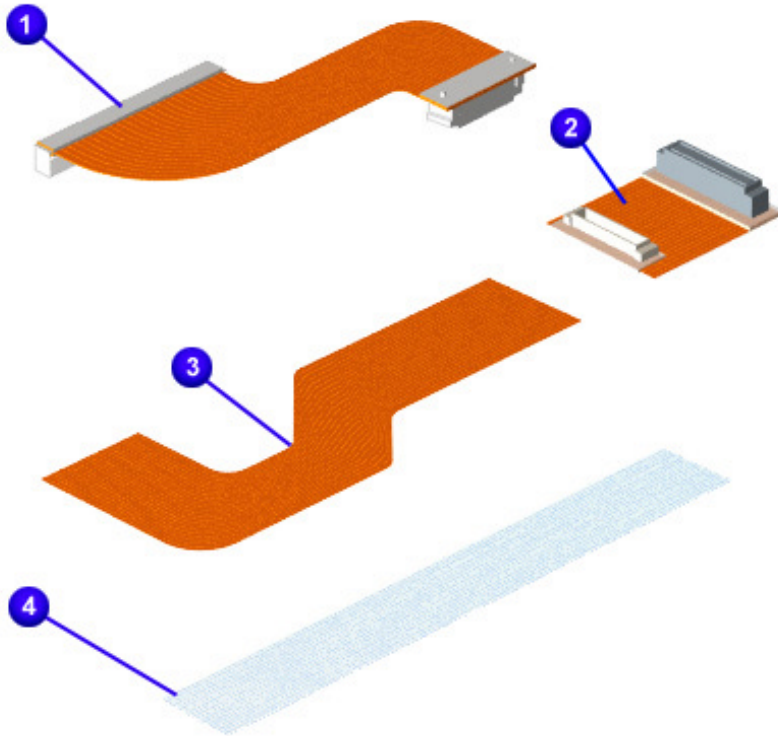
#### Spare Part Items

- |   |                                   |
|---|-----------------------------------|
| ❶ | Hard Drive (6.0 - 32.0 GB)        |
| ❷ | Diskette Drive (1.44 MB)          |
| ❸ | DVD Drive (6X or 8X)              |
| ❹ | (not shown)<br>CD-ROM Drive (24X) |
| ❺ | (not shown)<br>CD-RW Drive        |
| ❻ | (not shown)<br>DVD/CD-RW Combo    |

To order parts, refer to [Part Numbers & Availability](#) later in this chapter.

### Presario 1800/1800T Series Models: XL280, XL380, XL381, and XL390

#### Miscellaneous Cable Kit



#### Spare Part Items

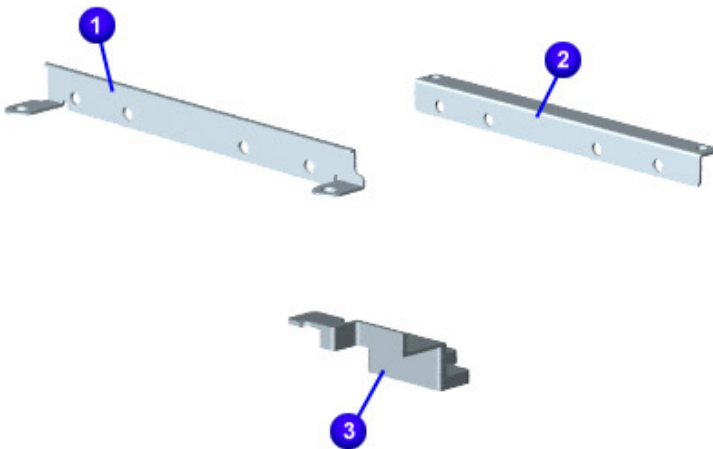
##### Miscellaneous Cable Kit\*

- |   |                            |
|---|----------------------------|
| ❶ | Hard Drive Cable           |
| ❷ | CD/DVD Drive Cable         |
| ❸ | Diskette Drive Cable       |
| ❹ | Status Panel Cable         |
| ❺ | (not shown) Modem Cable    |
| ❻ | (not shown) TouchPad Cable |

\*Kit includes one each of the above items.

To order parts, refer to [Part Numbers & Availability](#) later in this chapter.

#### Miscellaneous Hardware Kit



#### Spare Part Items

##### Miscellaneous Hardware Kit\*

- |   |                                     |
|---|-------------------------------------|
| ❶ | Hard Drive Mounting Bracket (right) |
| ❷ | Hard Drive Mounting Bracket (left)  |
| ❸ | Reinforcement Bracket               |

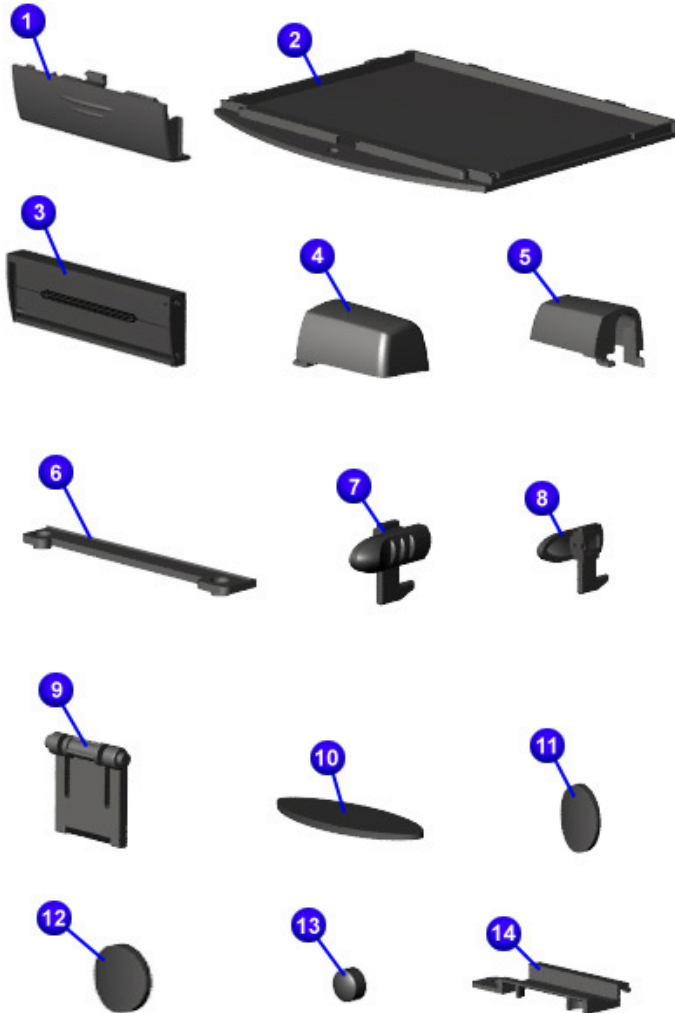
\*Kit includes one each of the above items.

To order parts, refer to [Part Numbers & Availability](#) later in this chapter.

## maintenance & service guide

**Presario 1800/1800T Series**  
**Models: XL280, XL380, XL381,**  
**and XL390**

### Miscellaneous Plastics Kit



#### Spare Part Items

Miscellaneous Plastics Kit\*

- |   |   |
|---|---|
| ❶ | Battery Pack Door                             |
| ❷ | Memory Module Cover                           |
| ❸ | PC Card (PCMCIA) Door                         |
| ❹ | Display Hinge Cover (right)                   |
| ❺ | Display Hinge Cover (left)                    |
| ❻ | CD Drive Guide                                |
| ❼ | Display Latch (right)                         |
| ❽ | Display Latch (left)                          |
| ❾ | Pop-up foot                                   |
| ❿ | Rubber Logo Plug                              |
| ⓫ | Rubber Plug (Side Mount for 14.1-in. Display) |
| ⓬ | Rubber Plug (Side Mount for 15.0-in. Display) |
| ⓭ | Rubber Foot                                   |
| ⓮ | Display Mounting Rail                         |
| ⓯ | (not shown) LCD Cover                         |

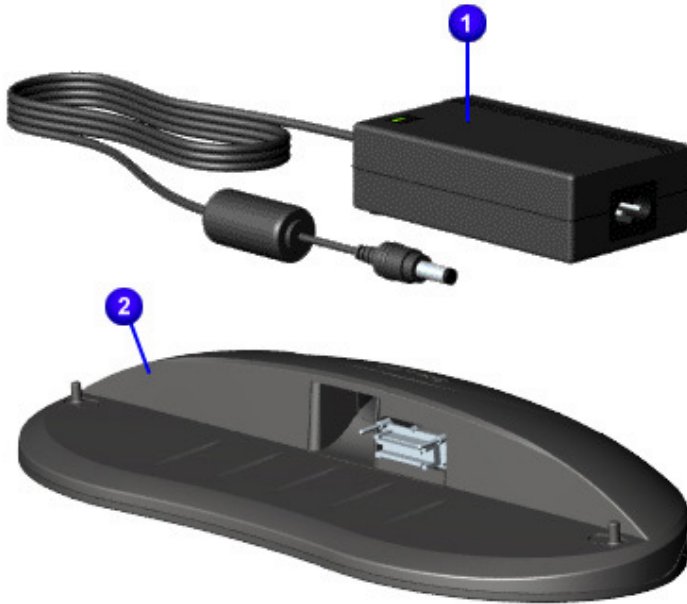
*\*Kit includes one each of the above unless quantity is stated.*

To order parts, refer to [Part Numbers & Availability](#) later in this chapter.

## maintenance & service guide

**Presario 1800/1800T Series**  
**Models: XL280, XL380, XL381,**  
**and XL390**

### Miscellaneous Parts



#### Spare Part Items

- ❶ AC Adapter  
(APD, 60 W, or Slim 2 Wire)
- ❷ QuikDock (Port Replicator)
- ❸ *(not shown)*  
AC Power Cord  
(NA or 3 Wire Intl/UK/IT)
- ❹ *(not shown)*  
Miscellaneous Screw Kit
- ❺ *(not shown)* Logo Kit
- ❻ *(not shown)* Return Kit

To order parts, refer to [Part Numbers & Availability](#) later in this chapter.

### Documentation & Software

Spare Part Items	
Beyond Setup Guide	Personal Audio Player Card
Compaq Win2K Guide	Quick Restore Kit and CD
Compaq WinME Guide	Quick Restore Recovery CD Kit
Easy Setup Poster	Read-This-First Card: AOL Connection
Emergency Recovery CD Kit	Read-This-First Card: Quick Restore
Microsoft Win2K Professional Manual Kit	Safety and Comfort Guide
Microsoft WinME Manual Kit	SnapFish Assembly Card
Microsoft Word2000 CD Kit	Warranty
Options Catalog	Win2000 Driver CD Kit
Owner Registration Card (Win2000)	

To order documentation or software, refer to [Part Numbers & Availability](#) later in this chapter.



# maintenance & service guide

**Presario 1800/1800T Series**  
**Models: XL280, XL380, XL381,**  
**and XL390**

## **Part Numbers & Availability**

This section is a comprehensive list of the parts associated with the 1800XL Series Notebooks. It provides the part number, applicable model(s), and availability of each item.

### **Build-to-Order Models**

<b>1800 XL280 Model</b>		<b>1800 XL380, XL381, and XL390 Models</b>	
<b>Build-to-Order Items</b>	<b>Part No.</b>	<b>Build-to-Order Items</b>	<b>Part No.</b>
Base	171816-001	Base	171816-001
Processor: Pentium III 650 MHz	175322-001	Processor: Pentium III 700 MHz*	175323-001*
System Board: w/ 64 MB, 100 MHz SD Memory	199192-001	System Board: w/ 64 MB, 100 MHz SD Memory	199192-001
Display: 15-in. TFT/LVDS MD	203698-001	Display: 15-in TFT/LVDS MD	203698-001
Optical Drive: 8X DVD	175326-001	Optical Drive: 8X DVD	175326-001
Hard Drive: 6.0 GB	170087-001	Hard Drive: 20.0 GB**	200350-001**
Battery: 3.2 Ahr Li-ion Enhanced	138184-001	Battery: 3.6 Ahr Li-ion Enhanced	177458-001
Extended Memory: none	n/a	Extended Memory: 64 MB, 100 MHz PC100	122700-001
Operating System: Win98SE	n/a	Operating System: WinME M3	n/a

\*Model XL390 has a Pentium III 850 MHz processor (P/N: 200353-001).

\*\*Model XL381 has a 15.0 GB hard drive (P/N: 216173-001).

To find additional parts available for these models, refer to the [Alphabetical Spares Listing](#) later in this chapter.



# maintenance & service guide

**Presario 1800/1800T Series**  
**Models: XL280, XL380, XL381,**  
**and XL390**

## Alphabetical Spares Listing

In this section, all spare parts associated with the 1800XL models are listed alphabetically by name.

[A](#) [B](#) [C](#) [D](#) [E](#) [F](#) [G](#) [H](#) [I](#) [J](#) [K](#) [L](#) [M](#) [N](#) [O](#) [P](#) [Q](#) [R](#) [S](#) [T](#) [U](#) [V](#) [W](#) [X](#) [Y](#) [Z](#)

Spare Part Description	Spare P/N	Applicable Models	Availability
AC Adapter (60 W Slim 3 Wire)	180675-001	XL381	
AC Adapter (60 W Slim 2 Wire)	180676-001	All	
AC Power Cord (NA)	293831-001	All	
AC Power Cord (Intl 3 Wire)	170513-002	XL381	
AC Power Cord (UK 3 Wire)	170513-031	XL381	
AC Power Cord (IT 3 Wire)	170513-061	XL381	
Battery Charger Board, See <a href="#">Voltage Converter Board</a>			
Battery Pack (3.2 Ahr, Li-ion Enhanced)	138184-001	XL280	
Battery Pack (3.6 Ahr, Li-ion Enhanced)	177458-001	CTO	after 6/6/00
Beyond Setup Guide	181115-002	All	
Button Board Cover w/Internet Buttons	203699-001	All	
CD-ROM Drive 24X	143922-001	CTO	after 6/6/00
CD-RW Drive	171377-001	CTO	after 6/6/00 until 1/7/01
CD-RW Drive (8X/4X/24X)	200355-001	CTO	after 11/5/00
Compaq Win2K Guide	181247-001	CTO	after 9/3/00
Compaq WinME Guide	181272-001	All	
CPU Cover w/Power Switch	138183-001	XL280, XL380, XL381 and CTO	after 6/6/00
CPU Cover w/Power Switch (1 GHz)	221481-001	XL390	
Diskette Drive (1.44 MB)	138188-001	All	
Display Panel (14.1-in. TFT/LVDS MD)	199194-001	CTO	after 6/6/00
Display Panel (15-in. SXGA, A0031)	219808-001	CTO	
Display Panel (15-in. SXGA MD)	191192-001	XL280 and CTO	after 6/6/00
Display Panel (15-in. TFT/LVDS, A0031)	218311-001	XL380, 381, and 390	
Display Panel (15-in. TFT/LVDS MD)	203698-001	CTO	after 6/6/00



# maintenance & service guide

## Presario 1800/1800T Series Models: XL280, XL380, XL381, and XL390

Spare Part Description	Spare P/N	Applicable Models	Availability
Display Module, See <a href="#">LCD Indicator Module</a>			
DVD/CD-RW Combo Drive	200356-001	CTO	after 11/26/00
DVD Drive (6X W2K)	192408-001	CTO	
DVD Drive (8X)	175326-001	All models and CTO	after 6/6/00
Easy Setup Poster	180720-001	All	
Emergency Recovery CD Kit	157296-003	All	
Enclosure Base	171816-001	XL280, 380, 381, and CTO	after 9/3/00
Enclosure Base (1 GHz)	221480-001	XL390	
Fan Assembly	138162-001	All	
Fan Assembly (1 GHz)	159500-001	XL390	
Hard Drive (6.0 GB)	170087-001	XL280	
Hard Drive (10.0 GB)	200349-001	CTO	after 8/15/00
Hard Drive (15.0 GB)	216173-001	XL381 and CTO	after 8/15/00
Hard Drive (20.0 GB)	200350-001	XL380, XL390 and CTO	after 8/15/00
Hard Drive (32.0 GB 5400 RPM)	200351-001	CTO	after 8/15/00
Heat Sink (Heatspreader)	218312-001	All	
Heat Sink (1 GHz)	221483-001	XL390	
Internet Switch Board (LCD)	138186-001	XL380, XL381, XL390, and CTO	after 6/6/00
Internet Switch Board (SXGA)	199195-001	XL280 and CTO	
Keyboard (US)	171819-001	XL280, XL380, XL390, and CTO	after 6/6/00
Keyboard (UK)	171819-031	XL381	
Keyboard (FR)	171819-051	XL381	
Keyboard (IT)	171819-061	XL381	
LCD Indicator (Display) Module	138187-001	All	
LCD Indicator (Display) Module	177457-001	XL280 and CTO	
Logo Kit	169610-001	All	

Manuals, See [Beyond Setup Guide](#), [Compaq Win2K](#), [Compaq WinME](#), [Microsoft Win2K](#), and [Microsoft WinME](#)



# maintenance & service guide

## Presario 1800/1800T Series Models: XL280, XL380, XL381, and XL390

Spare Part Description	Spare P/N	Applicable Models	Availability
Memory (32 MB SDRAM, PC100, SO DIMM)	122699-001	CTO	after 6/6/00
Memory (64 MB SDRAM, PC100, SO DIMM)	122700-001	XL380, XL381, XL390, and CTO	after 6/6/00
Memory (128 MB SDRAM, SO DIMM)	123930-001	CTO	after 6/6/00
Memory (256 MB SDRAM, PC100, SO DIMM)	175325-001	CTO	after 6/6/00
Microsoft Win2K Professional Manual Kit	169879-001	CTO	after 9/3/00
Microsoft WinME Manual Kit	180309-001	All	
Microsoft Word2000 CD Kit	147234-001	All US platforms	
Miscellaneous Cable Kit	138189-001	All	
Miscellaneous Hardware Kit	138160-001	All	
Miscellaneous Plastics Kit	138190-001	All	
Miscellaneous Screw Kit	138161-001	All	
Modem K-56K Data/Fax w/o SRAM	400445-001	All	
Mouse (USB)		CTO	after 8/15/00
Options Catalog	166299-003	All US platforms	
Owner Registration Card (Win2000)	141572-005	CTO	after 9/3/00
Palmrest Cover w/ TouchPad Button Bd	138181-001	All	
Personal Audio Player Card	216792-001	All US platforms	
Port Replicator, See <a href="#">QuikDock</a>			
Processor (600 MHz Celeron)	201347-001	CTO	after 9/1/00
Processor (600 MHz PIII 256K)	175319-001	CTO	after 6/6/00
Processor (650 MHz PIII 256K)	175322-001	XL280 and CTO	after 6/6/00 until 9/15/00
Processor (700 MHz PIII 256K)	175323-001	XL380, XL381, and CTO	after 6/6/00
Processor (750 MHz PIII 256K)	199193-001	CTO	after 6/19/00
Processor (800 MHz PIII)	200352-001	CTO	after 9/25/00
Processor (850 MHz PIII)	200353-001	XL390 and CTO	after 9/25/00
Quick Restore CD (Win2000)	219813-001	CTO	after 9/3/00
Quick Restore Kit (Win2000)	219812-001	CTO	after 9/3/00



# maintenance & service guide

## Presario 1800/1800T Series Models: XL280, XL380, XL381, and XL390

Spare Part Description	Spare P/N	Applicable Models	Availability
Quick Restore Recovery CD Kit	157296-003	All	
QuikDock (Port Replicator)	138167-001	All	
Read-This-First Card: AOL Connection	221569-001	All US platforms	
Read-This-First Card: Quick Restore (Win2000)	176779-001	CTO	after 9/3/00
Return Kit	138166-001	All	
Safety and Comfort Guide	191432-001	All	
SnapFish Assembly Card	216035-002 (alt -001)	All US platforms	
Speakers, Enclosure, and Cables	138185-001	All	
System I/O Board (w/ 64 MB SDRAM)	199192-001	XL280 and CTO	
System I/O Board (w/ 64 MB SDRAM, 8 MB M3 VRAM)	217803-001	XL380, XL381, XL390, CTO	
System I/O Board (w/ 64 MB SDRAM, 16 MB M3 VRAM)	217804-001	CTO	
Voltage Converter Board (Battery Charger)	171815-001	All	
Warranty Statement	170835-004	All US platforms	
Win2000 Driver CD Kit	191298-003	CTO	after 9/3/00

To see illustrations of each part and a list of items contained in each miscellaneous parts kit, refer to [Illustrated Parts](#) earlier in this chapter.