

# PCG-FX777/FX877

## SERVICE MANUAL

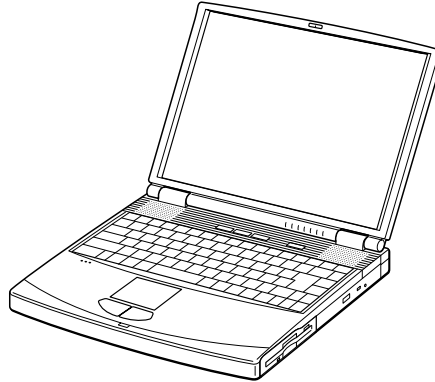
*For American Area  
Latin Model*

Ver 1-2001J

All the supplementary information are attached at the end of data files.

[Update List](#)

Lineup : PCG-FX777  
PCG-FX877



Illust : PCG-FX877

 S400



Confidential

**NOTEBOOK COMPUTER**

**SONY®**

**Information in this document is subject to change without notice.**

Sony and VAIO are trademarks of Sony. Intel logo and Intel Inside logo are registered trademarks of Intel Corporation. Pentium MMX is a trademark of Intel Corporation. Microsoft, MS-DOS, Windows, the Windows 95 and Windows 98 logo are trademarks of Microsoft Corporation.

All other trademarks are trademarks or registered trademarks of their respective owners. Other trademarks and trade names may be used in this document to refer to the entities claiming the marks and names or their products. Sony Corporation disclaims any proprietary interest in trademarks and trade names other than its own.

Caution Markings for Lithium/Ion Battery - The following or similar texts shall be provided on battery pack of equipment or in both the operating and the service instructions.

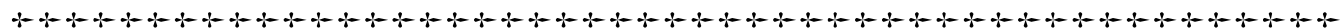
**CAUTION:** Danger of explosion if battery is incorrectly replaced. Replace only with the same or equivalent type recommended by the manufacturer. Discard used batteries according to the manufacturer's instructions.

**CAUTION:** The battery pack used in this device may present a fire or chemical burn hazard if mistreated. Do not disassemble, heat above 100°C (212°F) or incinerate.

Dispose of used battery promptly.  
Keep away from children.

**CAUTION:** Changing the back up battery.

- Overcharging, short circuiting, reverse charging, mutilation or incineration of the cells must be avoided to prevent one or more of the following occurrences; release of toxic materials, release of hydrogen and/or oxygen gas, rise in surface temperature.
- If a cell has leaked or vented, it should be replaced immediately while avoiding to touch it without any protection.



## Service and Inspection Precautions

### 1. Obey precautionary markings and instructions

Labels and stamps on the cabinet, chassis, and components identify areas requiring special precautions. Be sure to observe these precautions, as well as all precautions listed in the operating manual and other associated documents.

### 2. Use designated parts only

The set's components possess important safety characteristics, such as noncombustibility and the ability to tolerate large voltages. Be sure that replacement parts possess the same safety characteristics as the originals. Also remember that the  $\triangle$  mark, which appears in circuit diagrams and parts lists, denotes components that have particularly important safety functions; be extra sure to use only the designated components.

### 3. Always follow the original design when mounting parts and routing wires

The original layout includes various safety features, such as inclusion of insulating materials (tubes and tape) and the mounting of parts above the printer board. In addition, internal wiring has been routed and clamped so as to keep it away from hot or high-voltage parts. When mounting parts or routing wires, therefore, be sure to duplicate the original layout.

### 4. Inspect after completing service

After servicing, inspect to make sure that all screws, components, and wiring have been returned to their original condition. Also check the area around the repair location to ensure that repair work has caused no damage, and confirm safety.

### 5. When replacing chip components...

Never reuse components. Also remember that the negative side of tantalum capacitors is easily damaged by heat.

### 6. When handling flexible print boards...

- The temperature of the soldering-iron tip should be about 270C.
- Do not apply the tip more than three times to the same pattern.
- Handle patterns with care; never apply force.

Caution: Remember that hard disk drives are easily damaged by vibration. Always handle with care.

### ATTENTION AU COMPOSANT AYANT RAPPORT À LA SÉCURITÉ!

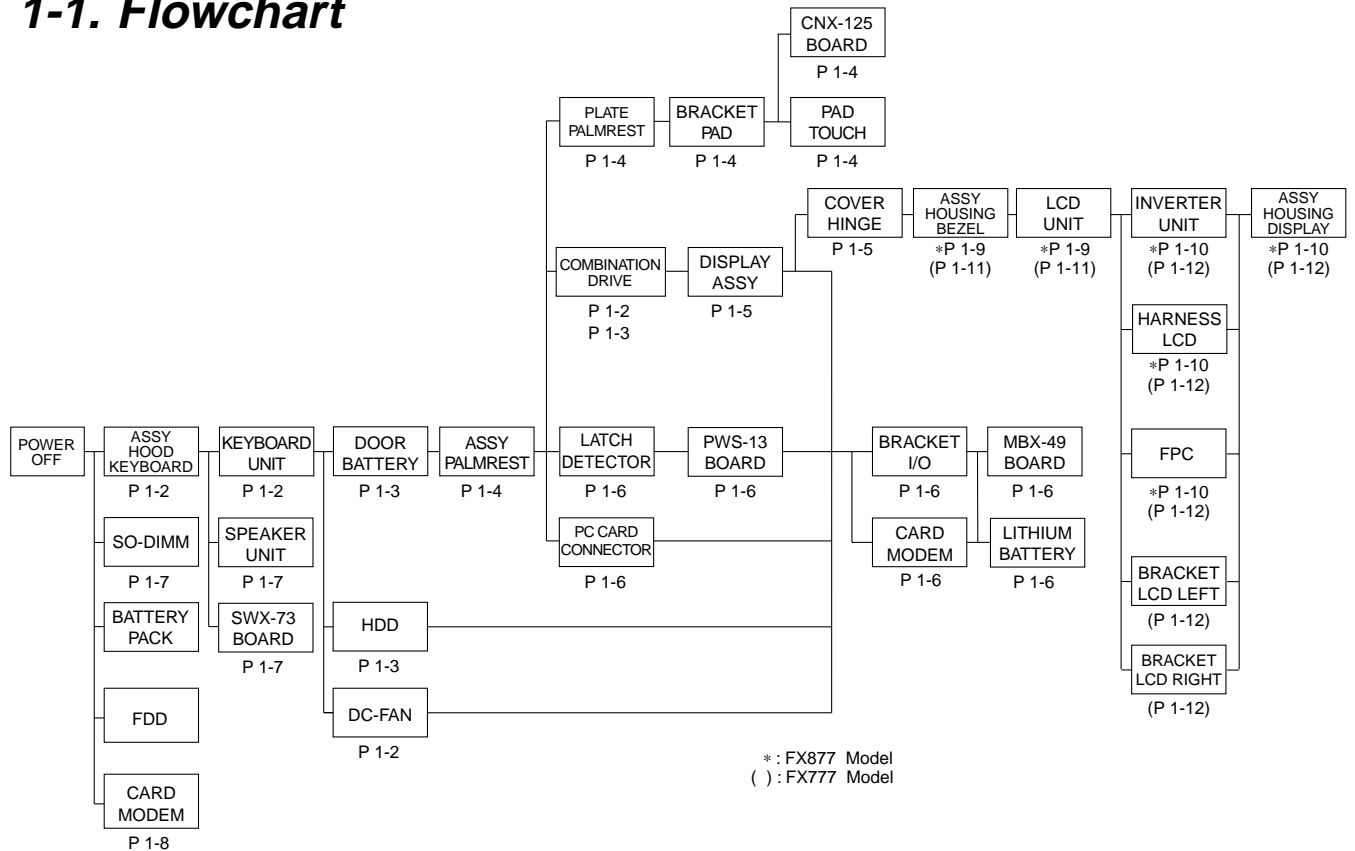
LES COMPOSANTS IDENTIFÉS PAR UNE MARQUE  $\triangle$  SUR LES DIAGRAMMES SCHÉMATIQUES ET LA LISTE DES PIÈCES SONT CRITIQUES POUR LA SÉCURITÉ DE FONCTIONNEMENT. NE REMPLACER CES COMPOSANTS QUE PAR DES PIÈSES SONY DONT LES NUMÉROS SONT DONNÉS DANS CE MANUEL OU DANS LES SUPPLÉMENTS PUBLIÉS PAR SONY.

## TABLE OF CONTENTS

<u>Section</u>	<u>Title</u>	<u>Page</u>	<u>Section</u>	<u>Title</u>	<u>Page</u>
<b>CHAPTER 1. REMOVAL</b>			<b>CHAPTER 2. SELF DIAGNOSTICS</b> ..... 2-1 (to 2-1)		
1-1.	Flowchart .....	1-1	<b>CHAPTER 3. BLOCK DIAGRAM</b> ..... 3-1 (to 3-2)		
1-2.	Main Electrical Parts Location Diagram .....	1-1	<b>CHAPTER 4. FRAME HARNESS DIAGRAM</b> ..... 4-1 (to 4-2)		
1-3.	Removal .....	1-2	<b>CHAPTER 5. EXPLODED VIEWS AND PARTS LIST</b> ..... 5-1		
1.	Assy Hood Keyboard, Keyboard Unit .....	1-2	5-1.	Main Section .....	5-2
2.	DC-Fan, Combination Drive .....	1-2	5-2.	FDD Section .....	5-5
3.	Combination Drive .....	1-3	5-3.	LCD Section (FX877 Model) – Made by TS – .....	5-7
4.	HDD, Door Battery .....	1-4	5-4.	LCD Section (FX777 Model) – Made by HI – .....	5-9
5.	Assy Palmrest, Pad Touch, CNX-125 Board, Plate Palmrest, Bracket Pad .....	1-4	5-5.	Connector Section (CH Type Only) .....	5-11 (to 5-12)
6.	Display Assy, Cover Hinge .....	1-5			
7.	PWS-13 Board, Latch Detector .....	1-6			
8.	PC Card Connector, Card Modem, MBX-49 Board, Bracket I/O, Lithium Battery .....	1-6			
9.	Speaker Unit, SWX-73 Board .....	1-7			
10.	SO-DIMM .....	1-7			
11.	Card Modem (Removing from the bottom) .....	1-8			
12.	LCD Section (FX877 Model) – Made by TS – .....	1-9			
1.	Assy Housing Bezel, LCD Unit .....	1-9			
2.	Inverter Unit, FPC, Assy Housing Display, Harness LCD .....	1-10			
13.	LCD Section (FX777 Model) – Made by HI – .....	1-11			
1.	Assy Housing Bezel (14 inch) .....	1-11			
2.	Bracket LCD Left, Bracket LCD Right, LCD Unit (14 inch) .....	1-12			
3.	FPC, Inverter Unit, Assy Housing Display, Harness LCD .....	1-12			
1-4.	Replacing the CPU .....	1-13			
1.	Socket type 1,2 .....	1-13			
1.	Removing the CPU .....	1-13			
2.	Installing the CPU .....	1-13			
2.	Socket type 3 .....	1-14			
1.	Removing the CPU .....	1-14			
2.	Installing the CPU .....	1-14			
1-5.	DIP Switch Setting of the MBX-49 Board .....	1-15			
		(to 1-15)			

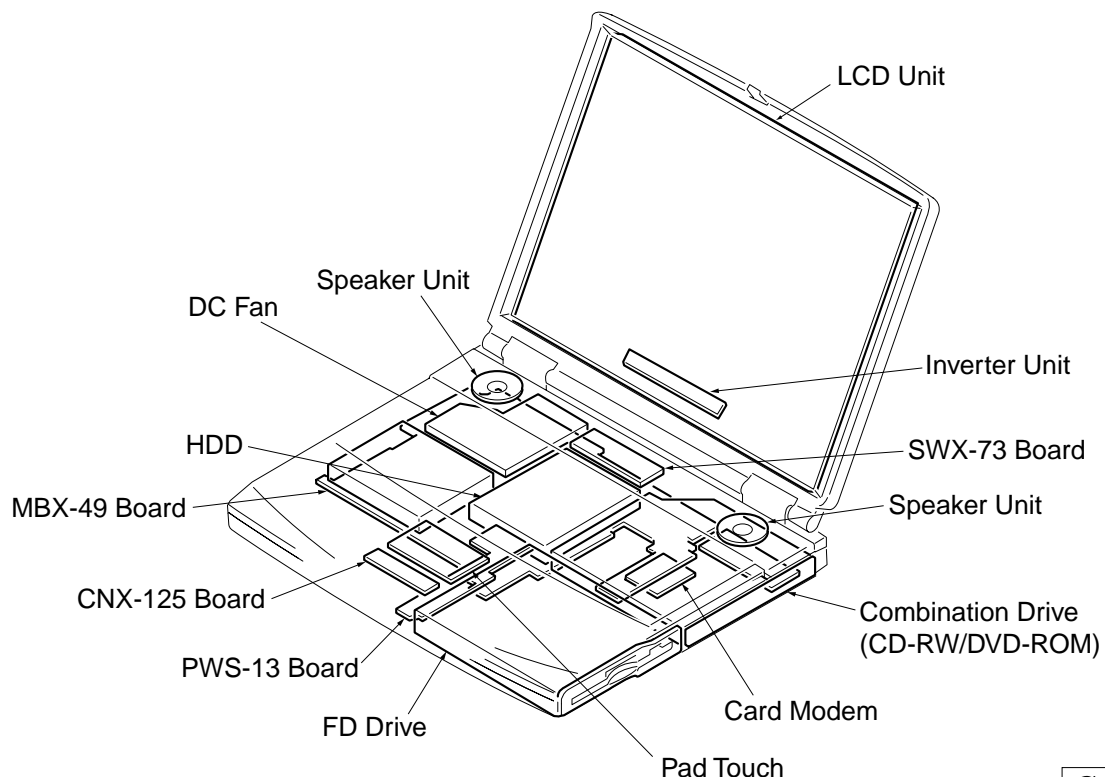
MEMO

### 1-1. Flowchart



- P XX means pages that appears in this manual.
- Remember that hard disk drives are easily damaged by vibration. Always handle with care.

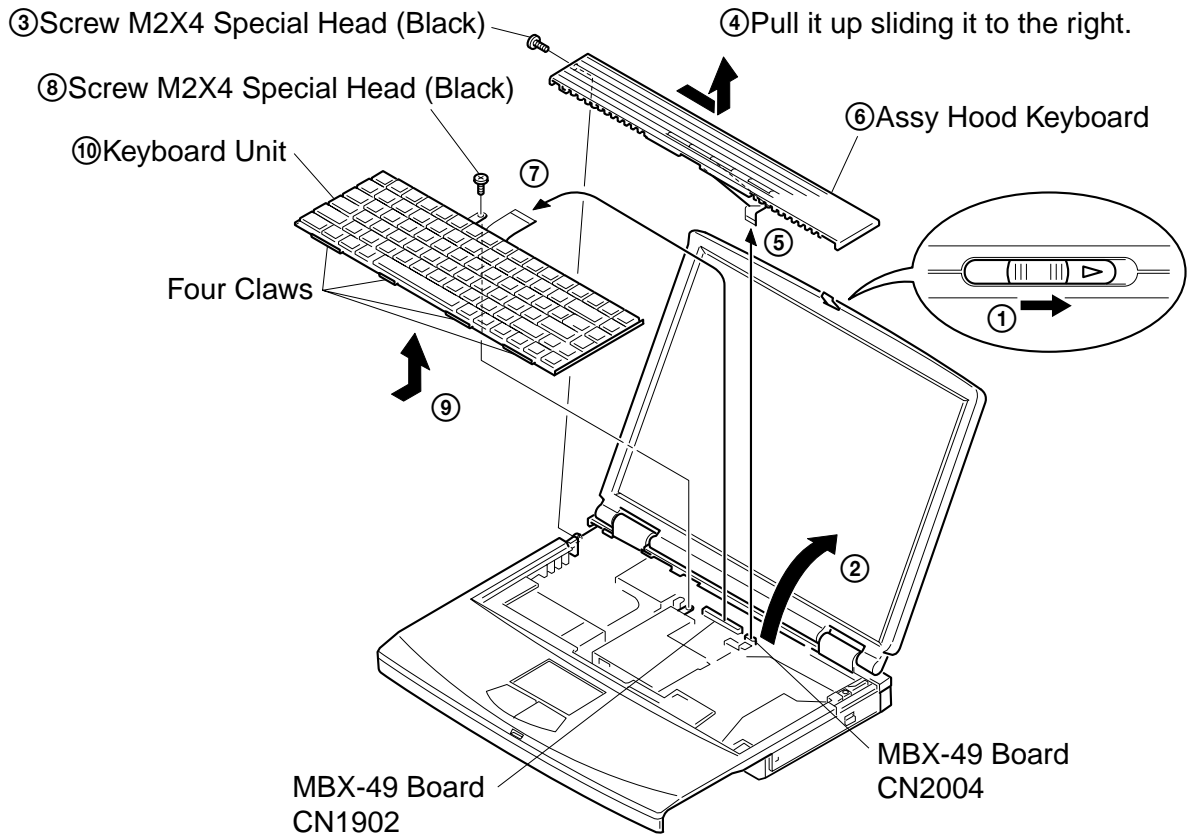
### 1-2. Main Electrical Parts Location Diagram



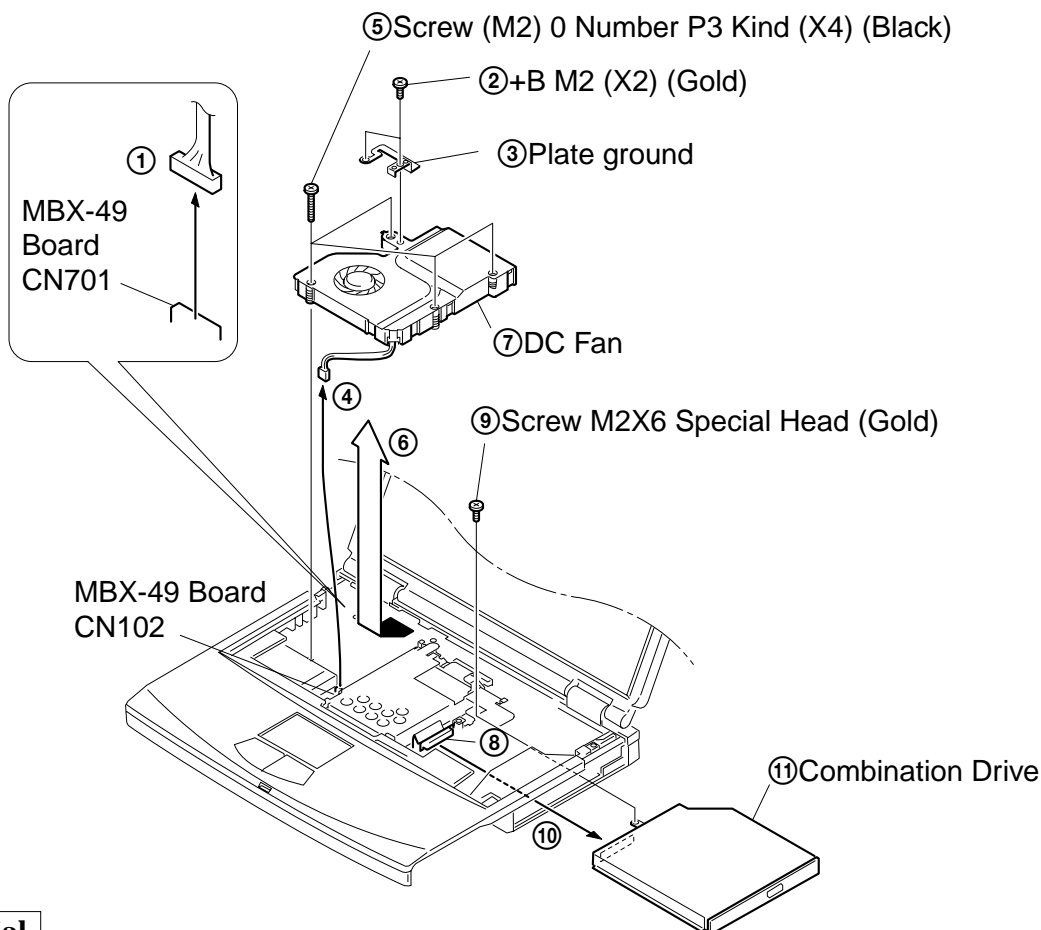
**Confidential**

# 1-3. Removal

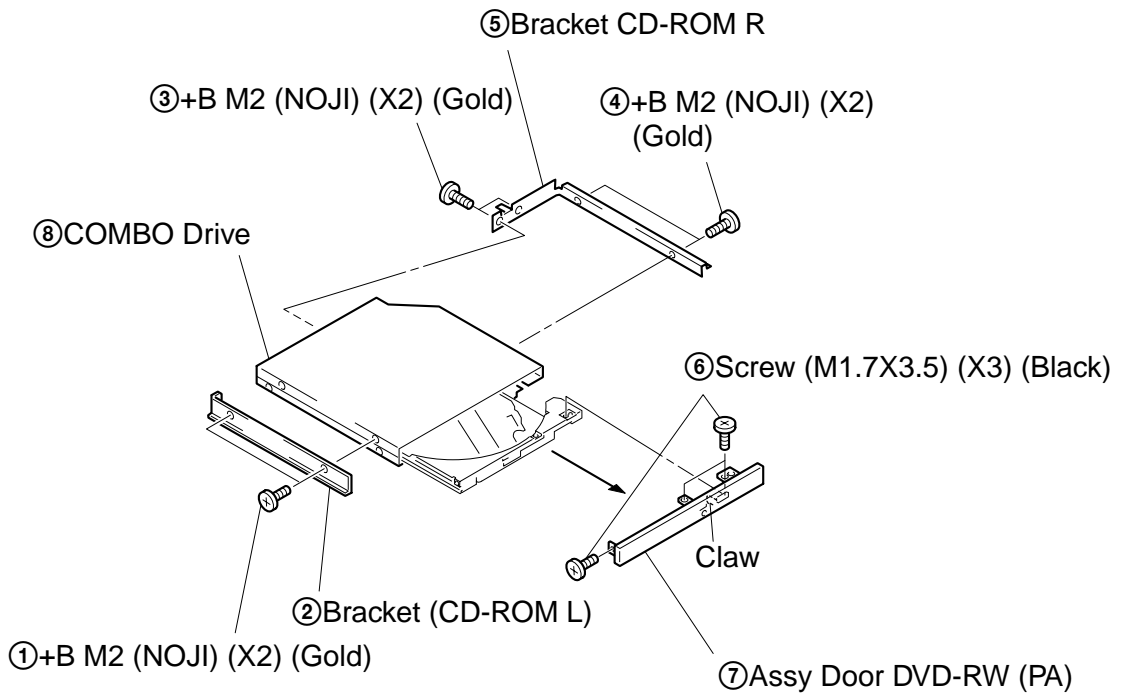
## 1. Assy Hood Keyboard, Keyboard Unit



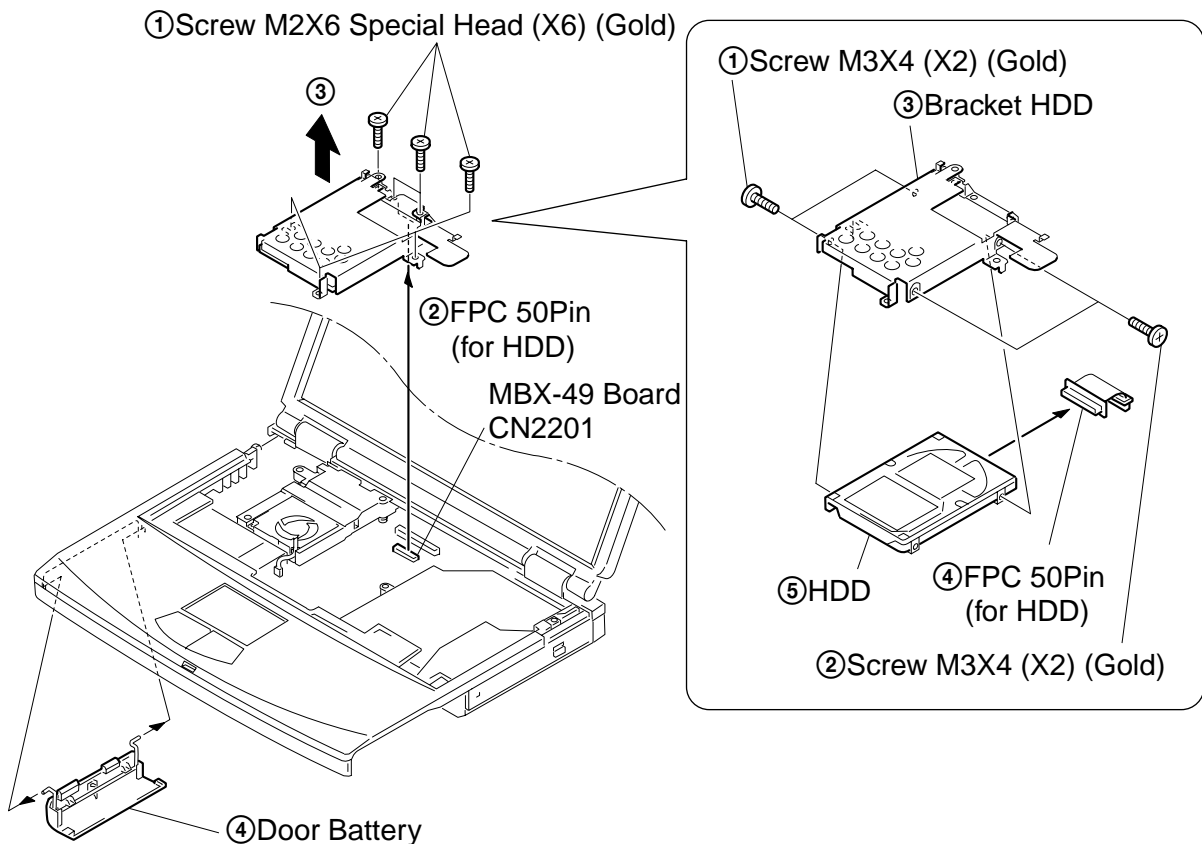
## 2. DC-Fan, Combination Drive



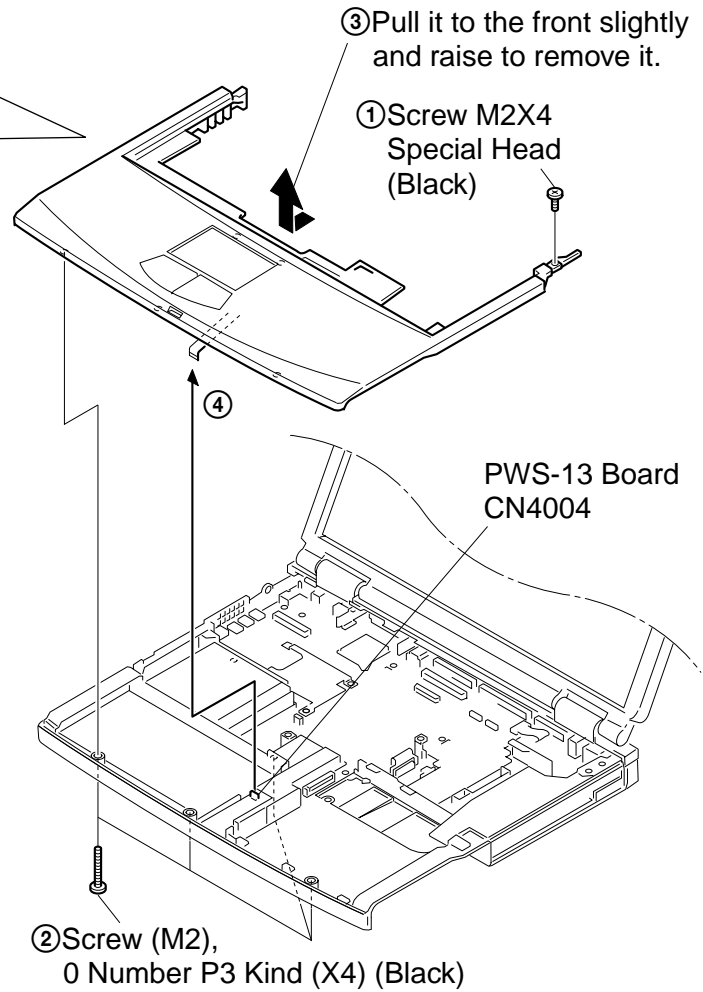
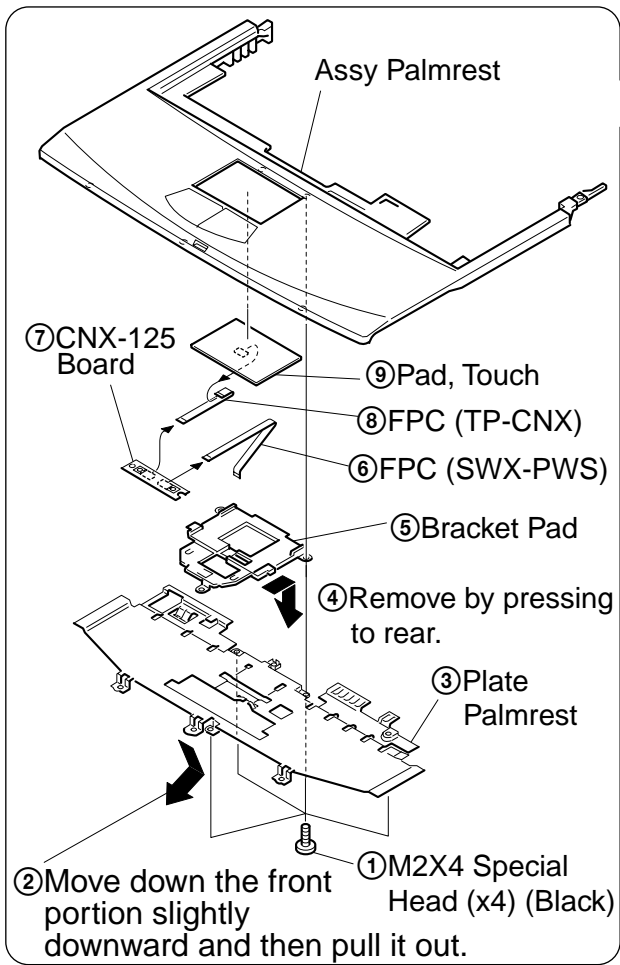
### 3. Combination Drive



### 4. HDD, Door Battery

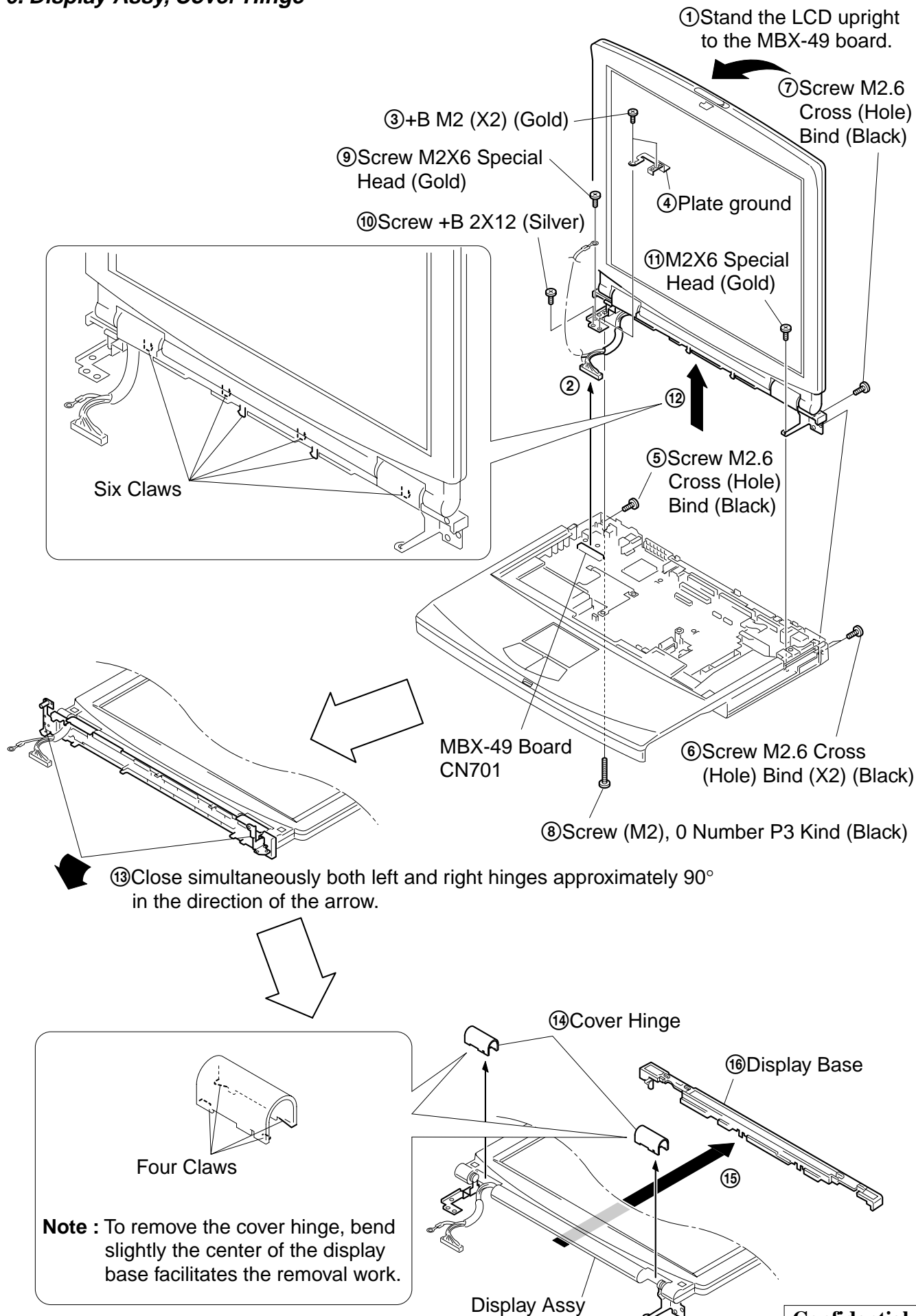


**5. Assy Palmrest, Pad Touch, CNX-125 Board, Plate Palmrest, Bracket Pad**



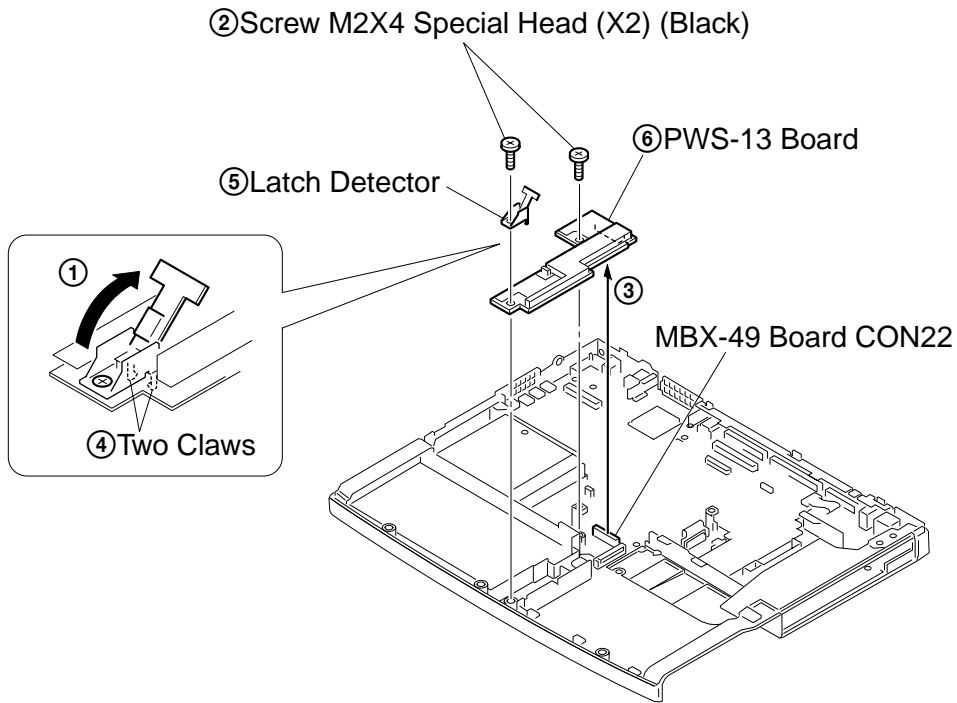


## 6. Display Assy, Cover Hinge

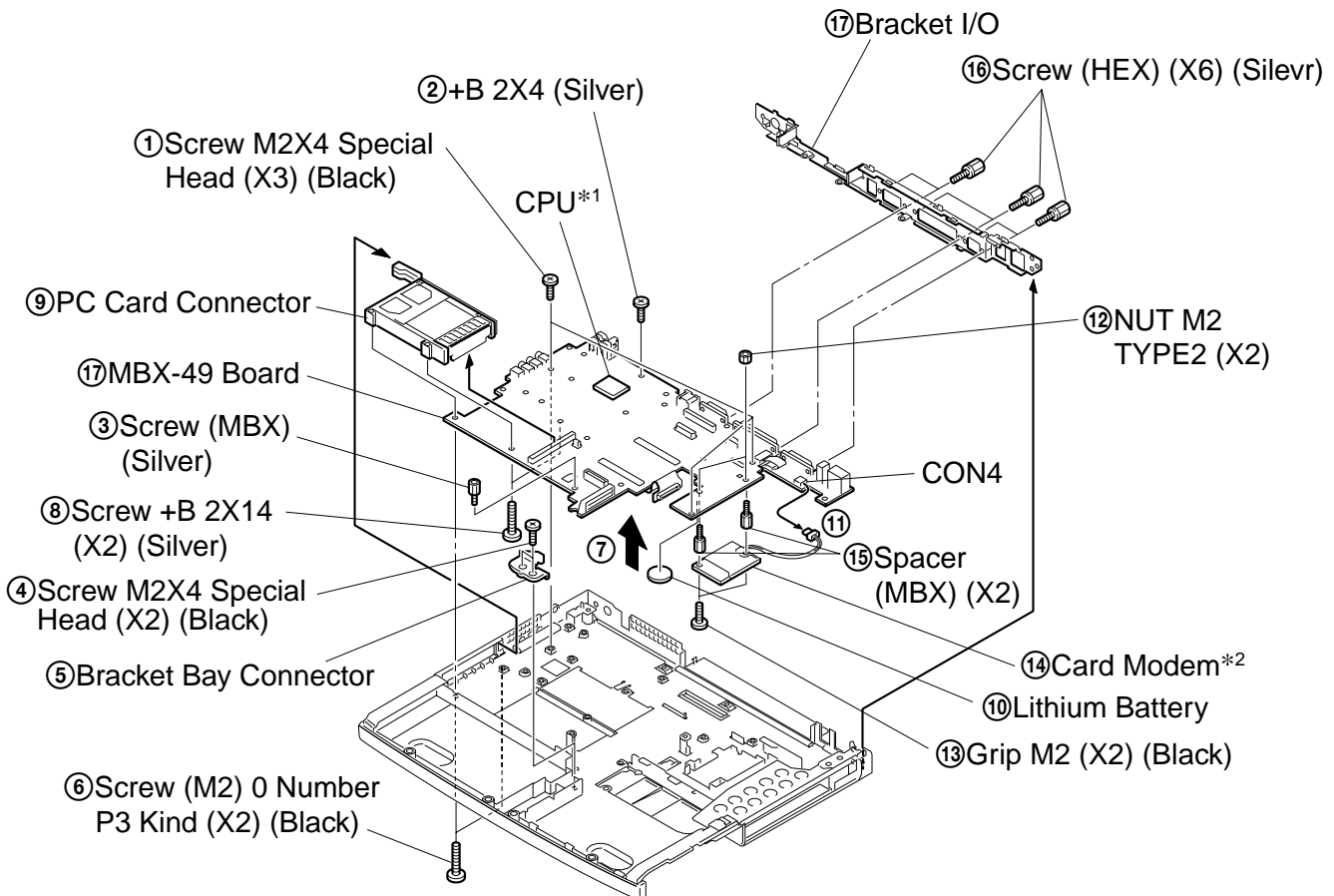


**Confidential**

## 7. PWS-13 Board, Latch Detector



## 8. PC Card Connector, Card Modem, MBX-49 Board, Bracket I/O, Lithium Battery



\*1 When removing the CPU, refer to “ 1-4. Replacing the CPU ”.

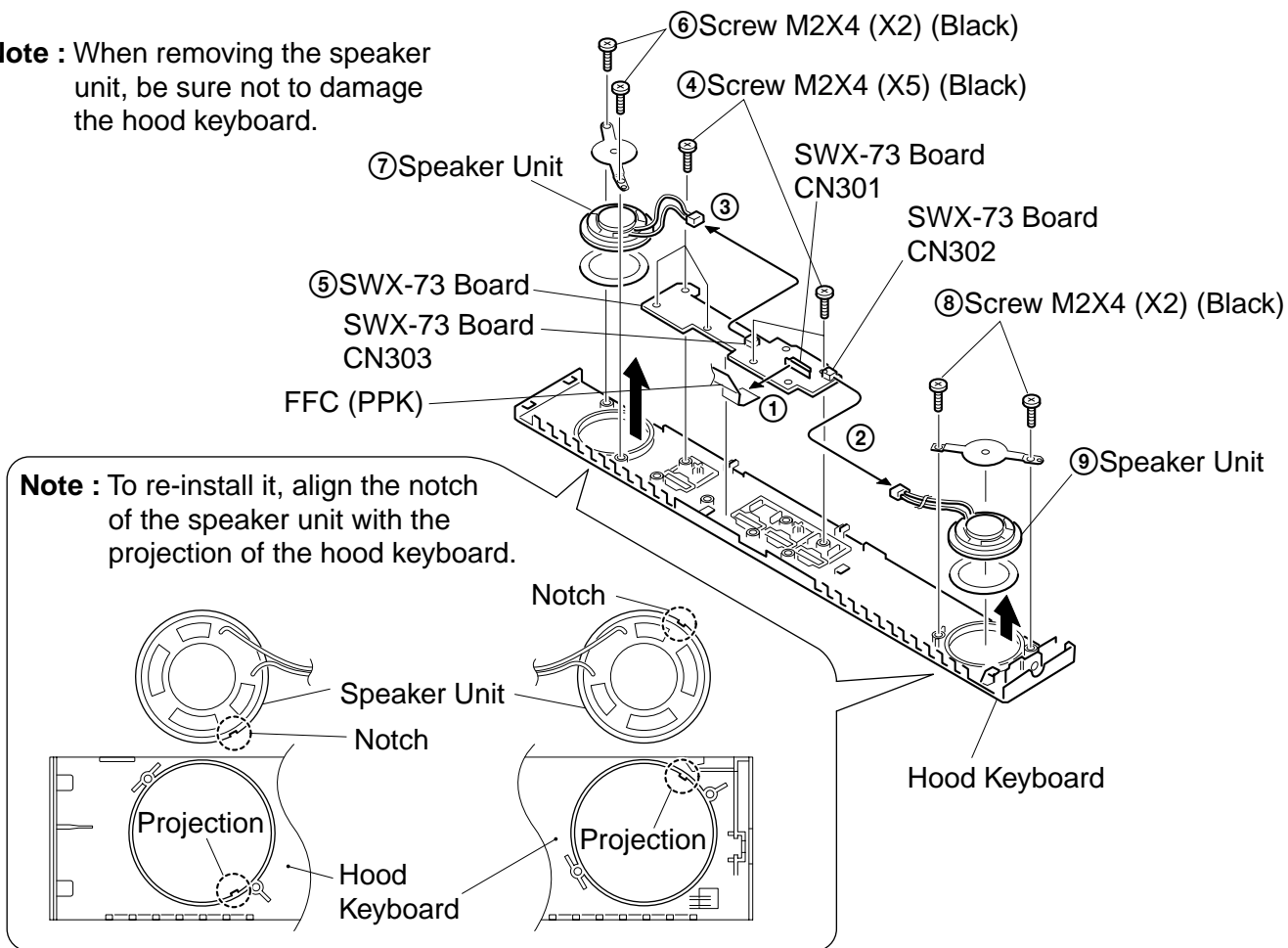
\*2 Modem card can be removed from the bottom.

Refer to the subsequent paragraph “ 11. Card Modem ” for more details.

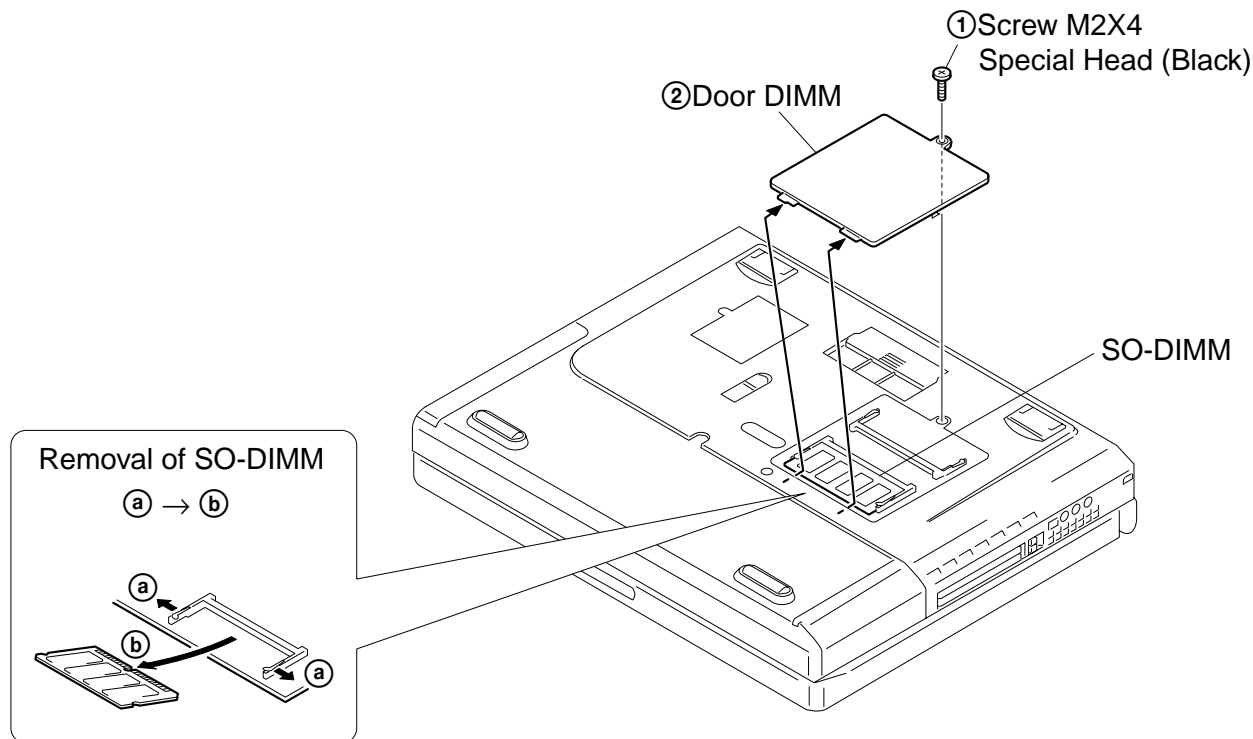
**Confidential**

## 9. Speaker Unit, SWX-73 Board

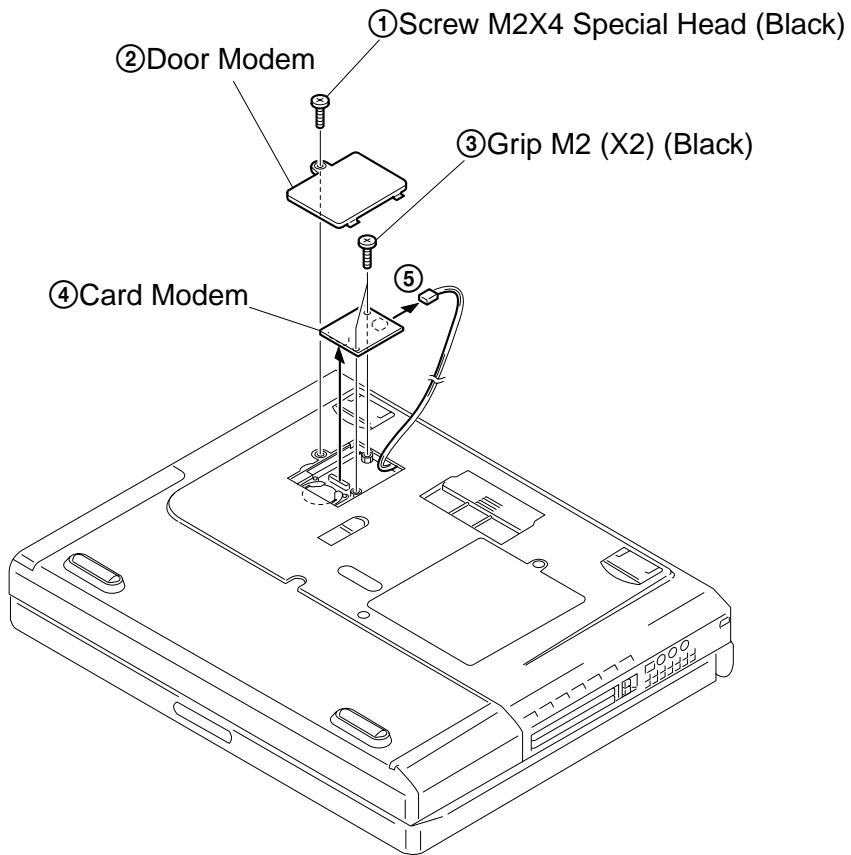
**Note :** When removing the speaker unit, be sure not to damage the hood keyboard.



## 10. SO-DIMM

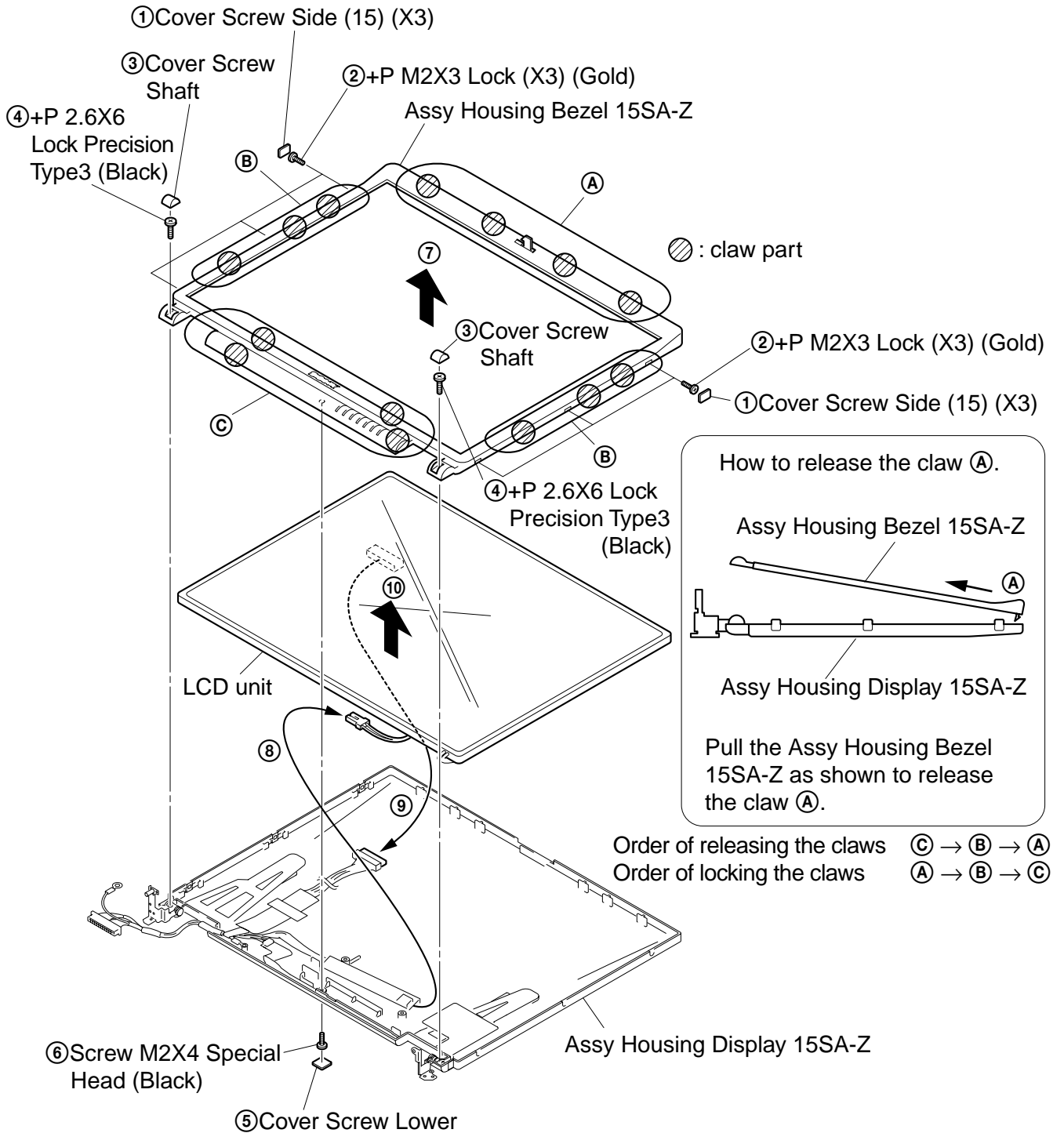


## 11. Card Modem (Removing from the bottom)



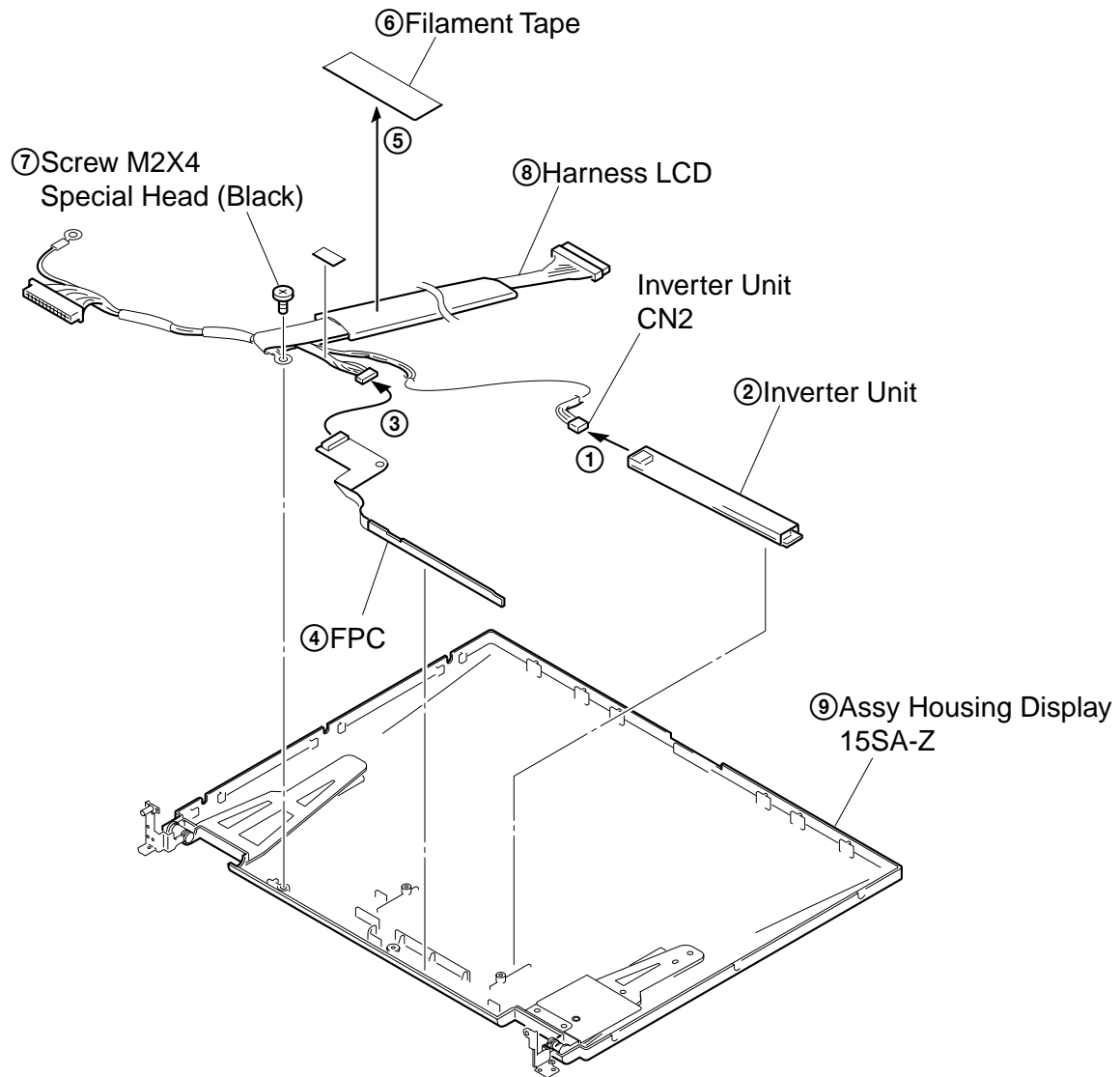
## 12. LCD Section (FX877 Model) – Made by TS –

### 1. Assy Housing Bezel, LCD Unit

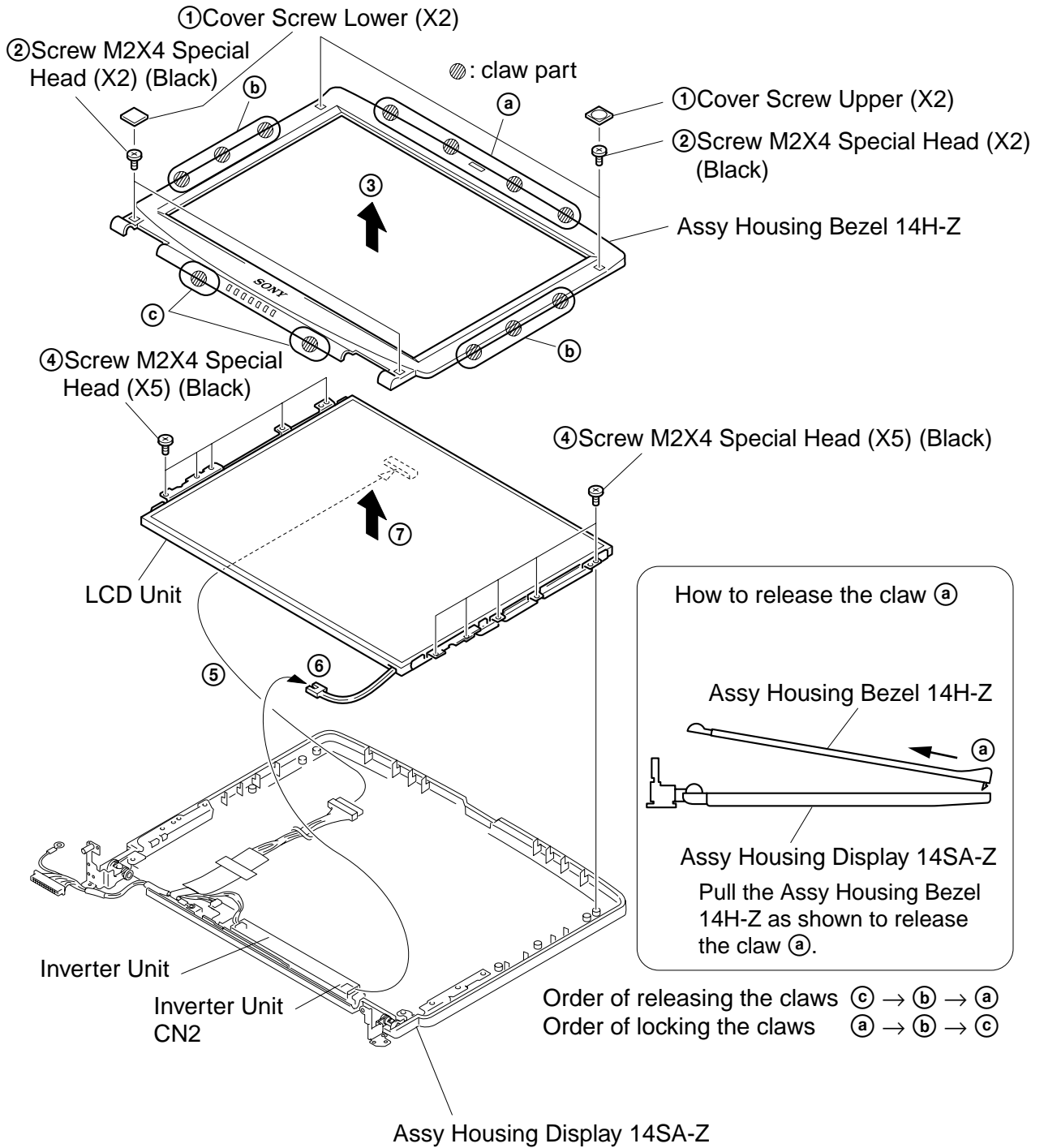


**Confidential**

## 2. Inverter Unit, FPC, Assy Housing Display, Harness LCD

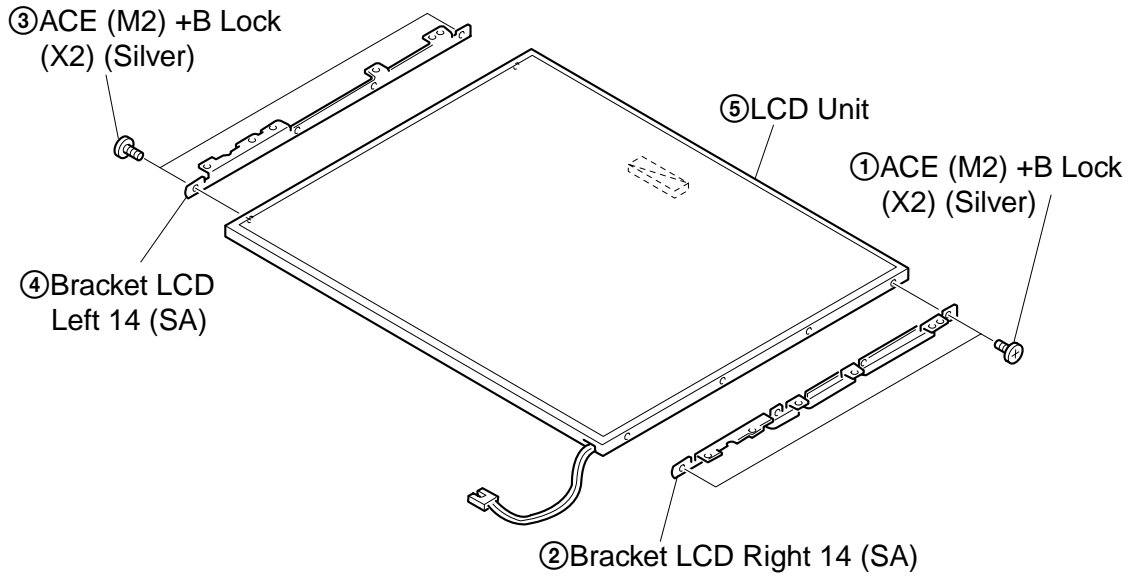


**13. LCD Section (FX777 Model) – Made by HI-**  
**1. Assy Housing Bezel (14 inch)**

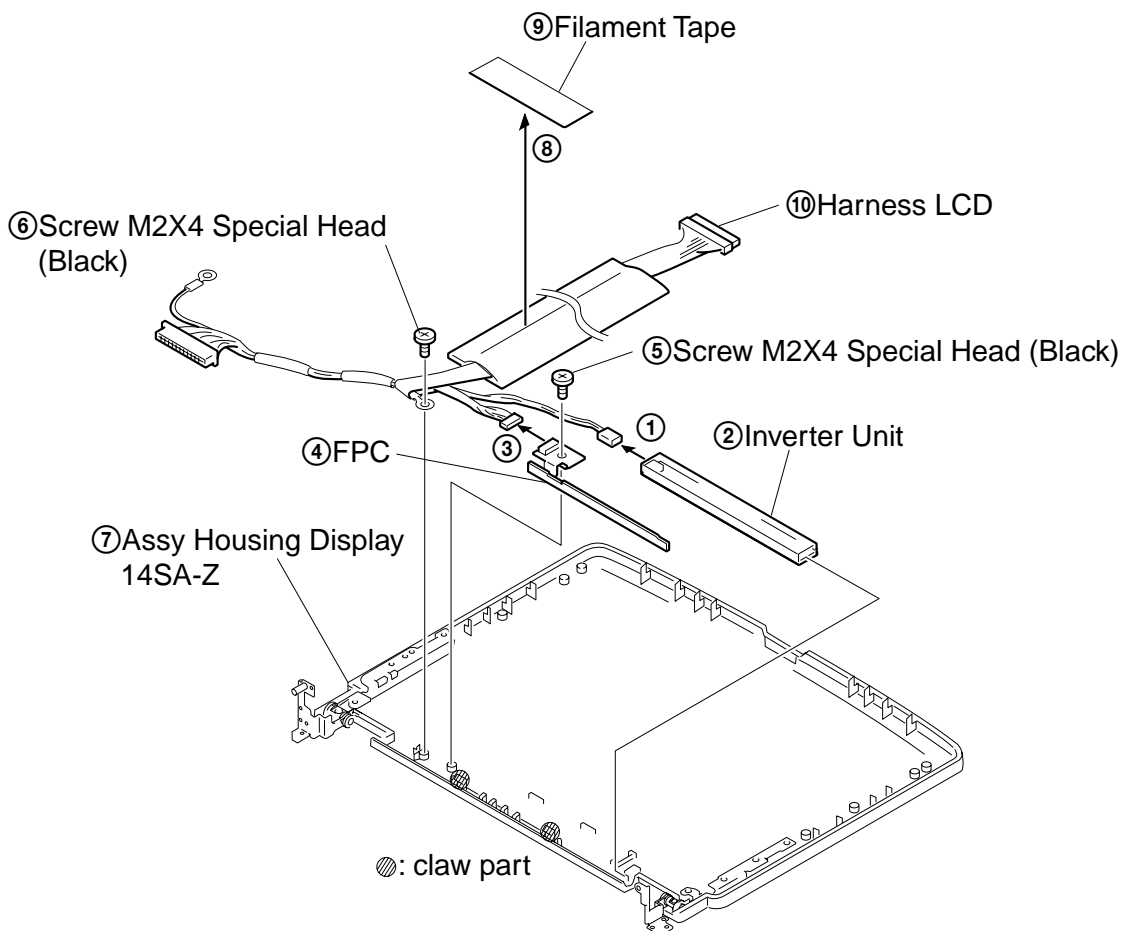


**Confidential**

## 2. Bracket LCD Left, Bracket LCD Right, LCD Unit (14 inch)



## 3. FPC, Inverter Unit, Assy Housing Display, Harness LCD





# 1-4.Replacing the CPU

**NOTE:**

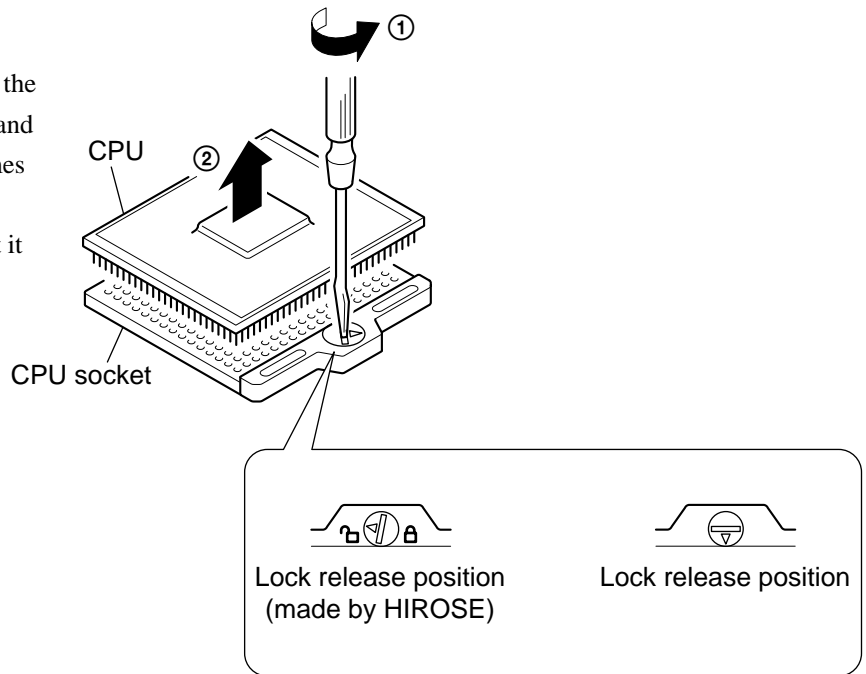
This computer uses either one of the two types of CPU socket.

The CPU locking position and the lock-release position are different depending on the types of the CPU socket.

## 1. Socket type 1, 2

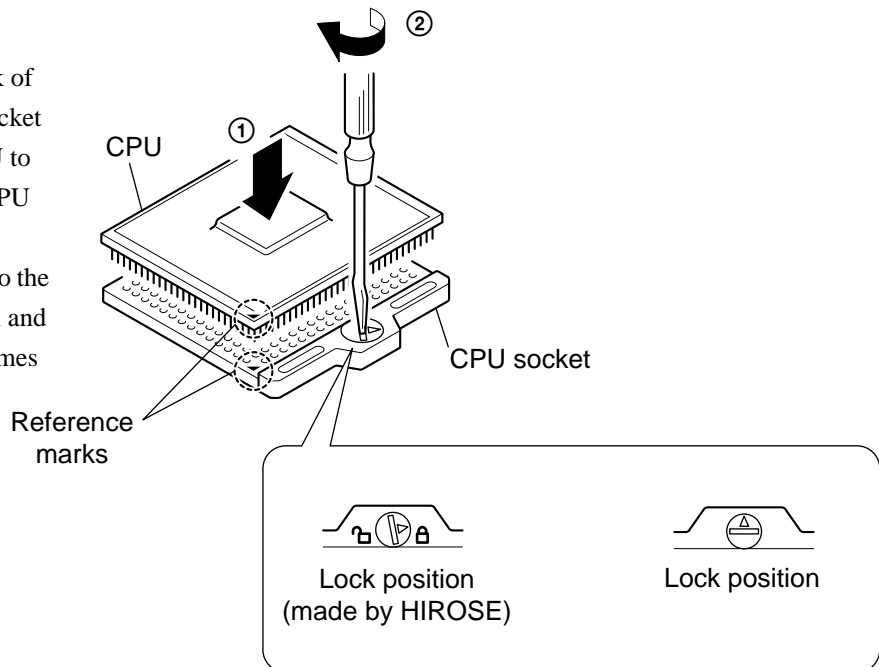
### 1. Removing the CPU

- ① Insert a flat-blade screwdriver into the notch as shown in the illustration and rotate it so that the protrusion comes to the lock release position.
- ② Pull the CPU gently upward to lift it out of the CPU socket.



### 2. Installing the CPU

- ① Align the triangle reference mark of the CPU with that of the CPU socket and insert all the pins of the CPU to the corresponding holes of the CPU socket.
- ② Insert a flat-blade screwdriver into the notch as shown in the illustration and rotate it so that the protrusion comes to the lock position.

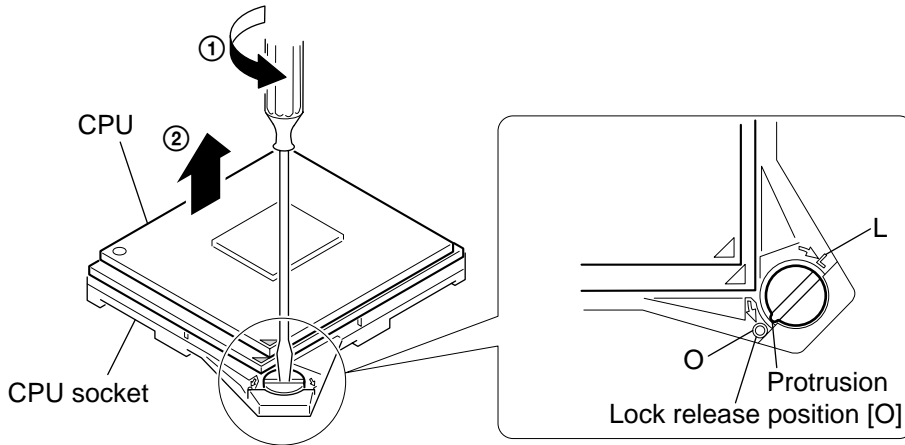


**NOTE:**

Rotate a flat-blade screwdriver to the lock position securely. If not, the operation of the CPU may become unstable.

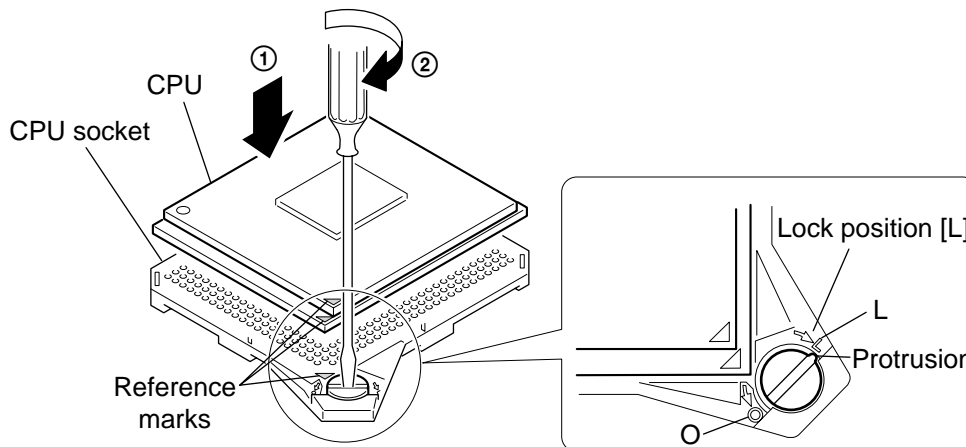
## 2. Socket type 3

### 1. Removing the CPU



- ① Insert a flat-blade screwdriver into the notch as shown in the illustration and rotate it so that the protrusion comes to the “O” (lock release) position.
- ② Pull the CPU gently upward to lift it out of the CPU socket.

### 2. Installing the CPU



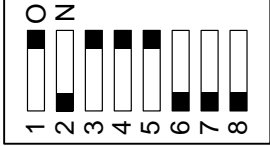
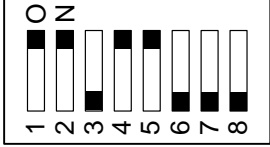
- ① Align the triangle reference mark of the CPU with that of the CPU socket and insert all the pins of the CPU to the corresponding holes of the CPU socket.
- ② Insert a flat-blade screwdriver into the notch as shown in the illustration and rotate it so that the protrusion comes to the “L” (lock) position.

#### NOTE:

- Considerable force is required to rotate a flat-blade screwdriver.
- Rotate a flat-blade screwdriver to the “L” (lock) position securely. If not, the operation of the CPU may become unstable.

## 1-5. DIP Switch Setting of the MBX-49 Board

Set the DIP switch on the MBX-49 board (main board) to match with the LCD that is used in this computer, because several types of LCD are used as shown in the following table and the DIP switch setting differs depending on the LCD type.

MODEL	Name of LCD	Part No.	DIP switch setting																		
FX877	TS	A-8058-271-A	 <p>The upper position where ON indication is shown is the ON position . The lower position is the OFF position.</p> <table border="1" data-bbox="967 815 1386 889"> <thead> <tr> <th>No.</th> <th>1</th> <th>2</th> <th>3</th> <th>4</th> <th>5</th> <th>6</th> <th>7</th> <th>8</th> </tr> </thead> <tbody> <tr> <td>ON/OFF</td> <td>0</td> <td>1</td> <td>0</td> <td>0</td> <td>0</td> <td>1</td> <td>1</td> <td>1</td> </tr> </tbody> </table> <p style="text-align: right;">0 : ON 1: OFF</p>	No.	1	2	3	4	5	6	7	8	ON/OFF	0	1	0	0	0	1	1	1
No.	1	2	3	4	5	6	7	8													
ON/OFF	0	1	0	0	0	1	1	1													
FX777	HI	A-8025-245-A	 <p>The upper position where ON indication is shown is the ON position . The lower position is the OFF position.</p> <table border="1" data-bbox="967 1270 1386 1344"> <thead> <tr> <th>No.</th> <th>1</th> <th>2</th> <th>3</th> <th>4</th> <th>5</th> <th>6</th> <th>7</th> <th>8</th> </tr> </thead> <tbody> <tr> <td>ON/OFF</td> <td>0</td> <td>0</td> <td>1</td> <td>0</td> <td>0</td> <td>1</td> <td>1</td> <td>1</td> </tr> </tbody> </table> <p style="text-align: right;">0 : ON 1: OFF</p>	No.	1	2	3	4	5	6	7	8	ON/OFF	0	0	1	0	0	1	1	1
No.	1	2	3	4	5	6	7	8													
ON/OFF	0	0	1	0	0	1	1	1													

MEMO

## **CHAPTER 2.**

# **SELF DIAGNOSTICS**

---

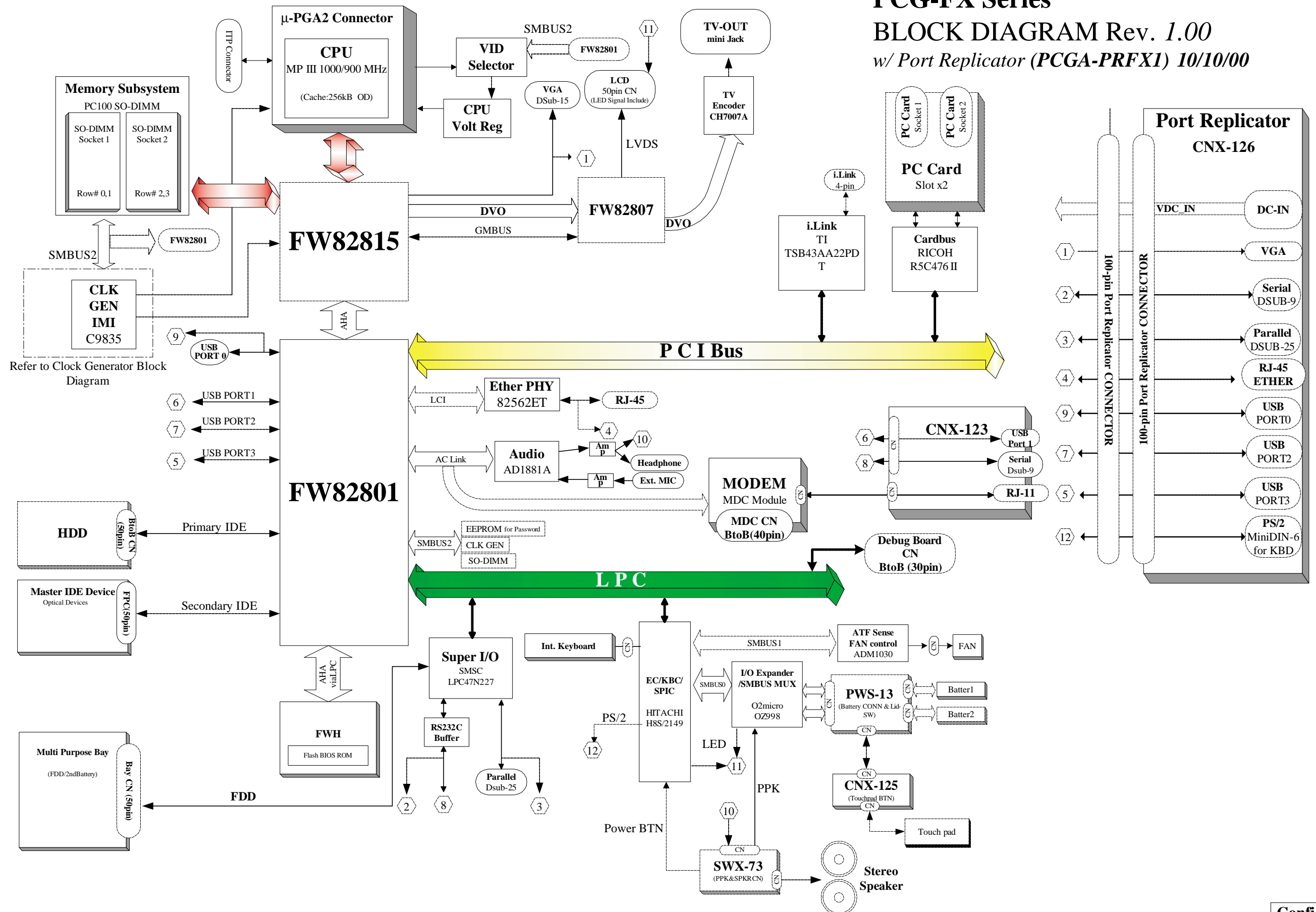
### **ATTENTION**

Please confirm “Self Diagnostics” method which will be informed you with distribution of “Self Diagnostics” software.

MEMO

# CHAPTER 3. BLOCK DIAGRAM

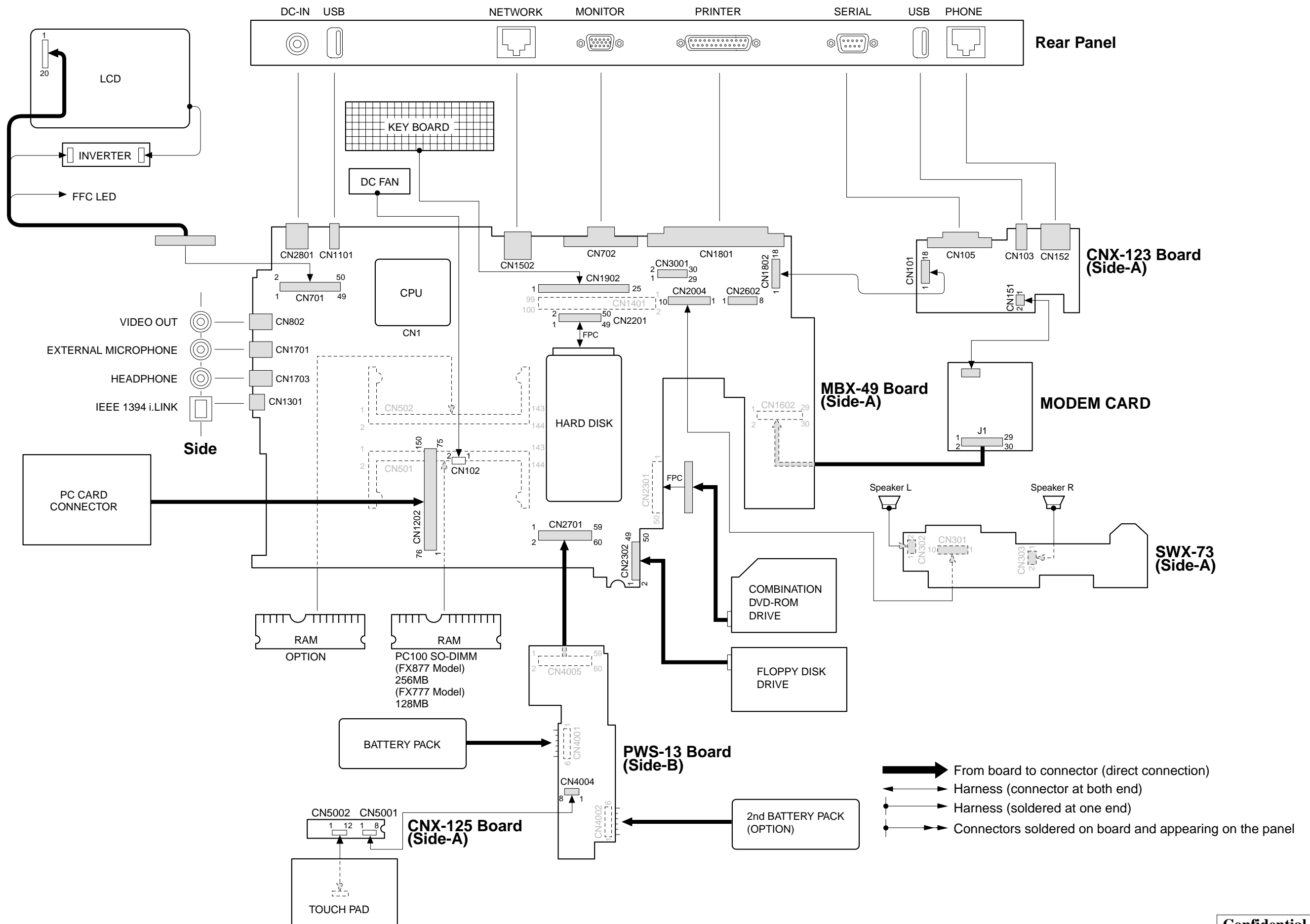
## PCG-FX Series BLOCK DIAGRAM Rev. 1.00 w/ Port Replicator (PCGA-PRFX1) 10/10/00



MEMO



# CHAPTER 4. FRAME HARNESS DIAGRAM



MEMO

EXPLODED VIEWS AND PARTS LIST

NOTE:

- The mechanical parts with no reference number in the exploded views are not supplied.
- Items marked “ \* ” are not stocked since they are seldom required for routine service. Some delay should be anticipated when ordering these items.
- When two or more parts are shown in parallel, use the part described first as the main part.

The components identified by mark  $\Delta$  or dotted line with mark  $\Delta$  are critical for safety. Replace only with part number specified.

Les composants identifiés par une marque  $\Delta$  sont critiques pour la sécurité. Ne les remplacer que par une pièce portant le numéro spécifié.

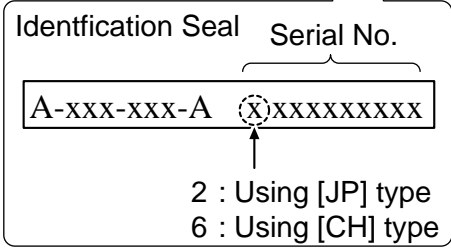
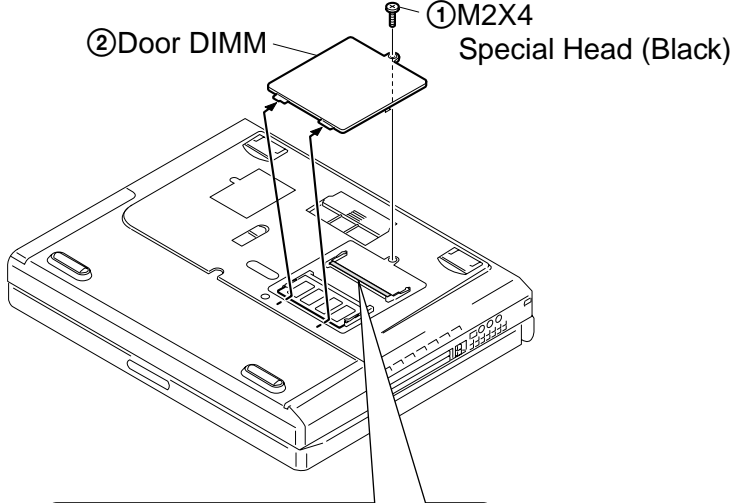
How to use properly the repair parts.

There are some parts that use the 2 types ; the [CH] parts or alternately the [JP] parts, in this series. Use the [CH] repair parts for the [CH] type product, vice versa.

The jack and connectors mounted on the board of this model can be repaired in the [JP] type only. And regarding the boards of [CH] type, the discrete parts on the boards cannot be replaced. However, some connectors can be replaced.

For details, refer to “5-5.Connector Section”.

[ How to identify the parts ]



Identification seal is attached on the expansion memory connector.

[ Repair part description example ]

<u>Ref.No.</u>	<u>Part No.</u>	<u>Description</u>
999	A-8058-171-A	[CH]...MBX-49 Z3 (CH) ASSY (S)
999	A-8025-236-A	[JP]...MBX-49 Z3 (JP) ASSY (S)

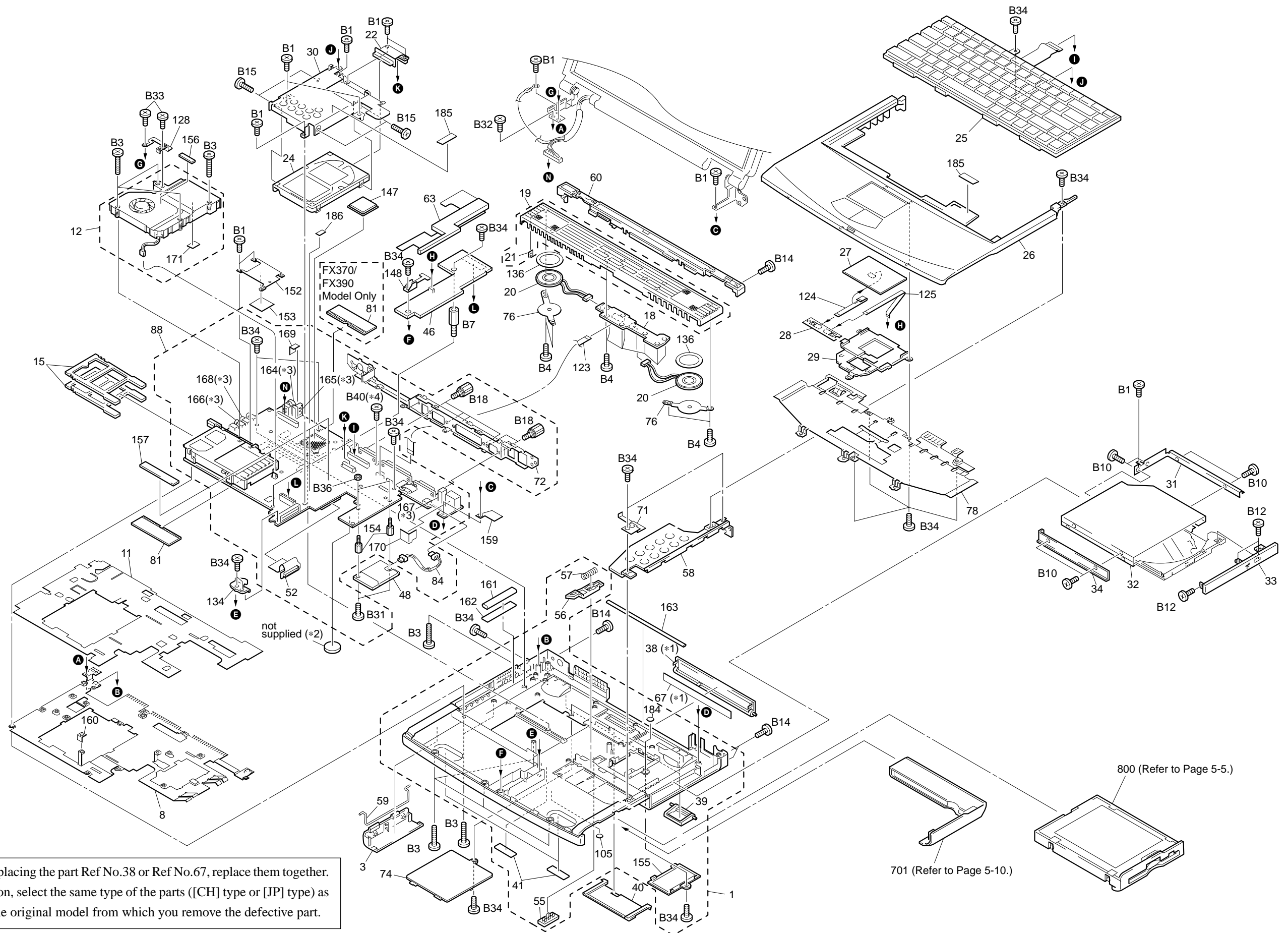
# 5-1. Main Section

Ref.No.	Part No.	Description	Ref.No.	Part No.	Description
1	X-4623-988-1	[CH]...ASSY BOTTOM (AK)	88	A-8058-172-A	[JP]...MBX-49Z3 (JP) ASSY (S)
1	X-4623-762-3	[JP]...ASSY BOTTOM (AS)	105	4-641-630-11	COVER BAY HOLE
3	4-640-837-32	DOOR BATTERY	123	1-790-711-21	FFC (PK)
3	4-640-837-22	DOOR BATTERY	124	1-757-767-11	FFC (TP-CNX)
* 8	4-651-706-21	HEATSINK BOTTOM	125	1-790-710-11	FFC (SWX-PWS)
* 8	4-651-706-01	HEATSINK BOTTOM	* 128	4-653-452-01	PLATE, GROUND
* 11	4-651-707-11	INSULATOR HEATSINK BOTTOM	* 134	4-645-433-01	BRACKET BAY CONNECTOR
* 11	4-651-707-21	INSULATOR HEATSINK BOTTOM	136	4-644-357-01	CUSHION SPK
12	1-763-658-11	FAN, DC (WITH HEAT SINK)	147	8-759-835-93	(FX877)... IC KP80526GY001256 (PIII 1000 MHz)
15	4-643-832-31	DUMMY CARD	147	6-700-454-01	(FX777)... IC KP80526GY900256 (PIII 900 MHz)
15	4-643-832-21	DUMMY CARD			
18	A-8025-266-A	[CH]...SWX-73 (CH) ASSY (S)	148	X-4623-561-2	ASSY LATCH DETECTOR
18	A-8066-960-A	[JP]...COMPLETE PWB SWX-73Z3	* 152	4-651-871-01	HEAT SINK
19	X-4623-388-2	ASSY HOOD KEYBOARD (Z)	153	4-652-012-01	SHEET, ELECTRIC HEAT
20	1-529-287-11	SPEAKER UNIT	154	4-651-989-01	SPACER (MBX)
21	3-718-233-01	NUT, PLATE	155	4-651-701-01	DOOR MODEM
22	1-790-639-22	FPC 50PIN (FOR HDD)	156	4-653-151-01	SPACER (KBF)
24	A-8066-903-A	(FX877)...ASSY HDD 20GB (H, 15F) (S)	157	4-653-466-01	CUSHION (HD-M)
24	A-8058-224-A	(FX777)...ASSY HDD 15GB (T, 15B) (S)	159	4-653-963-01	SHIELD (CNX)
25	1-476-648-71	KEY BOARD UNIT (LA)	160	4-653-964-01	SPACER (B/P)
26	X-4623-390-1	ASSY PALMREST	161	4-654-019-01	GASKET (AV)
27	1-772-529-72	PAD, TOUCH	162	4-654-047-01	SHIELD (AV)
28	A-8025-267-A	[CH]...CNX-125 (CH) ASSY (S)	163	4-653-936-01	GASKET (HB/M)
28	A-8066-959-A	[JP]...COMPLETE PWB CNX-125Z3	164	1-779-745-21	[JP]...JACK, DC
29	4-651-699-01	BRACKET PAD	165	1-815-422-11	[JP]...USB CONNECTOR (VERTICAL)
* 30	4-651-708-02	BRACKET (HDD)	166	1-695-514-21	[JP]...JACK (SMALL TYPE) 1P
31	4-640-861-04	BRACKET CD-ROM R	167	1-815-221-21	[JP]...CONNECTOR, USB (VERTICAL)
32	1-796-072-21	COMBO DRIVE (UJDA710)	168	1-793-430-11	[JP]...JACK, SMALL TYPE
33	X-4623-436-2	ASSY DOOR DVD-RW PA	169	4-653-962-01	SHIELD (USB)
34	4-640-860-03	BRACKET (CD-ROM L)	170	4-644-667-11	COVER RJ-11
38	4-651-713-11	[CH]...DOOR (IO) (*1)	170	4-644-667-01	COVER RJ-11
38	4-651-713-02	[JP]...DOOR I/O (*1)	171	4-654-350-01	SHEET (CPU), THERMAL
39	4-651-844-01	FOOT REAR	184	4-654-776-01	INSULATOR (SCREW)
40	4-651-714-01	DOOR DOCKING CONNECTOR	185	4-658-542-01	SPACER (KEY BOARD)
41	4-640-851-11	FOOT FRONT	186	4-654-320-21	SHEET (COIL), THERMAL
46	A-8025-233-A	[CH]...PWS-13 (CH) ASSY (S)	800	—————	Refer to section "5-2. FDD Section".
46	A-8066-958-A	[JP]...COMPLETE PWB PWS-13Z3	B1	4-641-726-41	SCREW (M2), SPECIAL HEAD
48	1-761-380-23	CARD, MODEM	B3	4-644-899-01	SCREW (M2), 0 NUMBER P3 KIND
52	1-790-640-11	FPC 50PIN (FOR CD-ROM)	B4	4-639-112-01	SCREW M2X4
55	4-640-845-11	BUTTON BAY	B7	4-644-402-12	SCREW (MBX)
56	4-644-349-01	LATCH BAY	B10	4-652-498-01	+B M2 (NOJI)
* 57	4-640-854-01	SPRING BAY	B12	4-645-177-01	SCREW (M1.7X3.5)
* 58	4-651-850-01	BRACKET BOTTOM	B14	4-645-497-01	SCREW (M2.6), CROSS (HOLE) BIND
* 59	4-640-857-01	DOOR BATTERY SPRING	B15	4-635-301-01	SCREW M3X4
60	4-651-698-01	DISPLAY BASE	B18	4-635-966-01	SCREW (HEX)
63	4-651-928-02	COVER BATTERY CONNECTOR	B31	4-645-214-11	GRIP, M2
67	4-652-099-21	[CH]...LABEL I/O (*1)	B32	7-621-772-68	SCREW +B 2X12
67	4-652-099-02	[JP]...LABEL I/O (*1)	B33	4-642-852-21	+B M2
* 71	4-641-851-02	SPRING (FDD), PLATE	B34	4-641-726-11	SCREW (M2), SPECIAL HEAD
* 72	4-651-709-41	[CH]...BRACKET IO	B35	7-621-772-70	SCREW +B 2X14
* 72	4-651-709-01	[JP]...BRACKET IO	B36	7-622-205-05	NUT (M2 TYPE2), HEXAGON
74	4-651-702-01	DOOR DIMM	B40	4-641-726-11	[JP]...SCREW (M2), SPECIAL HEAD
* 76	4-644-361-01	BRACKET SPK	B40	4-641-726-41	[CH]...SCREW (M2), SPECIAL HEAD
* 78	4-644-362-21	PLATE PALMREST			
* 78	4-644-362-11	PLATE PALMREST			
81	6-600-065-01	(FX877)...IC MT8LSDT3264HG-10EB1 (PC-100 SO-DIMM (256MB))			
81	8-749-019-00	(FX777)...IC HYM71V16M655AT6-P (PC-100 SO-DIMM (128MB CL2))			
81	6-600-041-01	(FX777)...IC HYM71V16M655HCT6-P (PC-100 SO-DIMM (128MB CL2))			
84	1-960-827-21	HARNESS (2 PIN)			
88	A-8058-171-A	[CH]...MBX-49Z3 (CH) ASSY (S)			

\*1 : When replacing the part Ref No.38 or Ref No.67, replace them together.

In addition, select the same type of the parts ([CH] type or [JP] type) as that of the original model from which you remove the defective part.

**Confidential**



\*1: When replacing the part Ref No.38 or Ref No.67, replace them together.  
 In addition, select the same type of the parts ([CH] type or [JP] type) as that of the original model from which you remove the defective part.

\*2 Use the Sony lithium battery CR2025 or its compatible that is available on market, for the backup battery.

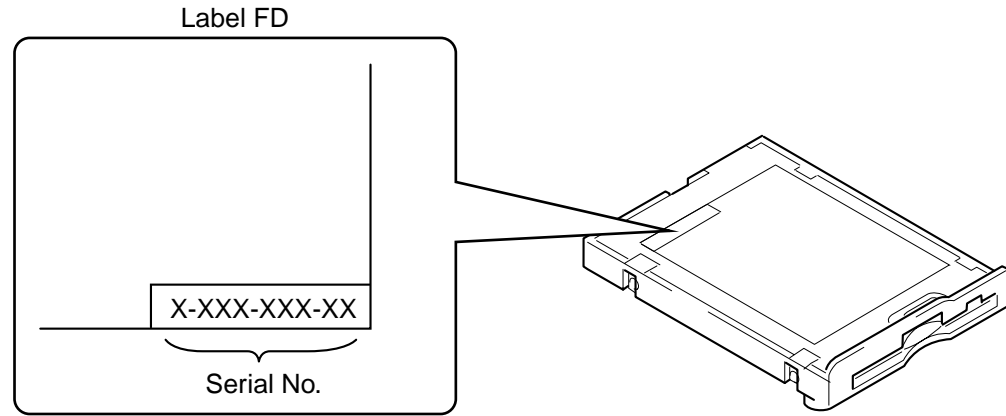
\*3 [JP] type only.

\*4 Use the different types depending on [CH] or [JP] of this model.

## 5-2. FDD Section

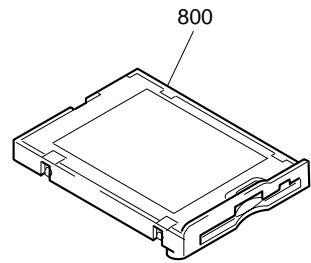
### How to use properly the FDD repair parts.

Types of service to be provided are different depending on the serial No. of the FDD in use.

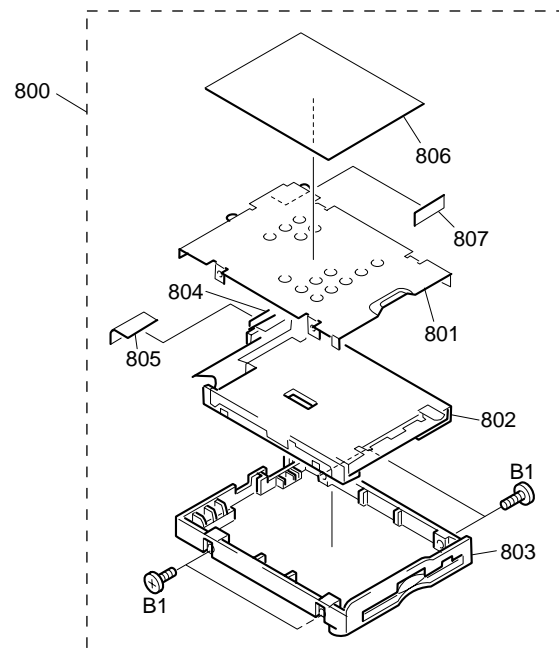


The service types are shown below depending on the serial No. that is printed in the bottom right of the FD label.

[Serial No. : 4-656-805-0\*]



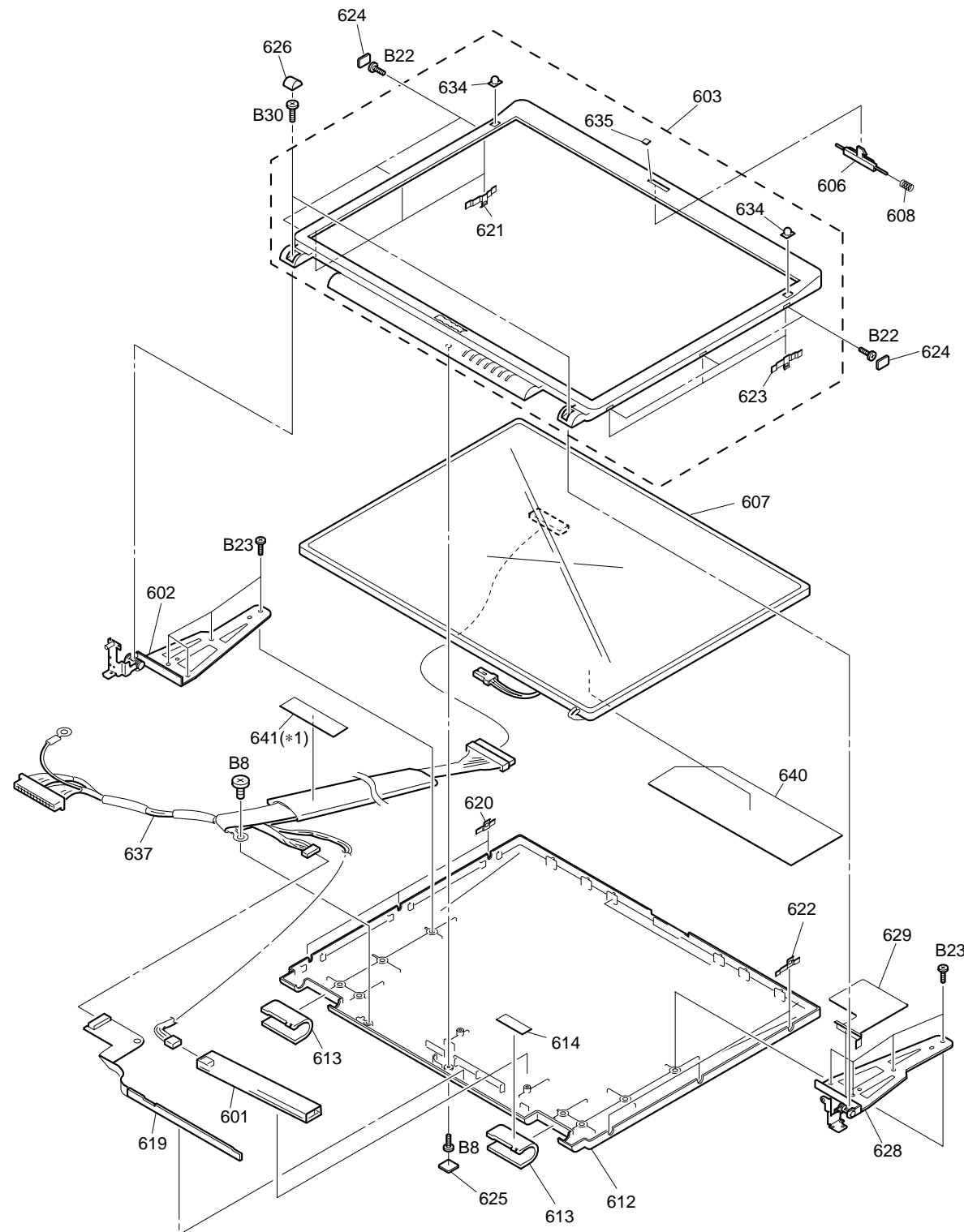
[Serial No. : 4-641-763-3\*]



Ref.No.	Part No.	Description
800	A-8025-674-A	FDD UNIT ASSY (TN-CH)

Ref.No.	Part No.	Description
800	A-8025-669-A	ASSY BAY FD (TN)
801	4-640-828-01	PLATE FDD
802	1-796-231-11	FDD (FD-07-7760)
803	X-4623-835-1	ASSY BOTTOM FDD Z (TCY3)
804	1-790-641-11	FPC 50PIN (FOR FDD)
805	4-641-629-01	INSULATOR FDD
806	4-641-763-31	LABEL FD
807	4-644-053-01	SPACER FDD
B1	4-646-807-01	0 PLATE M2.5 (FDD)

### 5-3. LCD Section (FX877 Model) – Made by TS –



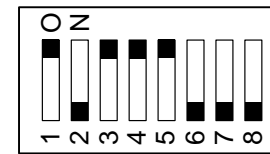
Ref.No.	Part No.	Description
601	1-476-316-11	INVERTER UNIT
602	X-4623-380-1	HINGE LEFT 15
603	X-4623-448-2	ASSY HOU, BEZEL 15SA-Z
606	4-637-902-31	LATCH
607	A-8058-271-A	ASSY LCD 15XGA (TO) (S)
608	4-637-903-01	SPRING LATCH
612	X-4623-415-1	ASSY HOU, DISPLAY 15SA-Z
613	4-642-762-31	COVER HINGE (15)
614	4-658-380-11	LABEL ID (L)
619	1-757-604-11	PWB, FLEXIBLE PRINT (SINGLE)
620	4-642-755-01	BRACKET LCD (DL) 15
621	4-642-756-01	BRACKET LCD (BL) 15
622	4-642-757-01	BRACKET LCD (DR) 15
623	4-642-758-01	BRACKET LCD (BR) 15
624	4-646-217-11	COVER SCREW SIDE (15)
625	4-635-277-22	COVER SCREW LOWER
626	4-643-549-12	COVER SCREW SHAFT
628	X-4623-381-1	HINGE RIGHT 15
629	4-643-366-11	EDGE GUARD HINGE (15)
634	4-635-276-22	COVER SCREW UPPER
635	4-642-760-12	CUSHION CENTER
637	1-961-018-71	HARNESS, LCD (XGA-F-N)
640	4-658-280-01	SHIELD TAPE (LCD)
641		FILAMENT TAPE (W12X50) (*1)

\*1 Use the FILAMENT TAPE.

Ref.No.	Part No.	Description
B8	4-641-726-11	SCREW (M2), SPECIAL HEAD
B22	4-642-761-01	+P M2X3 LOCK
B23	4-644-165-01	SCREW (M2.6X4), O PLATE P1 MAIN
B30	4-643-550-01	+P 2.6X6 LOCK PRECISION TYPE3

**NOTE :**

Set the DIP switch on the MBX-49 board (Main board) to match with the LCD (A-8058-271-A) that is used in this computer.

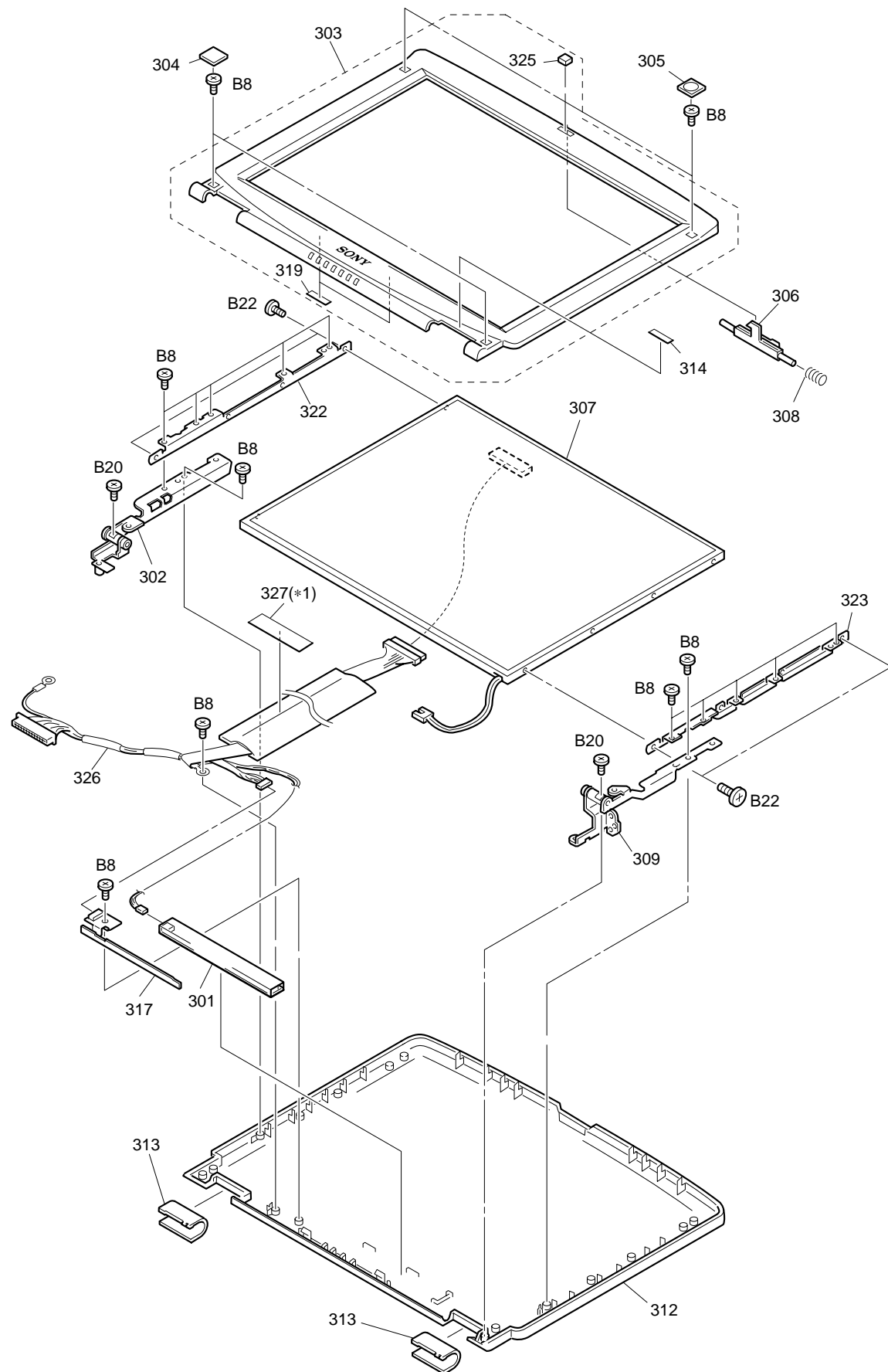


The upper position where ON indication is shown is the ON position . The lower position is the OFF position.

No.	1	2	3	4	5	6	7	8
ON/OFF	0	1	0	0	0	1	1	1

0 : ON 1: OFF

## 5-4. LCD Section (FX777 Model) – Made by HI –



Ref.No.	Part No.	Description
301	1-476-316-21	INVERTER UNIT
302	X-4623-378-1	HINGE LEFT MV
303	X-4623-776-1	ASSY HOU, BEZEL 14H-Z
304	4-635-277-22	COVER SCREW LOWER
305	4-635-276-22	COVER SCREW UPPER
306	4-637-902-31	LATCH
307	A-8025-245-A	ASSY LCD 14XGA (HT) (S)
308	4-637-903-01	SPRING LATCH
309	X-4623-379-1	HINGE RIGHT MV
312	X-4623-460-1	ASSY HOU, DISPLAY 14SA-Z
313	4-642-762-31	COVER HINGE (15)
314	4-658-380-21	LABEL ID (L)
317	1-757-605-11	PWB, FLEXIBLE PRINT (SINGLE)
319	4-654-966-01	SHEET (BEZEL), ADHESIVE
* 322	4-644-163-11	BRACKET LCD LEFT 14 (SA)
* 323	4-644-164-11	BRACKET LCD RIGHT 14 (SA)
325	4-642-760-12	CUSHION CENTER
326	1-961-018-31	HARNESS, LCD (XGA-F-N)
327		FILAMENT TAPE (W12X50)(*1)
B8	4-641-726-11	SCREW (M2), SPECIAL HEAD
B20	7-628-254-00	SCREW +PS 2.6X5
B22	4-658-316-01	ACE (M2), +B LOCK

\*1 Use the FILAMENT TAPE.

### NOTE :

Set the DIP switch on the MBX-49 board (Main board) to match with the LCD (A-8025-245-A) that is used in this computer.



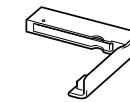
The upper position where ON indication is shown is the ON position . The lower position is the OFF position.

No.	1	2	3	4	5	6	7	8
ON/OFF	0	0	1	0	0	1	1	1

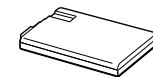
0 : ON 1: OFF

Ref.No.	Part No.	Description
		ACCESSORIES *****
701	A-8048-965-A	ASSY WEIGHT SAVER (Z) (Refer to P.5-4)
△ 702	1-476-342-22	ADAPTOR, AC (FX877)...
703	1-528-935-22	BATTERY PACK, LITHIUM ION (FX777)...
703	1-756-147-12	BATTERY PACK, LITHIUM ION (FX777)...
704	1-575-875-51	CORD, CONNECTION
△	1-757-562-21	CORD, POWER
	4-658-864-11	SPEC SHEET, FX (LATIN)
	4-658-869-11	QUICK START, FX (LATIN)

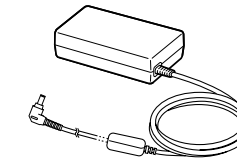
**701**  
Weight saver (1)



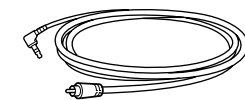
**703**  
Battery pack (1)



**702**  
AC adaptor (1)



**704**  
Video cable (1)

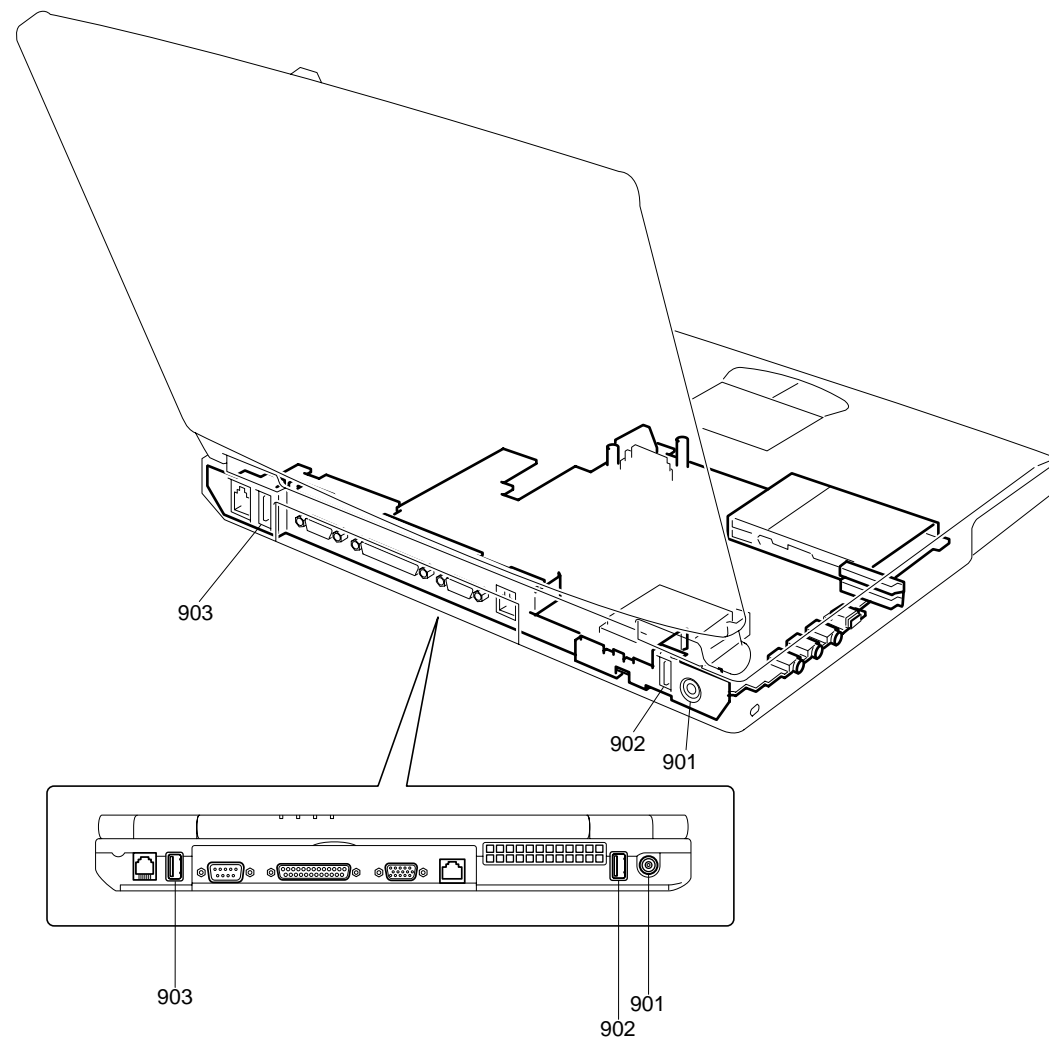
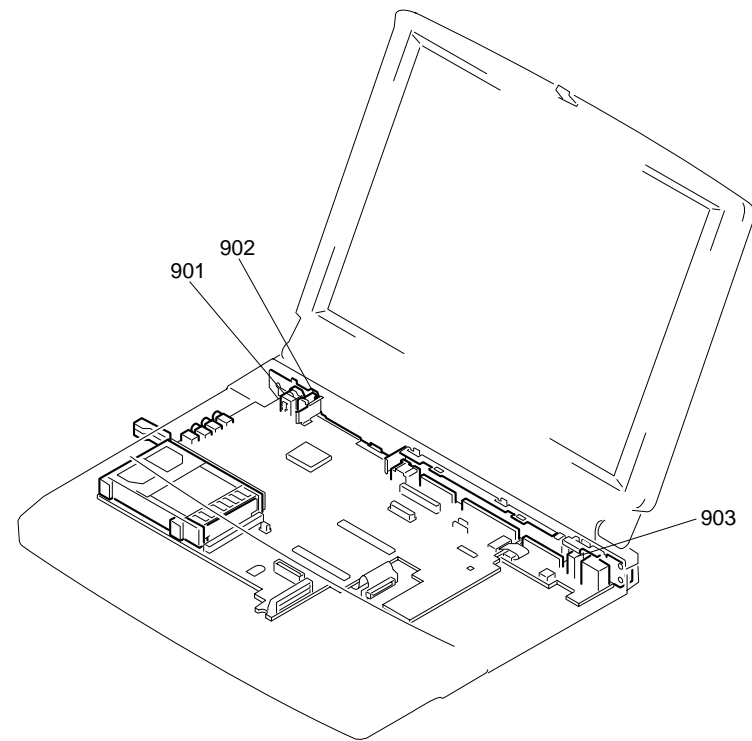


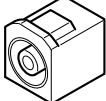
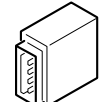
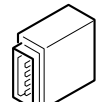
The components identified by mark △ or dotted line with mark △ are critical for safety. Replace only with part number specified.

Les composants identifiés par une marque △ sont critiques pour la sécurité. Ne les remplacer que par une pièce portant le numéro spécifié.



## 5-5. Connector Section (CH Type Only)



Ref.No.	Fig.	Part No.	Description
901		1-779-745-21	[CH]...JACK, DC DC IN connector
902		1-815-422-12	[CH]...USB CONNECTOR (VERTICAL) USB connector
903		1-815-221-22	[CH]...CONNECTOR, USB (VERTICAL) USB connector

\* Among the parts that are used on the boards of this model, only the connectors that are show in the list can be replaced.  
(The parts other that the specified connectors cannot be replaced.)

MEMO

MEMO

**SONY**

# ***Notebook VAIO®*** ***Introducción rápida***

**PCG-FX677/FX777/FX877**

**¡IMPORTANTE!**

Por favor lea detalladamente este manual de instrucciones antes de conectar y operar este equipo. Recuerde que un mal uso de su aparato podría anular la garantía.



# Indice

<b><i>Bienvenido</i></b> .....	<b>5</b>
Características .....	5
Cómo desembalar la notebook .....	7
Registro de la notebook.....	9
<b><i>Configuración de la notebook VAIO</i></b> .....	<b>11</b>
Localización de controles y puertos .....	12
Conexión a una fuente de alimentación .....	17
Inicio de la notebook.....	24
Apagado de la notebook.....	26
Modos de ahorro de energía .....	27
<b><i>Ampliación de la memoria de su notebook VAIO</i></b> .....	<b>29</b>
Precauciones y procedimientos .....	30
Para extraer un módulo de memoria .....	32
Instalación del módulo de memoria. ....	34
Visualización de la cantidad de memoria.....	36
<b><i>Acerca del software incluido en la notebook</i></b> .....	<b>37</b>
Descripción general del software .....	38

Discos compactos de recuperación de aplicaciones y sistema..... 42  
Recuperación del sistema..... 43

**Resolución de problemas ..... 47**

Resolución de problemas de la notebook ..... 48  
Resolución de problemas de la pantalla LCD..... 52  
Resolución de problemas del mouse y del panel táctil..... 54  
Resolución de problemas de unidades, tarjetas de PC y dispositivos periféricos ..... 56  
Resolución de problemas de software ..... 59  
Resolución de problemas del módem ..... 61  
Resolución de problemas de sonido..... 62  
Resolución de problemas de la impresora ..... 63

**Cómo obtener ayuda ..... 65**


Opciones de soporte..... 66  
Información de soporte de software..... 67

**Index..... 69**

# Bienvenido

*Felicitaciones por la compra de la Notebook todo en uno VAIO® de Sony. Sony ha combinado tecnología de punta en audio, vídeo, informática y comunicaciones con el objeto de presentarle una computadora personal de vanguardia.*

## Características

 Para obtener una descripción completa de las especificaciones de su notebook VAIO®, consulte el impreso de especificaciones provisto con la notebook.

- ❑ **Rendimiento excepcional** — Su notebook incluye un procesador Intel®\* que incorpora la tecnología más moderna, así como un módem compatible V.90/K56flex.†

Para optimizar el rendimiento y portabilidad, Sony ha implementado la tecnología de control de velocidad diseñada para maximizar la vida de la batería durante el uso en movimiento de la computadora. Windows® informó que es posible que la velocidad real del CPU no refleje la velocidad máxima.‡

- ❑ **Portabilidad** — El paquete de baterías recargables proporciona horas de uso sin conexión a la red eléctrica.
- ❑ **Calidad Sony en audio y vídeo** — Vídeo de alta calidad MPEG1/MPEG2, que admite visualización en pantalla completa y permite sacar el máximo partido de las aplicaciones multimedia, los juegos y el software de entretenimiento más avanzados de hoy en día.

---


\* La velocidad del CPU disminuirá bajo ciertas condiciones de operación .

† La velocidad real de carga y descarga de archivos puede variar según las condiciones de la línea, el proveedor de servicios de Internet (ISP) y la legislación gubernamental.

‡ Según el modelo específico que adquirió, puede que no exista tecnología de control de velocidad.



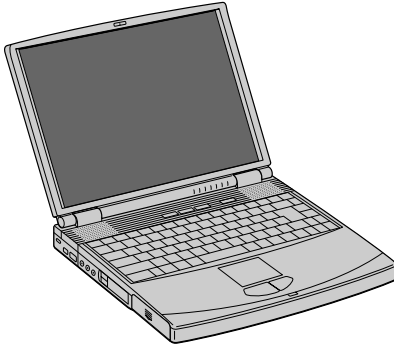
- ❑ **Características multimedia** — Disfrute de los altavoces estéreo o use auriculares (no incluidos) para escuchar CD de audio y vídeo.
- ❑ **Sistema operativo Windows® de Microsoft®** — Su sistema incluye la última versión del sistema operativo Windows® de Microsoft®.
- ❑ **Comunicaciones** — Acceda a los servicios en línea más conocidos, envíe mensajes de correo electrónico, navegue por Internet y utilice las funciones de fax.
- ❑ **Unidad de disco óptico (CD-RW/DVD o DVD-ROM)** — La unidad combinada de CD-RW/DVD utiliza una nueva tecnología de almacenamiento óptico que combina las características de una unidad de CD-RW y de una unidad de DVD-ROM, lo cual da como resultado una mayor capacidad de almacenamiento junto con una experiencia multimedia más intensa. Las unidades ópticas reproducen discos DVD-ROM, CD-ROM, CD-RW y CD-R. (La unidad combinada CD-RW/DVD sólo está disponible con algunos modelos.)

 La unidad de disco óptico y otros componentes pueden variar según el modelo específico de notebook que haya adquirido.

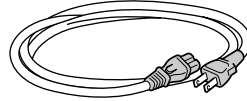
## Cómo desembalar la notebook

Extraiga de la caja los elementos de hardware siguientes:

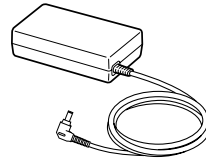
**Unidad principal\***



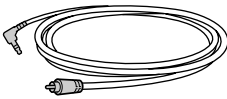
**Cable de alimentación**



**Adaptador de CA**



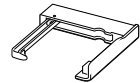
**Cable de vídeo**



**Paquete de  
baterías recargable**



**Protector de  
carga**



\* La unidad de disquete extraíble se encuentra en el compartimento multifunción.

## Documentos

- ❑ **Guía del usuario de la notebook VAIO®** — Un archivo de ayuda explorable en línea que contiene información detallada sobre el modo de uso de su nueva notebook. Vaya a Inicio, seleccione VAIO Help and Support (Soporte y ayuda de VAIO) y haga clic en la Guía del usuario VAIO para abrir este archivo.
- ❑ **Introducción rápida a la notebook VAIO®** — Contiene información sobre cómo desembalar y configurar la notebook, las características de la notebook, las aplicaciones incluidas en el sistema y cómo solucionar los problemas más comunes.

- ❑ **Guía Introducción de Windows® de Microsoft®** — Explica cómo utilizar las funciones básicas del último sistema operativo de Windows.
- ❑ **Información sobre seguridad** — Incluye notas sobre uso y ofrece consejos de seguridad.
- ❑ **Volante de especificaciones** — Detalla las especificaciones del hardware de la notebook.

### **CD de recuperación**

- ❑ **CD de recuperación de aplicaciones** — Este CD le permite volver a instalar aplicaciones individuales en caso de que se hayan dañado o borrado.
- ❑ **CD de recuperación del sistema** — Este CD le permite formatear la partición C:\ de la unidad de disco duro, volver a instalar luego el sistema operativo y el software que se entregó junto con su notebook, en caso de que se hubieran dañado o borrado.


### **Otros**

- ❑ Paquete con ofertas especiales de productos
- ❑ Tarjeta de garantía limitada

## **Registro de la notebook**

Disfrute de los beneficios del compromiso asumido por Sony de brindar una asistencia al cliente de calidad registrando su notebook:

- ❑ **Servicio al cliente de Sony** — Póngase en contacto con un representante de asistencia al cliente para resolver los problemas que se le presenten al utilizar su notebook.
- ❑ **Garantía limitada** — Proteja su inversión. Lea la tarjeta de garantía para obtener más detalles.

 Se le pide que registre su computadora la primera vez que enciende la unidad. Siga las instrucciones en pantalla para completar el proceso de registro. Si no puede registrar su computadora durante la primera sesión, se le ofrece la oportunidad de hacerlo en ocasiones posteriores.



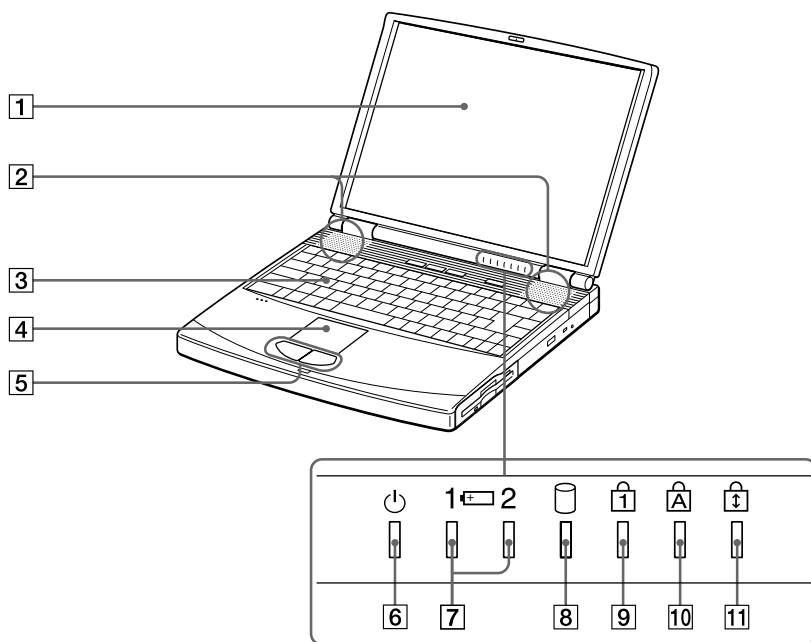
# *Configuración de la notebook VAIO*

*Esta sección describe lo siguiente:*

- Localización de controles y puertos
- Conexión a una fuente de alimentación
- Inicio de la notebook
- Apagado de la notebook
- Modos de ahorro de energía

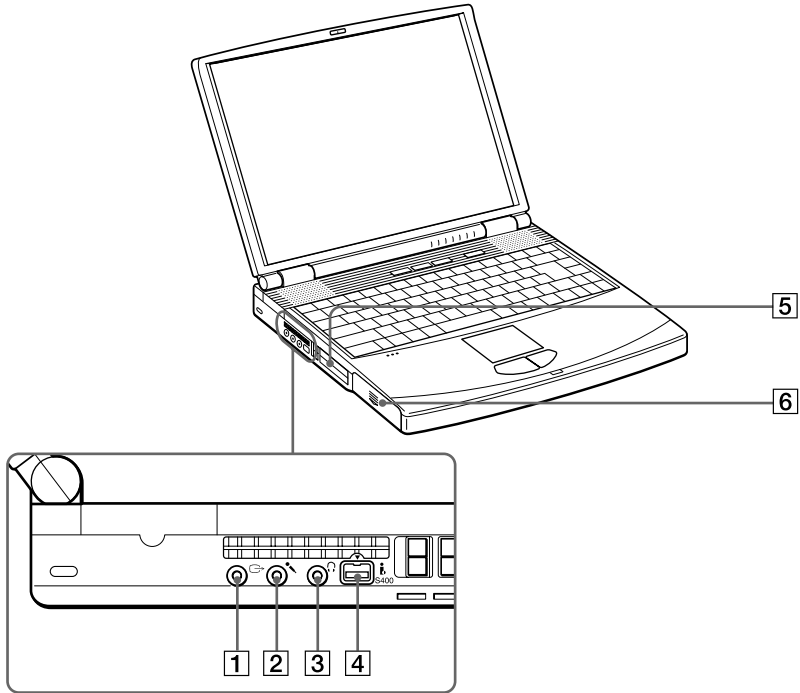
## Localización de controles y puertos




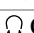
### Parte frontal



1	Pantalla LCD (pantalla de cristal líquido)	7	Indicadores de batería 1 y 2
2	Altavoces	8	Indicador de la unidad de disco duro
3	Teclado	9	Indicador Bloq Num
4	Panel táctil	10	Indicador Bloq Mayús
5	Botones izquierdo y derecho	11	Indicador Bloqueo Despl
6	Indicador de encendido		

**Izquierda**

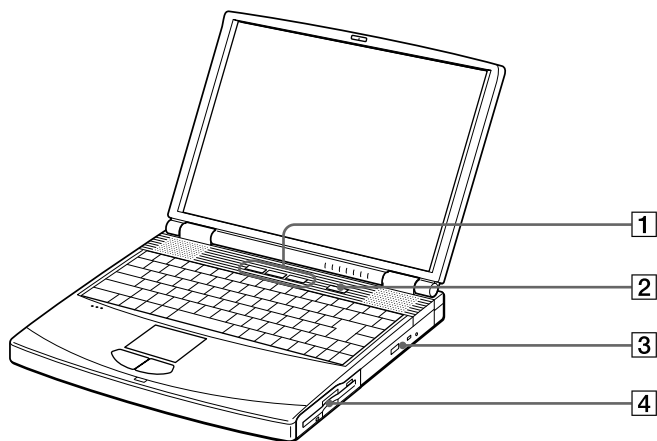


<b>1</b>	 Conector de salida de TV	<b>4</b>	 Puerto i.LINK® (IEEE1394) S400*
<b>2</b>	 Conector de micrófono	<b>5</b>	Ranura para tarjetas de PC
<b>3</b>	 Conector de auriculares	<b>6</b>	Compartimento de baterías

\* i.LINK es una marca comercial de Sony que se utiliza únicamente para indicar que un producto contiene un conector IEEE1394. La conexión i.LINK puede variar, según cuáles sean las aplicaciones de software, el sistema operativo y los dispositivos compatibles con i.LINK. No todos los productos con un conector i.LINK pueden comunicarse entre sí. Consulte la documentación original del dispositivo compatible con i.LINK si desea información sobre las condiciones de operación y la conexión. Antes de conectar dispositivos periféricos compatibles con i.LINK a su sistema –por ejemplo, una unidad de CD-RW o de disco duro– confirme su compatibilidad con el sistema operativo y las condiciones de funcionamiento exigidas.



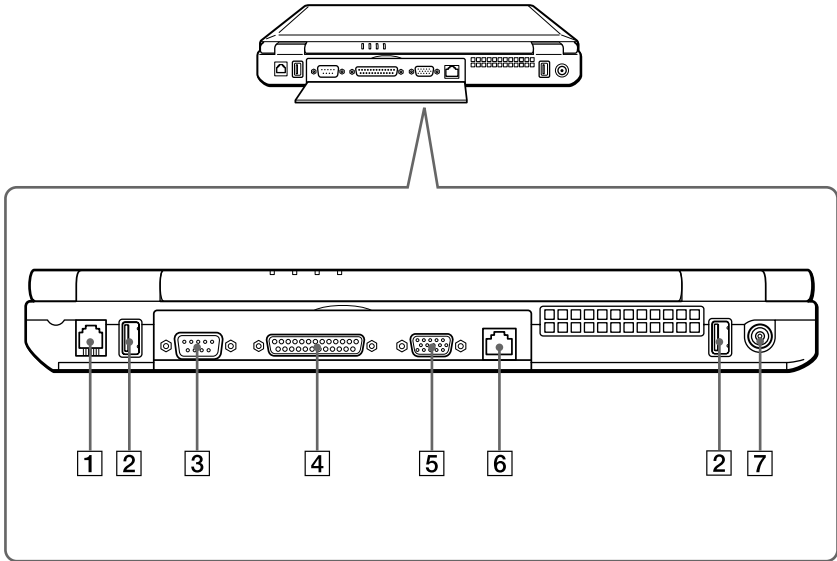
**Derecha**



- 
- |          |   |
|----------|---|
| <b>1</b> | Botones PPK   |
| <b>2</b> | Botón de encendido  |
| <b>3</b> | Unidad óptica (Unidad combinada de CD-RW/DVD o unidad de DVD-ROM *) |
| <b>4</b> | Compartimento multifunción  |
- 

\* El tipo de unidad óptica varía según el modelo específico que usted haya adquirido.

**Parte posterior**



1	Puerto de módem	5	□ Puerto de monitor
2	ψ Puertos USB	6	⏏ Puerto Ethernet
3	Puerto serie	7	⎓ Puerto de entrada CC
4	Puerto de impresora		

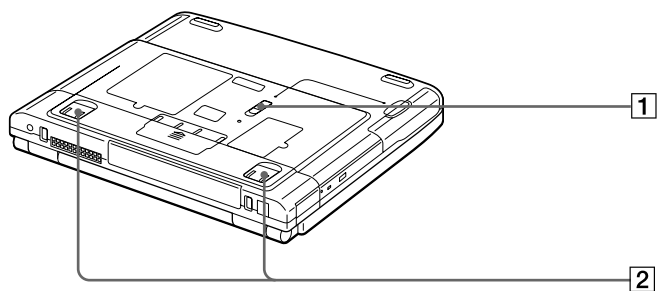


**Conecte únicamente cables 10BASE-T y 100BASE-TX al puerto Ethernet. No conecte ningún otro tipo de cable de red ni ninguna línea de teléfono. Si conecta cables distintos de los indicados se puede producir una sobrecarga de corriente eléctrica que ocasione un fallo, calor excesivo o quemar el puerto. Para conectar la unidad a la red, póngase en contacto con el administrador de la red.**



Existe una ranura de ventilación situada entre el puerto Ethernet y el puerto USB CC. No cubra la ranura de ventilación cuando la notebook está encendida.

**Parte inferior**



- 
- |          |  |
|----------|--|
| <b>1</b> | Palanca de liberación del compartimento multifunción |
| <b>2</b> | Soportes de inclinación                              |
-

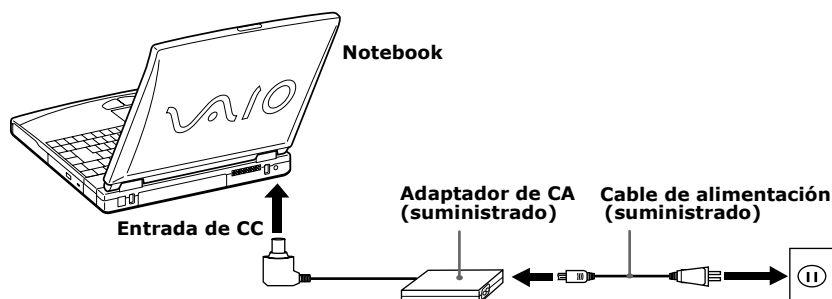
## Conexión a una fuente de alimentación

Puede utilizar como fuente de alimentación una toma de CA o un paquete de baterías recargable.

### Uso del adaptador de CA

- 1 Enchufe el cable conectado al adaptador de CA en el puerto de entrada de CC de la notebook.
- 2 Enchufe un extremo del cable de alimentación en el adaptador de CA.
- 3 Enchufe el otro extremo del cable de alimentación en la toma de CA.

### Conexión del adaptador de CA



### Notas acerca del adaptador de CA

- ❑ La notebook funciona a 100V-240V CA, 50/60 Hz.
- ❑ La notebook no debe compartir la toma de CA con otros equipos que consumen energía, tales como máquinas fotocopiantes o trituradoras de papel.
- ❑ Puede adquirir una regleta con un protector contra picos de tensión. Este dispositivo evita daños en la notebook causados por picos repentinos de tensión, como los que pueden producirse durante las tormentas eléctricas.
- ❑ No coloque objetos pesados sobre el cable de alimentación.
- ❑ Para desconectar el cable, tire de él tomándolo por el enchufe. No tire nunca del propio cable.

- ❑ Desenchufe la notebook de la toma de la pared si no va a utilizarla por un tiempo prolongado.
- ❑ Es posible que el indicador LED del adaptador de CA quede encendido hasta que se desenchufe el adaptador de la notebook.
- ❑ Cuando no esté utilizando el adaptador de CA, desenchúfelo de la toma de la pared.
- ❑ Utilice sólo el adaptador de CA suministrado. No utilice ningún otro adaptador de CA.


### **Uso de la alimentación por batería**

Puede utilizar uno o dos paquetes de baterías como fuente de alimentación. El segundo paquete de baterías se inserta en el compartimento multifunción situado en el lado derecho de la notebook. (Consulte “Uso de un paquete de baterías secundario” en la Guía del usuario en línea para obtener más información.) Como opción, están disponibles paquetes de baterías adicionales.

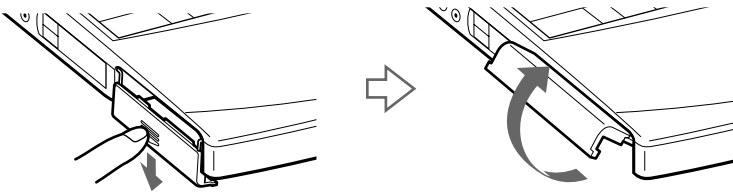
El paquete de baterías que se incluye con la notebook no está totalmente cargado en el momento de la adquisición. Siga los pasos que se indican a continuación para insertar y cargar el paquete de baterías.

### **Para insertar el paquete de baterías**

- 1 Busque el compartimento de baterías del lado izquierdo de la notebook y presione la tapa para abrirlo.

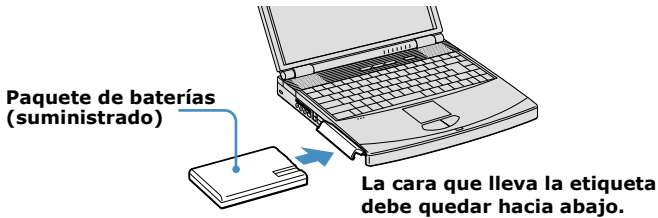
 La tapa se abre hacia afuera sin desprenderse.

### **Compartimento de baterías**




- 2 Inserte el paquete de baterías en el compartimento de baterías.

### ***Inserción del paquete de baterías***



- 3 Presione la tapa del compartimento de baterías hasta que se oiga un clic.


 Si el duplicador de puertos está adosado a la notebook, no intente insertar ni extraer el paquete de baterías. Si se levanta y se gira la notebook con un duplicador de puerto conectado, podría producirse una pérdida de alimentación temporal.

### ***Para cargar el paquete de baterías***

- 1 Conecte el adaptador de CA a la notebook.
- 2 Inserte el paquete de baterías

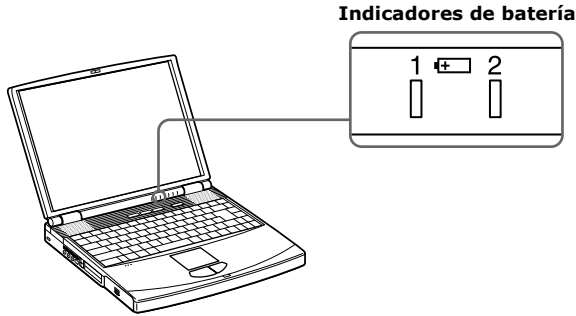
La notebook carga la batería en forma automática. El indicador de batería se enciende intermitentemente con un parpadeo doble mientras se carga la batería.

- 3 Cuando la batería está cargada al 85%, el indicador de batería se apaga. Si la notebook está encendida, el proceso lleva 1,5 hora.

 Para cargar la batería completamente, continúe cargando durante una hora más. Consulte "Visualización de información sobre baterías" en la Guía del usuario en línea para obtener más información.

**Hay dos indicadores de batería en la notebook.**

**Indicadores de baterías**



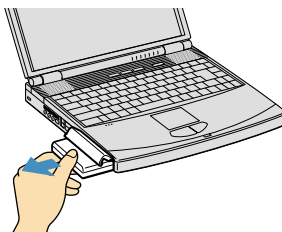
<b>Indicador de batería</b>	<b>Descripción</b>
1	Indica el estado del paquete de baterías situado en el compartimento de baterías del lado izquierdo de la notebook.
2	Indica el estado del paquete de baterías situado en el compartimento multifunción del lado derecho de la notebook.

<b>Estado del indicador luminoso de batería</b>	<b>Descripción</b>
Encendido	La notebook está utilizando alimentación por batería.
Parpadeo sencillo	La batería se está agotando.
Parpadeo doble	La batería se está cargando.
Apagado	La notebook está utilizando alimentación de CA.

### **Para extraer el paquete de baterías**

- 1 Abra la tapa del compartimento de baterías.
- 2 Tire del paquete de baterías.

### **Extracción del paquete de baterías**



- 3 Presione la tapa del compartimento de baterías hasta que se oiga un clic.



**Si extrae el paquete de baterías mientras la notebook está encendida y no se encuentra conectada al adaptador de CA, o si extrae la batería cuando la notebook se encuentra en el modo de ahorro de energía, perderá datos.**

### **Notas acerca de la batería**

- ❑ Consulte “Visualización de información sobre baterías” en la Guía del usuario en línea para obtener información sobre la carga que resta en la batería.
- ❑ Cuando la batería se está agotando, parpadean ambos indicadores, el de batería y el de encendido.
- ❑ Cuando la notebook está conectada directamente a la alimentación de CA y tiene el paquete de baterías en el compartimento de batería, utiliza alimentación de la toma de CA.
- ❑ Consulte “Uso de un paquete de baterías secundario” en la Guía del usuario en línea para obtener información acerca de cómo instalar y cargar un paquete de baterías en el compartimento multifunción.



- ❑ Deje el paquete de baterías en la notebook cuando esté directamente conectada a la alimentación de CA. El paquete de batería sigue cargándose mientras está utilizando la notebook.
- ❑ Si el nivel de carga de la batería cae por debajo del 10%, deberá conectar el adaptador de CA para recargarla o apagar la notebook e insertar una batería totalmente cargada.
- ❑ Puede ampliar la vida útil de la batería cambiando los modos de administración de la alimentación en la utilidad PowerPanel. Consulte “Modos de ahorro de energía” en la página 27 si desea más información.
- ❑ El paquete de baterías suministrado con la notebook es de iones de litio y puede recargarse en cualquier momento. Cargar una batería parcialmente descargada no afecta la vida útil de la batería.
- ❑ El indicador de la batería está encendido cuando utiliza el paquete de baterías como fuente de alimentación. Cuando está a punto de agotarse la vida de la batería, comienza a parpadear el indicador de batería.
- ❑ Con algunas aplicaciones de software y algunos dispositivos periféricos, la notebook puede no entrar en el modo Hibernación cuando la carga de la batería está baja. Para evitar pérdida de datos al utilizar alimentación por batería, deberá guardar los datos con frecuencia y activar manualmente un modo de administración de energía, como Inactivo o Hibernación.
- ❑ No exponga nunca el paquete de baterías a temperaturas superiores a 140° F (60° C), como puede suceder bajo la luz solar directa o dentro de un coche aparcado al sol.
- ❑ La vida de la batería es más corta en un ambiente frío. Esto se debe a que el rendimiento de las baterías disminuye a temperaturas bajas.
- ❑ Cargue las baterías a temperaturas comprendidas entre 50° F y 80° F (10° C y 30° C). Las temperaturas más bajas exigen mayor tiempo de carga.
- ❑ Mientras la batería está en uso o se está descargando, el paquete de baterías aumenta de temperatura. Esto es normal y no es motivo para preocuparse.
- ❑ Mantenga el paquete de baterías alejado de fuentes de calor.
- ❑ Mantenga seco el paquete de baterías.
- ❑ No abra ni trate de desmontar el paquete de baterías.

- ❑ No exponga el paquete de baterías a ningún choque mecánico.
- ❑ Si no va a utilizar la notebook durante un período prolongado, extraiga el paquete de baterías para evitar que se dañe.
- ❑ Si después de cargar totalmente el paquete de baterías, el nivel de carga de la batería sigue bajo, puede ser que esté llegando al final de su vida útil y deba ser sustituido.
- ❑ No necesita descargar la batería antes de recargarla.
- ❑ Si no ha utilizado el paquete de baterías por un período de tiempo considerable, vuelva a cargarlo.

## Inicio de la notebook

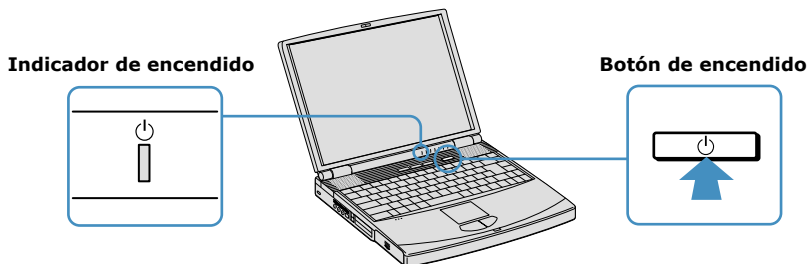
- 1 Deslice la palanca de bloqueo de la pantalla LCD en la dirección de la flecha y levante la tapa.

### Apertura de la notebook



- 2 Pulse el botón de encendido situado en la parte superior de la notebook hasta que se encienda el indicador de encendido (color verde).

### Botón de encendido



 Si mantiene el botón de encendido en la posición de encendido durante más de cuatro segundos, la notebook se apaga.

- 3** Si fuera necesario, ajuste los controles de brillo para la pantalla LCD de la siguiente manera:
- Para disminuir el brillo, pulse Fn+F5 y, a continuación, la tecla de flechas hacia abajo o hacia la izquierda.
  - Para aumentar el brillo, pulse Fn+F5 y, a continuación, la tecla de flechas hacia arriba o hacia la derecha.

## Apagado de la notebook



**Para evitar posibles pérdidas de datos, siga estos pasos para apagar la notebook.**

- 1 Haga clic en Inicio en la barra de tareas de Windows®.
- 2 Haga clic en Apagar en la parte inferior del menú Inicio para mostrar el cuadro de diálogo Apagar el sistema.
- 3 Seleccione Apagar.



Responda a cualquier mensaje que le indique que debe guardar los documentos.

- 4 Espere hasta que la notebook se apague automáticamente. La notebook está apagada cuando el indicador de encendido se apaga.
- 5 Apague todos los dispositivos periféricos conectados a la notebook.



Durante un período de inactividad, puede prolongar la vida de la batería utilizando el modo Inactivo. Consulte “Control de la administración de energía” en la Guía del usuario en línea para obtener más información.

### **Si no puede apagar la notebook:**


- 1 Cierre o finalice todas las operaciones según se indica a continuación:
  - Cierre todas las aplicaciones.
  - Extraiga las tarjetas de PC.
  - Desconecte todos los dispositivos USB.
- 2 Reinicie la notebook. Puede reiniciar la notebook pulsando las teclas Ctrl+Alt+Supr en forma simultánea.



Si sigue sin poder apagar la notebook, puede pulsar el botón de encendido y mantenerlo pulsado más de cuatro segundos. Esta operación puede provocar la pérdida de datos.

## **Modos de ahorro de energía**

Cuando utilice una batería como fuente de alimentación para la notebook, puede recurrir a la función de administración de energía para prolongar la duración de la batería. Además del modo de funcionamiento normal, que permite desconectar dispositivos específicos, la notebook tiene dos modos diferentes de ahorro de energía: Inactivo e Hibernación. Cuando utilice alimentación por batería, tenga en cuenta que la notebook entra automáticamente en modo Hibernación cuando la carga de la batería está por debajo del 5%, independientemente del modo de administración de energía seleccionado.

 Si el nivel de carga de la batería cae por debajo del 10%, deberá conectar el adaptador de CA para recargarla o apagar la notebook e insertar una batería totalmente cargada.

### **Modo normal**

El modo normal es el estado en que normalmente se usa la notebook. El indicador de encendido tiene color verde cuando la notebook está en este modo. Para ahorrar energía, puede apagar un dispositivo específico como la pantalla LCD o el disco duro.

### **Modo Inactivo**

En el modo Inactivo, la notebook guarda el estado actual del sistema en la memoria RAM y desconecta la alimentación a la CPU. En este modo, la luz de color ámbar del indicador de encendido parpadea.

### **Para activar el modo Inactivo**

Para activar el modo Inactivo, pulse la combinación de teclas Fn+Esc. También puede usar la utilidad PowerPanel para entrar en el modo Inactivo.

### **Para volver al modo normal**


Pulse cualquier tecla para volver al modo normal.

### **Modo Hibernación**

En el modo Hibernación, el estado del sistema se guarda en la unidad de disco duro y se desactiva la alimentación. El indicador de encendido queda apagado.


### **Para activar el modo Hibernación**

Para activar el modo Hibernación, pulse la combinación de teclas Fn+F12, o pulse el botón de encendido y suéltelo inmediatamente.

 No mueva la notebook hasta que el indicador de encendido se apague.

### **Para volver al modo normal**

Para volver al modo normal, encienda la notebook pulsando el botón de encendido. La notebook vuelve a su estado anterior.

 Cuando se vuelve del modo Hibernación, el estado del sistema almacenado en el disco duro se borra y la notebook inicia su funcionamiento normalmente si se pulsa el botón de encendido durante más de cuatro segundos.

- Tiempo necesario para volver al modo normal  
Se tarda menos en volver al modo normal del modo Inactivo que del modo Hibernación.
- Consumo energético  
En el modo Inactivo se consume más energía que en el modo Hibernación.

# *Ampliación de la memoria de su notebook VAIO*

*Es posible que más adelante desee instalar módulos de memoria para ampliar las funciones de su notebook. La cantidad de memoria con que contará su notebook dependerá del modelo que haya adquirido. Consulte la hoja de especificaciones provisto con la computadora para averiguar la cantidad de memoria preinstalada. Los módulos de ampliación de memoria están disponibles como opción. Para ampliar la memoria, use exclusivamente módulos PC100(CL2) SDRAM SO-DIMM (contactos de plomo dorados). Esta sección describe los pasos necesarios para reemplazar módulos de memoria en su computadora.*

- Precauciones y procedimientos
- Para extraer un módulo de memoria
- Instalación del módulo de memoria.
- Visualización de la cantidad de memoria



## Precauciones y procedimientos

Los procedimientos descritos a continuación presuponen que el usuario está familiarizado con la terminología general asociada con las computadoras personales, así como con las prácticas de seguridad habituales requeridas para el uso y modificación de equipos electrónicos. Podrían producirse lesiones personales o daños en el equipo si no se toman estas precauciones.




**Al instalar módulos de memoria en su notebook, tome las precauciones de seguridad que correspondan. Consulte la lista incluida a continuación. Cuando agregue módulos de memoria, sea cuidadoso: los errores cometidos al instalar o retirar un módulo pueden ser causas de fallos.**

- ❑ Desconecte el sistema de la fuente de alimentación y de todos los enlaces de telecomunicaciones, redes o módems antes de abrir el sistema.
- ❑ Las descargas electrostáticas (ESD) pueden dañar los módulos de memoria y otros componentes. Lleve a cabo los procedimientos que se describen a continuación sólo en un puesto de trabajo ESD. Si no está disponible un puesto de este tipo, no trabaje en una zona con moqueta ni manipule materiales que produzcan o retengan electricidad estática (envoltorios de celofán, por ejemplo). Conéctese a tierra manteniendo contacto con una parte metálica del chasis que no esté pintada mientras lleva a cabo el procedimiento.
- ❑ No abra el paquete del módulo de memoria hasta que esté preparado para instalar el módulo. El embalaje protege el módulo de las descargas electrostáticas.
- ❑ Use la bolsa especial para evitar las descargas electrostáticas o utilice papel de aluminio cuando almacene el módulo de memoria.

## Configuración típica de ampliación de memoria

Para determinar la cantidad exacta de memoria preinstalada en su computadora, consulte el volante de Especificaciones provisto con la notebook.

 Según el modelo específico que haya adquirido, puede que se haya instalado previamente un sólo módulo de memoria de 256 MB o dos de 128 MB.

### Modelos con 128 MB de memoria

#### Memoria total del sistema

<i>(MB)</i>	<i>Ranura 1 (MB)</i>	<i>Ranura 2 (MB)</i>
128	128	
192	128	64
256	128	128
384*	256	128
512*	256	256

\* Las configuraciones de 384 MB y 512 MB de memoria pueden hacer necesario extraer y reemplazar los módulos de memoria originales instalados en fábrica.

### Modelos con 256 MB de memoria

#### Memoria total del sistema

<i>(MB)</i>	<i>Ranura 1 (MB)</i>	<i>Ranura 2 (MB)</i>
256*	256	
384†	256	128
512†	256	256

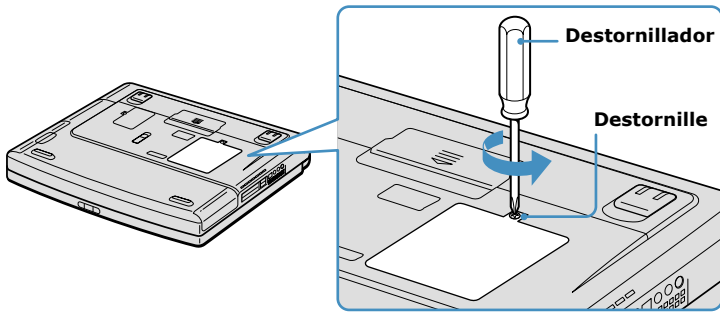
\* Según el modelo específico que adquirió, puede que se haya instalado previamente un módulo de memoria de 256 MB o uno de 128 MB.

† Las configuraciones de 384 MB y 512 MB de memoria pueden hacer necesario extraer y reemplazar los módulos de memoria originales instalados en fábrica.

## Para extraer un módulo de memoria

- 1 Apague la notebook y desconecte todos los dispositivos periféricos, como la impresora.
- 2 Desenchufe la notebook y retire los paquetes de baterías.
- 3 Cuando la computadora se enfríe, afloje y extraiga el tornillo que fija la tapa del compartimento de memoria ubicada en la cara inferior de la notebook. Use un destornillador adecuado.

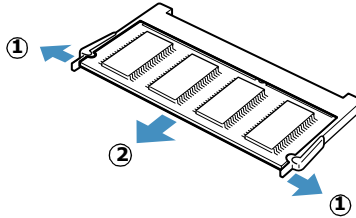
### Extracción de la tapa del módulo de memoria



- 4 Toque un objeto metálico (por ejemplo, el panel de conectores de la parte posterior de la notebook) para descargar la electricidad estática.

5 Extraiga el módulo de memoria.

**Extracción del módulo de memoria**



① Tire de las lengüetas en la dirección de las flechas. El módulo de memoria ya está suelto.

② Tire del módulo de memoria en la dirección de la flecha.

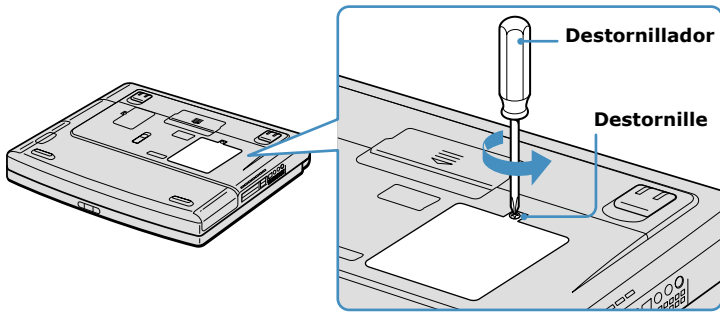
6 Vuelva a colocar la tapa del compartimento de memoria.

7 Apriete el tornillo de la tapa.

## **Instalación del módulo de memoria.**

- 1 Apague la notebook y desconecte todos los dispositivos periféricos, como la impresora.
- 2 Desenchufe la notebook y retire los paquetes de baterías.
- 3 Cuando la computadora se enfríe, afloje y extraiga el tornillo que fija la tapa del compartimento de memoria ubicada en la cara inferior de la notebook. Use un destornillador adecuado.

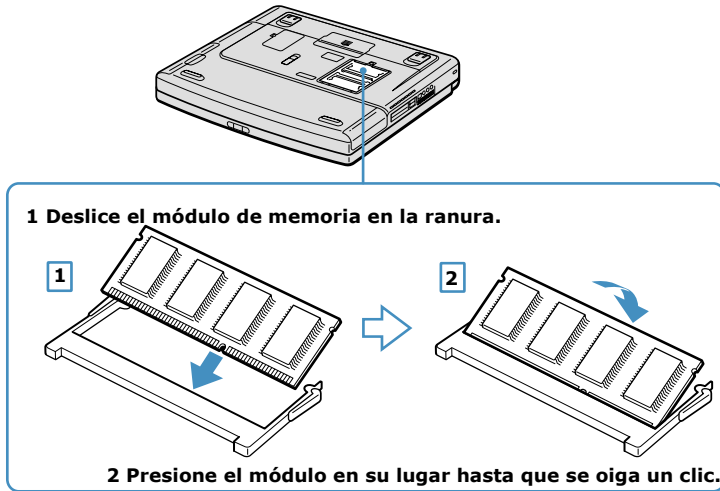
### **Extracción de la tapa del módulo de memoria**



- 4 Toque un objeto metálico (por ejemplo, el panel de conectores de la parte posterior de la notebook) para descargar la electricidad estática.
- 5 Extraiga el módulo de memoria de su embalaje.
- 6 Deslice el módulo de memoria en la ranura vacía

- 7 Presione el módulo en su lugar hasta que se oiga un clic.


**Instalación del módulo de memoria**



- 8 Vuelva a colocar la tapa del compartimento de memoria.
- 9 Apriete el tornillo de la tapa.

## **Visualización de la cantidad de memoria**

- 1** Reinicie la notebook.
- 2** Haga clic en la barra de tareas de Windows®, seleccione Soporte y Ayuda, y haga clic en "Sony Notebook Setup" (Configuración de la notebook de Sony). Aparecerá la pantalla Sony Notebook Setup (Configuración de la notebook de Sony).
- 3** Haga clic en la ficha "About This Computer" (Acerca de esta computadora) para ver la cantidad de memoria del sistema. Si no apareciera la memoria agregada, repita los pasos descritos anteriormente.

 La cantidad de memoria que se muestra en la pantalla Sony Notebook Setup (Configuración de la notebook de Sony) no siempre es la correcta. El adaptador de vídeo utiliza parte de la memoria del sistema, y esa cantidad de memoria no aparece como parte de la memoria total que se muestra en la pantalla Sony Notebook Setup (Configuración de la notebook de Sony).

# *Acerca del software incluido en la notebook*

*La notebook VAIO® está preparada para ayudarle a trabajar, jugar, aprender y comunicarse en cuanto usted la enciende. En esta sección, encontrará la siguiente información:*

- ❑ Una descripción general de los diversos sistemas de software que acompañan la notebook y de las actividades que puede llevar a cabo con ellos
- ❑ Información detallada sobre los discos compactos de recuperación de aplicaciones, controladores y sistema de Sony.



## **Descripción general del software**

Dependiendo de la configuración que haya comprado, es posible que en su computadora no estén instaladas todas las aplicaciones de software que se mencionan a continuación.

### **Adobe Acrobat® Reader™**

*Adobe Systems Inc.*

El software Acrobat Reader permite ver, navegar e imprimir documentos electrónicos en formato PDF (Adobe Portable Document Format), un formato de archivo abierto que sirve para preservar la fidelidad de los documentos creados en todas las plataformas informáticas más importantes.

### **QuickTime™**

*Apple Computer Inc.*

QuickTime es la tecnología de Apple que da vida a los vídeos, al sonido, la música, las imágenes tridimensionales y la realidad virtual cuando se utiliza el explorador de Internet y Windows.

### **DigitalPrint**

*Sony Electronics Inc.*

Este software para gestión de imágenes vuelve fácil y divertida la tarea de editar, importar y organizar las fotografías digitales en un álbum fotográfico que le permitirá lograr una impresión digital de calidad con cualquier impresora en color láser o de chorro de tinta. DigitalPrint también puede utilizarse para hacer etiquetas de CD personalizadas para sus discos compactos de audio.

### **DVgate™**

*Sony Electronics Inc.*

Conecte una grabadora de vídeo digital al conector i.LINK®\* y grabe sus propios clips de vídeo e imágenes fijas. Puede editar clips de su vídeo, añadir otros y combinar clips en nuevos segmentos de película. También puede guardar sus imágenes en diversos formatos de archivo conocidos.

### **Internet Explorer de Microsoft®**

*Microsoft Corp.*

Internet Explorer pone Internet a su alcance justo como usted desea. Es seguro, fácil de utilizar y permite personalizar la forma de acceso a la Red. Outlook Express y otras herramientas de Internet Explorer también constituyen elementos que mejoran su experiencia a la hora de utilizar la Red.

### **MovieShaker™**

*Sony Electronics Inc.*

El software MovieShaker original de Sony crea películas personales que tienen transiciones, música de fondo y texto. Sólo tiene que importar clips de vídeo y “agitar” con un clic del mouse. Las películas personales son de fácil creación y resultan divertidas para compartir con la familia y los amigos.

### **Norton AntiVirus™ (Sólo en algunos modelos)**

*Symantec Corporation*

Norton AntiVirus le proporciona seguridad en lo que atañe a sus comunicaciones por Internet y por correo electrónico. Este potente software antivirus trabaja en segundo plano para proteger permanentemente su computadora, explorando los archivos que descarga de la Red y los que recibe como adjuntos de mensajes de correo electrónico. Cada vez que usted se conecta a Internet, Norton Antivirus actualiza las definiciones de virus para darle protección automática hoy y siempre.

---

\* i.LINK es una marca comercial de Sony que se utiliza únicamente para indicar que un producto contiene un conector IEEE1394. La conexión i.LINK puede variar, según cuáles sean las aplicaciones de software, el sistema operativo y los dispositivos compatibles con i.LINK. No todos los productos con un conector i.LINK pueden comunicarse entre sí. Consulte la documentación original del dispositivo compatible con i.LINK si desea información sobre las condiciones de operación y la conexión. Antes de conectar dispositivos periféricos compatibles con i.LINK a su sistema –por ejemplo, una unidad de CD-RW o de disco duro– confirme su compatibilidad con el sistema operativo y las condiciones de funcionamiento exigidas.

## **PictureGear™**


*Sony Electronics Inc.*

Este software de gestión de imágenes muestra imágenes almacenadas en el disco duro, de una cámara fija digital de Sony o de una cámara Sony Mavica®. Las imágenes aparecen en un formato práctico, para que pueda verse fácilmente el contenido de una carpeta completa.

## **RealJukebox**

*Real Networks Inc.*

RealJukebox es uno de los sistemas de gestión de archivos musicales más usado en el mundo. Con RealJukebox es posible grabar el contenido de un disco compacto de música, administrar y reproducir los archivos y ver información relacionada con la música a través de Internet. Este programa RealJukebox instalado en su computadora, desarrollado especialmente para Sony, brinda una integración total con una amplia gama de reproductores personales de audio Sony y ofrece links a las páginas de inicio Sony, donde encontrará productos y servicios.

 Si está utilizando una unidad de CD-ROM externa conectada a una tarjeta de PC, asegúrese de conectar la unidad externa antes de iniciar RealJukebox. Además, no desconecte la unidad de CD-ROM mientras esté utilizando RealJukebox. Cualquiera de las acciones mencionadas podría hacer que RealJukebox se cerrara en forma inapropiada.

## **RealPlayer®**

*Real Networks Inc.*

RealPlayer es el reproductor de vídeo y de sonido de RealNetworks que permite acceder a 2,500 estaciones de radio que ofrecen música, noticias y programas de deporte.

## **Smart Capture**

*Sony Electronics Inc.*

Smart Capture es una nueva y divertida manera de enviar mensajes multimedia por correo electrónico. Smart Capture gestiona la conexión i.LINK®\* entre la computadora y una cámara digital Handycam® de Sony que admite la interfaz i.LINK. Permite capturar imágenes de vídeo comprimidas o fijas que se pueden guardar o compartir a través del correo electrónico. Una solución inteligente que hace posible la convergencia de la computadora, el audio/vídeo digital y la red.

## **SonicStage**

*Sony Electronics Inc.*

Esta nueva aplicación agrega una gran cantidad de funciones nuevas a su predecesora, OpenMG™ Jukebox. Además de aprovechar las ventajas del formato desarrollado por Sony y protegido por copyright ATRAC3™ – que ofrece la posibilidad de almacenar archivos de sonido digital de alta calidad – SonicStage incorpora un nuevo Visualizador de Música, un reproductor de diseño elegante, capacidad de grabación a discos compactos y un ecualizador paramétrico para la sintonía fina a la hora de reproducir pistas de audio.

## **VAIO Action Setup**

*Sony Electronics Inc.*

VAIO Action Setup administra los valores de configuración para las teclas de método abreviado y la interfaz i.LINK de su notebook.

## **VisualFlow™**

*Sony Electronics Inc.*

El software VisualFlow es el navegador multimedia Sony de vanguardia, diseñado específicamente para los soportes Memory Stick®. Muestra cualquier archivo de imagen fija, película o sonido almacenado en un soporte Memory Stick® con una apariencia agradable y estética. El software VisualFlow no sólo reproduce la película o el archivo de sonido que usted seleccione, sino que además permite reproducirlos con otras aplicaciones, como PictureGear™, Memory Stick Slideshow y Windows® Explorer.

## **WinDVD®**

*InterVideo Inc.*

WinDVD es un reproductor de DVD de uso sencillo que ofrece todas las características que se espera encontrar en un reproductor de DVD corriente, pero además ofrece funciones avanzadas de visualización y navegación como zoom, paneo, marcadores y búsqueda cronológica.

---

\* i.LINK es una marca comercial de Sony que se utiliza únicamente para indicar que un producto contiene un conector IEEE1394. La conexión i.LINK puede variar, dependiendo de las aplicaciones de software, el sistema operativo y los dispositivos compatibles con i.LINK. No todos los productos con un conector i.LINK pueden comunicarse entre sí. Consulte la documentación original del dispositivo compatible con i.LINK si desea información sobre las condiciones de operación y la conexión. Antes de conectar dispositivos periféricos compatibles con i.LINK a su sistema –por ejemplo, una unidad de CD-RW o de disco duro– confirme su compatibilidad con el sistema operativo y las condiciones de funcionamiento exigidas.

## ***Discos compactos de recuperación de aplicaciones y sistema***

Su computadora cuenta con los siguientes discos compactos de recuperación de aplicaciones, controladores y sistema. Para usar los CD de recuperación, consulte “Recuperación del sistema” en la página 43 donde obtendrá más información.

### **CD Recovery (CD de recuperación de aplicaciones)**

*Sony Electronics Inc.*

Este CD le permite volver a instalar aplicaciones individuales en caso de que se hayan dañado o borrado.

### **CD System Recovery (CD de recuperación del sistema)**

*Sony Electronics Inc.*


Este CD le permite formatear la partición C:\ de la unidad de disco duro, y posteriormente volver a instalar el sistema operativo y el software que se entregó junto con su notebook, en caso de que se hubieran dañado o borrado. Utilícelo para restaurar el disco duro de la Notebook VAIO® que adquirió. El CD restablecerá el estado original del equipo, de modo que los datos de usuario y las aplicaciones se perderán.

## **Recuperación del sistema**

En las secciones siguientes se describe cómo utilizar las utilidades Application Recovery (Recuperación de aplicaciones) y System Recovery (Recuperación del sistema).


### **Para usar los CD Application Recovery (Recuperación del sistema)**

Los CD Application Recovery (Recuperación de aplicaciones) permiten instalar de nuevo aplicaciones individuales si están dañadas o se han borrado accidentalmente. Es posible que al volver a instalar un determinado software se corrija el problema que se haya presentado con la notebook y que, en consecuencia, no sea necesario volver a instalar todo el contenido del disco duro. Si es necesario instalar de nuevo todos los programas de software originales de la computadora, use el CD System Recovery (Recuperación del sistema). Consulte “Para usar los CD System Recovery (Recuperación del sistema)” en la página 44 si desea más información. Si tiene alguna pregunta acerca del uso del CD Application Recovery (Recuperación de aplicaciones), póngase en contacto con el Servicio al Cliente de Sony.

 El CD Application Recovery (Recuperación de aplicaciones) se debe ejecutar desde Windows®. Si tiene alguna pregunta acerca del uso del CD Application Recovery (Recuperación de aplicaciones), póngase en contacto con el Servicio al Cliente de Sony.

- 1 Encienda la notebook. Si la computadora ya está encendida, cierre todas las aplicaciones.
- 2 Cuando aparezca el escritorio de Windows, inserte el CD Application Recovery (Recuperación de aplicaciones) de Sony en la unidad de lectura óptica. La utilidad Application Recovery (Recuperación de aplicaciones) se carga automáticamente.

- 3 Cuando aparezca el menú Application Recovery (Recuperación de aplicaciones), seleccione el icono correspondiente a la aplicación que desea restaurar y, a continuación, siga las instrucciones que aparezcan en la pantalla para completar el proceso de recuperación.

 El sistema puede incluir uno o dos CD Application Recovery (Recuperación de aplicaciones). Si tiene dos CD Application Recovery (Recuperación de aplicaciones), inserte el primero para ejecutar el programa de recuperación de aplicaciones. Quizá el sistema le pida después que inserte el segundo CD, según cuál sea la aplicación que desea recuperar.

### **Para usar los CD System Recovery (Recuperación del sistema)**



**El CD restablecerá el estado original del equipo, de modo que los datos de usuario y las aplicaciones se perderán.**

Puede utilizar el CD System Recovery (Recuperación del sistema) para volver a instalar el sistema operativo y el software original de la notebook, en caso de que se hubieran dañado o borrado. Quizá no necesite volver a instalar el contenido completo del disco duro. Si detecta un problema en la computadora, el hecho de instalar de nuevo un controlador de dispositivo individual o un programa de software puede corregir el problema. Utilice el CD Application Recovery (Recuperación de aplicaciones) para volver a instalar aplicaciones específicas. Consulte “Para usar los CD Application Recovery (Recuperación del sistema)” en la página 43 si desea más información.

El CD System Recovery (Recuperación del sistema) contiene una copia de seguridad de todo el software instalado originalmente en el disco duro. Sólo puede utilizarse para recuperar el disco duro de la notebook que usted adquirió.

La utilidad System Recovery (Recuperación del sistema) llevará a cabo la función de restauración completa con formato. Esta función formatea el disco duro y, posteriormente, recupera todo el software original.



**La función Full Restore with Format (Recuperación completa con formateado) borra toda la información grabada en el disco duro. Se perderá todo el software que haya instalado y todos los archivos que haya creado desde que empezó a usar la computadora. Esto significa que tendrá que volver a instalar todas las aplicaciones que no venían con la computadora cuando la compró. Si tiene alguna pregunta acerca del uso del CD System Recovery (Recuperación del sistema), póngase en contacto con el Servicio al Cliente de Sony.**


- 1 Inserte el CD System Recovery (Recuperación del sistema) de Sony en la unidad de lectura óptica.
- 2 Apague la notebook siguiendo las explicaciones incluidas en la sección "Apagado de la notebook", de la Introducción rápida.
- 3 Espere cuatro segundos y vuelva a encenderla.
- 4 Haga clic en OK para indicar que ha leído y aceptado el Acuerdo de licencia de usuario final de Microsoft®
- 5 Cuando aparezca el menú System Recovery (Recuperación del sistema), siga las instrucciones que aparezcan en la pantalla para completar el proceso de recuperación.

***Si la computadora no se inicia con el CD de recuperación.***

- 1 Pulse el botón de encendido y manténgalo pulsado más de cuatro segundos para apagar la notebook.
- 2 Encienda la notebook. Cuando aparezca el logotipo de Sony, pulse la tecla F2. Aparecerá la pantalla del menú BIOS setup (configuración del BIOS).
- 3 Pulse las teclas con flechas para seleccionar el menú Exit (Salir).
- 4 Pulse las teclas con flechas para seleccionar la opción "Get Default Values" (Obtener valores predeterminados) y, a continuación, pulse la tecla Intro (Entrar). Aparecerá el mensaje "Load default configuration now?" (¿Cargar ahora la configuración predeterminada?).



- 5 Compruebe que esté seleccionada la opción “Yes” (Sí) y, a continuación, pulse la tecla Intro (Entrar).
- 6 Pulse las teclas de flechas para seleccionar “Exit” (Save Changes) (Salir y guardar cambios) y, a continuación, pulse la tecla Intro (Entrar). Aparecerá el mensaje “Save configuration changes and exit now?” (¿Guardar los cambios de configuración y salir ahora?).
- 7 Compruebe que esté seleccionada la opción “Yes” (Sí) y, a continuación, pulse la tecla Intro (Entrar). La computadora se reinicia desde el CD de recuperación.

 El sistema puede incluir uno o dos CD System Recovery (Recuperación del sistema). Si tiene dos CD System Recovery (Recuperación del sistema), inserte el primero para ejecutar el programa System Recovery (Recuperación del sistema). El sistema le pedirá que inserte el siguiente CD una vez instalada la información del anterior. El proceso de recuperación tarda entre 30 y 60 minutos.

Una vez recuperado el sistema mediante los CD System Recovery (Recuperación del sistema), se le pedirá que inserte el CD Application Recovery (Recuperación de la aplicación) después de reiniciar Windows. Inserte el CD Application Recovery (Recuperación aplicaciones) para completar automáticamente la recuperación del sistema.

# *Resolución de problemas*

*Esta sección describe cómo resolver problemas comunes que pueden presentarse cuando utilice la notebook. Muchos problemas tienen soluciones sencillas, así que intente resolverlos con las sugerencias que se exponen aquí antes de ponerse en contacto con el Servicio al Cliente PC de Sony (<http://vaio-online.sony.com>). Consulte las siguientes secciones:*

- Resolución de problemas de la notebook
- Resolución de problemas de la pantalla LCD
- Resolución de problemas del mouse y del panel táctil
- Resolución de problemas de unidades, tarjetas de PC y dispositivos periféricos
- Resolución de problemas de software
- Resolución de problemas del módem
- Resolución de problemas de sonido
- Resolución de problemas de la impresora

## **Resolución de problemas de la notebook**

### **La notebook no arranca.**

- ❑ Compruebe que la notebook esté enchufada a una fuente de alimentación y que esté encendida. Compruebe que el indicador de encendido del panel frontal de la notebook indique que está conectada la alimentación.
- ❑ Compruebe que los paquetes de baterías estén insertados correctamente y que estén cargados.
- ❑ Asegúrese de que no haya un disquete en la unidad lectora de disquetes.
- ❑ Confirme que el cable de alimentación y todos los cables estén enchufados como corresponde.
- ❑ Si enchufa la notebook a una regleta o una fuente de alimentación ininterrumpida (UPS), asegúrese de que la regleta o la UPS esté encendida y funcionando.
- ❑ Si está utilizando una pantalla externa, compruebe que esté enchufada a una fuente de alimentación y esté encendida. Compruebe que los controles de brillo y contraste estén ajustados correctamente. Consulte el manual original de la pantalla si desea más información.
- ❑ La condensación puede hacer que la notebook no funcione como corresponde. Si esto ocurriera, no use la computadora durante al menos una hora.
- ❑ Extraiga el paquete de baterías de la notebook, desenchufe el cable de alimentación y vuelva a enchufarlo; a continuación, conecte la alimentación.

### **La notebook arranca, pero aparece en la pantalla una indicación de error del BIOS.**

Cuando la batería de reserva interna tiene poca carga, puede ocurrir que no inicie el sistema correctamente. Aparecerá el mensaje “Press <F1> to resume, <F2> to setup” (Pulse F1 para reanudar y F2 para configurar) en la parte inferior de la pantalla. Siga los pasos siguientes:

- 1 Pulse F2 Aparecerá el menú BIOS Setup (Configuración del BIOS).
- 2 Ajuste la fecha (mes/día/año). Pulse Intro (Entrar).
- 3 Pulse ↓ para seleccionar System Time (Hora del sistema) y, a continuación, ajuste la hora (hora: minuto: segundo). Pulse Intro (Entrar).

- 4 Pulse → para seleccionar Exit (Salir), luego pulse ↓ para seleccionar Get Default Values (Obtener valores predeterminados). Aparecerá el mensaje “Load default configuration now?” (¿Cargar configuración predeterminada ahora?).
- 5 Seleccione “Yes” (Sí) y pulse Intro (Entrar).
- 6 Seleccione “Exit (Save Changes)” (Salir y guardar cambios) y, a continuación, pulse Intro (Entrar). Aparecerá el mensaje “Save Configuration changes and exit now?” (¿Guardar cambios de configuración y salir ahora?).
- 7 Seleccione “Yes” (Sí) y, a continuación, pulse Intro (Entrar). La notebook se reinicia.

***La notebook se inicia, pero aparece el mensaje “Operating system not found” (No se encuentra el sistema operativo) y Windows no se inicia.***

Asegúrese de que no haya un disquete en la unidad lectora de disquetes (que no sea de arranque).

- Si hay un disquete que no es de arranque en la unidad, siga estos pasos:
  - 1 Apague la notebook y luego extraiga el disquete.
  - 2 Reinicie la notebook y confirme que Windows se inicia como corresponde.
- Si Windows sigue sin iniciarse, siga los pasos que se indican a continuación para iniciar el BIOS:
  - 1 Extraiga cualquier disquete de la unidad lectora correspondiente.
  - 2 Apague la notebook.
  - 3 Retire cualquier dispositivo periférico conectado a la notebook.
  - 4 Vuelva a encender la notebook.
  - 5 Pulse la tecla F2 cuando aparezca el logotipo de Sony. Aparecerá la pantalla del menú BIOS Setup.
  - 6 Pulse las teclas de flecha para seleccionar el menú Exit (Salir).

- 7 Pulse las teclas de flechas para seleccionar “Get Default Values” (Obtener valores predeterminados) y, a continuación, pulse Intro. Aparecerá el mensaje “Load default configuration now?” (¿Cargar configuración predeterminada ahora?).
- 8 Seleccione “Yes” (Sí) y, a continuación, pulse Intro (Entrar).
- 9 Pulse las teclas de flecha para seleccionar “Exit (Save Changes)” (Salir y guardar cambios) y, a continuación, pulse Intro (Entrar). Aparecerá el mensaje “Save configuration changes and exit now?” (¿Guardar cambios en la configuración y salir ahora?).
- 10 Seleccione “Yes” (Sí) y, a continuación, pulse Intro (Entrar). La notebook se reinicia.

Si la computadora sigue mostrando el mensaje "Operating System not found" (No se encuentra el sistema operativo) y Windows no se inicia, utilice el CD System Recovery (Recuperación del sistema) provisto con el equipo para restaurar el sistema operativo y los programas de software originales. Consulte “Para usar los CD System Recovery (Recuperación del sistema)” en la página 44 si desea más información.




**El CD System Recovery (Recuperación del sistema) restablecerá el estado original del equipo, de modo que los datos de usuario y las aplicaciones que haya instalado con posterioridad a la adquisición de la notebook se perderán.**

### ***La notebook no responde o no se apaga***

Es mejor apagar la notebook usando el comando Apagar equipo del menú Inicio de Windows. El uso de otros métodos, incluidos los que figuran aquí, puede provocar la pérdida de datos no guardados.

- Intente reiniciar la notebook. En la barra de tareas de Windows, haga clic en Inicio, seleccione Apagar equipo y luego haga clic en Apagar.
- Si no pudiera reiniciar el equipo siguiendo los pasos descritos anteriormente, hágalo pulsando Ctrl+Alt+Supr en forma simultánea; luego, haga clic en Apagar en la ventana Seguridad de Windows.
- Si el paso anterior no funciona, pulse el botón de alimentación durante al menos cuatro segundos. Esto desconecta la alimentación.

- ❑ Si la notebook deja de responder mientras está reproduciendo un CD o un DVD, detenga el CD/DVD y reinicie la notebook pulsando Ctrl+Alt+Supr en forma simultánea, y luego Apagar en la ventana Seguridad de Windows.
- ❑ Desenchufe la notebook del adaptador de CA y extraiga el paquete de baterías.


 Pulsar Ctrl+Alt+Supr o apagar la notebook con el interruptor de encendido puede ocasionar la pérdida de datos de los archivos abiertos en ese momento.

### ***La configuración de la administración de energía no responde.***

El sistema operativo de la notebook puede desestabilizarse si se interrumpe o si usted intenta introducir cambios antes de que el equipo ingrese plenamente en un estado de bajo consumo energético, como por ejemplo el de hibernación.

Para recuperar la estabilidad operativa normal de la notebook:

- 1 Cierre todas las aplicaciones abiertas.
- 2 Reinicie la computadora pulsando Ctrl+Alt+Supr en forma simultánea, y seleccionando Reiniciar en la lista desplegable.

 Si este procedimiento no resulta, pulse el botón de encendido durante cuatro segundos o más para apagar la notebook.

### ***El sonido del ventilador de la notebook es demasiado fuerte.***

Use la utilidad PowerPanel™ para cambiar el ajuste Thermal Control Strategy (Estrategia del control térmico) a Quiet (Lento). Con este valor disminuye la velocidad de la CPU. Consulte la ayuda de PowerPanel si desea más información.

### ***¿Por qué es que el cuadro de diálogo Propiedades del sistema muestra una velocidad del CPU menor que la que se anuncia?***

Esto es normal. Dado que el CPU de su computadora utiliza un tipo de tecnología de control de velocidad del CPU, es posible que Propiedades del sistema muestre la velocidad actual en lugar de la máxima velocidad anunciada.

## **Resolución de problemas de la pantalla LCD**

### **La pantalla LCD está en blanco.**

- Compruebe que la notebook esté enchufada a una fuente de alimentación y que esté encendida.
- Compruebe que el indicador de encendido de la notebook esté encendido.
- Compruebe que el paquete de baterías esté insertado correctamente y cargado.
- La notebook puede estar en modo LCD (Vídeo) Inactivo. Pulse cualquier tecla para activar la pantalla.
- El modo de visualización puede estar definido como modo de pantalla externa. Pulse la tecla Fn al mismo tiempo que pulsa F7 varias veces.

### **La pantalla LCD sigue mostrando la pantalla anterior.**

Pulse la tecla Windows® y la tecla D dos veces para actualizar la pantalla.

### **La imagen de la pantalla externa conectada no está centrada o su tamaño no es correcto.**

Use los controles de la pantalla externa para ajustar la imagen. Consulte el manual original provisto con la pantalla si desea más información.

### **Deseo cambiar la resolución de vídeo de la pantalla.**

Siga el procedimiento que se describe a continuación para cambiar la resolución de vídeo de la pantalla:

- 1 Haga clic en Inicio, seleccione Panel de control y, a continuación, haga clic en el icono Pantalla.

Aparecerá el cuadro de diálogo Propiedades de pantalla.

- 2 Haga clic en la ficha Configuración.
- 3 Mueva la barra deslizante de área de la pantalla para cambiar la resolución de vídeo.

**No puedo cambiar la pantalla LCD al televisor y viceversa.**

- 1 Asegúrese de que el televisor esté conectado, configurado y enchufado a una fuente de alimentación antes de encender la computadora. Consulte “Conexión de una pantalla de TV” en la Guía del usuario de la notebook VAIO en línea si desea más información.
- 2 Extraiga el disco de vídeo DVD si se encuentra en la unidad óptica.



## **Resolución de problemas del mouse y del panel táctil**

### **El mouse no funciona.**

- ❑ Si está utilizando un mouse externo PS/2®, compruebe que se encuentre enchufado en el puerto de mouse. Consulte “Conexión del mouse de un teclado externo” en la Guía del usuario de la notebook VAIO en línea si desea más información.
- ❑ Si está utilizando un mouse opcional USB de Sony, compruebe que se encuentre enchufado en el puerto USB.
- ❑ Si todavía tuviera problemas, utilice el CD Application Recovery (Recuperación de aplicaciones) provisto con el equipo para reinstalar los controladores del mouse. Consulte “Recuperación del sistema” en la página 43 si desea más información.

### **El panel táctil no funciona correctamente.**

Quizá haya desactivado el panel táctil sin tener un mouse conectado a la notebook. Para activar el panel táctil:

- 1 Pulse la tecla Windows® y utilice las teclas de flechas para seleccionar Programas, y luego Sony Notebook Setup (Configuración de la notebook de Sony).
- 2 Seleccione la ficha Touchpad (Panel táctil) utilizando las teclas de flechas.
- 3 Seleccione Enable Touchpad (Panel táctil), y luego presione Intro (Entrar).

Debe reiniciar la notebook para hacer que el panel táctil funcione de nuevo.

Si el panel táctil está interpretando un toque simple como un doble clic, debe ajustar la asignación de botones. Siga los pasos siguientes:

- 1 Pulse la tecla Windows y utilice las teclas de flechas para seleccionar Panel de control, y luego Mouse.
- 2 Cambie la asignación de botones en el cuadro de diálogo Propiedades del Mouse. (Uno de los botones controla el funcionamiento del doble clic).

Si este procedimiento no resultara, asegúrese de que no haya otro mouse instalado.

### ***El puntero no se mueve cuando uso el panel táctil o el mouse.***

- ❑ Es necesario reiniciar la computadora. Siga los pasos siguientes:
  - 1 Pulse la tecla Windows.
  - 2 Pulse la tecla U para seleccionar Apagar equipo, y espere al menos cuatro segundos.
  - 3 Pulse la tecla R para reiniciar su notebook.
- ❑ Si siguiendo los pasos descritos anteriormente no pudiera apagar la notebook, pulse Ctrl+Alt+Supr en forma simultánea y haga clic en Apagar equipo en el cuadro de diálogo Windows®. Espere al menos cuatro segundos, y luego reinicie la computadora.
- ❑ Si no puede reiniciar la notebook siguiendo el paso anterior, pulse y mantenga pulsado el botón de encendido durante más de cuatro segundos para apagarla.
- ❑ Si el puntero no se mueve mientras se está reproduciendo un disco, pulse simultáneamente Ctrl+Alt+Supr para detener la reproducción y reiniciar la notebook.
- ❑ Si este procedimiento no resultara, asegúrese de que no haya otro mouse instalado.

## **Resolución de problemas de unidades, tarjetas de PC y dispositivos periféricos**

### **La unidad de disquete no puede escribir en un disquete**

- ❑ Verifique que la unidad lectora de disquetes esté correctamente insertada en el compartimento multifunción. Consulte “Uso de la unidad de disquete” en la Guía del usuario de la notebook VAIO en línea si desea más información.
- ❑ Verifique que en la unidad lectora de disquetes haya un disquete formateado debidamente insertado.
- ❑ Si el disquete está protegido contra escritura, desactive la función de protección contra escritura o use un disquete que no esté protegido.

### **La unidad óptica no reproduce adecuadamente CD o DVD.**

- ❑ Asegúrese de que la etiqueta del disco está hacia arriba.
- ❑ Si el disco requiere algún software, asegúrese de que el software se haya instalado siguiendo las instrucciones del fabricante.
- ❑ Un disco sucio o dañado podría hacer que la notebook dejara de responder al intentar leer el disco. Si es necesario, reinicie la notebook, extraiga el disco y, a continuación, compruebe si está sucio o dañado.
- ❑ Si puede ver las imágenes de vídeo pero no escucha el sonido, compruebe todos los puntos siguientes:
  - ❑ Verifique que la unidad de lectura óptica no tenga activada la opción de operación en silencio.
  - ❑ Compruebe el ajuste de volumen en el mezclador de audio.
  - ❑ Si está utilizando altavoces externos, compruebe los ajustes de volumen y, a continuación, verifique las conexiones entre los altavoces externos y la notebook.
  - ❑ Haga clic en Inicio, Panel de control, Sistema y luego Administrador de dispositivos. Compruebe que los controladores que correspondan estén adecuadamente instalados.
- ❑ No utilice etiquetas adhesivas para identificar los CD. La etiqueta puede despegarse mientras el disco está en uso en la unidad óptica y provocar un funcionamiento defectuoso de la unidad.


- ❑ Si aparece una advertencia de código de región cuando intenta utilizar la unidad óptica, puede ser que el DVD que está intentando reproducir sea incompatible con esa unidad. Compruebe la lista de códigos de región en el embalaje del DVD.
- ❑ La condensación puede hacer que la notebook no funcione como corresponde. Si esto ocurriera, no la use durante al menos una hora.

***La bandeja de la unidad óptica no se abre.***

- ❑ Asegúrese de que la notebook esté encendida.
- ❑ Pulse el botón de expulsión de la unidad óptica.
- ❑ Si el botón de expulsión no funciona, abra la bandeja insertando un objeto delgado y recto (como un clip para papeles) en el orificio situado a la derecha del botón de expulsión.

***No puedo usar los dispositivos de vídeo digital (DV). Aparece el mensaje “DV equipment seems to be disconnected or turned off” (El equipo de DV parece estar desconectado o apagado).***

- ❑ Compruebe que el dispositivo de DV esté encendido y que los cables estén correctamente conectados.
- ❑ Si está usando múltiples dispositivos i.LINK<sup>®</sup>\*, la combinación de los dispositivos conectados puede ser la causa de un funcionamiento inestable. En ese caso, apague la notebook y todos los dispositivos conectados. Desconecte los dispositivos que no estén en uso. Compruebe las conexiones de cada dispositivo y, a continuación, reinicie la notebook.

 Puede adquirir cables i.LINK compatibles en su distribuidor minorista, a través del sitio web de Sony VAIO<sup>®</sup> (<http://vaio-online.sony.com>).

\* i.LINK es una marca comercial de Sony que se utiliza únicamente para indicar que un producto contiene un conector IEEE1394. La conexión i.LINK puede variar, según cuáles sean las aplicaciones de software, el sistema operativo y los dispositivos compatibles con i.LINK. No todos los productos con un conector i.LINK pueden comunicarse entre sí. Consulte la documentación original del dispositivo compatible con i.LINK si desea información sobre las condiciones de operación y la conexión. Antes de conectar dispositivos periféricos compatibles con i.LINK a su sistema –por ejemplo, una unidad de CD-RW o de disco duro– confirme su compatibilidad con el sistema operativo y las condiciones de funcionamiento exigidas.

### **La tarjeta de PC no funciona**

- ❑ Compruebe que la tarjeta de PC esté instalada correctamente.
- ❑ Asegúrese de que la tarjeta de PC es compatible con Windows® de Microsoft®.
- ❑ Use la utilidad Sony Notebook Setup (Configuración de la notebook de Sony) para desactivar dispositivos que no esté usando actualmente.
- ❑ Si está usando dos tarjetas de PC, use la utilidad Sony Notebook Setup (Configuración de la notebook de Sony) para desactivar dispositivos que no esté usando actualmente.
- ❑ Compruebe que los controladores necesarios hayan sido instalados como corresponde. Consulte “Recuperación del sistema” en la página 43 si desea más información acerca de los controladores.

## **Resolución de problemas de software**

### ***El programa de software deja de responder o se bloquea.***

Póngase en contacto con el editor del software o el proveedor oficial para solicitar asistencia técnica. Consulte “Información de soporte de software” en la página 67 si desea más información.

***Al hacer clic en un icono correspondiente a una aplicación, aparece el mensaje “You must insert the application CD into your optical drive” (Debe colocar el CD de la aplicación en la unidad óptica) y el software no se inicia.***

- Algunos programas requieren archivos específicos que se encuentran en el CD de la aplicación. Inserte el disco e intente iniciar el programa de nuevo.
- Asegúrese de colocar el CD en la bandeja con el lado de la etiqueta hacia arriba.

### ***No puedo usar el software DVgate.***

Si la notebook está utilizando el perfil Ultimate Battery Life (Consumo mínimo de batería) para ahorrar energía, no puede utilizar el software DVgate™ o Smart Connect. Seleccione otro perfil. Es recomendable que conecte la notebook a una fuente de alimentación CA cuando utilice esos programas.

## ***El tiempo de inicio de mi computadora parece ser más largo después de que instalé AOL. ¿Qué puedo hacer?***

En algunas computadoras, el instalar America Online® (AOL) puede aumentar el tiempo de inicio por hasta un minuto. Si esto le sucede a su sistema y quisiera disminuir el tiempo que se necesita para iniciar su computadora, se recomienda que desactive el controlador AOL WAN. Haga lo siguiente:

- 1** Haga clic en Inicio en la barra de tareas de Windows® y después seleccione Panel de control.
- 2** Haga clic en Conexiones de red e Internet, y seleccione Network Connections (Conexiones de red).
- 3** Haga clic con el botón derecho en Local Area Connection (Conexión de área local) con el nombre "WAN Network Driver" (Controlador de red WAN), y seleccione Disable.

Verifique que su conexión a AOL todavía funciona satisfactoriamente con WAN Network Driver (Controlador de red WAN) desactivado. Si necesita revertir esta configuración, repita los pasos anteriores y seleccione Enable.

## **Resolución de problemas del módem**

### **El módem no funciona.**

- ❑ Compruebe que el cable de telefonía esté enchufado en el conector. Si desea más información, consulte "Conexión de una línea telefónica".
- ❑ Compruebe si la línea telefónica funciona. Puede comprobar la línea enchufando un teléfono normal y escuchando el tono de línea.
- ❑ Compruebe si es correcto el número de teléfono que está marcando el programa.
- ❑ Compruebe si el software que está utilizando es compatible con el módem de la notebook. (Todos los programas de Sony preinstalados son compatibles.)

### **La conexión del módem es lenta.**

La notebook está equipada con un módem compatible de 56K/V.90 flex. Hay muchos factores que pueden influir en la velocidad de conexión del módem, entre ellos, los ruidos en la línea telefónica o la compatibilidad con el equipo telefónico (como máquinas de fax u otros módems). Si cree que el módem no se conecta correctamente con otros módems instalados en PC, con máquinas de fax o con el proveedor de servicios de Internet, compruebe lo siguiente:

- ❑ Haga que la compañía telefónica compruebe que la línea esté libre de ruidos.
- ❑ Si el problema está relacionado con un fax, compruebe que la máquina de fax a la que está llamando funcione correctamente y que sea compatible con fax-módems.
- ❑ Si el problema se produce cuando se conecta con el proveedor de servicios de Internet, compruebe que no tenga problemas técnicos.
- ❑ Si tiene una segunda línea telefónica disponible, intente conectar el módem a esa línea.



## **Resolución de problemas de sonido**

### **Los altavoces no producen sonido.**

- ❑ Si los altavoces incorporados están desconectados, pulse Fn+F3 para encenderlos.
- ❑ Si el volumen de los altavoces está en el mínimo, pulse Fn+F4, y luego **↑** o **→** para aumentar el volumen, o bien utilice el control Jog Dial para seleccionar el volumen que desee.
- ❑ Si no aparece nada cuando pulsa Fn+F3 o Fn+F4.
  - ❑ Haga doble clic en Sistema en el Panel de control.
  - ❑ Active el dispositivo de sonido en Administrador de dispositivos.
- ❑ Si la notebook está alimentada por baterías, compruebe que los paquetes de baterías estén correctamente insertados y cargados.
- ❑ Si está utilizando una aplicación que tiene su propio control de volumen, compruebe que el volumen esté suficientemente alto.
- ❑ Verifique los controles de volumen en la barra de tareas de Windows®.
- ❑ Si conecta altavoces externos, compruebe que los altavoces estén correctamente conectados y que el volumen esté suficientemente alto. Si los altavoces tienen un botón de operación en silencio, asegúrese de que esté desconectado. Si los altavoces están alimentados por baterías, compruebe que las baterías estén insertadas adecuadamente y que estén cargadas.
- ❑ Si ha conectado un cable de sonido al enchufe de auriculares, desconéctelo.

### **El micrófono no funciona**

Si está utilizando un micrófono externo, compruebe que éste se encuentre enchufado en el enchufe de micrófono. Consulte “Para conectar un micrófono externo” en la Guía del usuario de la notebook VAIO en línea si desea más información.

## **Resolución de problemas de la impresora**

### **No se puede imprimir.**

La configuración predeterminada del modo del puerto de impresora sirve para la mayoría de las impresoras. Si no puede imprimir, intente cambiar el modo del puerto de impresora. En la utilidad Sony Notebook Setup (Configuración de la notebook de Sony), seleccione la ficha Printer (Impresora). Si el modo del puerto de impresora está definido como ECP, cámbielo a bidireccional. Si en cambio el modo del puerto de impresora estuviera definido como bidireccional, cámbielo a ECP. Consulte “Visualización de la pantalla Sony Notebook Setup (Configuración de la notebook de Sony)” en la Guía del usuario de la notebook VAIO en línea si desea más información sobre el uso de Sony Notebook Setup (Configuración de la notebook de Sony).

Es posible que la impresora que ha conectado no funcione después de que la notebook salga de alguno de los modos de ahorro de energía. Si ocurre esto, siga estos pasos para reiniciar la conexión de la impresora:

- 1 Haga clic en Inicio y seleccione Panel de control.
- 2 Haga clic en la carpeta Impresoras.
- 3 Haga clic con el botón derecho en el icono de la impresora que no funciona y seleccione Propiedades para ingresar a la ventana Propiedades.
- 4 Haga clic en Aceptar para cerrar la ventana Propiedades. La impresora debe funcionar correctamente.

Compruebe que la impresora es compatible con el sistema operativo Windows® instalado en su computadora, y que estén instalados los controladores de impresora que correspondan.



# *Cómo obtener ayuda*

*Sony le brinda varias opciones de soporte para dar respuesta a las preguntas que puedan surgirle en relación con su notebook VAIO®. Remítase a los recursos ofrecidos en el orden en que aparecen listados.*

## Opciones de soporte

---

### 1 **Guía del usuario de la Notebook VAIO® e Introducción rápida a la Notebook VAIO®**

La Guía en línea del usuario de la Notebook VAIO® y la Introducción rápida a la Notebook VAIO® impresa le proporcionan información acerca de cómo aprovechar al máximo las capacidades de la notebook y resolver problemas comunes. Para acceder a la guía del usuario en línea, haga clic en el botón Inicio de la barra de tareas de Windows®, seleccione Soporte y ayuda, y haga clic en Guía del usuario VAIO. La Introducción rápida se entrega junto con la notebook.

---

### 2 **Manuales y archivos de ayuda en línea**

El software preinstalado en la notebook puede venir acompañado de un manual en línea. Estos manuales se almacenan en la unidad de disco duro como archivos de ayuda en línea. Usted puede acceder a los archivos de ayuda en línea desde el menú de Ayuda de la aplicación en cuestión. Algunas aplicaciones de software pueden entregarse con un manual impreso.

---

### 3 **Servicio al cliente PC de Sony**

Este servicio proporciona acceso instantáneo a información relativa a problemas que se presentan con frecuencia. Introduzca una descripción de su problema y la Knowledge Database buscará en línea las soluciones correspondientes. Puede acceder al Servicio al cliente PC de Sony en la página: <http://vaio-online.sony.com>.

---

## **Información de soporte de software**

### **Adobe Acrobat® Reader™, Photoshop® Elements, Premiere (Adobe Systems Inc.)**

---

Dirección de Internet      <http://www.adobe.com/>

---

### **Apple QuickTime™ (Apple Computer, Inc.)**

---

Dirección de Internet      <http://www.apple.com>

---

### **Norton AntiVirus™ (Symantec Corporation)**

---

Dirección de Internet      <http://www.symantec.com/techsupp/>

---

### **RealJukebox, RealPlayer (Real Networks, Inc.)**

---

Dirección(es) de Internet      <http://service.real.com/rjoptions.html>  
   <http://service.real.com/help/call.html>

---

### **Sony Applications (Sony Electronics Inc.)**

---

Dirección de Internet      <http://vaio-online.sony.com>

---

### **Sistema Operativo Windows®, Internet Explorer, Word (Microsoft Corp.)**

---

Dirección de Internet      <http://www.sony.com/pcsupport>

---

### **WinDVD® (InterVideo, Inc.)**

---

Dirección de Internet      <http://www.intervideo.com>

---



# Index

## A

- Adaptador de CA 17
- adaptador de CA 12
- ajuste
  - brillo 25
- altavoces
  - resolución de problemas 62
- ampliación
  - memoria 29
- ayuda
  - cómo obtener 65

## B

- botones
  - Start (Windows) 26
- brillo
  - ajuste 25

## C

- cables
  - cable de alimentación 17
  - teléfono 12
- características 5
- carga
  - paquete de baterías secundario 18
- carga de paquetes de baterías 19
- CD Application Recovery 43
- CD Recovery 43
- Centro de Servicio Sony 67
- computadora
  - características 5
  - configuración 12

- desembalar 7
  - inicio 24
- computadora notebook 12
- conectores
  - Entrada de CC 17
- conexión
  - fuelle de alimentación 17
- configuración de ampliación de memoria 31
- configuración de la computadora
  - soporte 66
- controles
  - localización 12
- cuadro de diálogo Turn Off Computer (Apagar el sistema) 26
- apagar el equipo 26

## D

- desembalaje de la computadora 7
- desembalar 7
- dispositivos periféricos
  - resolución de problemas 56

## E

- elección
  - fuelle de alimentación 18
- encendido
  - cable 17
  - computadora 24
  - interruptor 24
- Entrada de CC 17
- extracción
  - módulo de memoria 32
  - paquetes de baterías 21



## **F**

fuelle de alimentación 17

fuentes de alimentación 18  
conexión 17

## **H**

hardware

resolución de problemas 56  
soporte en línea 66

## **I**

impresora

resolución de problemas 63

indicador luminoso de estado de carga  
20

indicador luminoso del estado de  
carga 20

indicadores luminosos

batería 20  
estado de carga 20

inicio

computadora 24

inserción

paquete de baterías  
secundario 18

instalación

módulo de memoria 34

## **L**

LCD

palanca de bloqueo 24  
resolución de problemas 52

Lista del software 37

localización de controles y puertos 12

## **M**

memoria

ampliación 29  
visualización de la  
cantidad de 36

micrófono

resolución de problemas 62

módem

resolución de problemas 61

modo de hibernación 27

Modo Standby 27

modos de ahorro de energía

hibernación 27  
Standby 27

módulo de memoria

ampliación 31  
extracción 32  
instalación 34

## **N**

notebook

resolución de problemas 47

## **O**

opciones de soporte 65

## **P**

palanca

LCD 24

panel táctil

resolución de problemas 54

pantalla

resolución de problemas 52

paquete de baterías secundario 18

paquetes de baterías 12, 18

carga 18, 19

extracción 21

indicadores luminosos 20

inserción 18

inserción en el compartimento de  
baterías 18

recargable 17

paquetes de baterías

recargables 17, 18

problemas en el inicio 26

puertos

localización 12

**R**

- ranura de ventilación 15
- ratón
  - resolución de problemas 54
- recarga de paquetes de baterías 19
- resolución de problemas
  - general 47
  - impresora 63
  - inicio 26
  - módem 61
  - notebook 48
  - pantalla LCD 52
  - ratón y panel táctil 54
  - software 59
  - sonido 62
  - unidades, tarjetas de PC y dispositivos periféricos 56
- restauración de datos 43

**S**

- selección
  - fuelle de alimentación 18
- software
  - resolución de problemas 59
- sonido
  - resolución de problemas 62

**T**

- tarjetas de PC
  - resolución de problemas 56
- teléfono
  - cable 12
- toma de CA 17

**U**

- unidad de disquete 12
  - cable 12
  - resolución de problemas 56
- unidades
  - disquete 12

resolución de problemas 56

**V**

- visualización de la cantidad de memoria 36

**W**

- Windows
  - barra de tareas 26, 50
  - botón Start 26


© 2001 Sony Electronics Inc. Reservados todos los derechos. A menos que se tenga un permiso previo por escrito, está prohibido reproducir, traducir o reducir a ningún formato que pueda ser leído por una máquina, parcial o totalmente, este manual y el software descrito en este documento.

Impreso en los EE.UU.

4-658-869-11

**List of PCG-FX Series (As of October, 2001)**

<b>Model Name</b>	<b>Service Manual Part No.</b>
PCG-FX190 PCG-FX170 PCG-FX150 PCG-FX140 PCG-FX120	9-872-179-11
PCG-FX190K PCG-FX170K PCG-FX150K PCG-FX140K PCG-FX120K	9-872-194-11
PCG-FX290K PCG-FX290	9-872-209-11
PCG-FX270K PCG-FX270 PCG-FX250K PCG-FX250 PCG-FX240K PCG-FX240 PCG-FX220K PCG-FX220	9-872-227-11
PCG-FX876 PCG-FX776	9-872-228-11
PCG-FX210	9-872-204-11
PCG-FX215	9-872-232-11
PCG-FX340 PCG-FX370 PCG-FX390	9-872-259-01
PCG-FX777 PCG-FX877	9-872-288-01
PCG-FXA32 PCG-FXA33 PCG-FXA36	9-872-253-01

 : Additional Models


This manual and the constituent data may not be replicated, copied nor reprinted in whole or in part without prior written authorization of Sony Corporation.

## Revision History

Suffix	Ver.	Date	Contents	QM No.
-01	Ver. 1	2001.10.22	First Edition	
< Remarks >				