



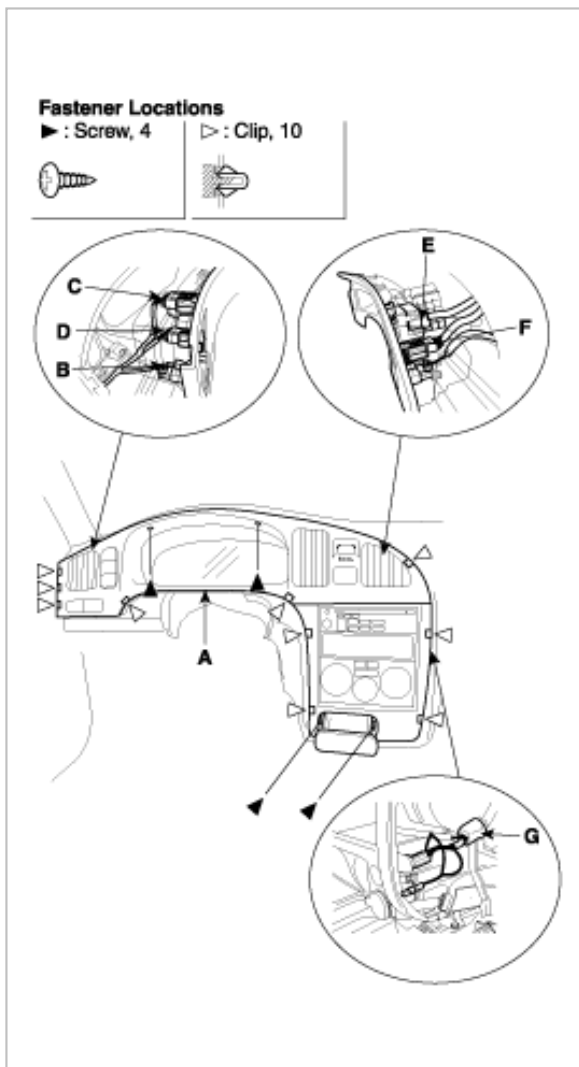
REMOVAL AND INSTALLATION

INSTRUMENT FACIA PANEL REMOVAL AND INSTALLATION

NOTE

- When prying with a flat-tip screwdriver, wrap it with protective tape, and apply protective tape around the related parts, to prevent damage.
- Take care not to scratch the dashboard and related parts.

1. Tilt the steering column down.
2. Remove the screws, and detach the clips.
3. Disconnect the following items to remove the instrument facia panel (A).
 - A. Rheostat connector (B).
 - B. TCS switch connector (C).
 - C. Trip computer switch connector (D).
 - D. Clock connector (E).
 - E. Hazard switch connector (F).
 - F. Gigar lighter connector (G).



4. Installation is the reverse of removal.

NOTE

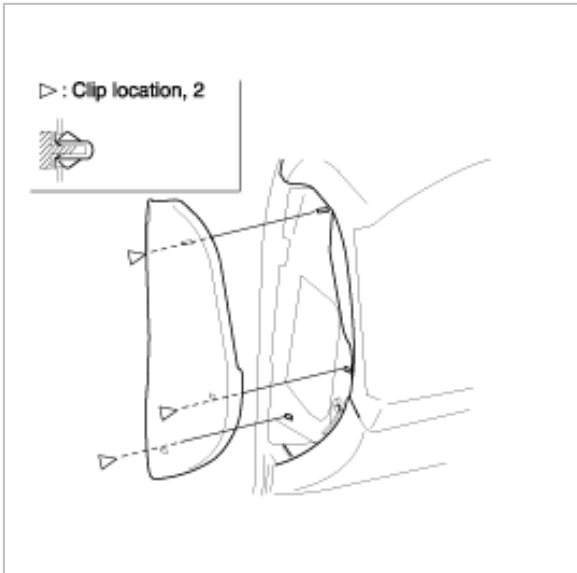
-Make sure the connector is plugged in properly.

**LOWER CRASH PAD PANEL
REMOVAL AND INSTALLATION**

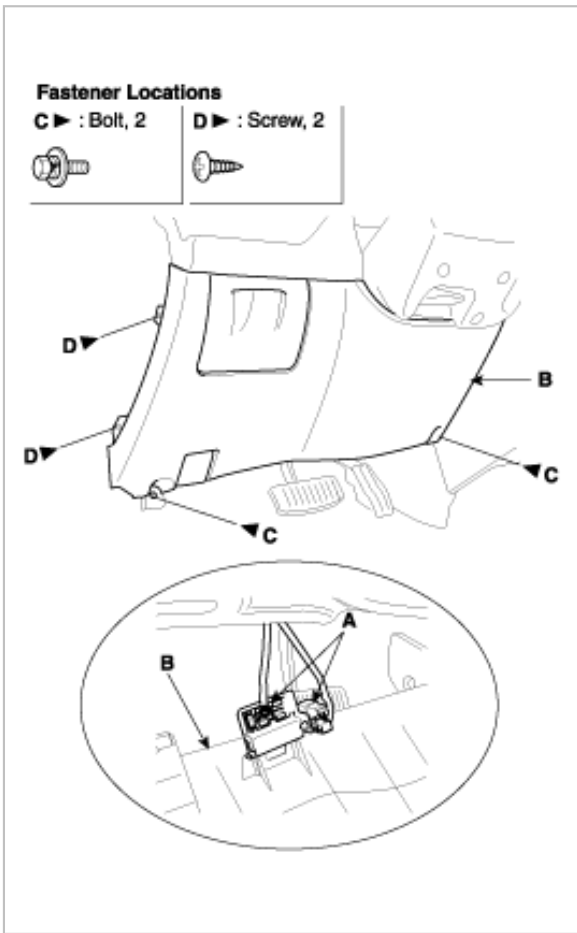
NOTE

- When prying with a flat-tip screwdriver, wrap it with protective tape, and apply protective tape around the related parts, to prevent damage.
- Take care not to scratch the dashboard and related parts.

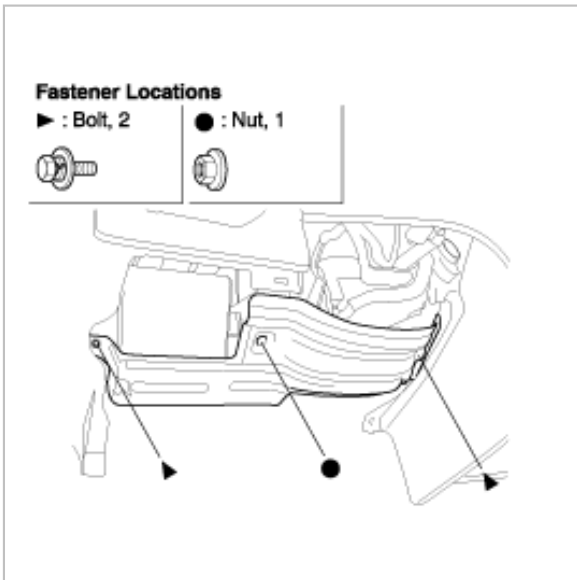
1. Tilt the steering column up.
2. Disconnect the hood release cable from the hood release handle (See page BD- 11).
3. Detach the clips, and release the tabs, then remove the left crash pad side trim.



4. Remove the screws, bolts and clips.
5. Disconnect the self-diagnosis connector (A), then remove the lower crash pad panel (B).



6. Remove the support panel.



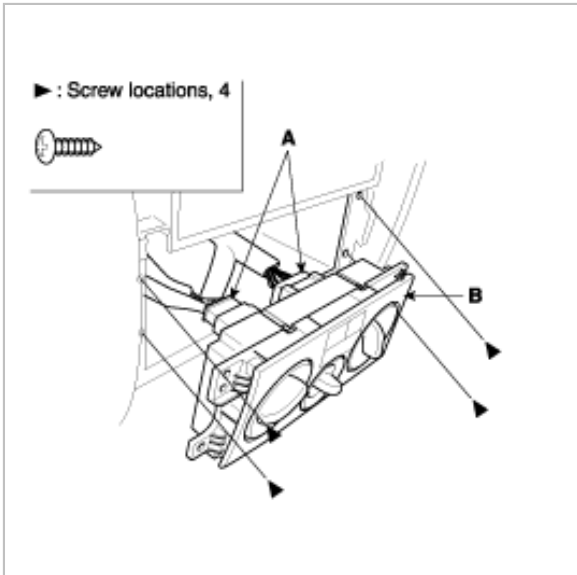
7. Installation is the reverse of removal.

NOTE
Make sure the hood opens properly.

HEATER CONTROL UNIT REMOVAL AND INSTALLATION

1. Remove the instrument facia panel (See page BD- 54).
2. Loosen the screws.

3. Disconnect the heater control unit connectors (A), then remove the heater control unit (B).



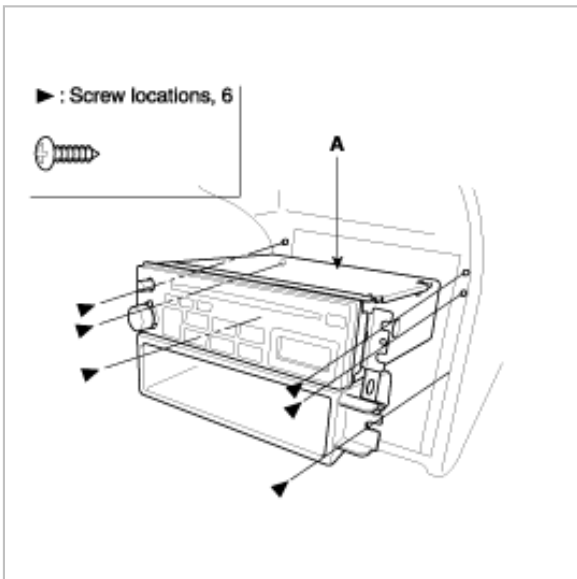
4. Installation is the reverse of removal.

NOTE

-Make sure the connector is plugged in properly.

AUDIO ASSEMBLY REMOVAL AND INSTALLATION

1. Remove the instrument facia panel (See page BD- 54).
2. Loosen the screws.
3. Disconnect the audio connector and antenna cable, then remove the audio assembly (A).



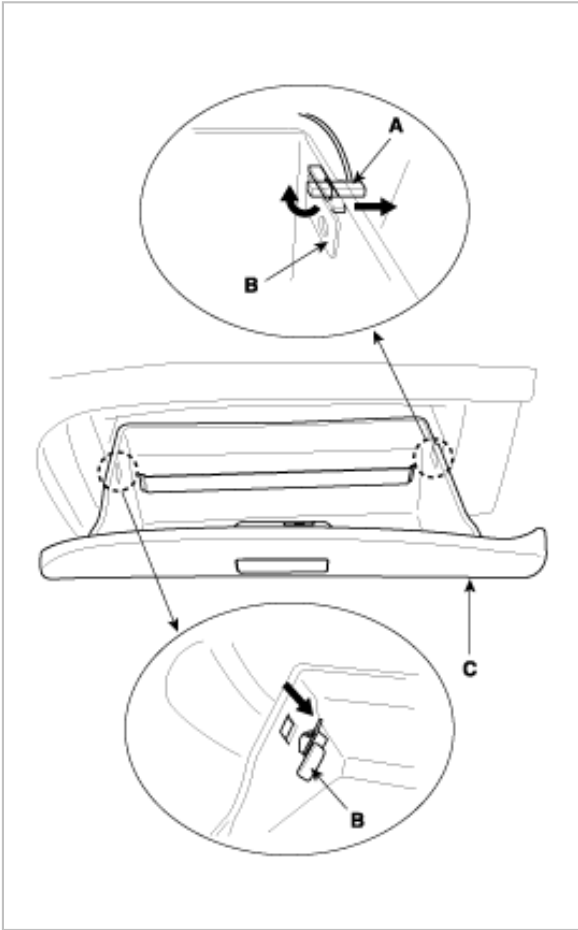
4. Installation is the reverse of removal.

NOTE

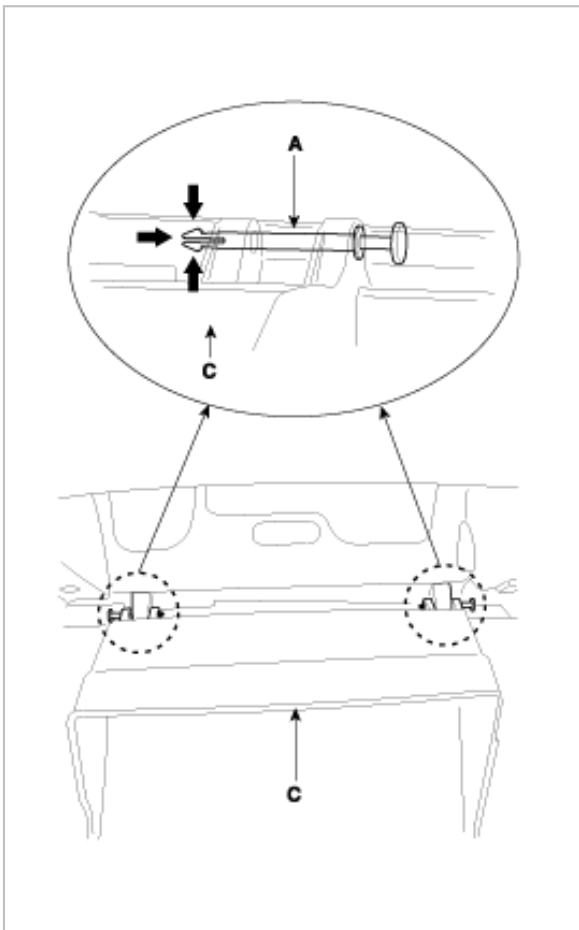
-Make sure the connector is plugged in properly.

GLOVE BOX REMOVAL AND INSTALLATION

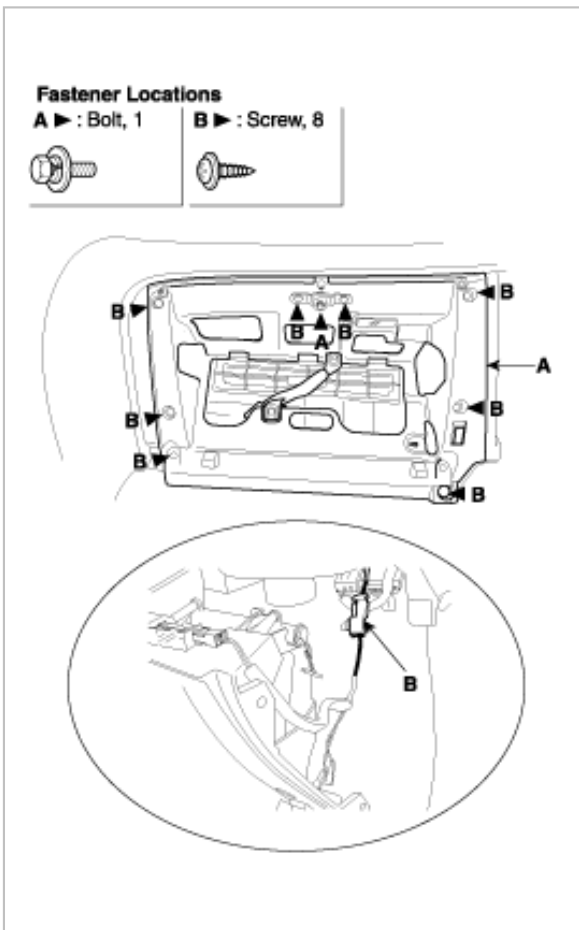
1. Disconnect the air damper wire (A) and guide (B) from the glove box (C).



2. Disconnect the pin (A), then remove the glove box (C).



3. Remove the screws and bolt, then remove the glove box housing (A).
Disconnect the glove box lamp connector (B).



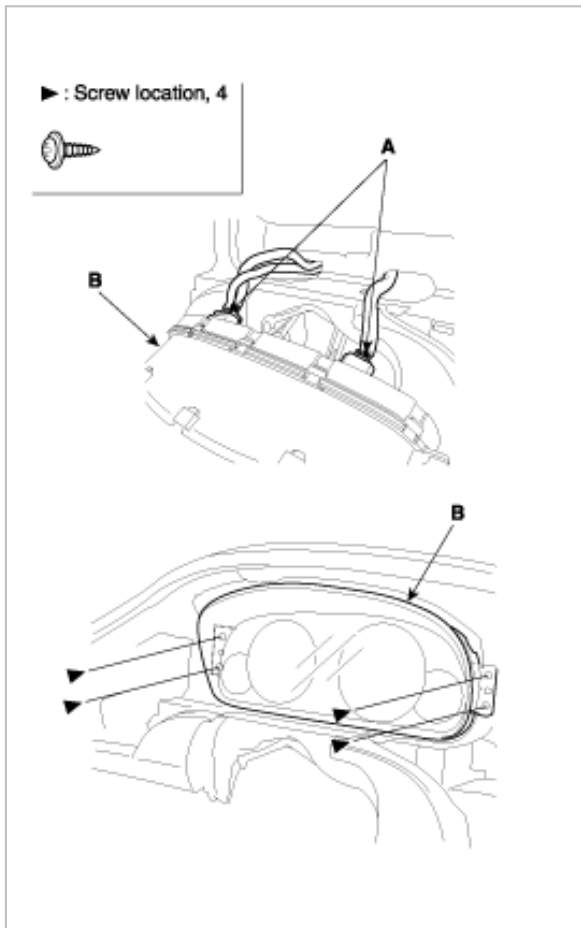
4. Installation is the reverse of removal.

NOTE

-Make sure the connector is plugged in properly.

CLUSTER REMOVAL AND INSTALLATION

1. Remove the instrument facia panel (See page BD- 54).
2. Loosen the screws.
3. Disconnect the cluster connector (A), then remove the cluster (B).



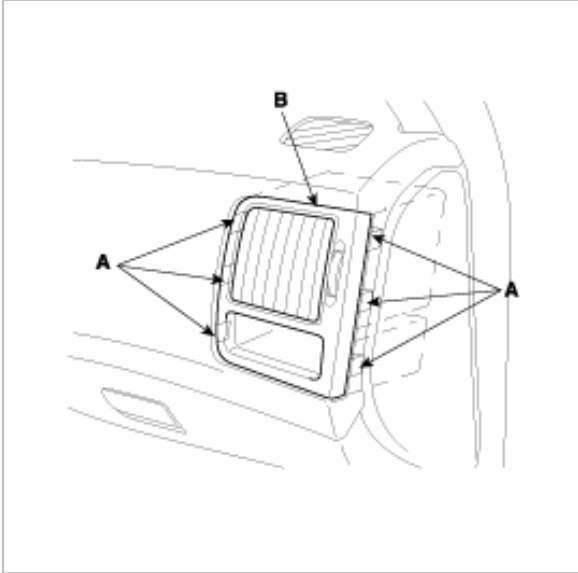
4. Installation is the reverse of removal.

NOTE

-Make sure the connector is plugged in properly.

PASSENGER'S SIDE VENT REMOVAL AND INSTALLATION

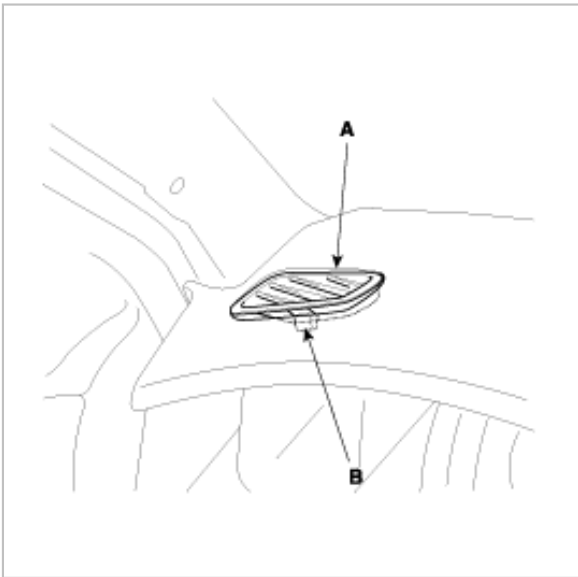
1. Wrap a flat-tip screwdriver with protective tape, and apply protective tape around the related parts to prevent damage. Carefully insert a flat-tip screwdriver next to the clip, and detach the clips (A) by prying on the passenger's side vent (B). Take care not to scratch the crash pad and related parts.



2. Remove the vent by detaching the clips.
3. Reinstall the hook portions of the vent first, then push the clip portions into place securely.

SIDE DEFROSTER NOZZLE REMOVAL AND INSTALLATION

1. Wrap a flat-tip screwdriver with protective tape, and apply protective tape around the related parts to prevent damage. Carefully insert a flat-tip screwdriver next to the clip, and detach the clip by prying on the side defroster nozzle (A). Take care not to scratch the crash pad and related parts.



2. Pull the vent trim out by releasing the hooks (B).
3. Reinstall the hook portions of the vent trim first, then securely push the clips into place.

CRASH PAD REMOVAL AND INSTALLATION

NOTE

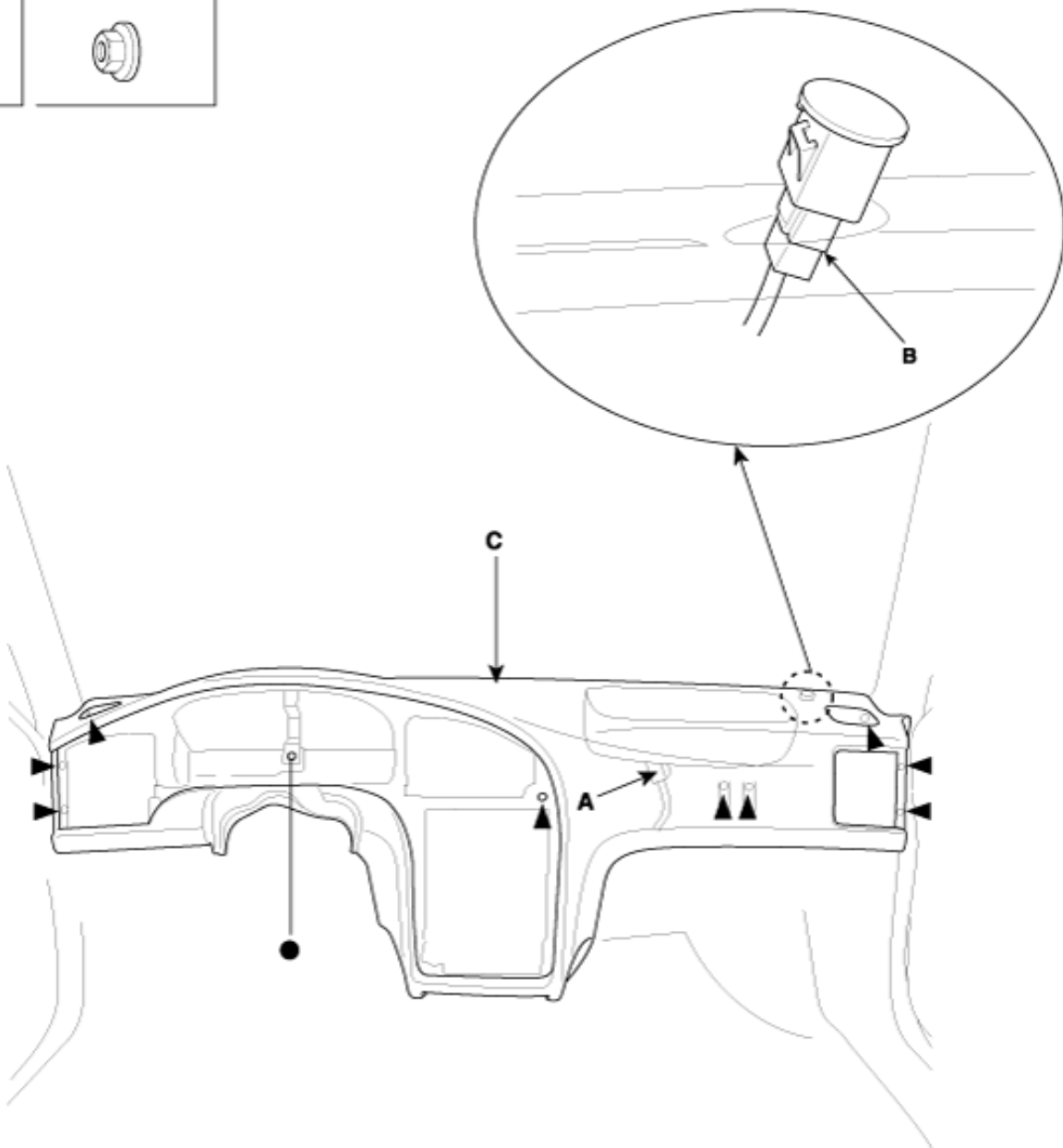
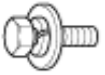
- When prying with a flat-tip screwdriver, wrap it with protective tape, and apply protective tape around the related parts to prevent damage.
- An assistant is helpful when removing and installing the dashboard.
- Take care not to scratch the dashboard, body and other related parts.
- Put in gloves to protect your hands.

1. Make sure you have the anti-theft code for the radio, then write down the frequencies for the radio's preset buttons.
2. Disconnect the negative cable from the battery.
3. Remove the following items.
 - A. Front seat, both sides (see page BD- 84).
 - B. Console (see page BD- 53).
 - C. Crash pad side trim, both sides (see page BD- 55).
 - D. Front pillar trim, both sides (see page BD- 63).
 - E. Instrument tacia panel (see page BD- 54).
 - F. Lower crash pad panel (see page BD- 55).
 - G. Heater control unit (see page BD- 56).
 - H. Clutster (see page BD- 59).
 - I. Audio (see page BD- 57).
 - J. Glove box (see page BD- 57).
 - K. Side defroster nozzle (see page BD- 60).
4. Disconnect the passenger's air bag connector (A), and auto light connector (B). Loosen the bolts and nut, then remove the crash pad (C).

Fastener Locations

▶ : Bolt, 9

● : Nut, 1



5. Carefully remove the crash pad through the front door opening.
6. Installation is the reverse of removal.

NOTE

- Make sure the crash pad fits onto the guide pins correctly.
- Before tightening the bolts, make sure the crash pad wire harnesses are not pinched.
- Make sure the connectors are plugged in properly, and the antenna lead is connected properly.
- Enter the anti-theft code for the radio, then enter the customer's radio station presets.