



REMOVAL AND INSTALLATION

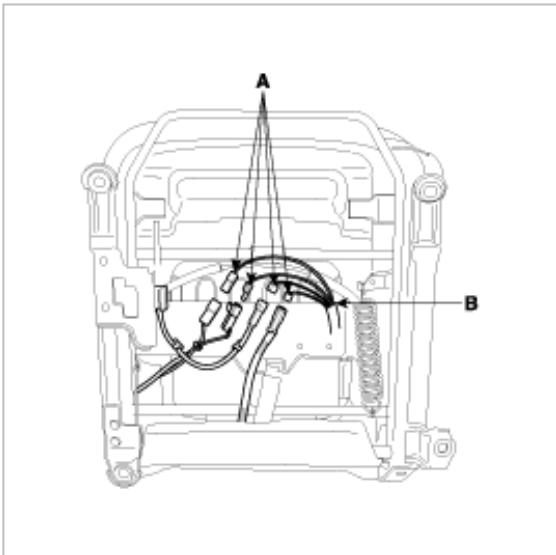
CAUTION

SRS components are located in this area. Review the SRS component locations precautions, and procedures in the SRS section before performing repairs or service (see page RT group).

1. Remove the seat track end covers, and remove the bolts securing the front seat (A). when prying with a flat-tip screwdriver, wrap it with protective tape to prevent damage. Take care not to scratch toe body or tear the seat covers.



2. Lift up the front seat, then disconnect and detach the seat harness connector (A) and harness clip (B).



3. With the help of an assistant, carefully remove the front seat through the front door opening.
4. Installation is the reverse of removal, and make sure the seat harness connector is plugged in properly.

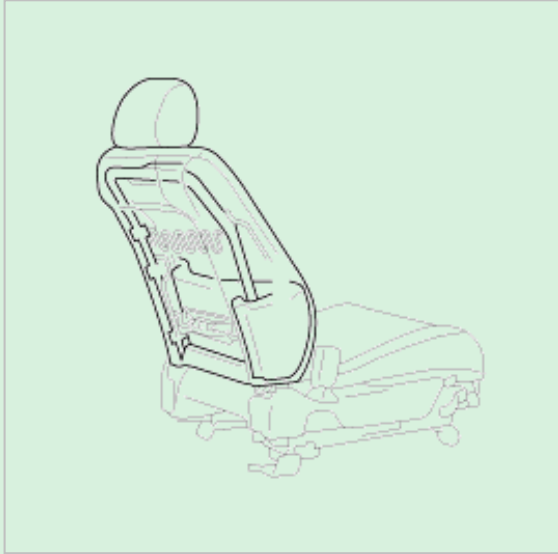
REPLACEMENT

CAUTION

SRS components are located in this area. Review the SRS component locations, precautions, and procedures in the SRS section before performing repairs or service (see page RT-).

NOTE

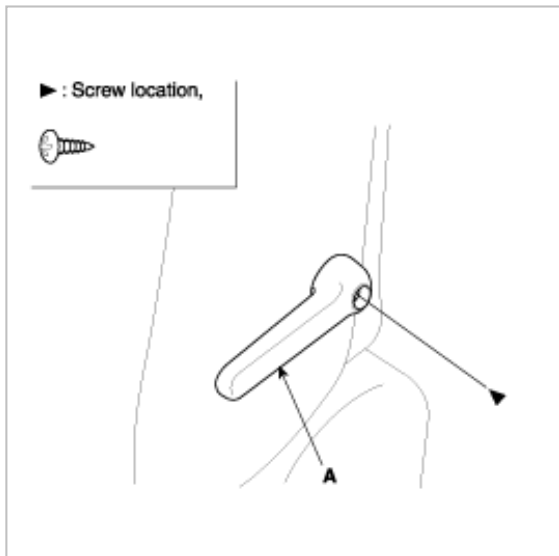
-The seat with a airbag is marked with a side airbag on the surface of the seatback. Because the component parts (seat back cover, cushion, etc.) of seats with and without airbags are different, make sure you install only the correct replacement parts.



- Do not repair any tears or frayed spots of the seat-back cover. If necessary, replace the seat-back cover.
- Take care not to tear the seams or damage the seat covers.
- Put on gloves to protect your hands.

SEAT BACK COVER

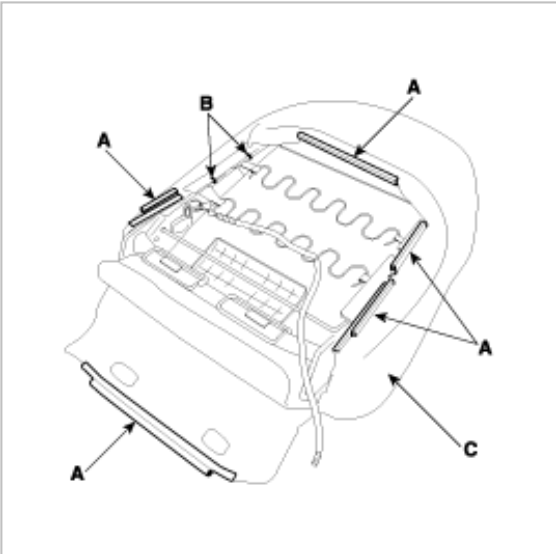
1. Remove the seat (see page BD- 84).
2. Remove the seat back (see page BD- 85).
3. Remove the screw, then remove the lumbar support knob (A).



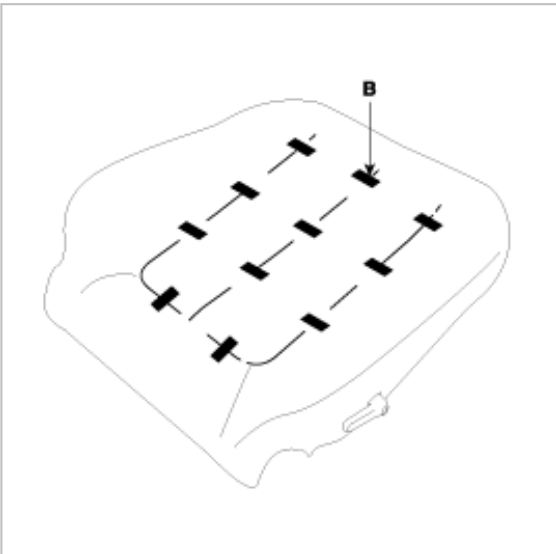
4. Remove the headrest and headrest guide.



5. Release the hook (A) and clips (B) then fold back the seat back cover.



6. Pull back the edge of the seat-back cover all the way around, then release the clips (B).

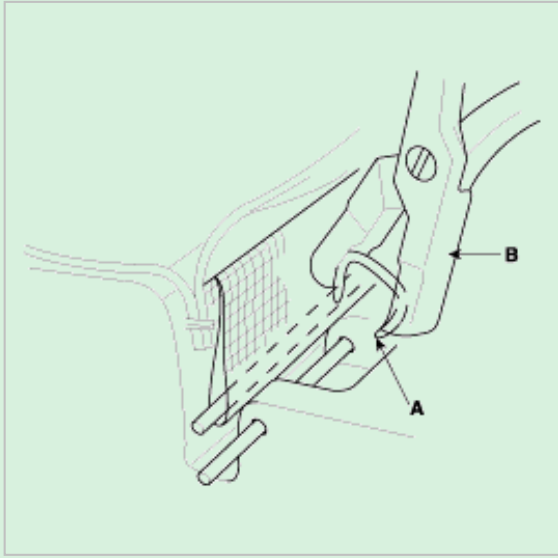


7. Remove the seat-back cover.

8. Installation is the reverse of removal.

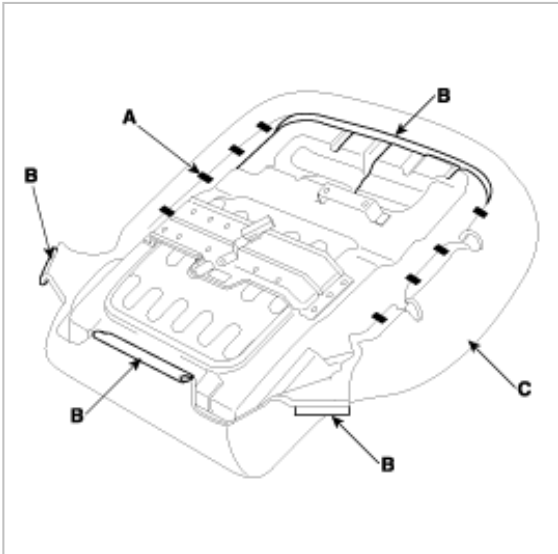
NOTE

- To prevent wrinkles when installing a seat-back cover, make sure the material is stretched evenly over the pad before securing the fastener, hook and inside springs.
- With side airbag, replace the clips (A) with new ones using commercially available upholstery ring pliers (B).

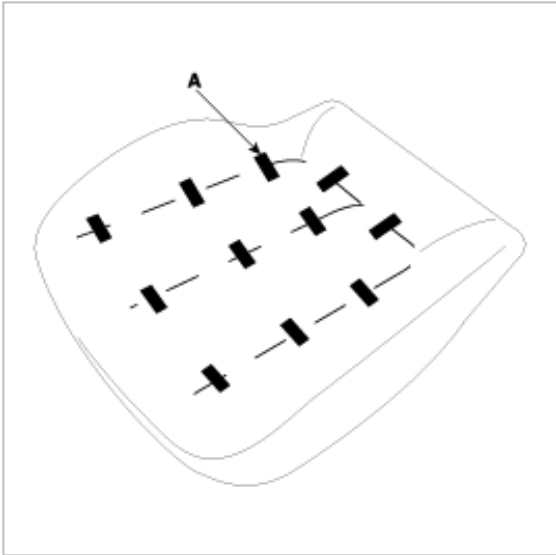


SEAT CUSHION COVER

1. Remove the front seat (see page BD- 84).
2. Remove the seat cushion (see page BD- 85).
3. Release the clips (A) and hooks (B) from under the seat cushion, then loosen the seat cushion cover (C).



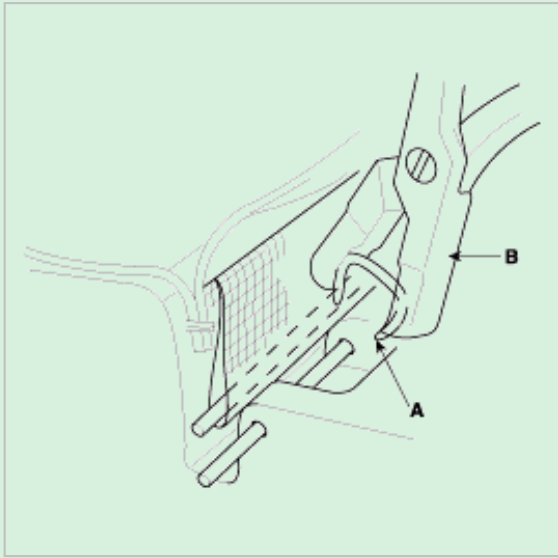
4. Pull back the edge of the seat cushion cover all the way around, and release the clips (A), then remove the seat cushion cover. On a leather seat cover, there is no fastener to remove.



5. Installation is the reverse of removal.

NOTE

- To prevent wrinkles when installing the seat cushion cover, make sure the material is stretched evenly over the pad before securing the clips and hooks.
- Replace the released clips with new ones (A) using commercially available upholstery ring pliers (B).



DISASSEMBLY AND REASSEMBLY

1. Disassembly the front seat.

CAUTION

SRS components are located in this area. Review the SRS component locations, precautions, and procedures in the SRS section before performing repairs or service (see page RT group).

2. Reassemble is the reverse of disassembly.

NOTE

- Route the seat wire harness and recline cable correctly (see page BD- 84).
- Make sure the bushing and pivot washer are installed correctly.
- Apply multipurpose grease to the moving portion of the seat track.
- To prevent wrinkles in the seat-back cover, stretch the material evenly over the pad.
- Replace the back panel clips with new ones.

