



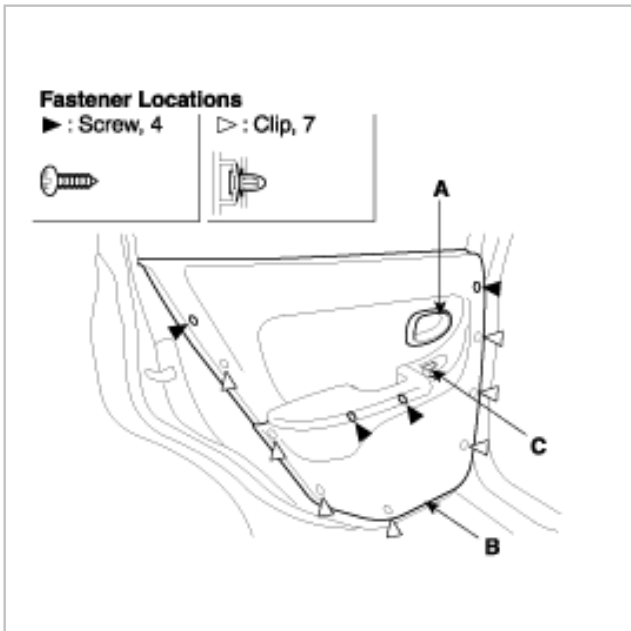
REMOVAL AND INSTALLATION

REMOVE REAR DOOR TRIM.

NOTE

- Take care not to scratch the door trim and other parts.
- Put on gloves to protect your hands.

1. Remove the inside handle cover (A).
2. Loosen the door trim (B) mounting screws. Release the clips that hold the door trim, then remove the door trim by pulling it upward. Disconnect the power window switch connector (C).



3. Remove the door trim seal.
4. Installation is the reverse of removal, make sure the connectors and courtesy light bulb socket are plugged in properly.

REPLACEMENT

GLASS AND QUARTER GLASS REPLACEMENT

NOTE

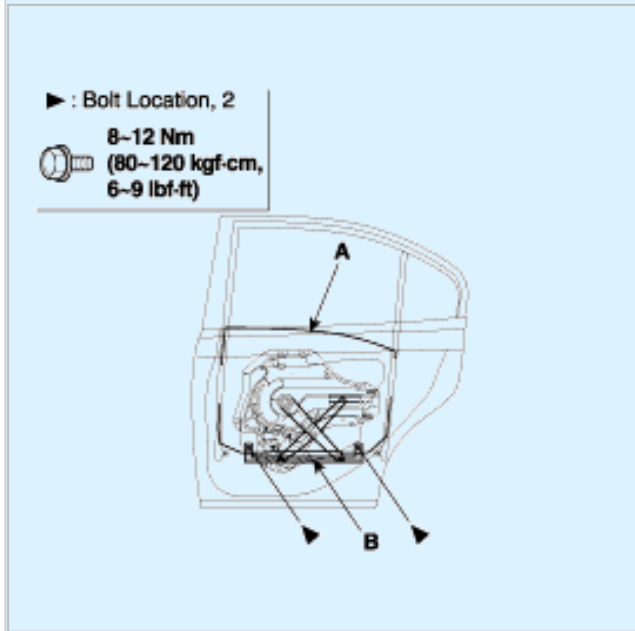
Put in gloves to protect your hands.

1. Remove the door trim (see page BD- 33).

2. Carefully move the glass (A) until you can see the bolts, then loosen them. Carefully pull the glass out through the window slot (B).

CAUTION

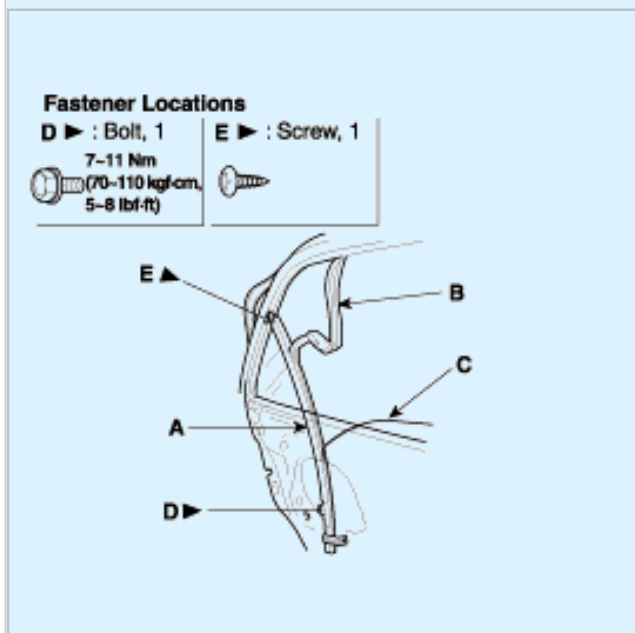
Take care not to drop the glass and scratch the glass surface.



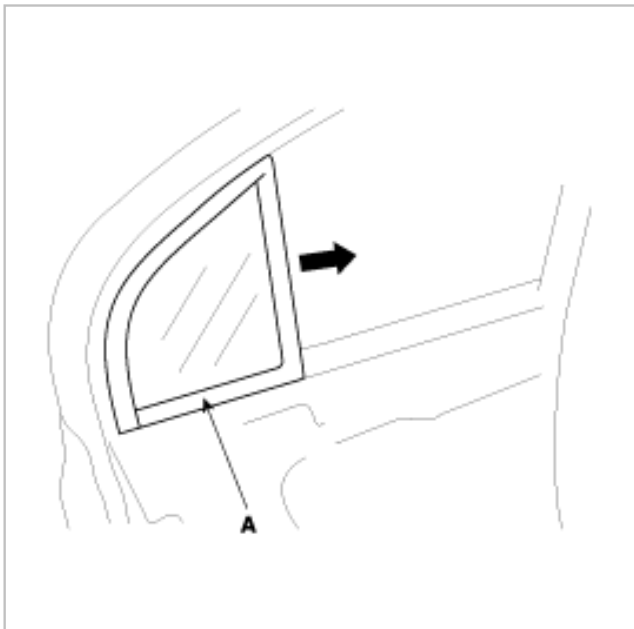
3. Remove the bolts and screw from the rear channel (A), then pull the glass run (B) away as needed from the rear channel.
4. Carefully remove the glass (C) out through the window slot.

CAUTION

Take care not to drop the glass and scratch the glass surface.



5. Remove the quarter glass (A).



6. Installation is the reverse of removal.

A. Roll the glass up and down to see if it moves freely without binding.

B. Make sure that there is no clearance between the glass and glass run channel when the glass is closed.

C. Adjust the position of the glass as necessary (see page BD- 36).

REAR DOOR MODULE REPLACEMENT

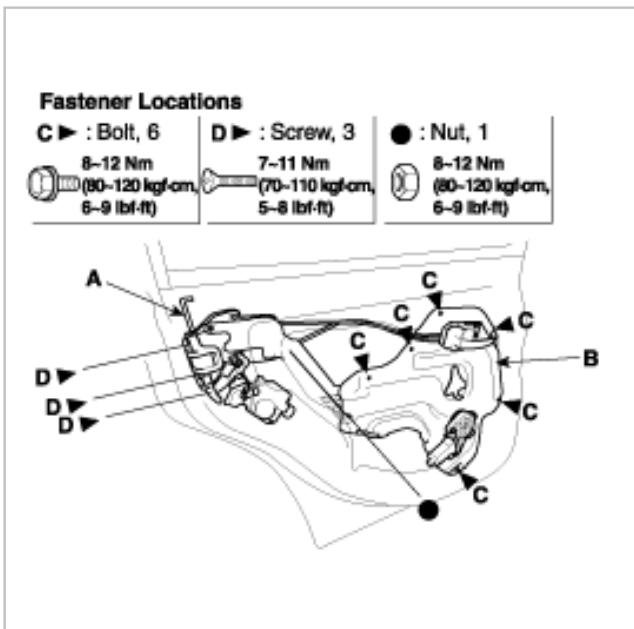
1. Remove the door trim (see page BD-).

2. Remove the glass (see page BD-).

3. Disconnect the power window motor connector. Detach the harness clip.

4. Disconnect the outside handle rod (A).

5. Remove the door module assembly (B).



6. Installation is the reverse of removal.

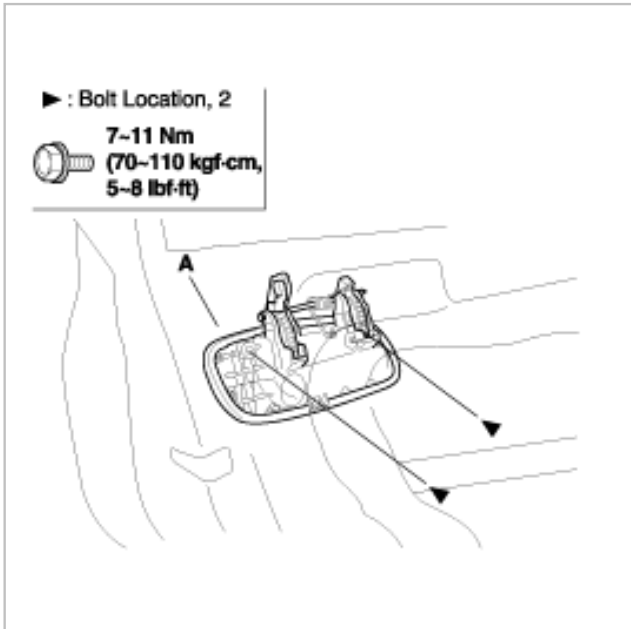
A. Adjust the position of the glass as necessary (see page BD-).

OUTSIDE HANDLE REPLACEMENT

NOTE

Put on gloves to protect your hands.

1. Remove the door trim (see page BD- 33).
2. Remove the glass (see page BD- 33).
3. Remove the rear door module (see page BD- 35).
4. Remove the outside handle (A).



5. Installation is the reverse of removal.
 - A. Make sure the key cylinder switch harness is routed properly.
 - B. Make sure the connector is plugged in properly, and each rod is connected securely.
 - C. Make sure the door locks and opens properly.

ADJUSTMENT

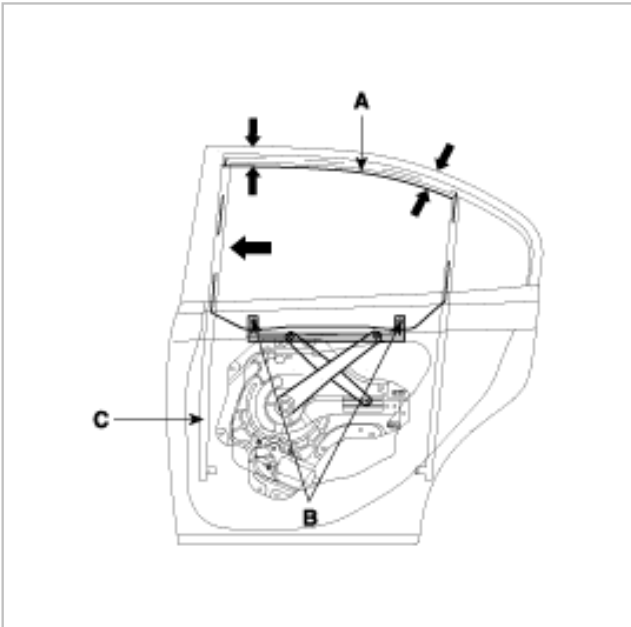
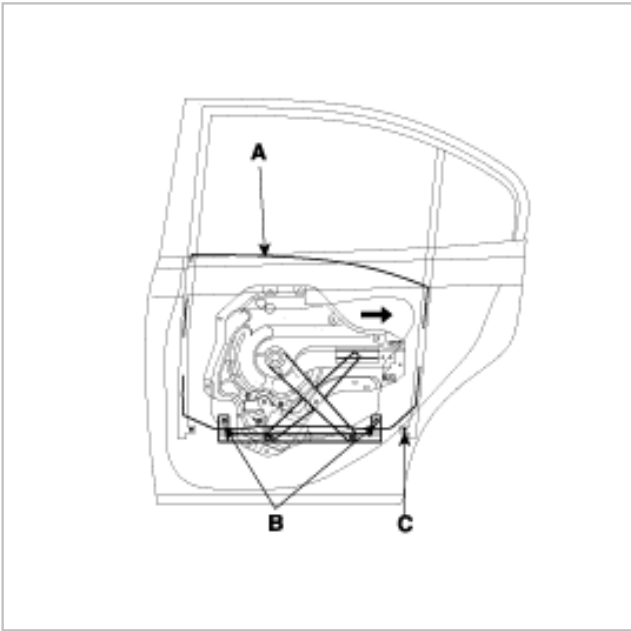
GLASS ADJUSTMENT

NOTE

Check the weatherstrips and glass run channel for damage or deterioration, and replace them if necessary.

1. Remove the door trim (see page BD- 33).

2. Carefully move the glass (A) until you can see the glass mounting bolts (B), then loosen them.



3. Push the glass (A) against the center channel (B), then tighten the glass mounting bolts (C).

4. Check that the glass moves smoothly.

5. Raise the glass fully, and check for gaps. Check that the glass contacts the glass run channel evenly.

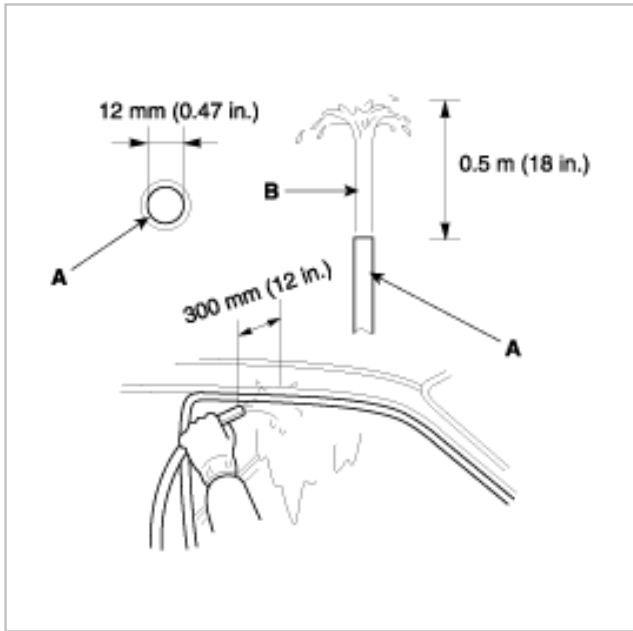
6. Check for water. Run water over the roof and on the sealing area as shown, and note these items:

A. Use a 12mm (1/2in.) diameter hose (A).

B. Adjust the rate of water flow as shown (B).

C. Do not use a nozzle.

D. Hold the hose about 300mm(12in.) away from the door (C).



DOOR POSITION AND STRIKER ADJUSTMENT

Adjust the door position and striker (see page BD- 29).