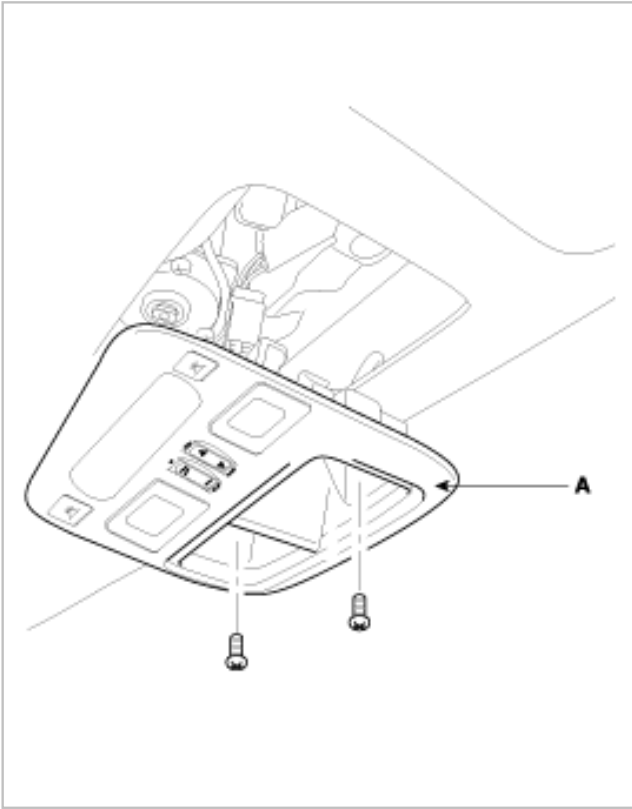


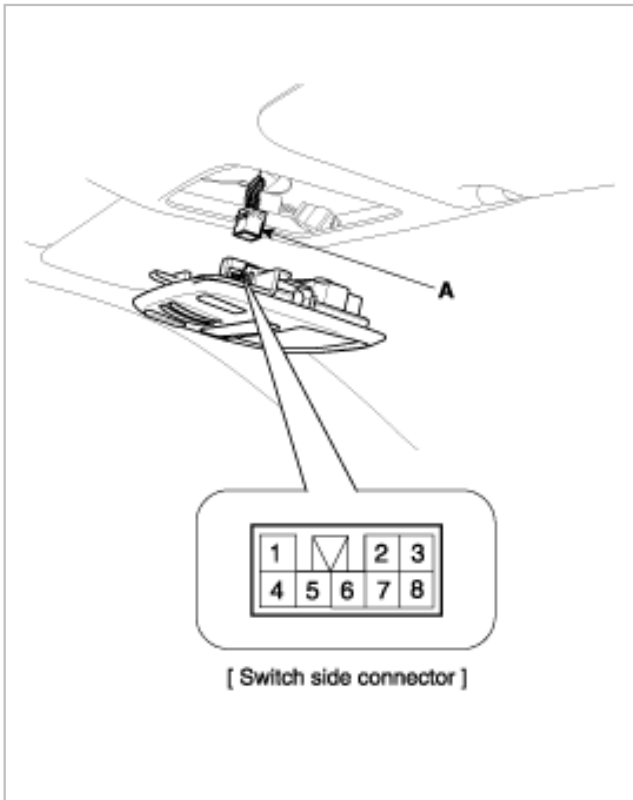


INSPECTION

1. Disconnect the negative (-) battery terminal.
2. Open the sunglass case from the overhead console then remove the 2 screws holding the overhead console (A).



3. Disconnect the 8P connector (A) then remove the overhead console lamp assembly from the headliner. Check for continuity between the terminals. If the continuity is not as specified, replace the sunroof switch.



Position		Terminal				
		3	4	5	6	7
Slide switch	OPEN	○	—	—	—	○
	CLOSE	○	—	—	○	
Tilt switch	UP	○	—	○		
	DOWN	○	○			