



## REPLACEMENT

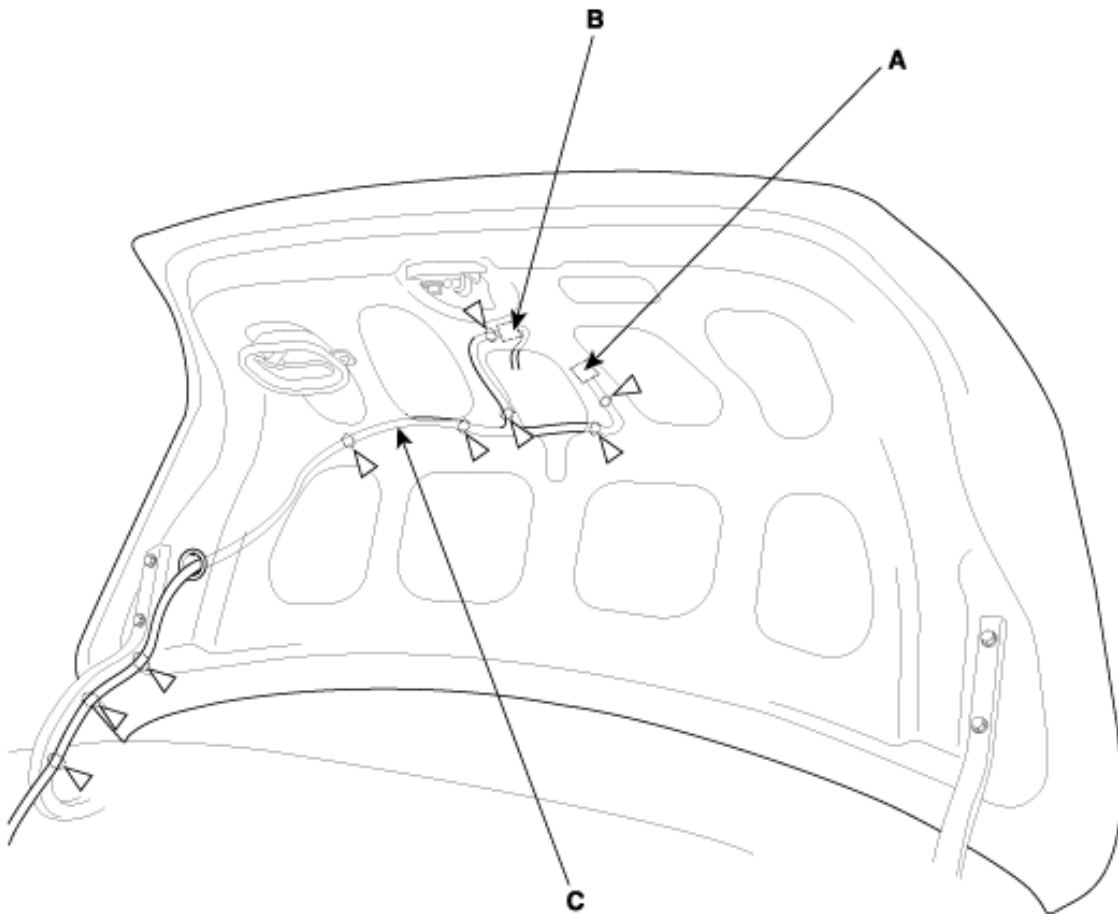
### TRUNK LID REPLACEMENT

#### NOTE

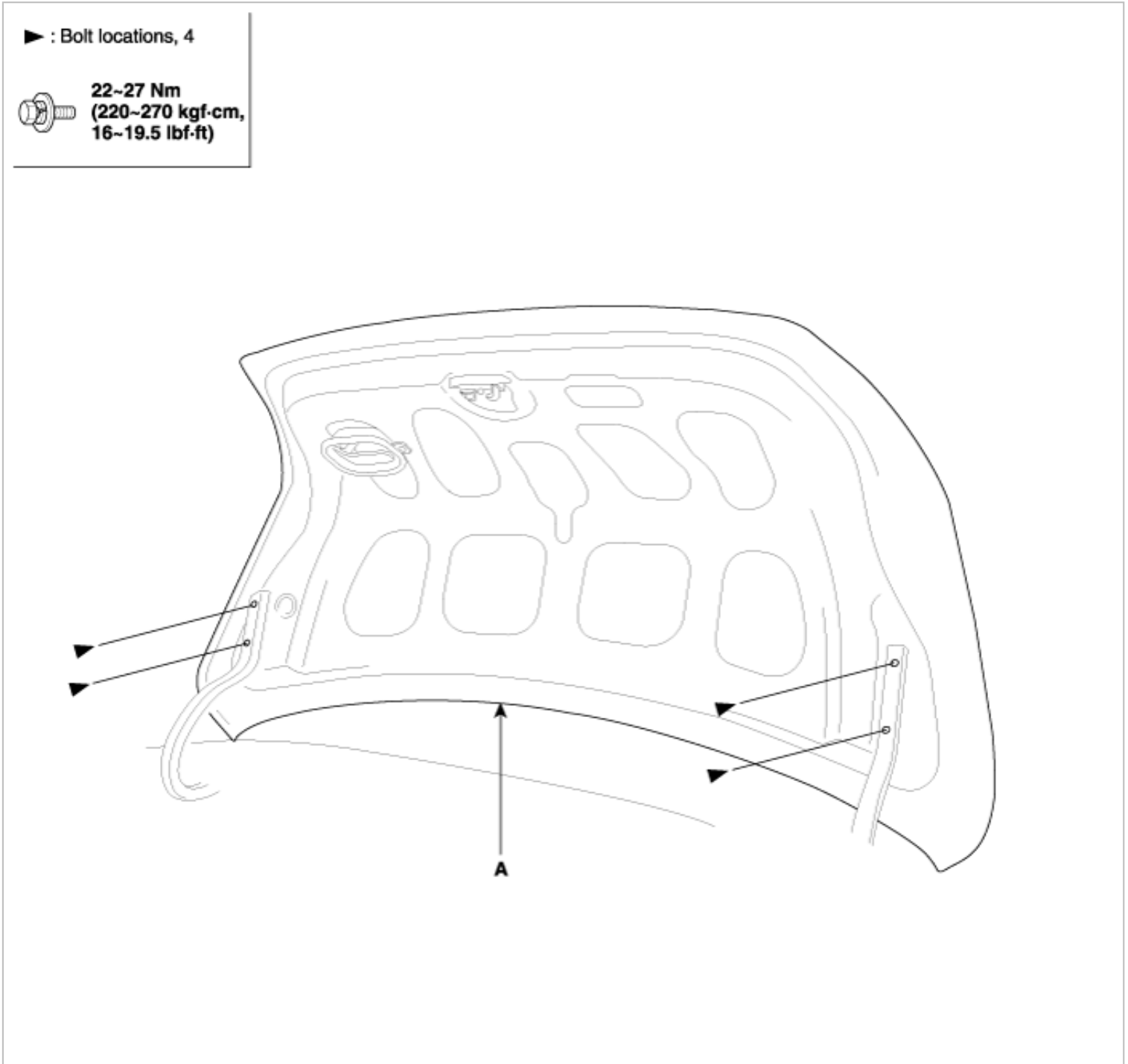
- When removing and installing the trunk lid, an assistant is necessary.
- Wear gloves to protect hands from injury.

1. Disconnect the key cylinder connector (A) and license lamp connector (B).
2. Disconnect the harness (C) wiring from the panel.

▷ : Clip locations, 9



3. Loosen the bolts, then remove the trunk lid (A).



4. Installation is the reverse of removal.

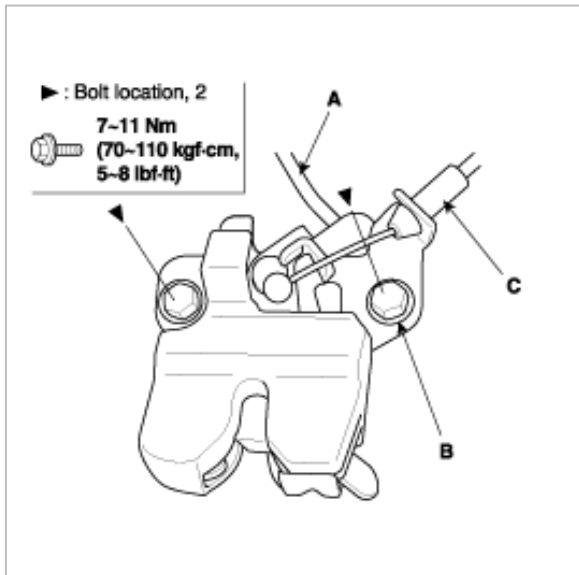
#### NOTE

- Make sure the connectors are plugged in properly, and opener cable is connected properly, and the wire harness and opener are routed properly.
- Make sure the trunk lid opens properly and locks securely.
- Adjust the trunk lid alignment (see page BD- 19)

## TRUNK LID LATCH REPLACEMENT

1. Disconnect the key cylinder connecting rod (A).

2. Loosen the latch mounting bolts (B) and disconnect the inside handle cable (C).



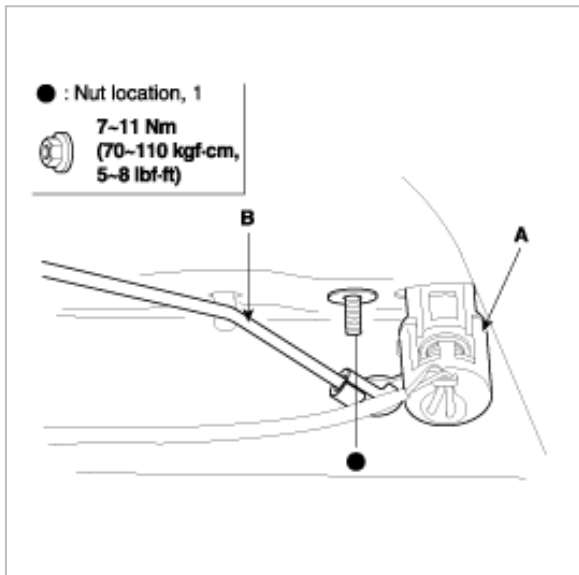
3. Installation is the reverse of removal.

#### NOTE

- Make sure the connector is connected properly and the key cylinder rod is connected properly.
- Make sure the trunk lid opens properly and locks securely.

## KEY CYLINDER REPLACEMENT

1. Remove the trunk lid garnish.
2. Disconnect the key cylinder (A) connecting rod (B), then loosen the key cylinder mounting nut and remove.



3. Installation is the reverse of removal.

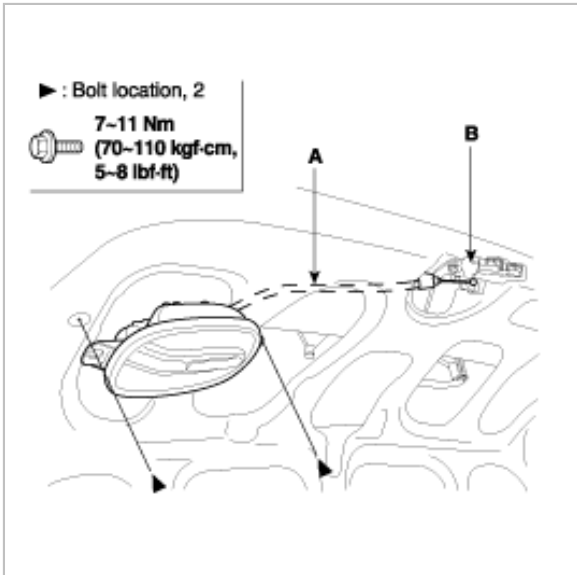
#### NOTE

- Make sure the connector is connected properly and the key cylinder rod is connected properly.
- Make sure the trunk lid opens properly and locks securely.

## INSIDE HANDLE REPLACEMENT

1. Disconnect the inside handle cable (A) from the latch (B).
2. Loosen the inside handle mounting bolts.

3. Installation is the reverse of removal.

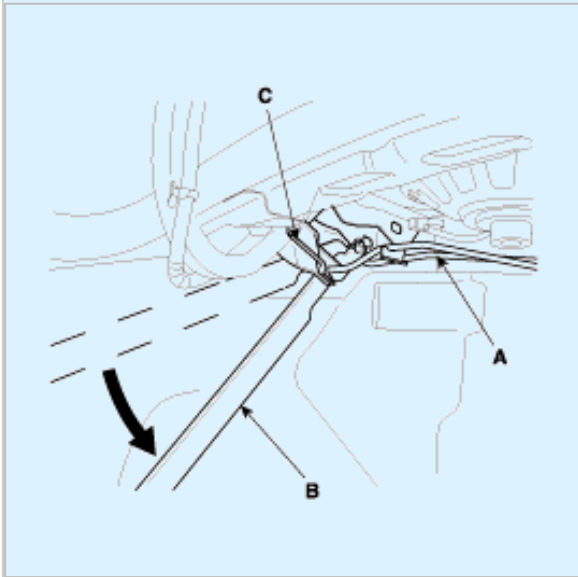


## TORSION BAR REPLACEMENT

1. Remove the torsion bars (A) with the torsion bar wrench (B) from both trunk lid hinge (C).

### CAUTION

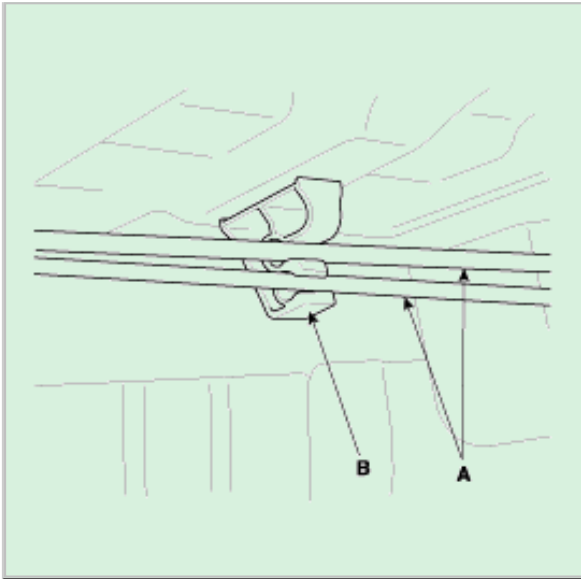
Be careful for the torsion bars not to bound because of its elasticity.



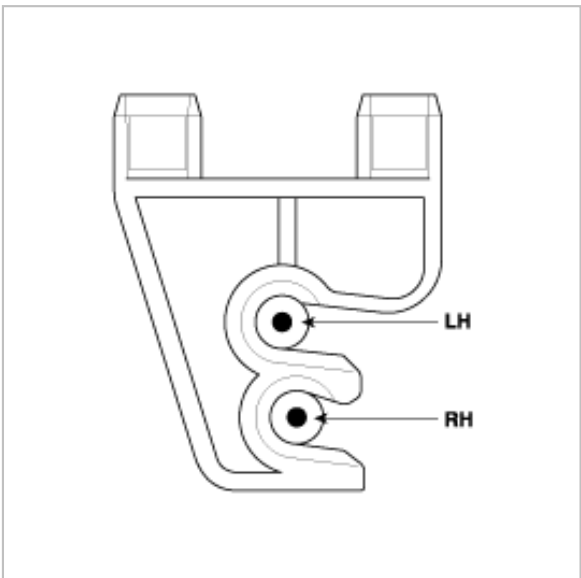
2. Remove the torsion bar (A) from the torsion bar holder (B).

### NOTE

When removing and installing the torsion bar, an assistant is necessary.



3. Installation is the reverse of removal.



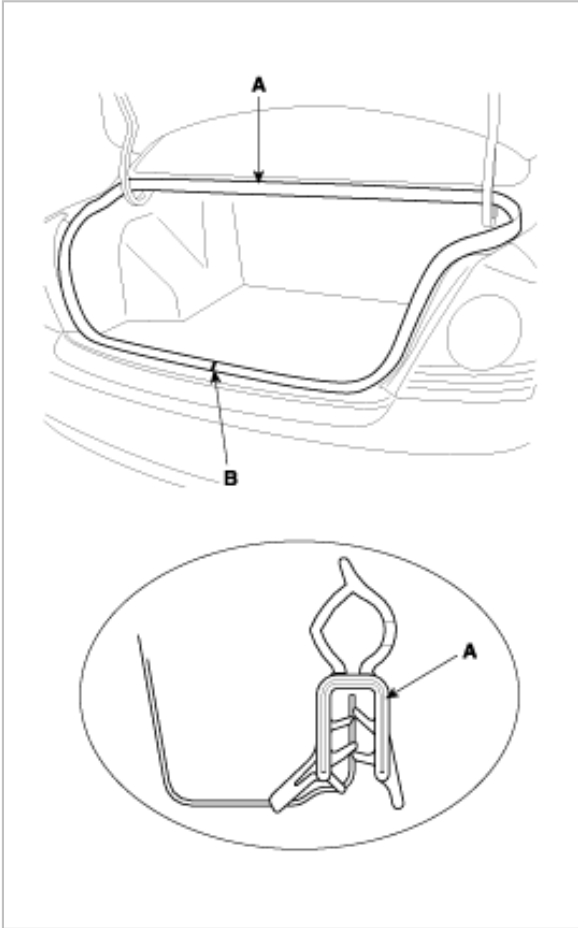
#### NOTE

- RH torsion bar should be installed below the LH Torsion bar in the torsion bar holder.
- Adjust the torsion bars forward or rearward with the torsion bar assembly tool.
- Make sure the trunk lid opens properly and locks securely.

## TRUNK LID WEATHERSTRIP REPLACEMENT

1. Remove the trunk lid weatherstrip (A) by pulling it off.

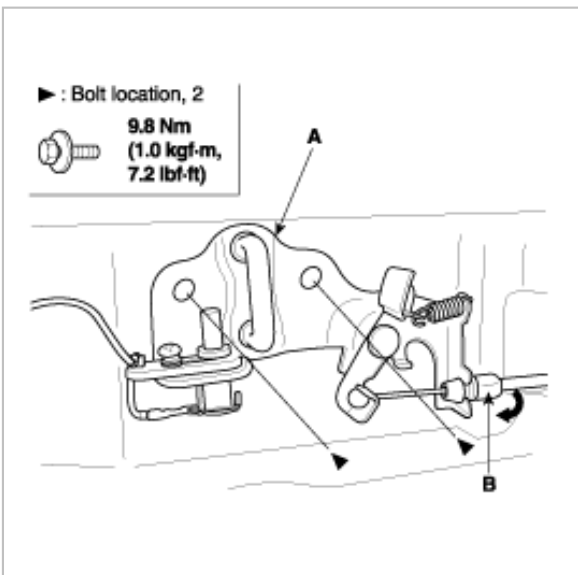
2. Locate the alignment mark (B) in the trunk lid weatherstrip. Align the mark with the alignment tab in the center of the trunk, and install the weatherstrip all the way around facing in the direction shown. Make sure there are no wrinkles in the weatherstrip.



3. Check for water leaks.

## STRIKER REPLACEMENT

1. Remove the transverse trim (see page BD- 65).
2. Remove the striker (A).



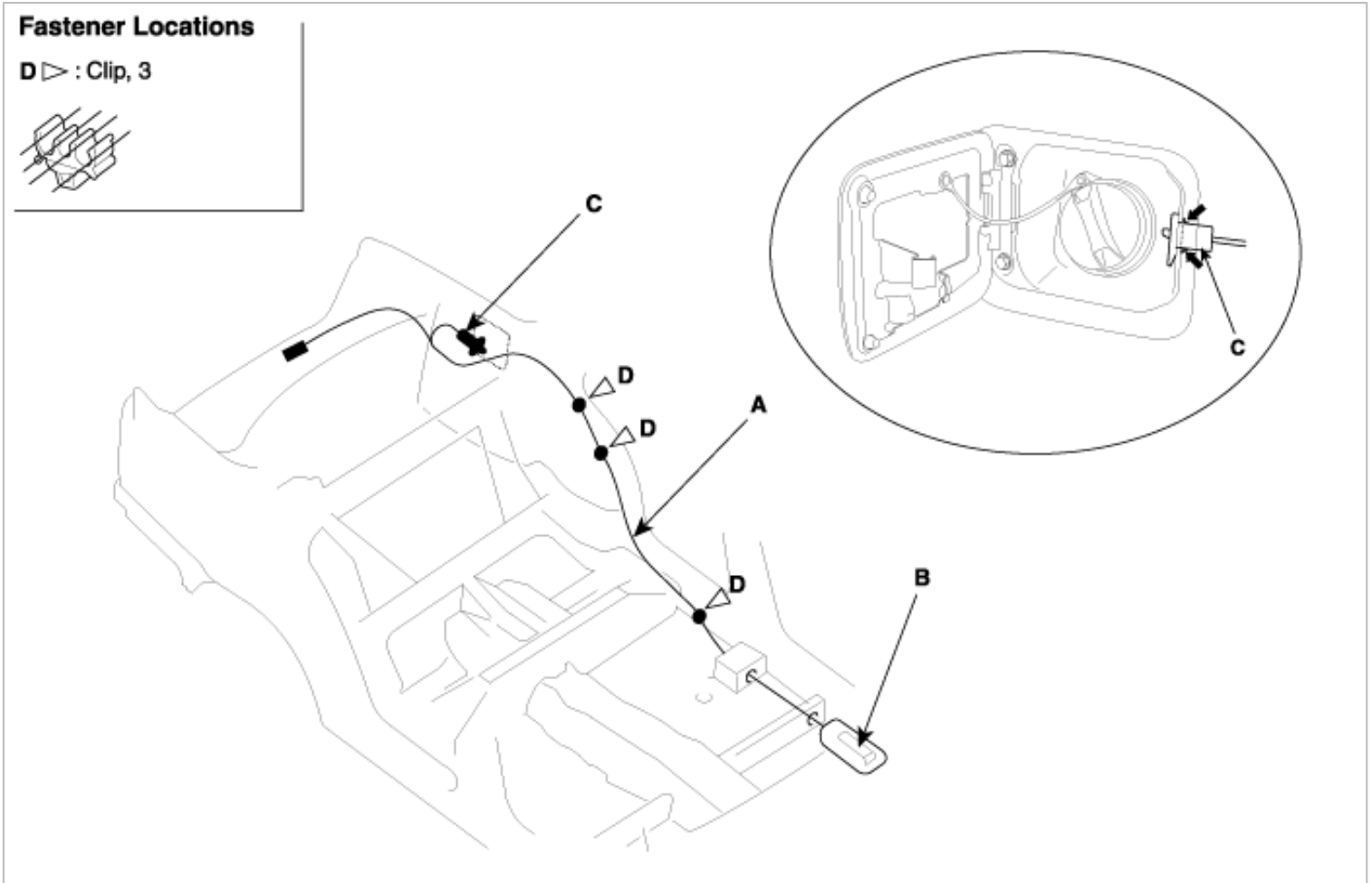
3. Installation is the reverse of the removal.

**NOTE**

- Make sure trunk release cable (B) is connected properly.
- Make sure the trunk lid opens properly and locks securely.

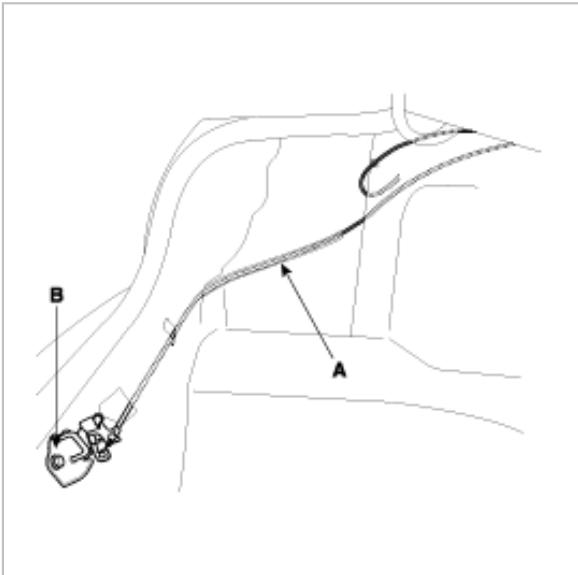
**TRUNK LID FUEL FILLER DOOR RELEASE CABLE REPLACEMENT**

1. Remove the following items.
  - A. Rear seat cushion (see page BD- 89).
  - B. Rear seat side pad (see page BD- 89).
  - C. Front door scuff trim LH (see page BD- 63).
  - D. Rear door scuff trim LH (see page BD- 63).
  - E. Center pillar lower trim (see page BD- 63).
  - F. Luggage trim, left side (see page BD- 65).
  - G. Straker (see page BD- 18).
2. Pull the carpet back as necessary (see page BD- 64).
3. Disconnect the trunk lid fuel filler door release cable (A) from the release handle (B) (see page BD- 21).



4. Remove the release cable (A) from the clip, and disconnect the fuel filler door catch (C), then remove the fuel filler door cable from the vehicle.

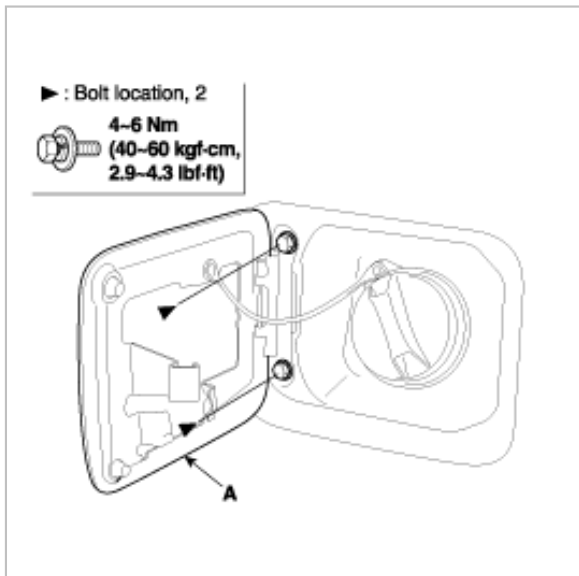
5. Disconnect the trunk lid release cable (A) from the trunk lid striker (B). (see page BD- 18).



6. Installation is the reverse of removal, and replace any damaged clips.

## FUEL FILL DOOR REPLACEMENT

1. Loosen the bolts, then remove the fuel filler door (A).

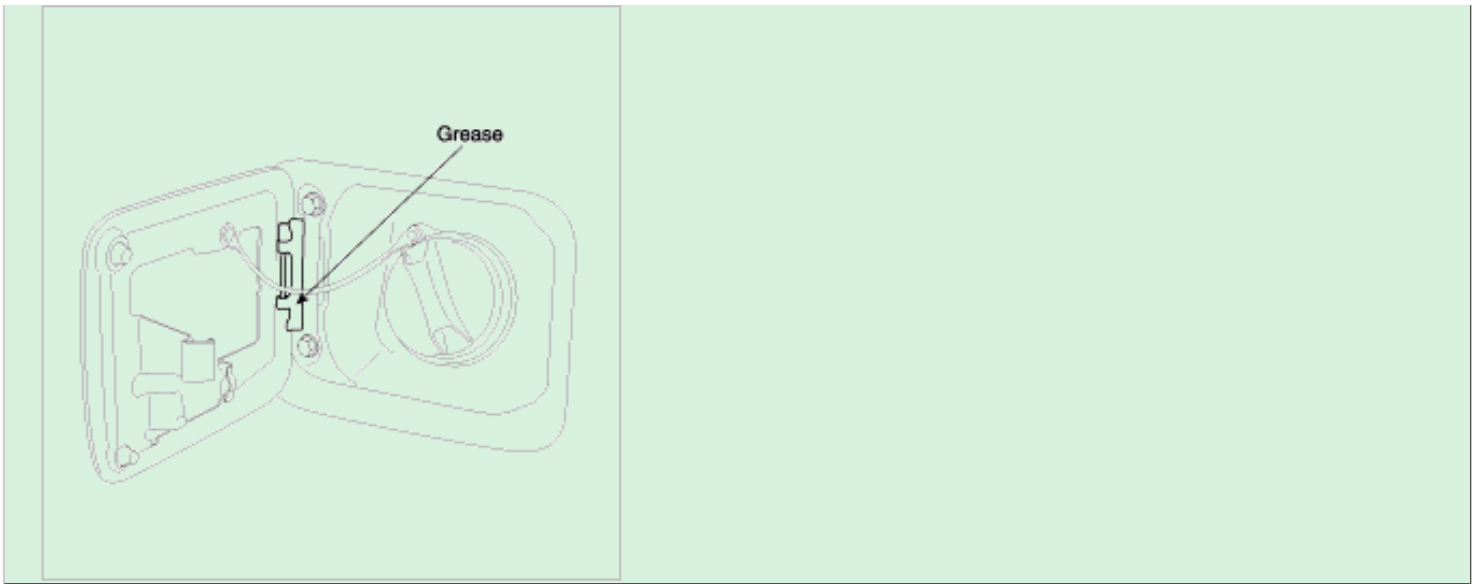


2. Installation is the reverse of removal.

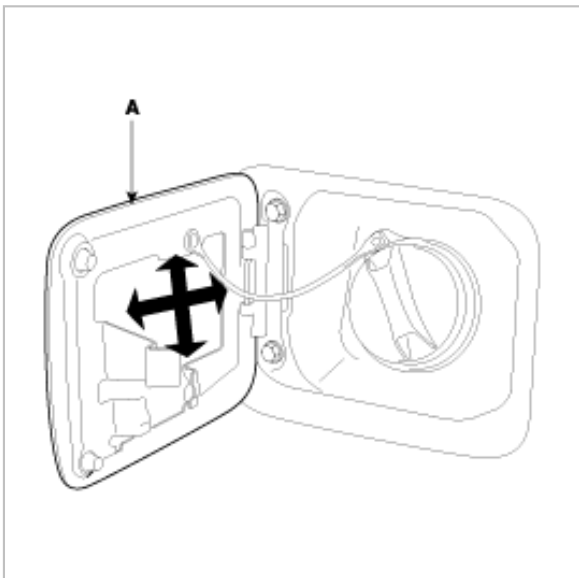
### NOTE

- Grease each location indicated by the arrows.
- Make sure the fuel fill door opens properly and locks securely.



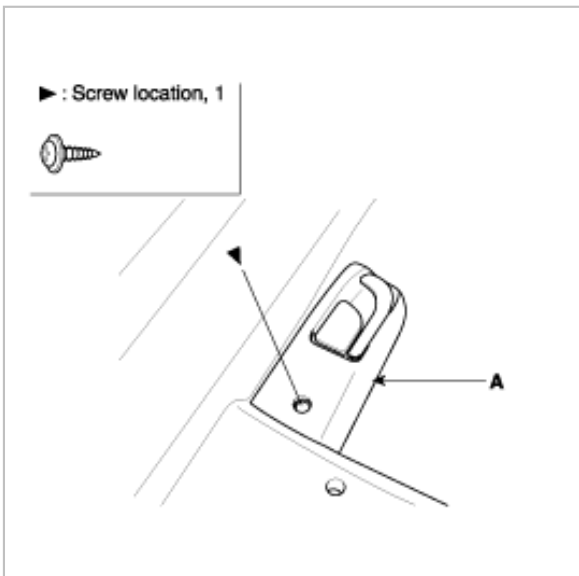


3. Check that the fuel fill door (A) fits flush against the body. If necessary, adjust it.



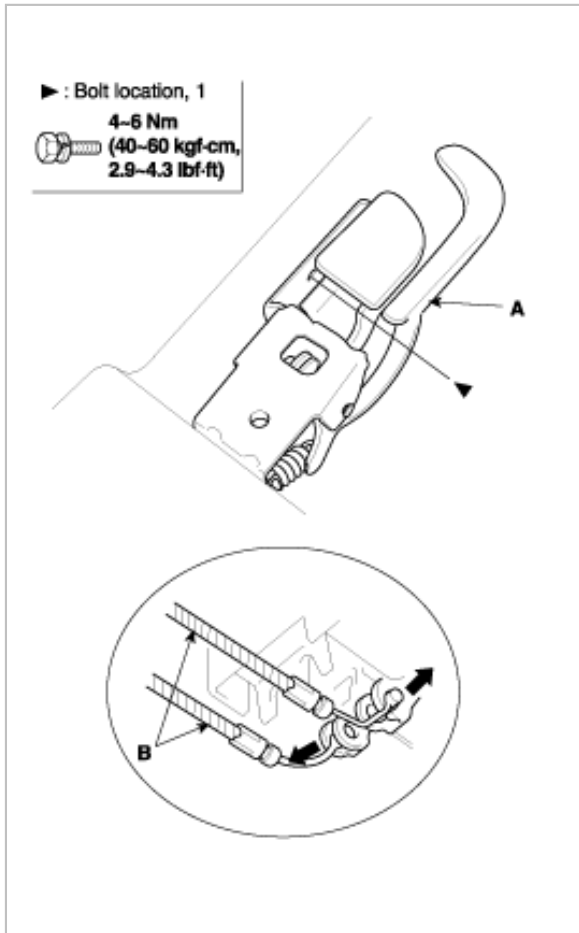
## RELEASE HANDLE REPLACEMENT

1. Remove the cover (A).



2. Loosen the release handle (A), mounting bolt.

Disconnect the release cable (B), then remove the release handle.



3. Installation is the reverse of removal.

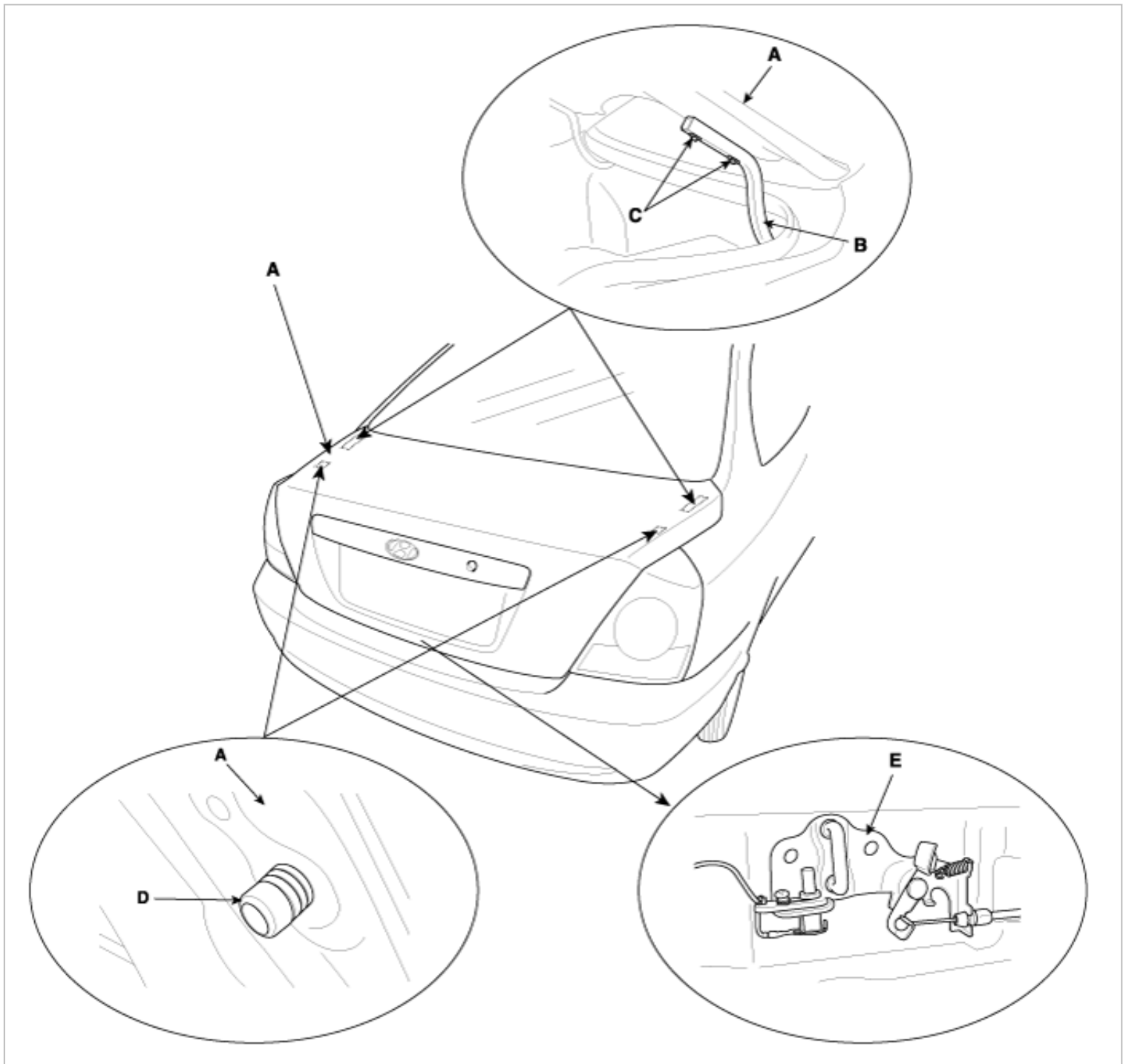
**NOTE**

- Make sure the release cable is connected properly.
- Make sure the fuel filler door/trunk lid open properly.

**ADJUSTMENT**

1. Adjust the trunk lid (A) alignment.

- A. After loosening the trunk lid hinge (B) mounting bolt (C), adjust the trunk lid by moving it up or down, or right or left.
- B. Adjust the trunk lid fit by turning the trunk lid over slam bumper (D).
- C. Adjust the striker (E) by moving it up or down, or right or left.



1. Tighten each bolt securely.
2. Make sure the trunk lid opens and locks securely.