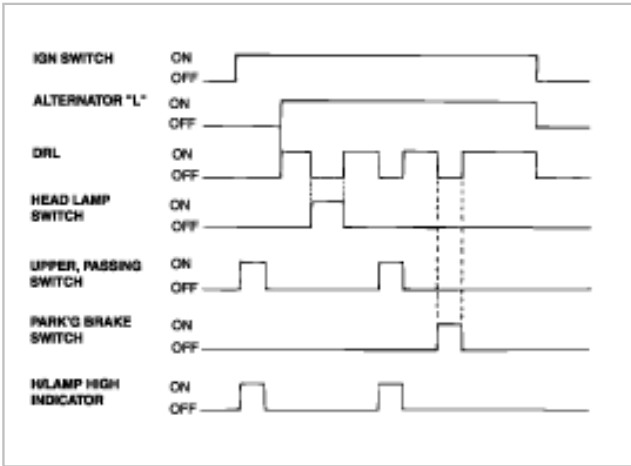




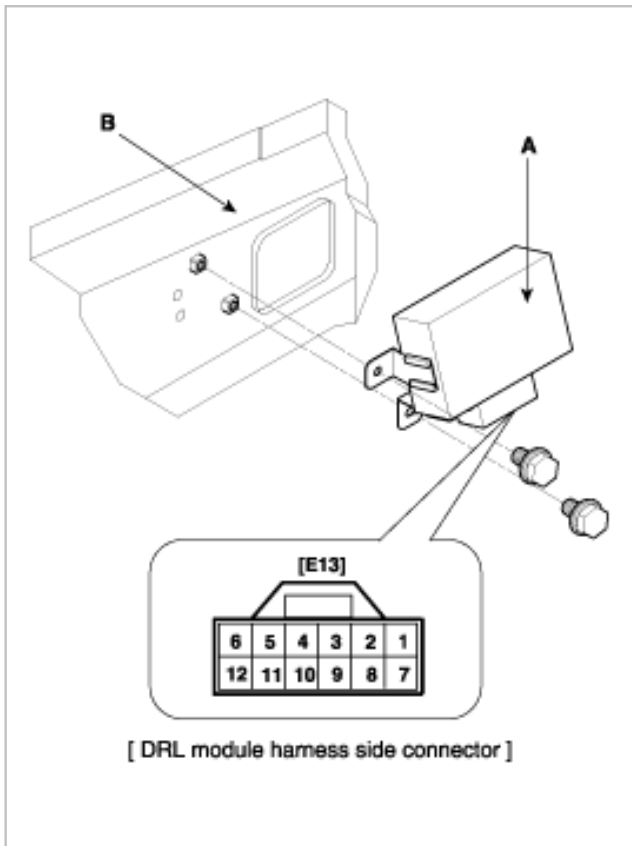
INSPECTION

OPERATION CHECK



INSPECT CIRCUITS FOR DAYTIME RUNNING LIGHT SYSTEM

1. Disconnect the wire connector to DRL module(A) from the right side fender inner panel (B).
2. Inspect the connector on wire harness side as shown.



Tester connection	Condition	Specified condition
1-Ground	Constant	Continuity

5-Ground	Head lamp switch OFF	No continuity
	Head lamp switch ON	Continuity
6-Ground	Constant	Continuity
7-Ground	Constant	Battery voltage
9-Ground	Ignition switch ON or START	Battery voltage
	Ignition switch ACC or LOCK	No voltage
11-Ground	Constant	Battery voltage
3-Ground	Engine Stop	No voltage
	Engine Running	Battery voltage
4-Ground	Parking brake switch ON	Continuity
	Parking brake switch OFF	No continuity

If circuit is not as specified, refer to schematic diagram and inspect short or circuits.