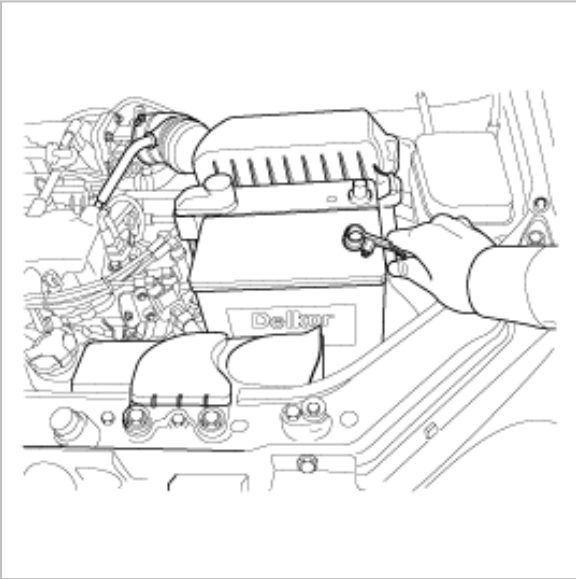




REMOVAL

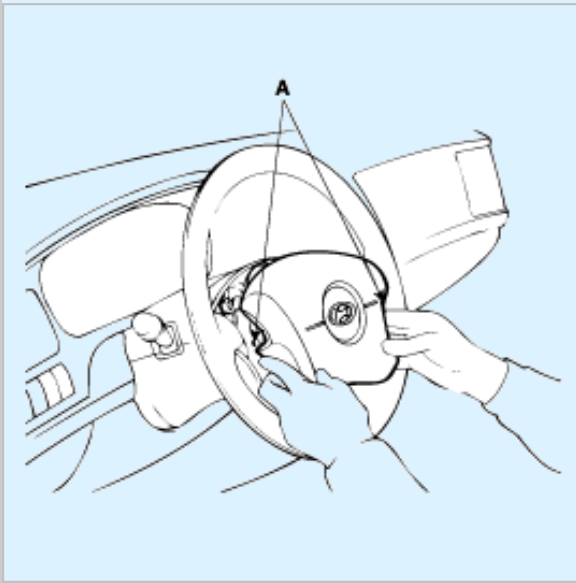
1. Disconnect the negative(-) battery terminal.



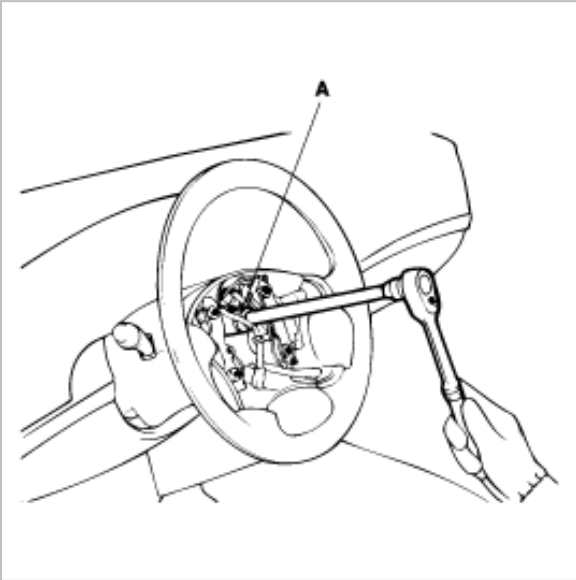
2. Remove the 2 bolts(A) and disconnect the airbag connector and the horn connector, then remove the airbag module.

CAUTION

Remove the horn pad only for vehicle without airbag.



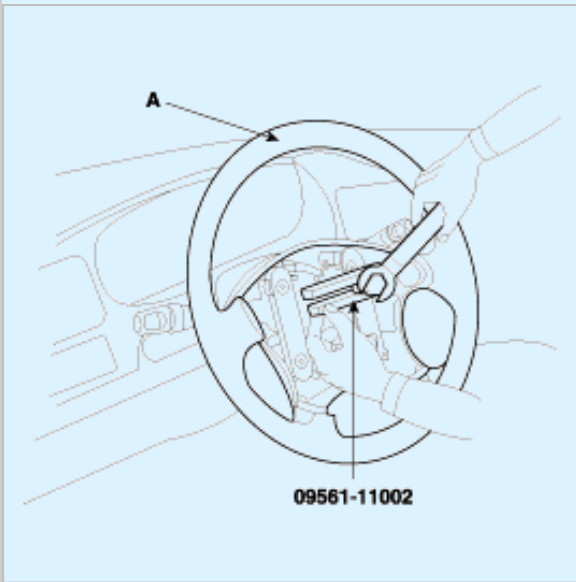
3. Remove the steering wheel lock nut(A).



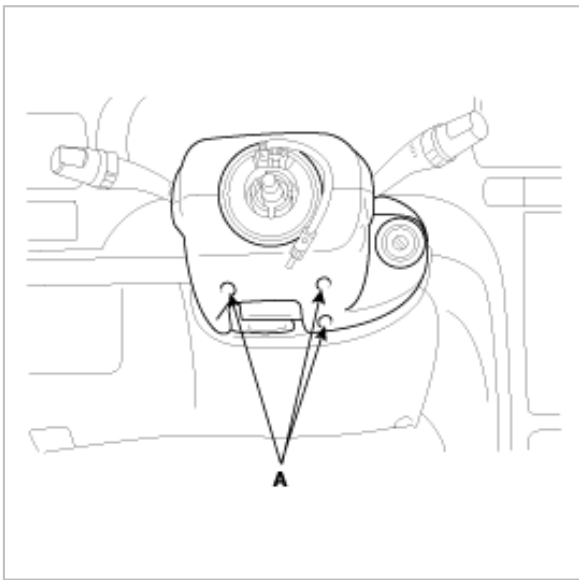
4. Remove the steering wheel(A) with special tool (09561-11002).

CAUTION

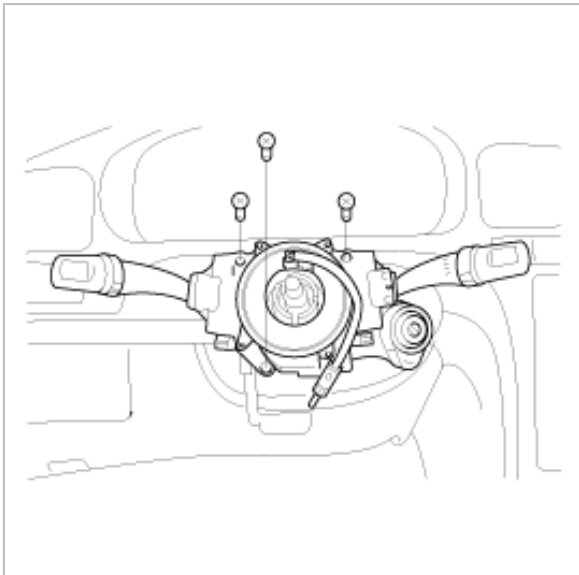
Do not hammer on the steering wheel to remove it. Doing so may damage the collapsible mechanism.



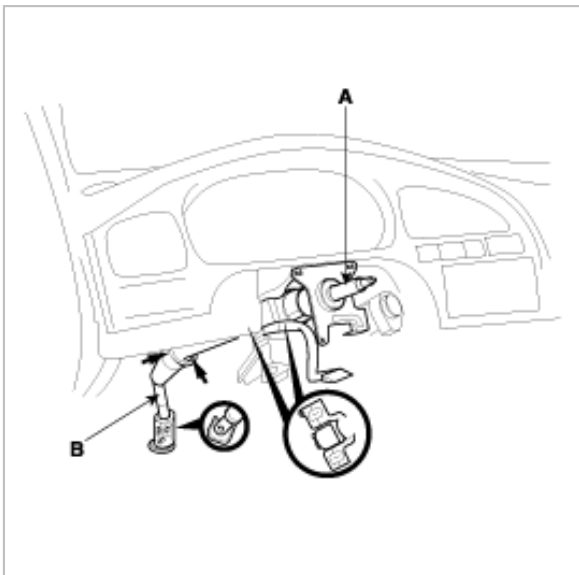
5. Remove the steering column shroud after removing 3 screws(A).



6. Remove the 3 screws holding the multi-function switch, then disconnect the wire connector.
Remove the multi-function switch assembly.

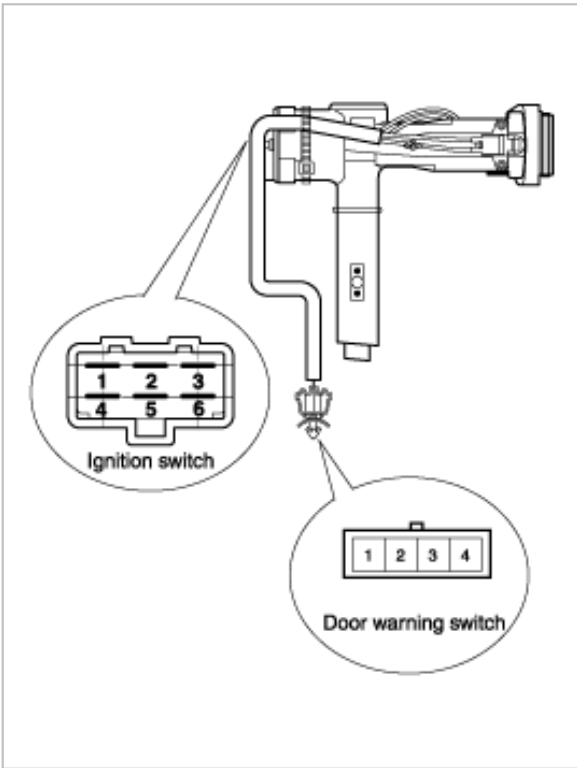


7. Remove the 5 bolts connecting the steering column shaft (A) and the universal joint (B) as shown in the illustration.



8. Remove the key lock assembly from the steering column shaft. (see ST group-steering column/shaft)
9. Installation is the reverse of removal.

INSPECTION



1. Disconnect the ignition switch connector and the door warning switch connector under the steering column.
2. Check for continuity between the terminals.
3. If continuity is not as specified, replace the switch.

POSITION	KEY	IGNITION SWITCH						STEERING		DOOR WARNING SWITCH		KEY HOLE ILLUMINATION	
		5	3	1	2	4	6	TRAVEL	TRAVEL	3	4	1	2
LOCK	REMOVAL							LOCK					
	INSERT							LOCK	UNLOCK				
ACC								UNLOCK					
ON													
START													