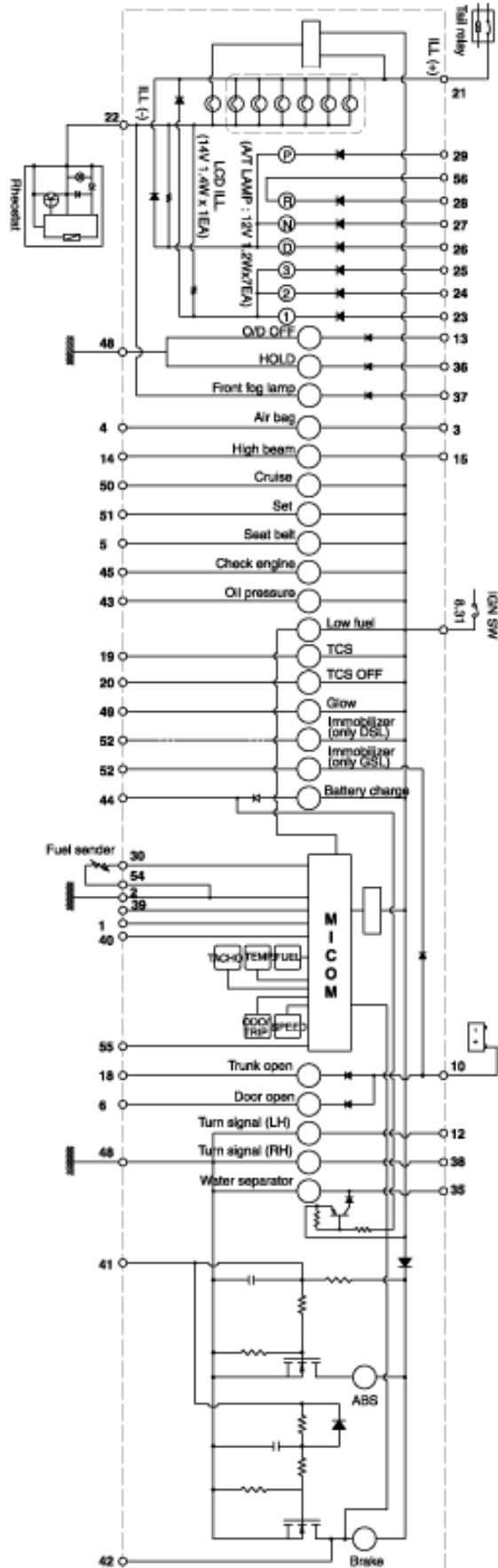




# CIRCUIT DIAGRAM

[Standard type]



# [ Trip computer type ]

