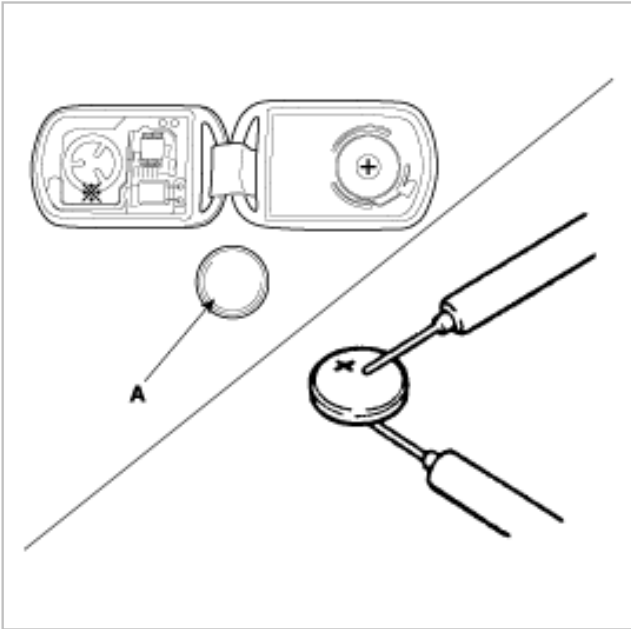




INSPECTION

1. Check that the red light flickers when the door lock or unlock button is pressed on the transmitter.
2. Remove the battery(A) and check voltage if the red light doesn't flicker.

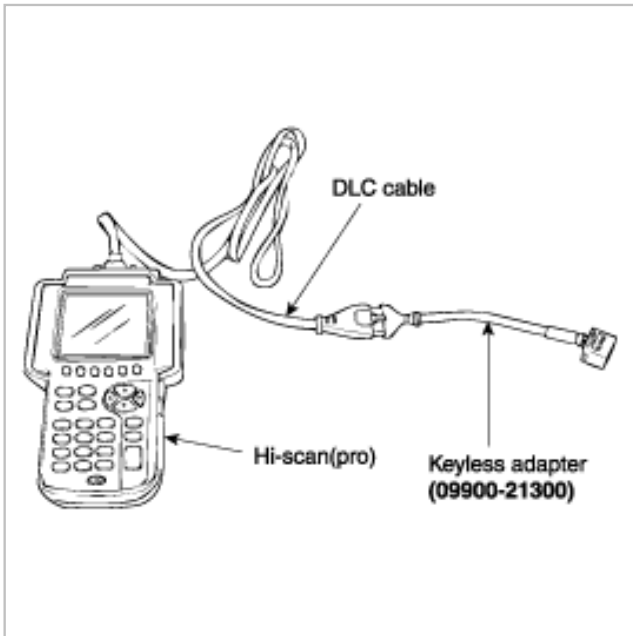
Standard voltage : 3V



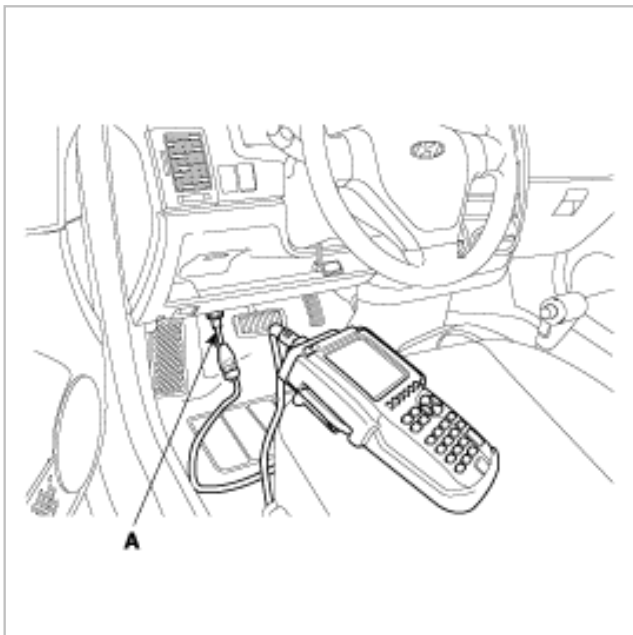
3. Replace the transmitter battery with a new one. If voltage is below 3V then try to lock and unlock the doors with the transmitter by pressing the lock or unlock button five or six times.
4. If the doors lock and unlock, the transmitter is O.K, but if the doors don't lock and unlock, program the transmitter code, then try to lock and unlock the doors.
5. If the doors lock and unlock, the transmitter is O.K, but if the doors don't lock and unlock, replace the transmitter.

PROGRAMMING TRANSMITTER CODE

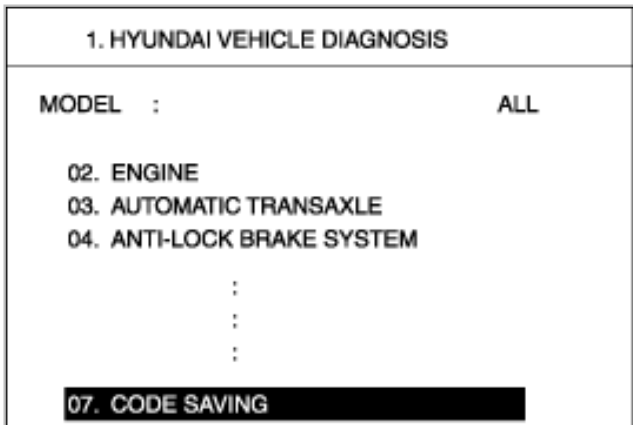
1. To program the transmitter code, first connect keyless adapter (09900-21300) to DLC(Data Link Connector) cable of hi-scan as shown in the illustration.



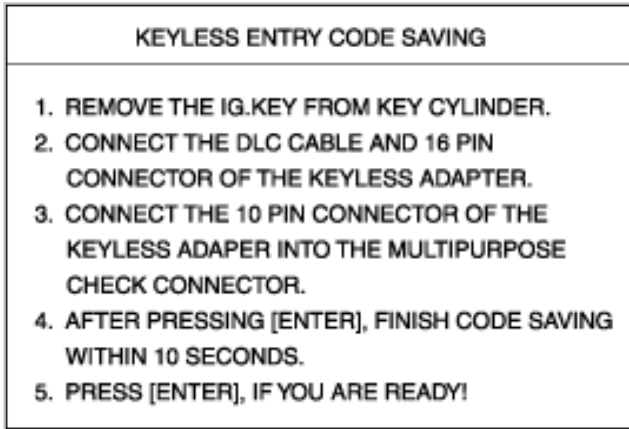
2. After connecting keyless adapter(A) to the multi purpose check connector (10pins) beside data link connector in driver side crash pad lower panel, turn the power on hi-scan.



3. Select the vehicle model and then do "CODE SAVING".

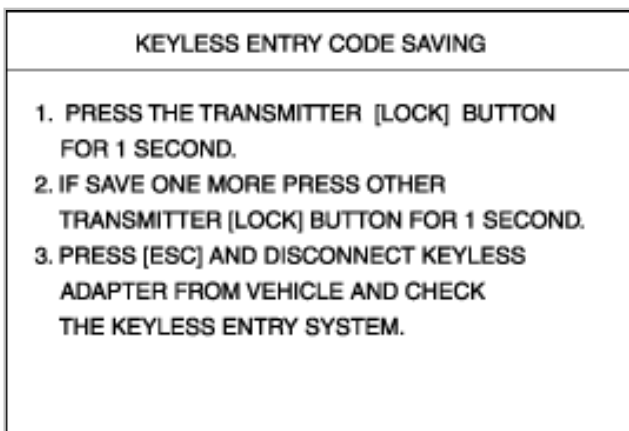


4. After selecting "CODE SAVING" menu, press the "ENTER" key, then the screen will be shown as below.



5. After removing the ignition key from key cylinder, push "ENTER" key to proceed to the next mode for code saving.

Follow steps 1 to 3 for code saving procedures.



6. Disconnect keyless adapter (09900-21300) from DLC cable and then proceed to self-diagnosis with DLC cable connected.