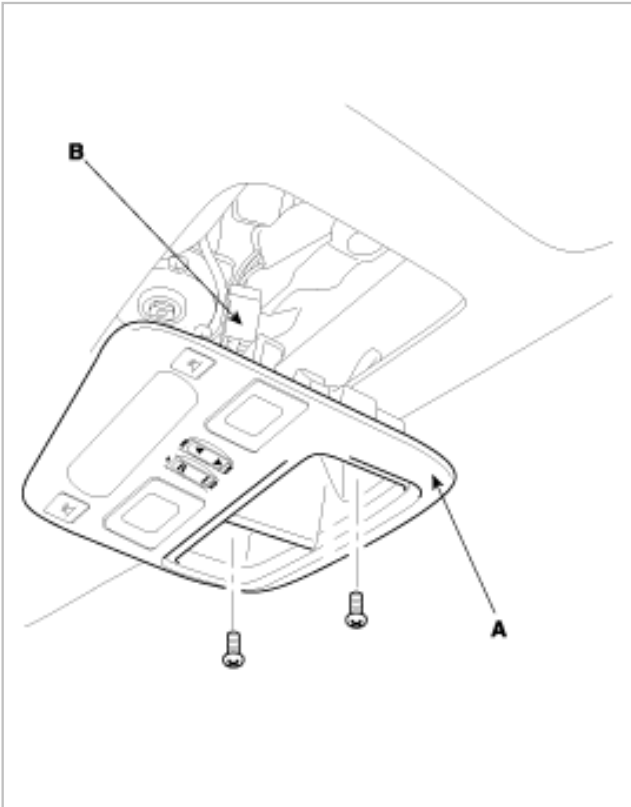




## REMOVAL

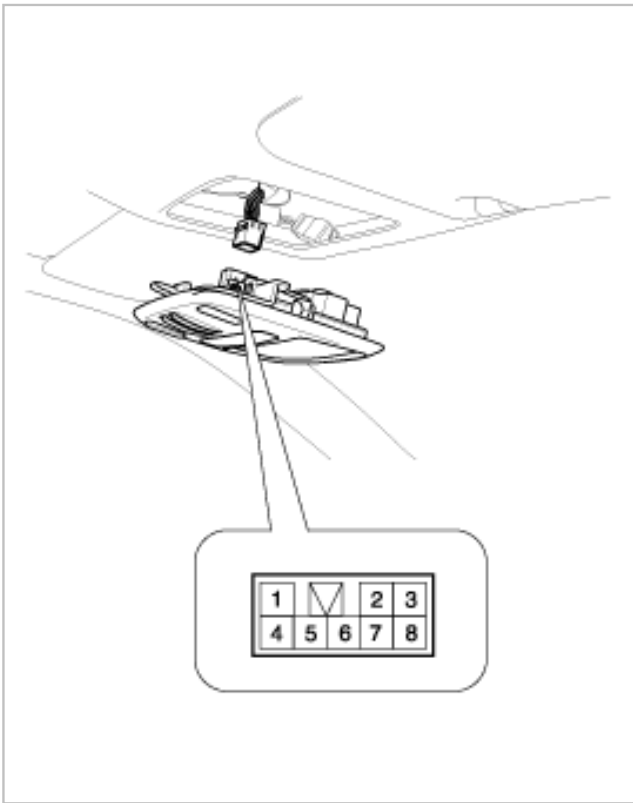
1. Disconnect the negative (-) battery terminal.
2. Open the sunglass case from the overhead console.
3. Remove the overhead console lamp assembly (A) after removing 2 screws and disconnecting the connector (B).



4. Installation is the reverse of removal.

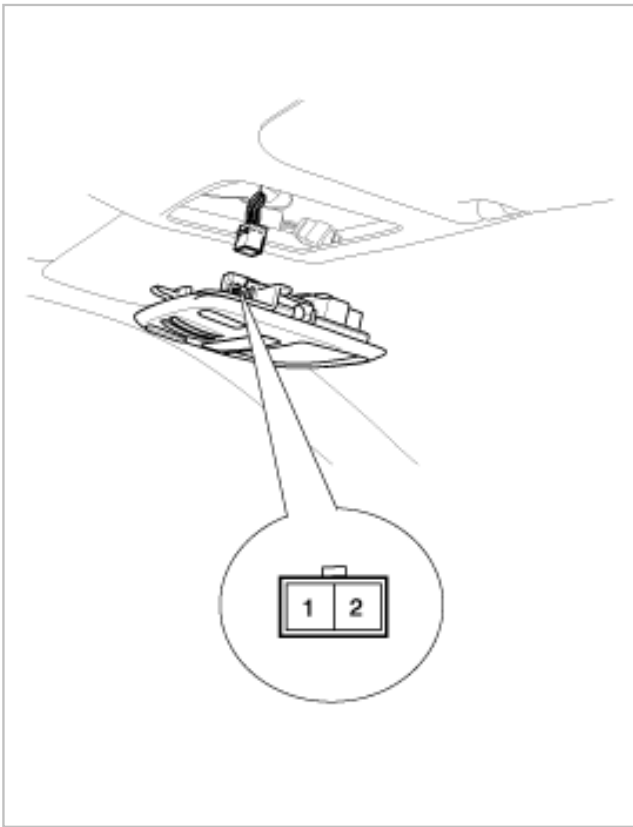
## INSPECTION

[With sunroof]



Terminal	Sort		Map lamp switch			
	Position		LH		RH	
	ON	OFF	ON	OFF		
3						
8						

[Without sunroof]



Terminal	Map lamp switch			
	LH		RH	
	ON	OFF	ON	OFF
1	○		○	
2	○		○	