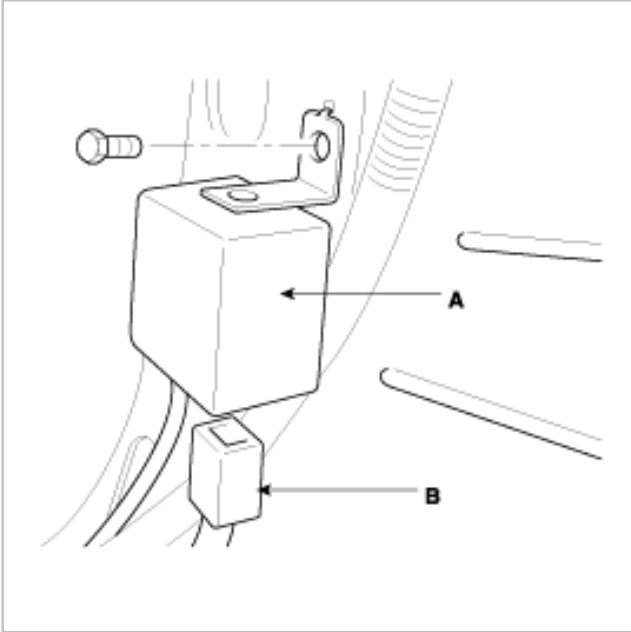


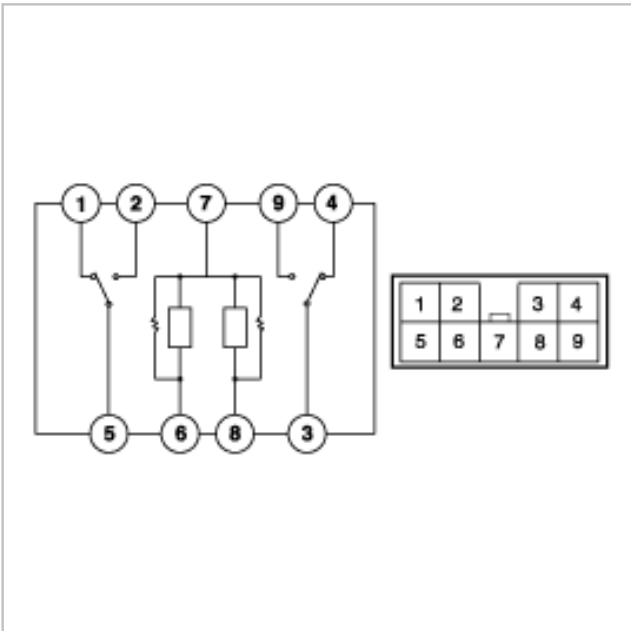


INSPECTION

1. Remove the negative(-) battery terminal.
2. Remove the center facia panel then remove the audio and the heater control unit.
3. Remove the door lock control module (A) from the right side center support bracket.



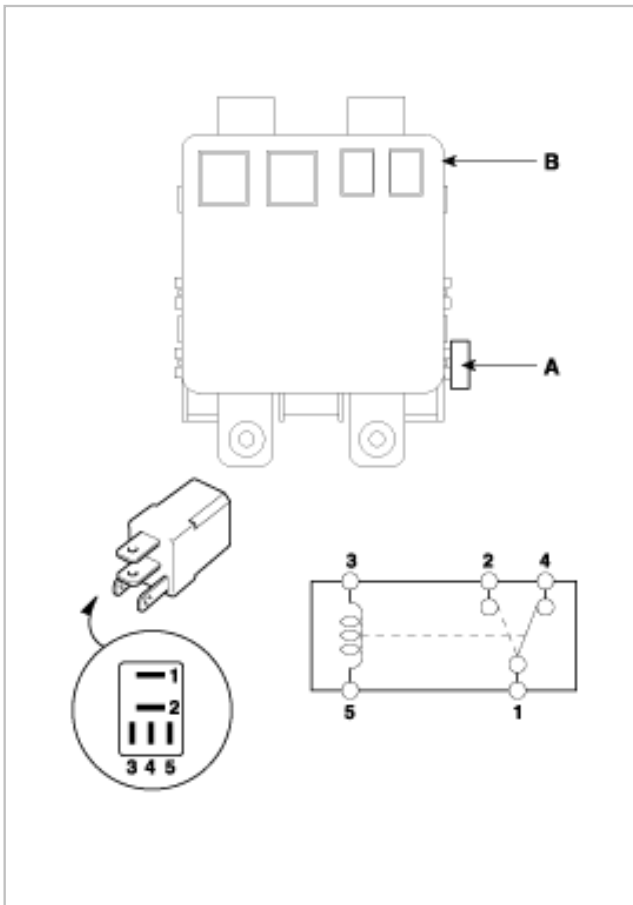
4. Disconnect the 9P connector(B) from the door lock control module, then check for continuity between the terminals.



Terminal Position	1	2	5	7	6	8	4	9	3	
When de-energized	○	—	○					○	—	○
When energized		○	—	○	+	—	○			
					+	—	○		○	—

CENTRAL DOOR LOCK/UNLOCK RELAY TEST

1. Remove the central door lock/unlock relay(A) beside the passenger compartment junction block(B).
Check for continuity between the terminals.
2. There should be continuity between the No.1 and No.2 terminals when power and ground are connected to the No.5 and No.3 terminals.
3. There should be continuity between the No.1 and No.4 terminals when power is disconnected.



Terminal Power (No.3-No.5)	3	5	1	2	4
Disconnected			○	—	○
Connected	○	—	+	○	