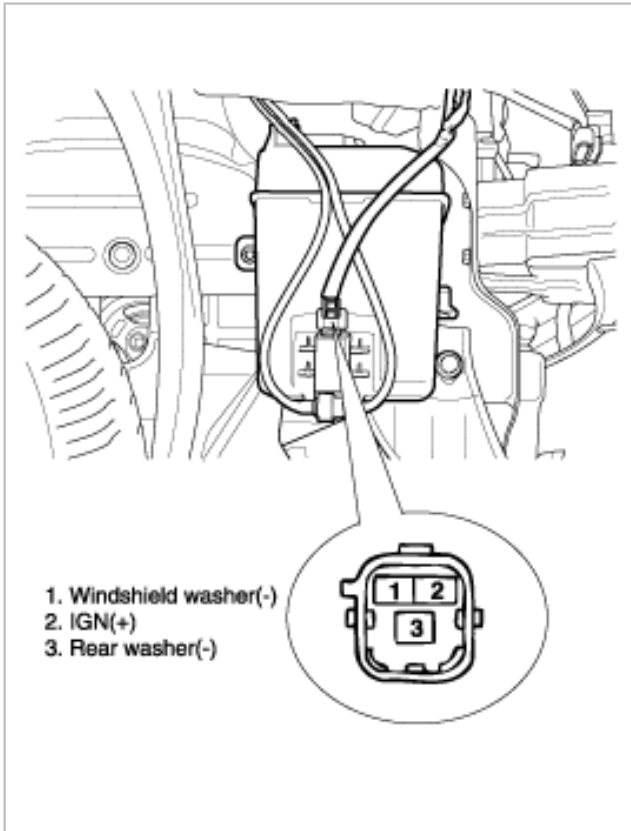
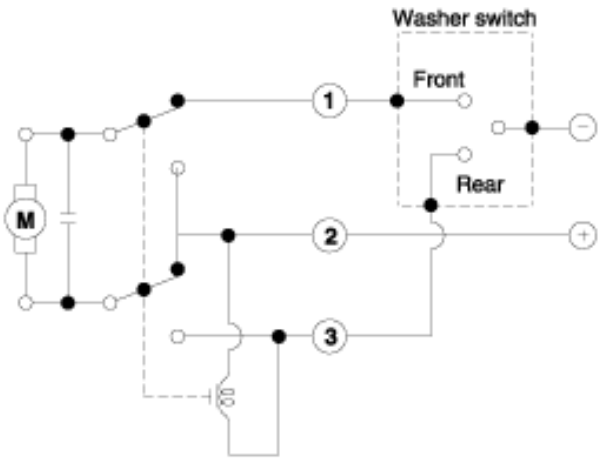




INSPECTION

1. With the washer motor connected to the reservoir tank, fill the reservoir tank with water.
2. Connect positive(+) and negative(-) battery cables to terminals 2 and 3 respectively to see that the washer motor runs and water is pumped.
3. Check that the motor operates normally.
Replace the motor if it operates abnormally.





[Windshield & rear washer motor]