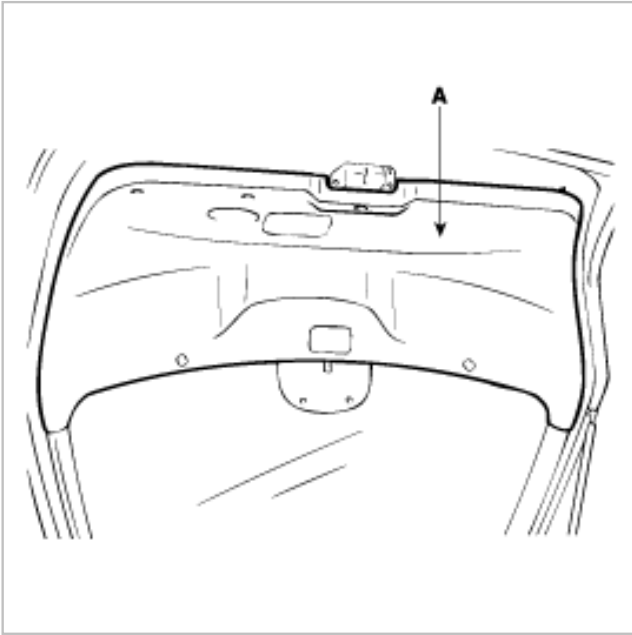


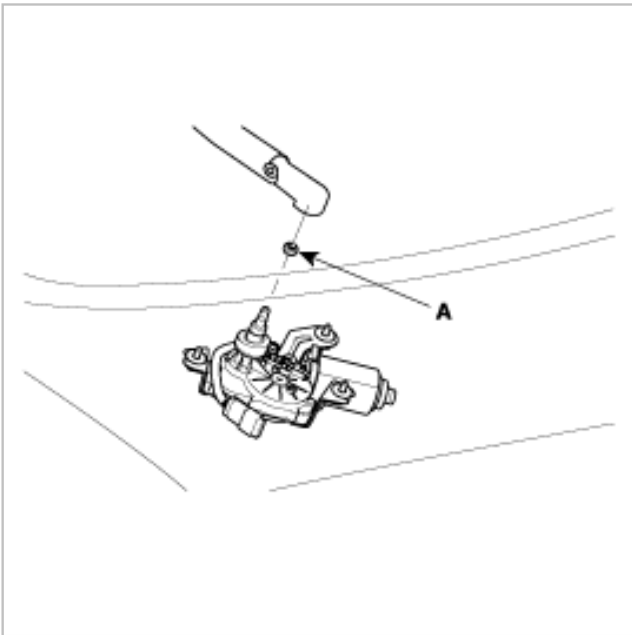


## REMOVAL

1. Remove the tailgate trim panel(A).



2. Remove the rear wiper arm after removing a nut(A).



---

### Tightening torque

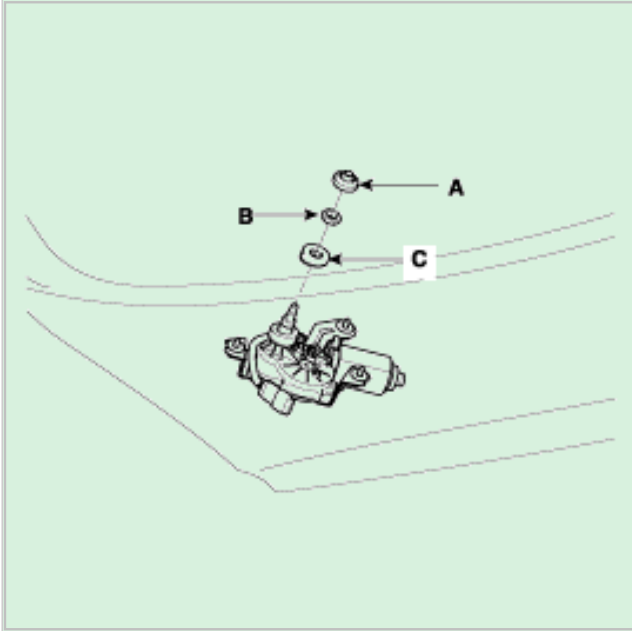
14~17 Nm (140~170 kg·cm, 10.3~12.5 lb·ft)

---

3. Remove a hexagonal nut(B) after removing a pivot cover(A).

**NOTE**

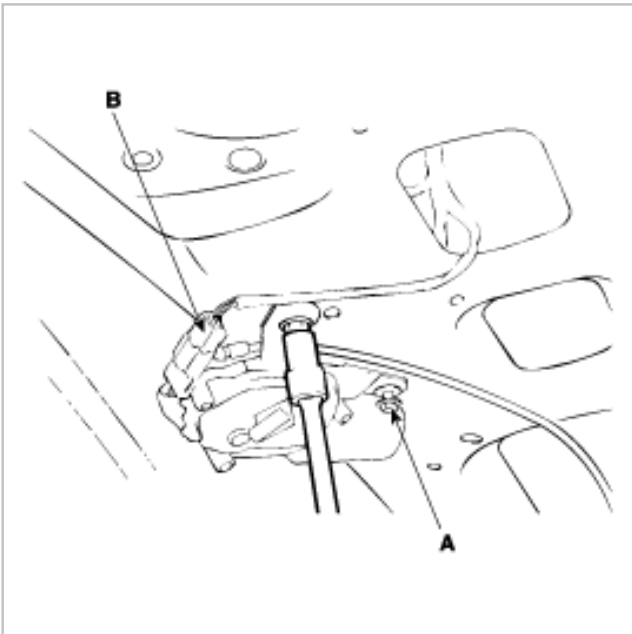
When installing cap & pad(C), the arrow mark should be indicated upward.



**Tightening torque**

10~13 Nm (100~130 kg-cm, 7.3~9.5 lb-ft)

4. Remove the rear wiper motor after removing 3 bolts(A) and disconnect the wire connector(B).



**Tightening torque**

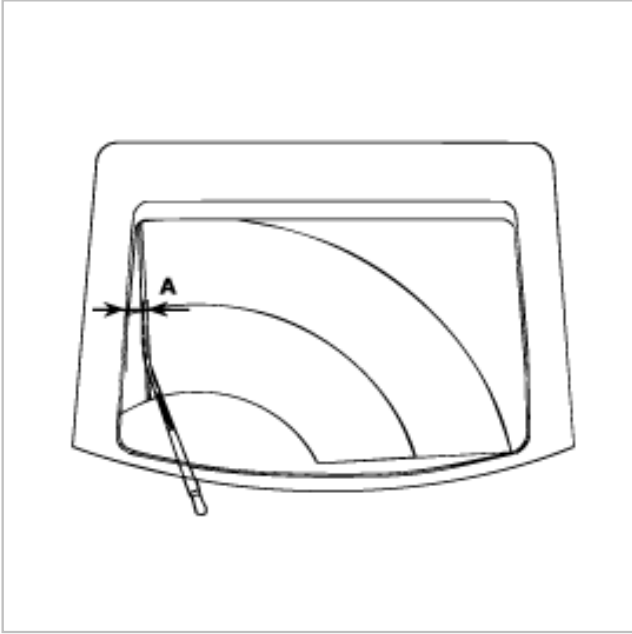
4~7 Nm (40~70 kg-cm, 2.9~5.1 lb-ft)

5. Installation is the reverse of removal.

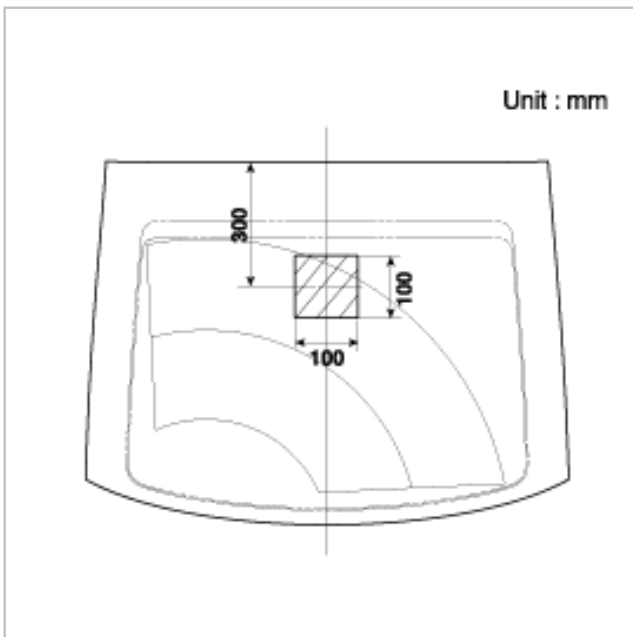
## INSTALLATION

1. Install the rear wiper arm and blade to the specified position.

Specified position	A
Distance	35~45 mm



2. Set the rear washer nozzle on the specified spray position.



## INSPECTION

1. Remove the connector from the rear wiper motor.
2. Connect battery positive (+) and negative (-) cables to terminals 1 and 4 respectively.

3. Check that the motor operates normally. Replace the motor if it operates abnormally.

