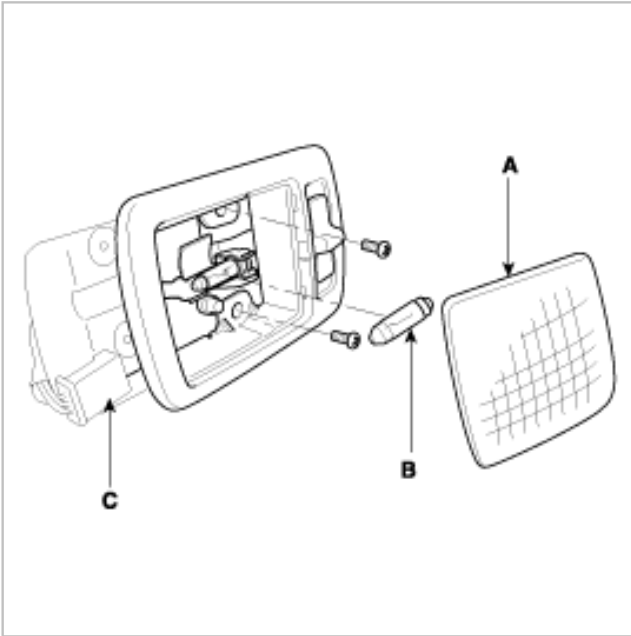




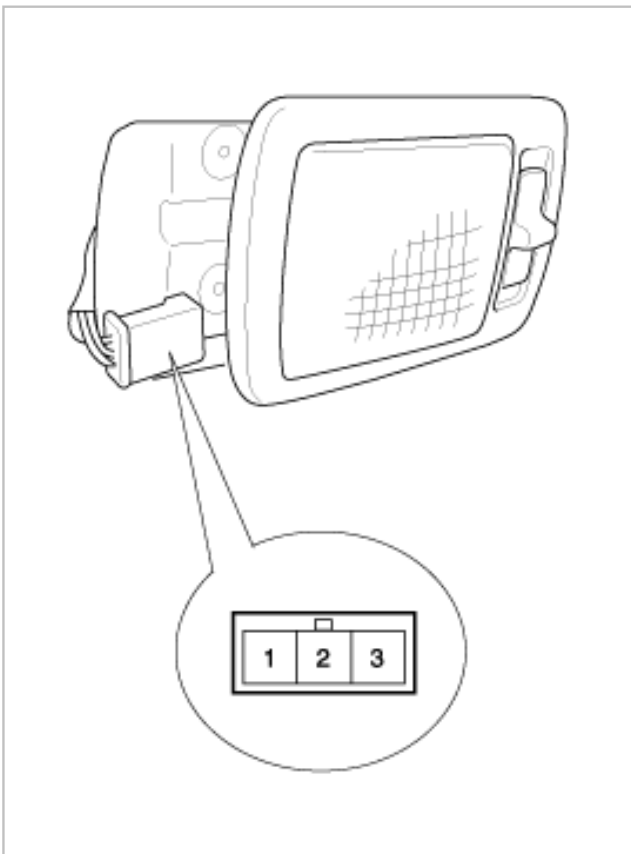
REMOVAL



1. Disconnect the negative(-) battery terminal.
2. Detach the lamp lens (A) from the room lamp with a flat-tip screwdriver, then replace the bulb (B).
3. Remove the room lamp assembly after removing 2 screws and disconnecting the 3P connector (C).



4. Installation is the reverse of removal.

INSPECTION



Terminal Position	1	2	3
ON			
DOOR			
OFF			