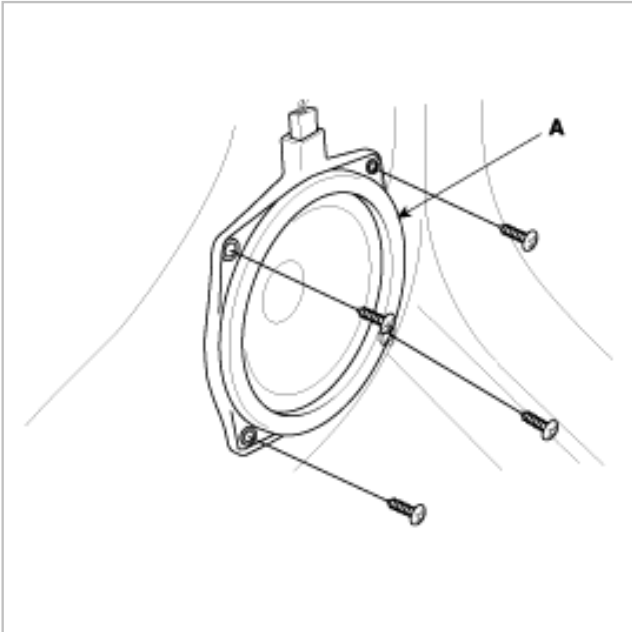




## REMOVAL

### FRONT SPEAKER

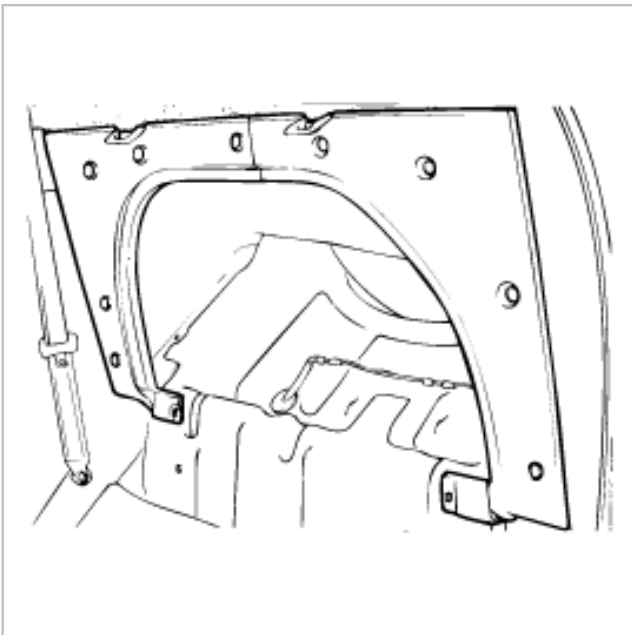
1. Remove the front door trim panel (see BD group - front door).
2. Remove the front speaker(A) after removing 4 screws.



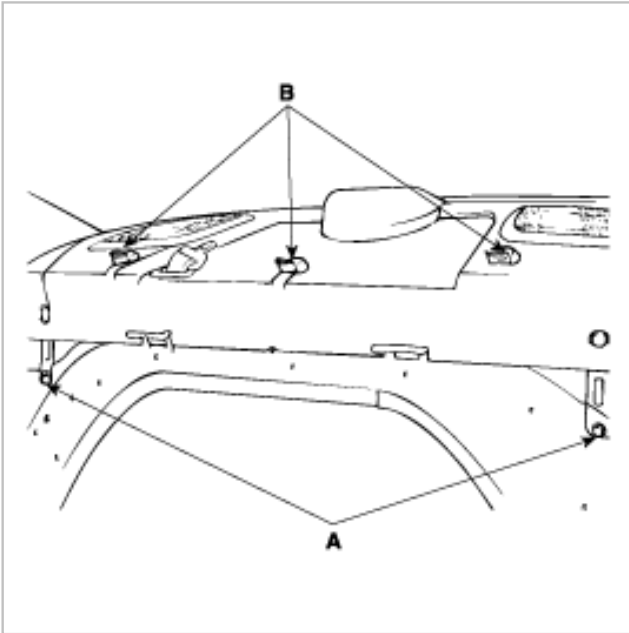
3. Installation is the reverse of removal.

### REAR SPEAKER

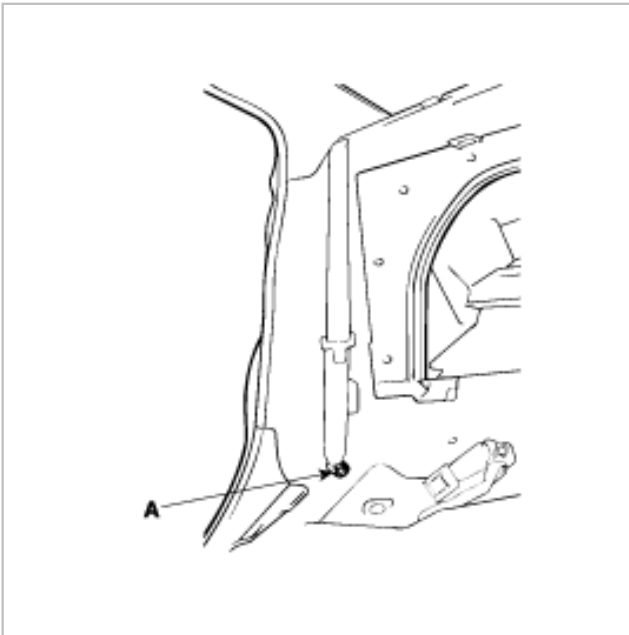
1. Remove the rear seats (see BD group - rear seats).
2. Remove the partition trim after removing plugs.



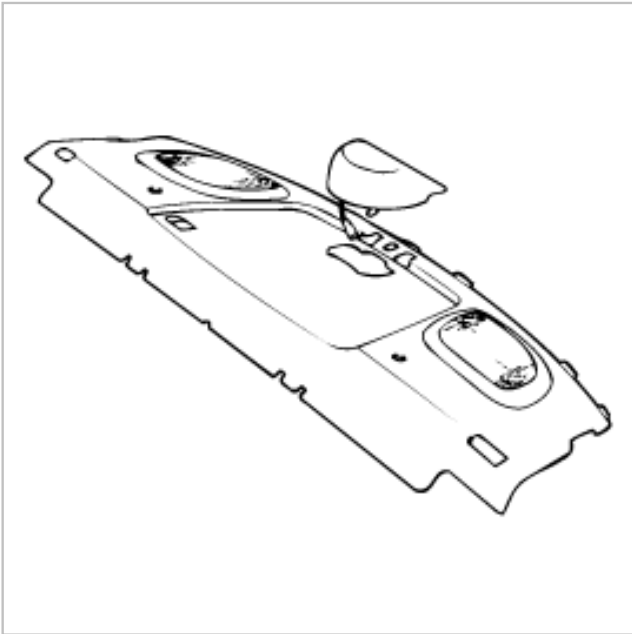
3. Remove the bolts(A) and plugs(B) from the rear package tray trim.



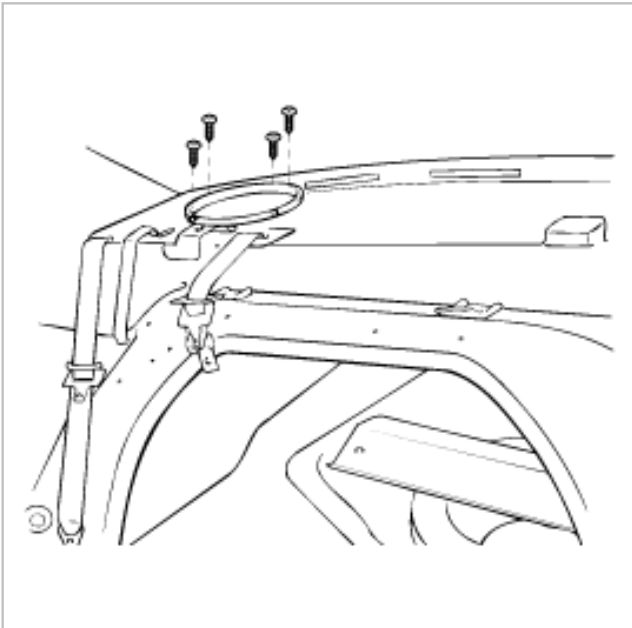
4. Remove the rear seat belt lower mounting bolt(A).



5. Remove the rear package tray trim.



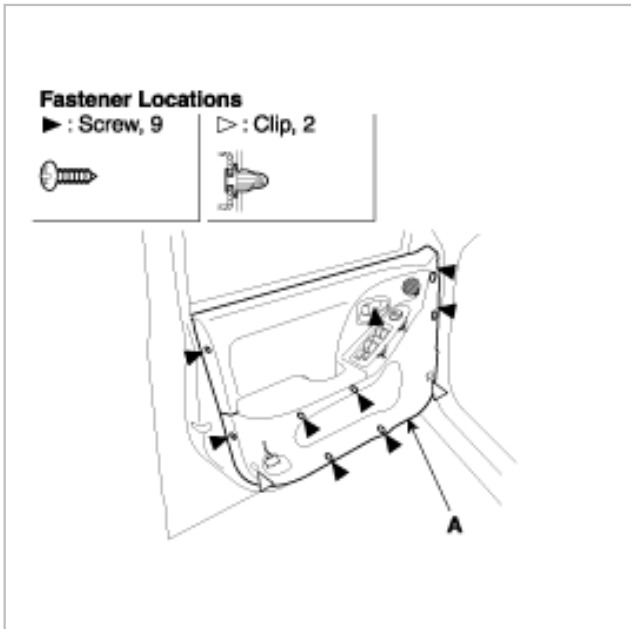
6. Remove the rear speaker after removing 4 screws.



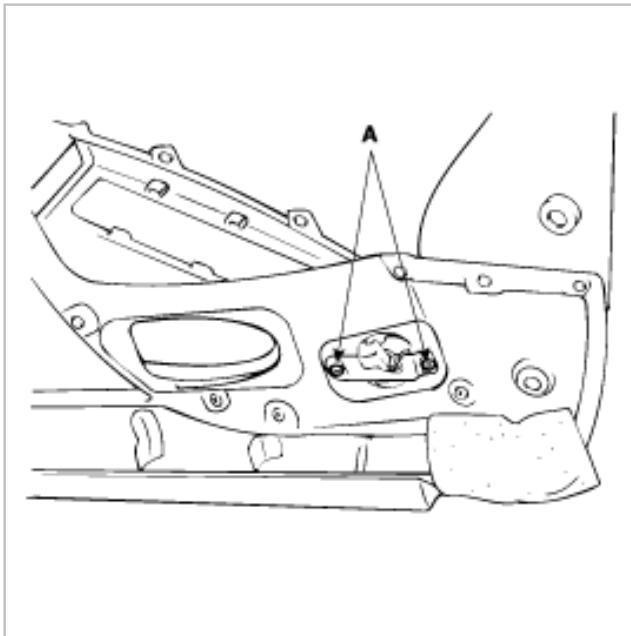
7. Installation is the reverse of removal.

## **TWEETER SPEAKER**

1. Remove the front door trim panel(A) after removing 9 screws.



2. Remove the tweeter speaker after removing 2 screws(A).



3. Installation is the reverse of removal.

## INSPECTION

1. Check the speaker with an ohmmeter. If an ohmmeter indicates the correct impedance of the speaker when checking between the speaker (+) and speaker (-) of the same channel, the speaker is ok.

2. If a clicking sound is emitted from the speaker when the ohmmeter is connected to the speaker terminals, the speaker is ok.

