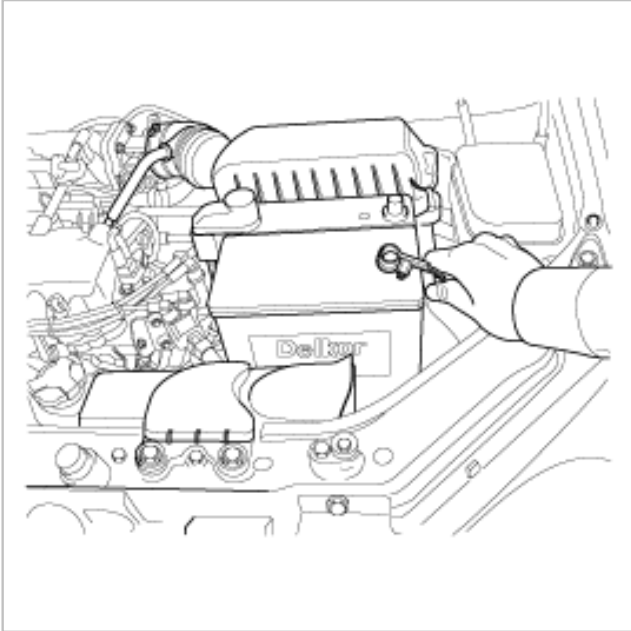




REMOVAL

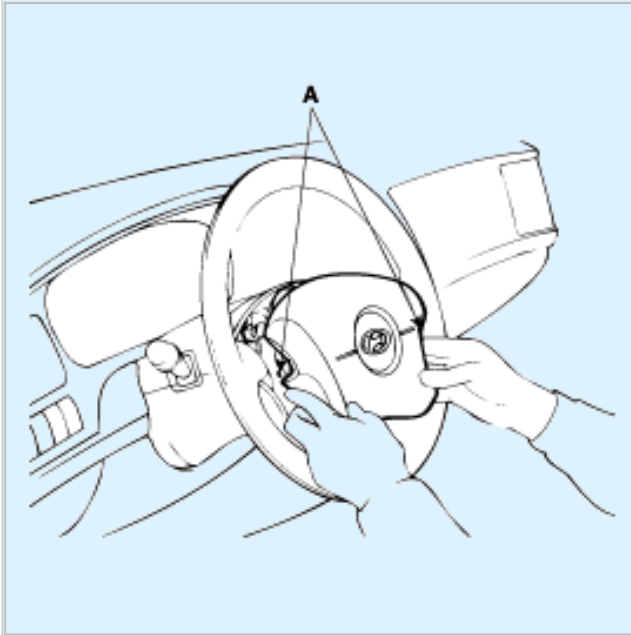
1. Disconnect the negative(-) battery terminal.



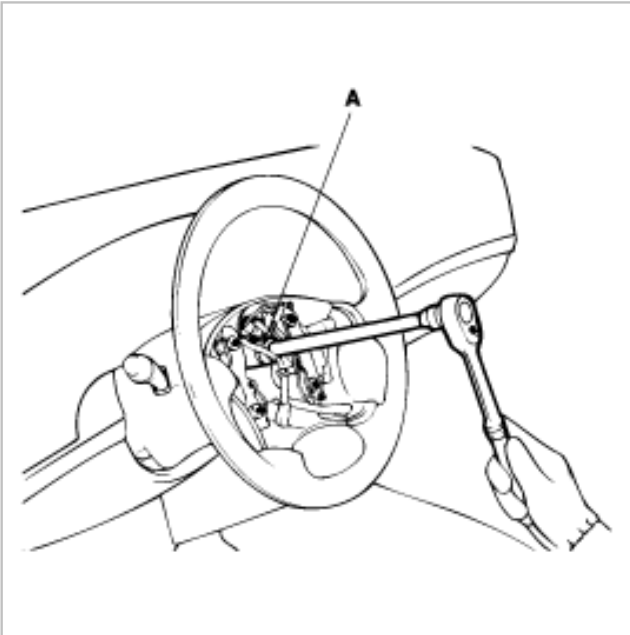
2. Remove the 2 bolts(A) and disconnect the airbag connector and the horn connector, then remove the airbag module.

CAUTION

Remove the horn pad only for vehicle without airbag.



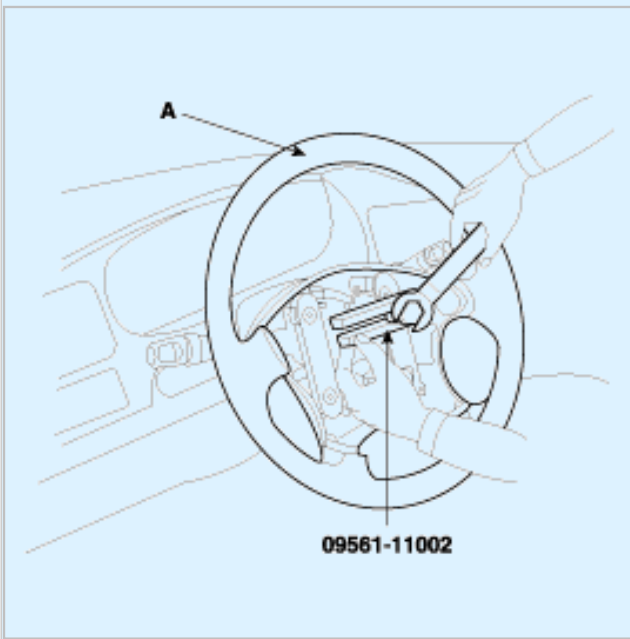
3. Remove the steering wheel lock nut(A).



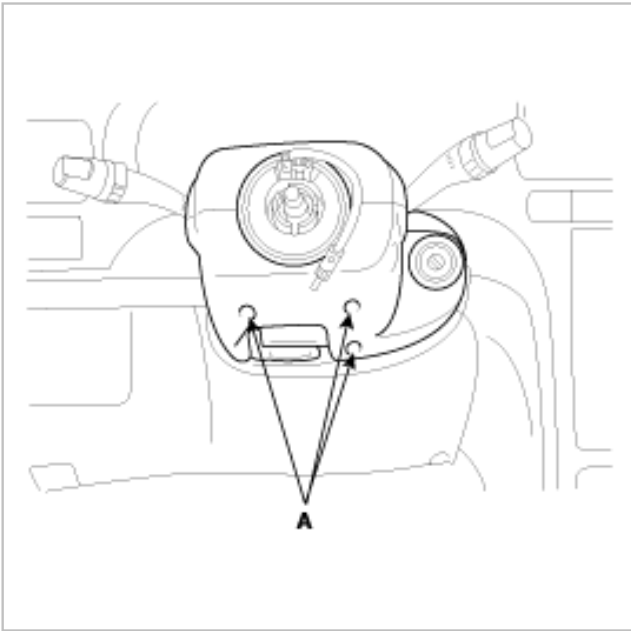
4. Remove the steering wheel(A) with special tool (09561-11002).

CAUTION

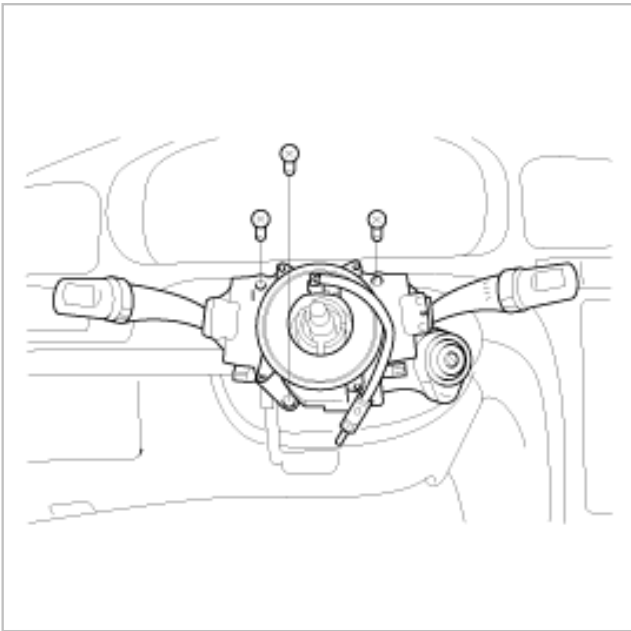
Do not hammer on the steering wheel to remove it. Doing so may damage the collapsible mechanism.



5. Remove the steering column shroud after removing 3 screws(A).

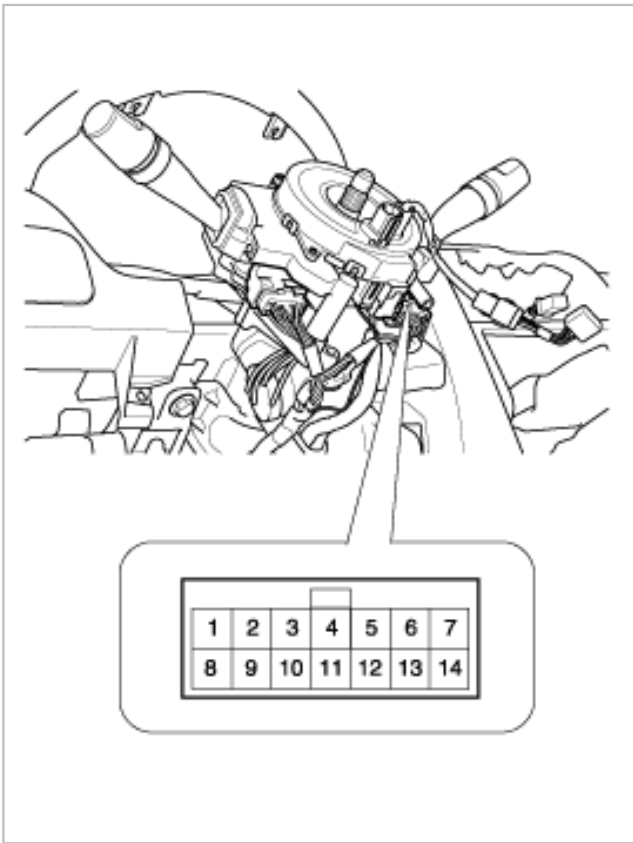


6. Disconnect the wire connectors and remove the multi-function switch after removing the 3 screws.



7. Installation is the reverse of removal.

INSPECTION



WIPER SWITCH [M01-1]

Terminal Position	1	2	3	4	5	6	13	14
MIST				○—○				
OFF		○—○						
INT		○—○			○—○		○——○	
LOW		○—			○			
HI	○—				○			

WASHER SWITCH [M01-1]

Terminal Position	5	7
OFF		
ON	○—	○