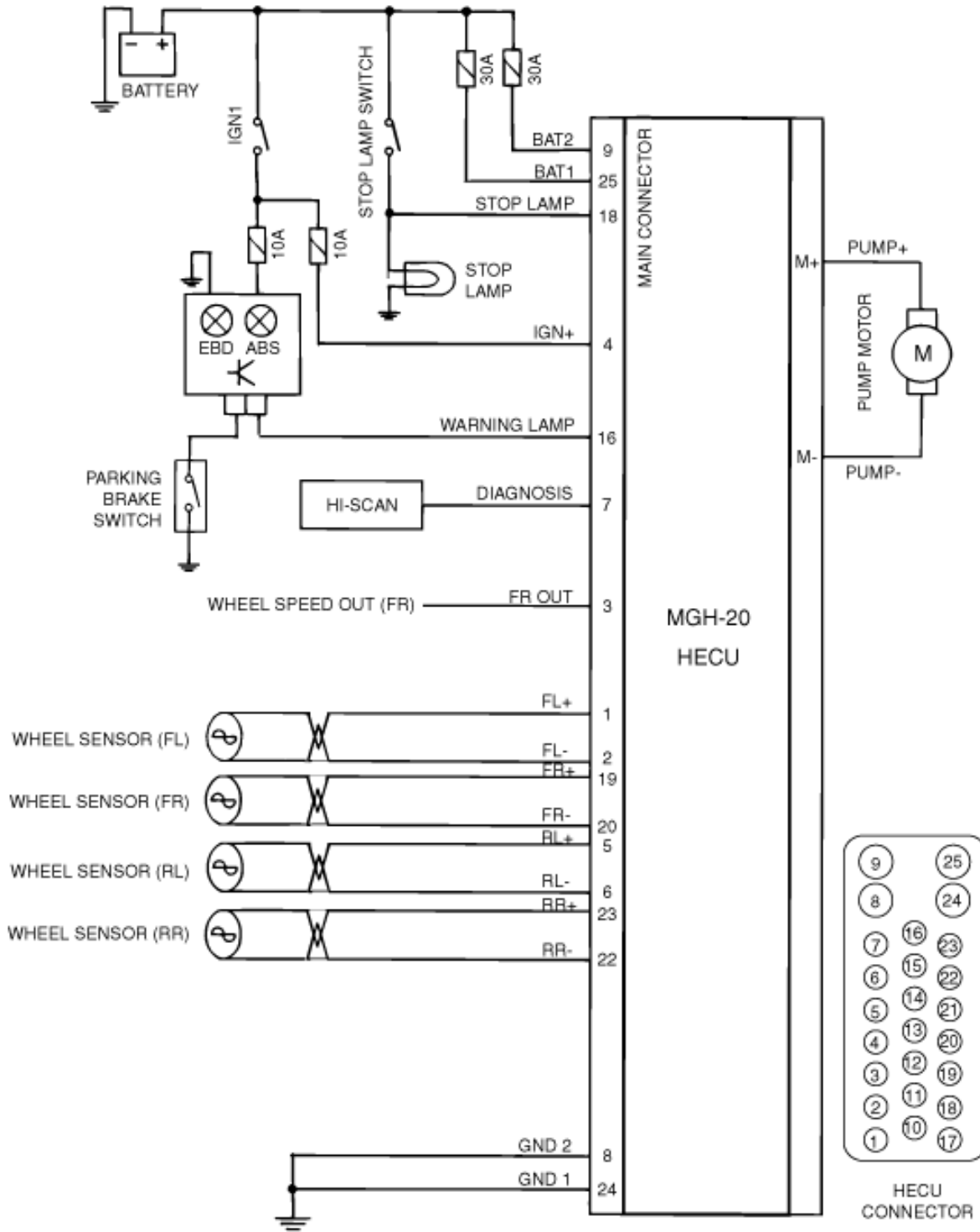


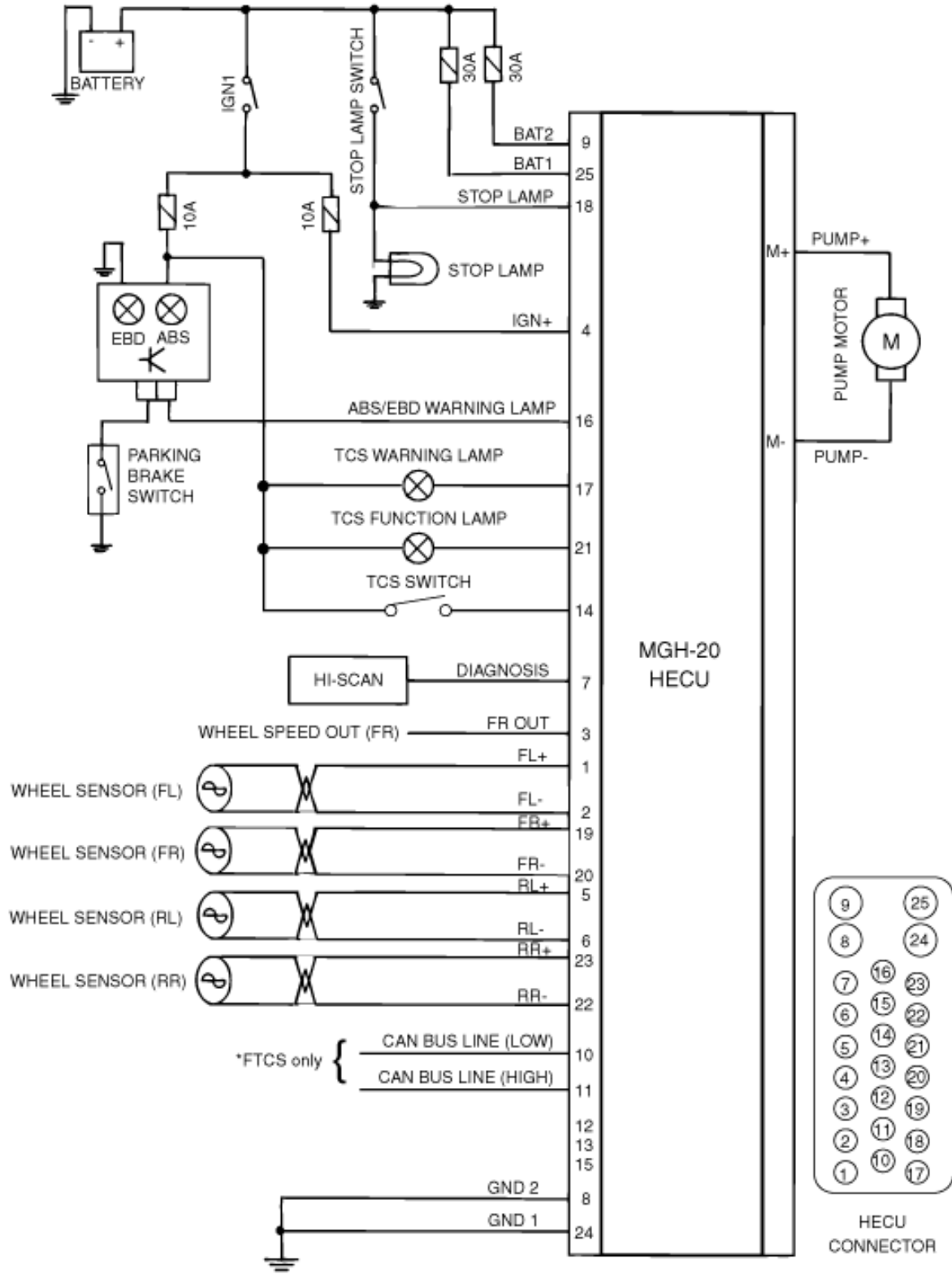


CIRCUIT DIAGRAM

[ABS]



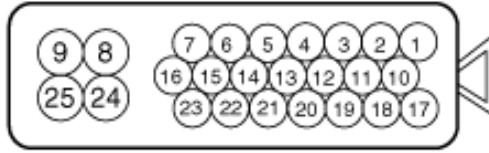
[TCS]



NOTE)
*FTCS: Full Traction Control System

INSPECTION OF HECU TERMINALS

(HECU HARNESS SIDE CONNECTOR)



Terminals No.	Condition	Standard Voltage (V)
25 - GND (8,24)	Always	10 - 14
9 - GND (8,24)	Always	10 - 14
4 - GND (8,24)	Ignition switch ON	10 - 14
16 - GND (8,24)	Ignition switch ON, ABS warning lamp ON	3 - 5
18 - GND (8,24)	Stop lamp switch OFF	Below 1.0
	Stop lamp switch ON	8 - 14
19 - 20	Ignition switch ON, slowly turn right front wheel	AC voltage generation
1 - 2	Ignition switch ON, slowly turn left front wheel	AC voltage generation
22 - 23	Ignition switch ON, slowly turn right rear wheel	AC voltage generation
5 - 6	Ignition switch ON, slowly turn left rear wheel	AC voltage generation
14 - GND (8,24)	Ignition switch ON, TCS switch ON	10 - 14
GND (8,24) - Body ground	Always	Continuity