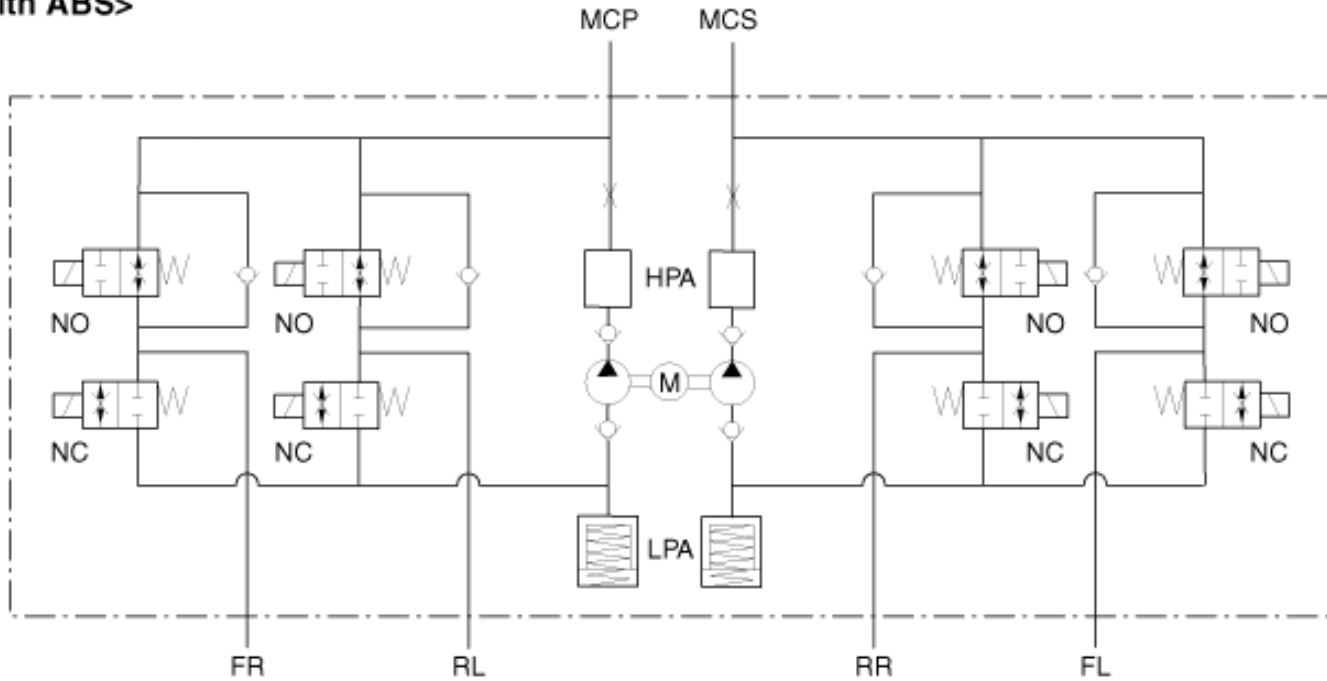


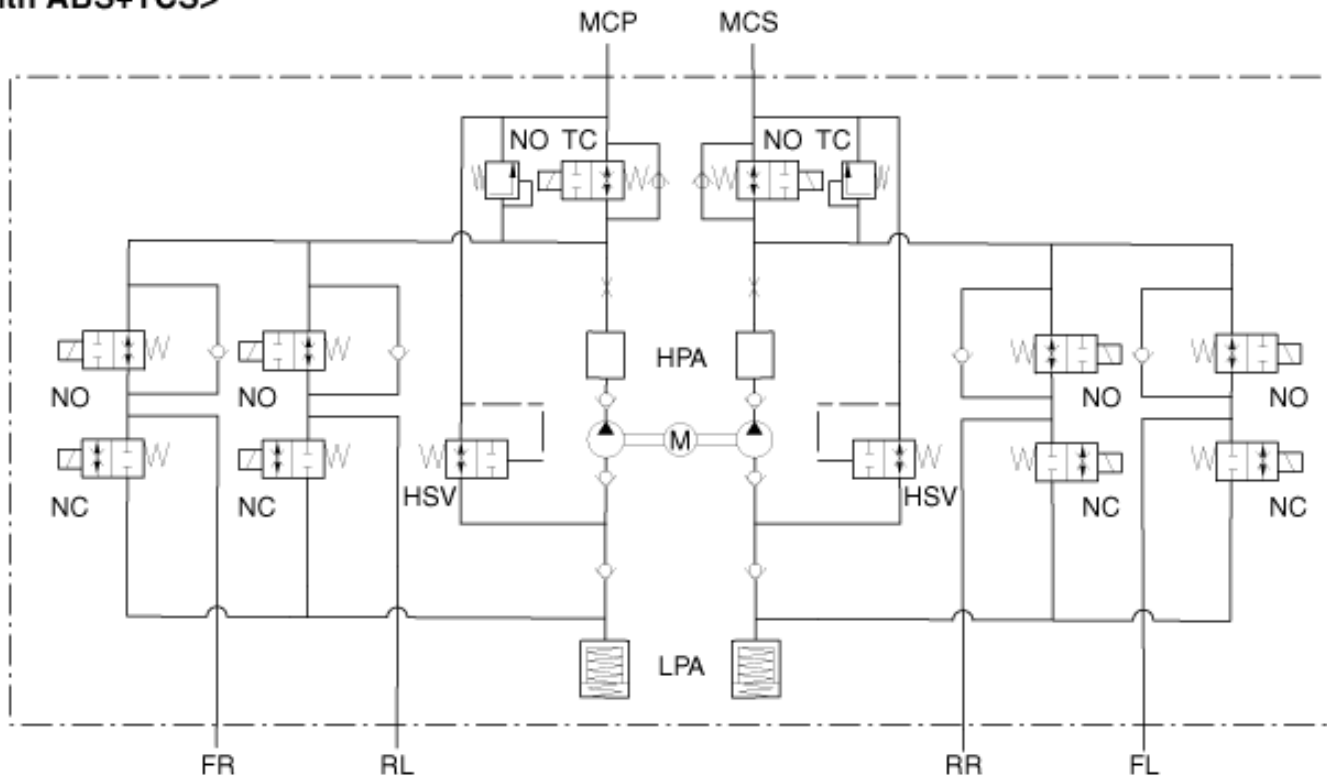


HYDRAULIC SYSTEM DIAGRAM

<With ABS>



<With ABS+TCS>



TCS : Traction Control System
 MCP : Master Cylinder Primary
 MCS : Master Cylinder Secondary
 HPA : High Pressure Accumulator
 LPA : Low Pressure Accumulator

M : Motor Pump
 HSV : Hydraulic Shuttle Valve
 TC : Traction Control valve
 NO : Normal Open valve
 NC : Normal Close valve

CIRCUIT DIAGRAM

CIRCUIT DIAGRAM (1)

CIRCUIT DIAGRAM (2)