



Inspection

1. Inspect the brake hoses, for damage, deterioration, leaks, interference and twisting.
2. Check the brake lines for damage, rusting, and leakage. Also check for bent brake lines.
3. Check for leaks at hose and line joints or connections, and retighten if necessary.
4. Check the master cylinder for damage and leakage.

NOTE

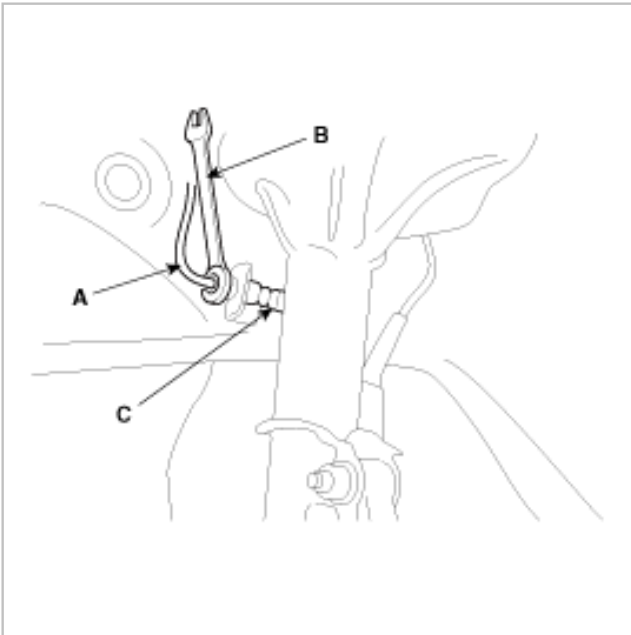
Replace the brake hose clip whenever the brake hose is serviced.

Replacement

NOTE

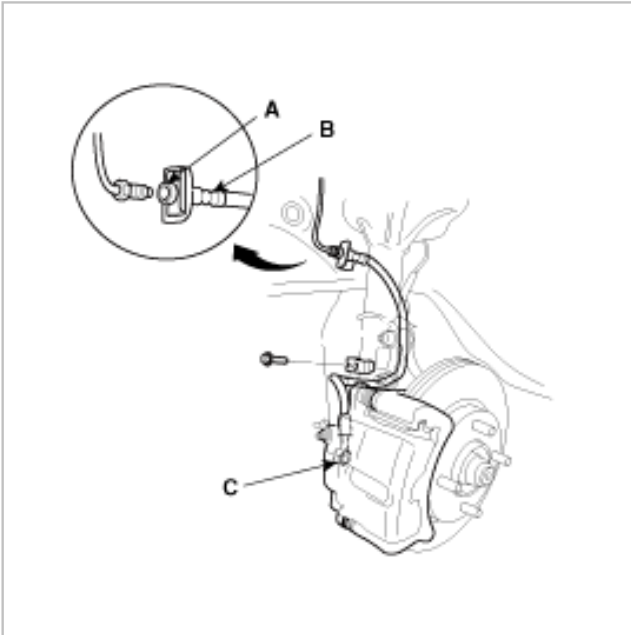
- Before reassembling, check that all parts are free of dust and other foreign particles.
- Replace parts with new ones whenever specified to do so.
- Do not spill brake fluid on the vehicle; it may damage the paint; if brake fluid gets on the paint, wash it off immediately with water.

1. Replace the brake hose (A) if the hose is twisted, cracked, or if it leaks.



2. Disconnect the brake hose from the brake line (B) using a 10mm flare-nut wrench (C).

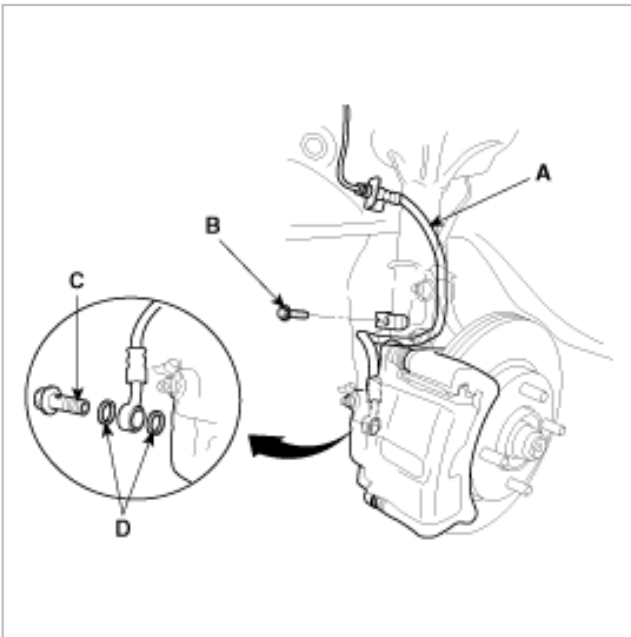
3. Remove and discard the brake hose clip (A) from the brake hose (B).



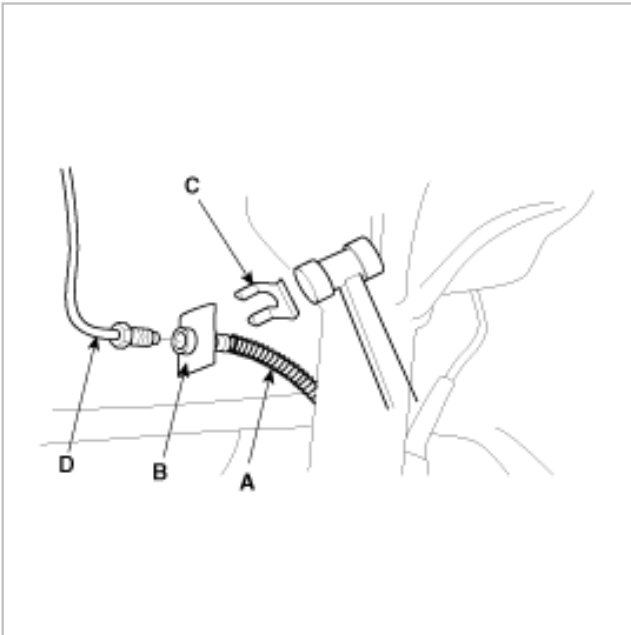
4. Remove the connector bolt (C), and disconnect the brake hose from the caliper.

5. Remove the brake hose from the knuckle.

6. Install the brake hose (A) on the knuckle with 12mm flange bolt (B) first, then connect the brake hose to the caliper with the connector bolt (C) and new sealing washers (D).



7. Install the brake hose (A) on the upper brake hose bracket (B) with a new brake hose clip (C).



8. Connect the brake line (D) to the brake hose

9. After installing the brake hose, bleed the brake system. (see page BR-12)

10. Perform the following checks.

A. Check the brake hose and line joint for leaks, and tighten if necessary.

B. Check the brake hoses for interference and twisting.

Inspection

1. Inspect the brake hoses, for damage, deterioration, leaks, interference and twisting.
2. Check the brake lines for damage, rusting, and leakage. Also check for bent brake lines.
3. Check for leaks at hose and line joints or connections, and retighten if necessary.
4. Check the master cylinder for damage and leakage.

NOTE

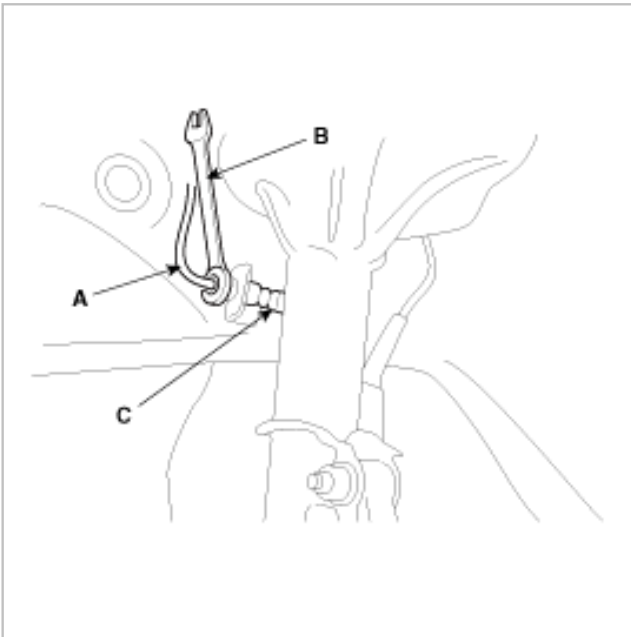
Replace the brake hose clip whenever the brake hose is serviced.

Replacement

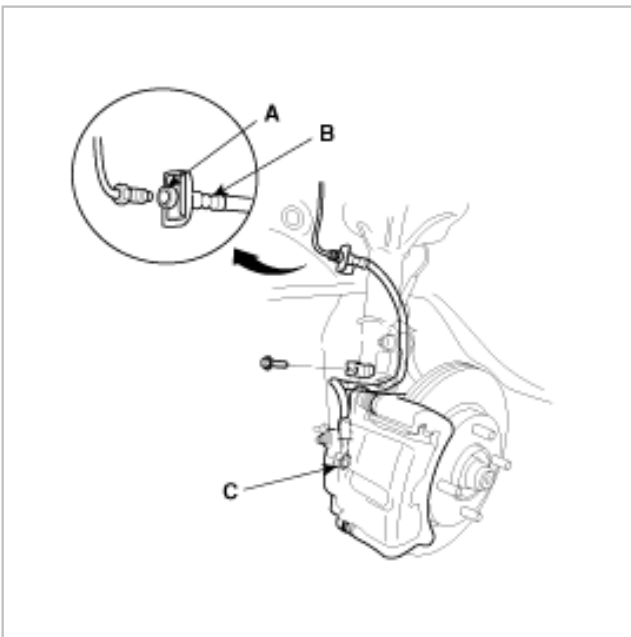
NOTE

- Before reassembling, check that all parts are free of dust and other foreign particles.
- Replace parts with new ones whenever specified to do so.
- Do not spill brake fluid on the vehicle; it may damage the paint; if brake fluid gets on the paint, wash it off immediately with water.

1. Replace the brake hose (A) if the hose is twisted, cracked, or if it leaks.

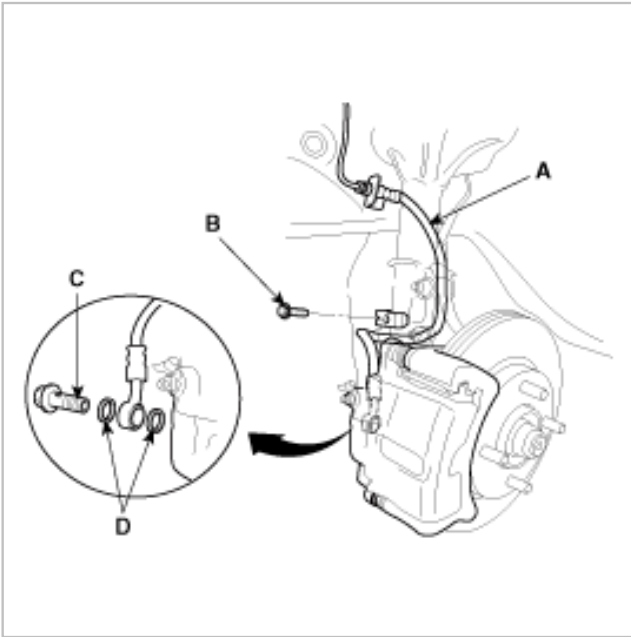


2. Disconnect the brake hose from the brake line (B) using a 10mm flare-nut wrench (C).
3. Remove and discard the brake hose clip (A) from the brake hose (B).

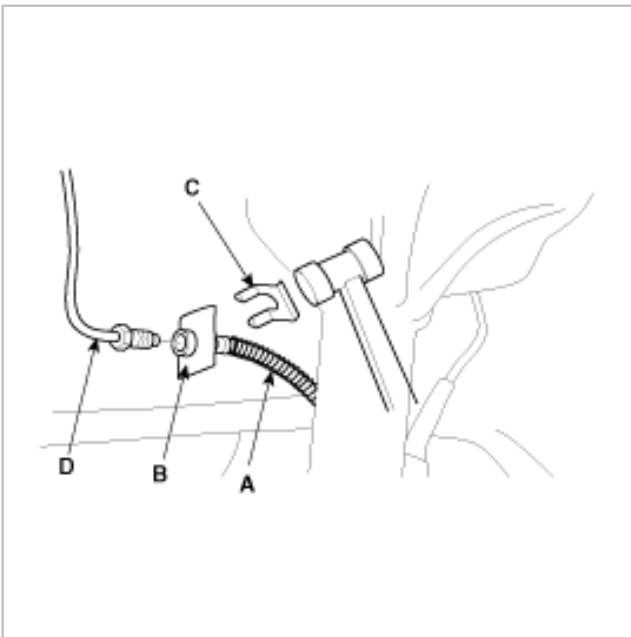


4. Remove the connector bolt (C), and disconnect the brake hose from the caliper.
5. Remove the brake hose from the knuckle.

6. Install the brake hose (A) on the knuckle with 12mm flange bolt (B) first, then connect the brake hose to the caliper with the connector bolt (C) and new sealing washers (D).



7. Install the brake hose (A) on the upper brake hose bracket (B) with a new brake hose clip (C).



8. Connect the brake line (D) to the brake hose
9. After installing the brake hose, bleed the brake system. (see page BR-12)
10. Perform the following checks.
 - A. Check the brake hose and line joint for leaks, and tighten if necessary.
 - B. Check the brake hoses for interference and twisting.