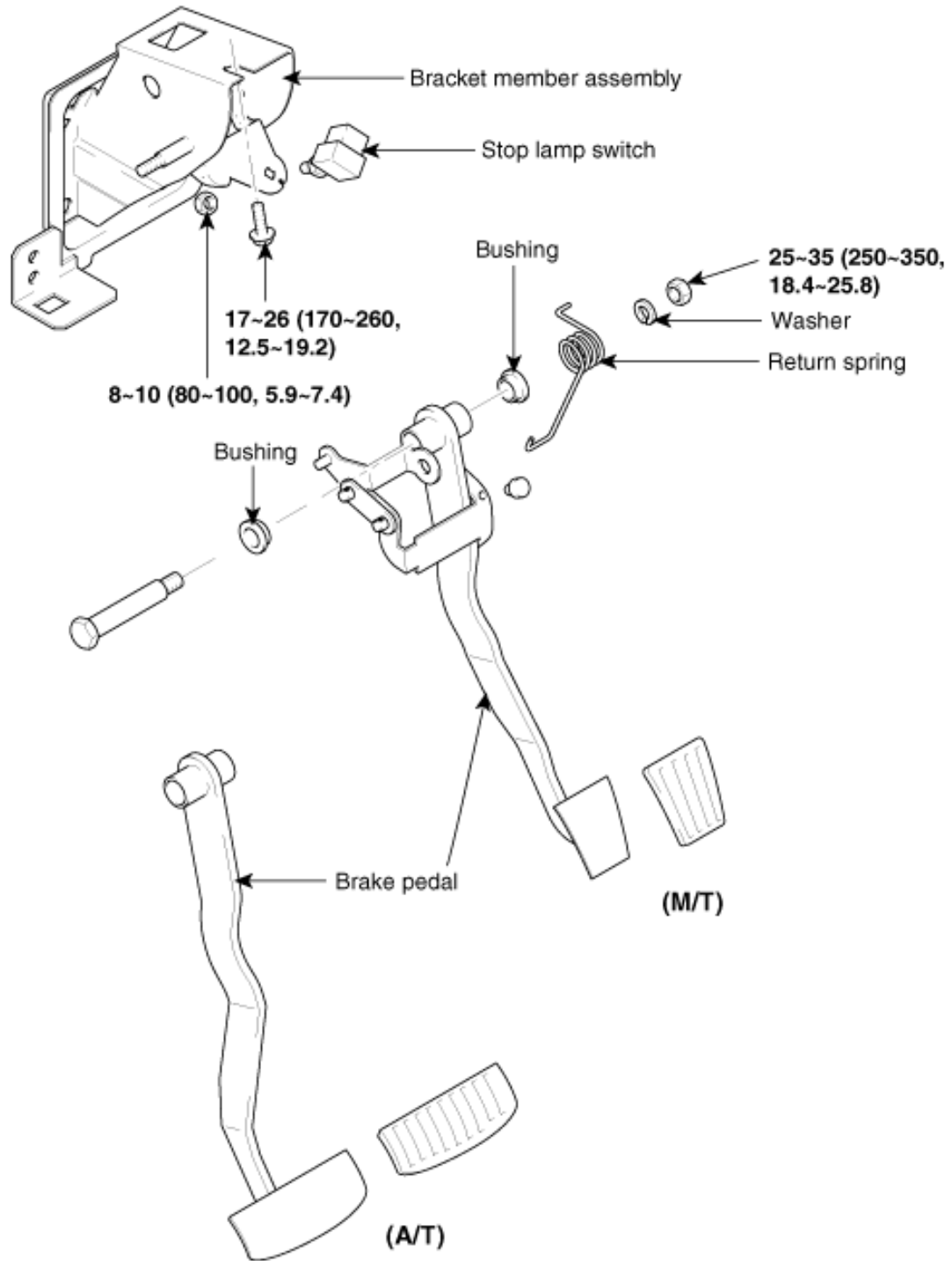


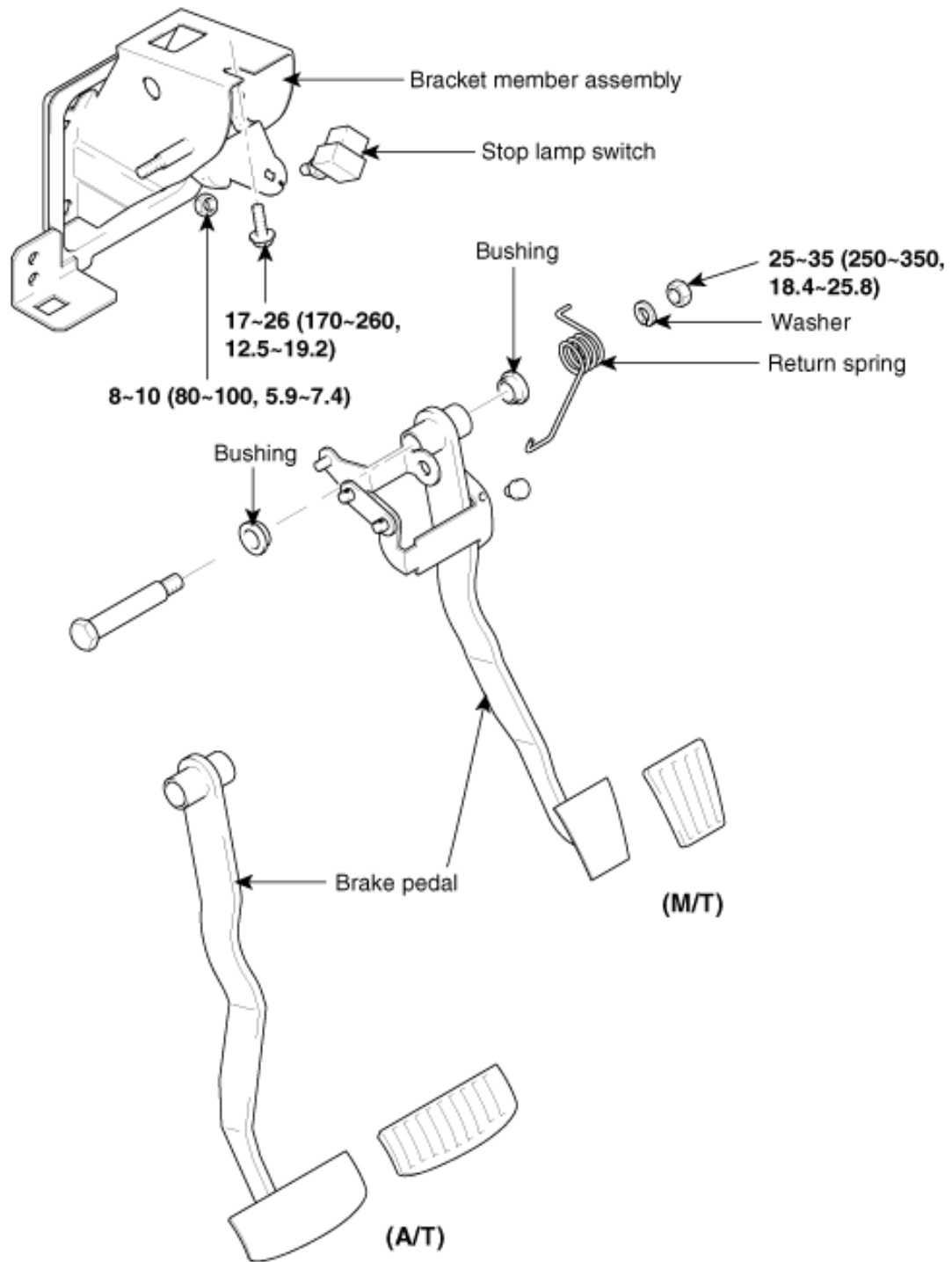


## COMPONENTS



**TORQUE: Nm (kgf·cm, lbf·ft)**

# COMPONENTS



**TORQUE: Nm (kgf·cm, lbf·ft)**