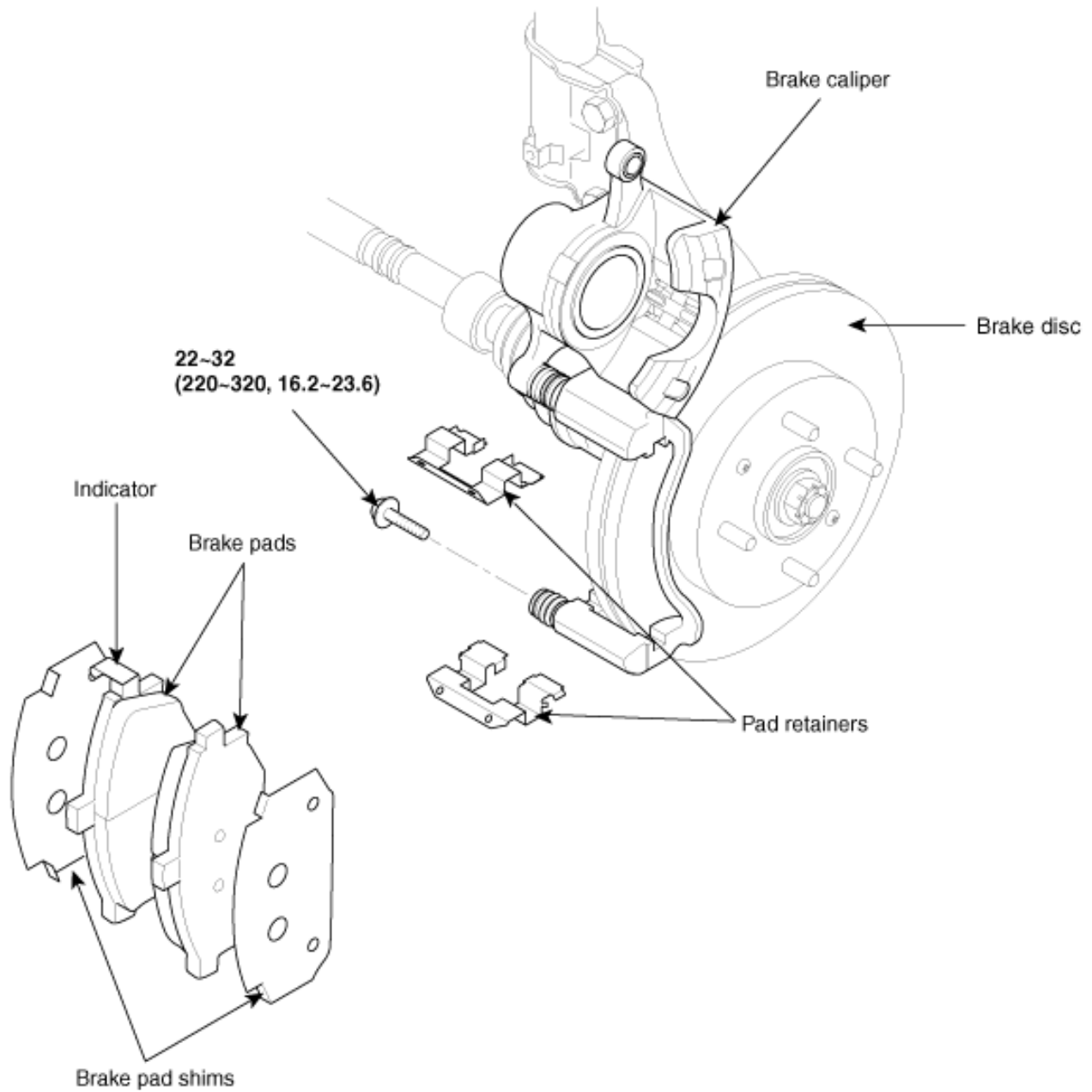
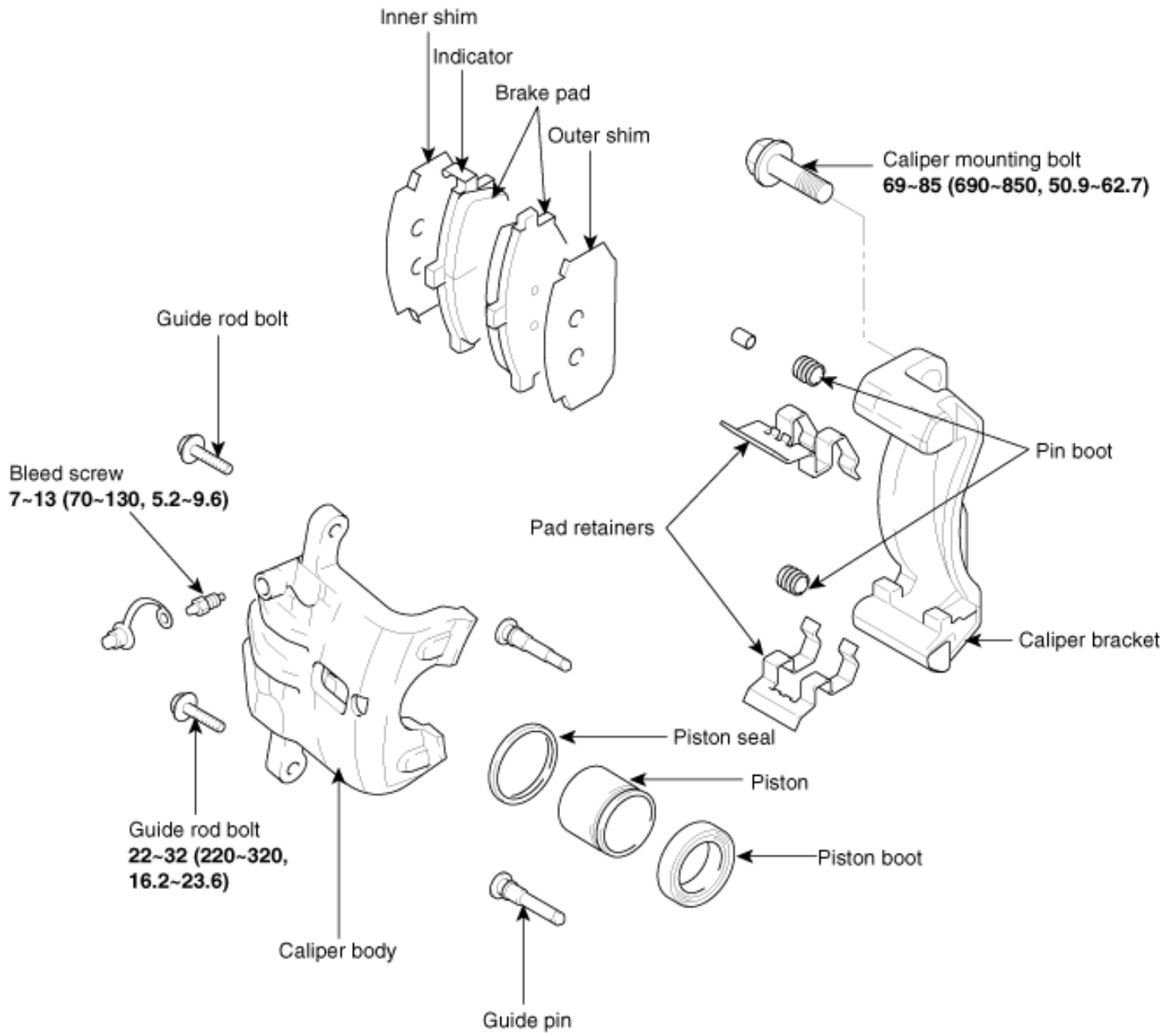




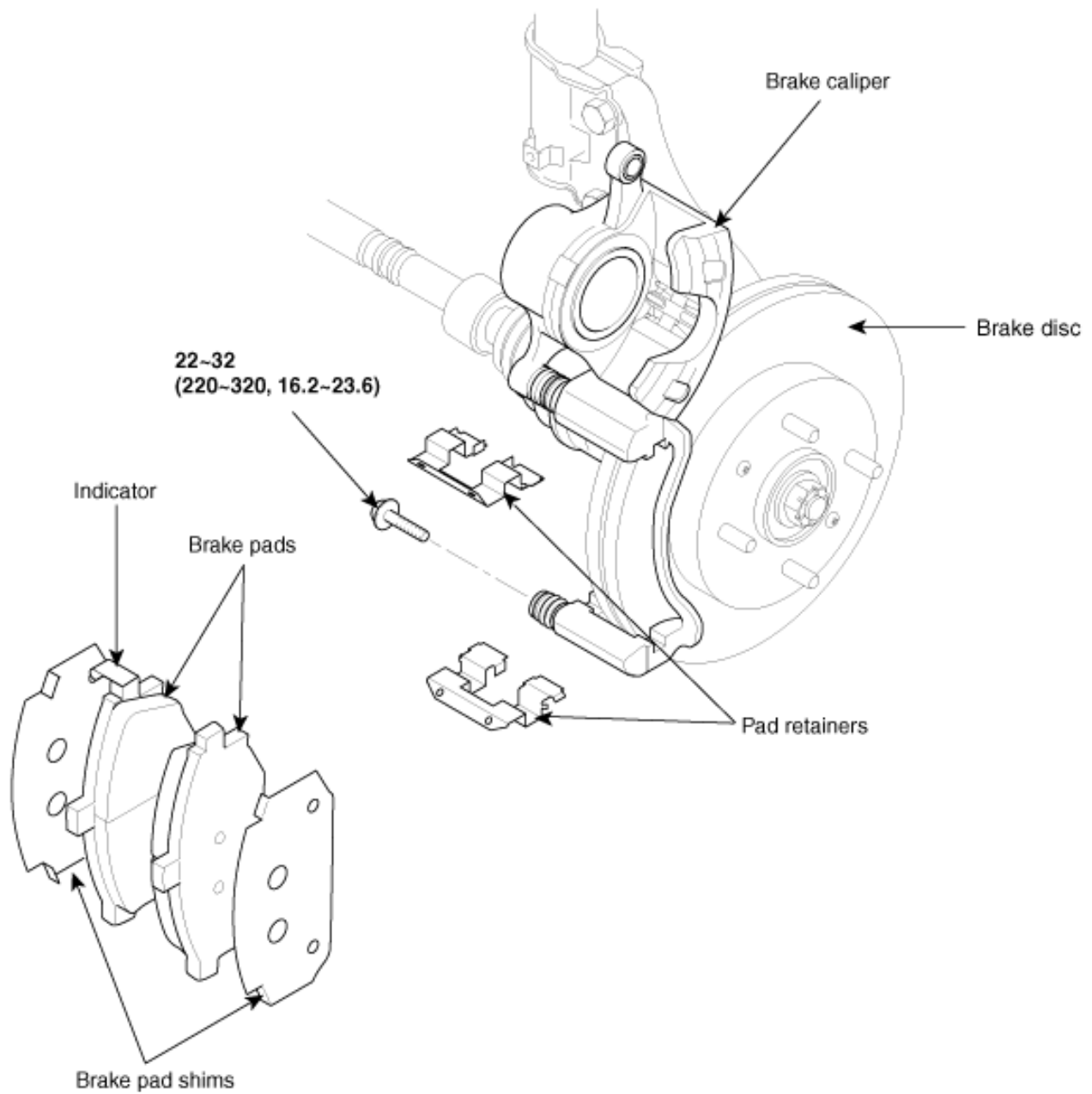
## COMPONENTS



**TORQUE: Nm (kgf-cm, lbf-ft)**



## COMPONENTS



**TORQUE: Nm (kgf-cm, lbf-ft)**

