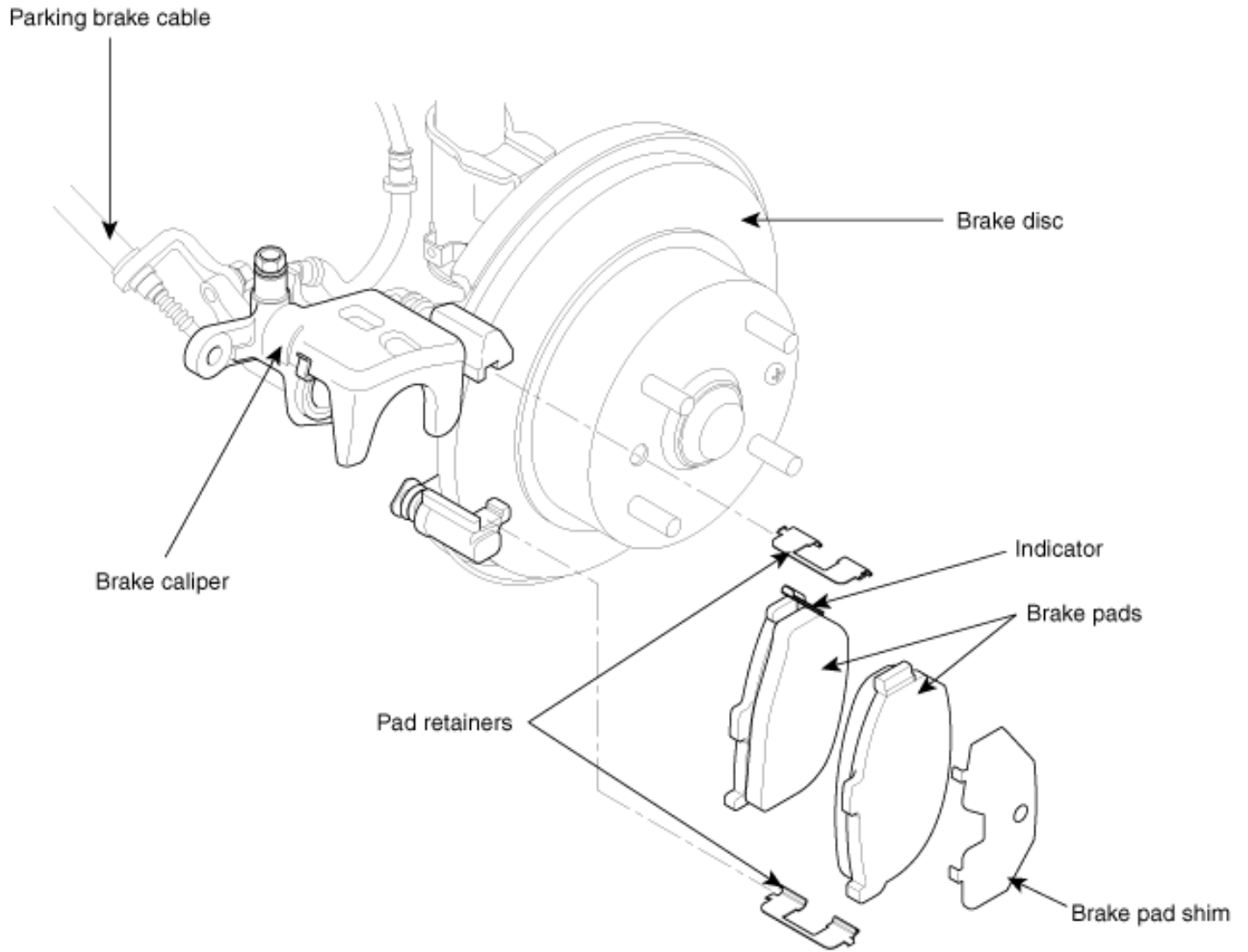
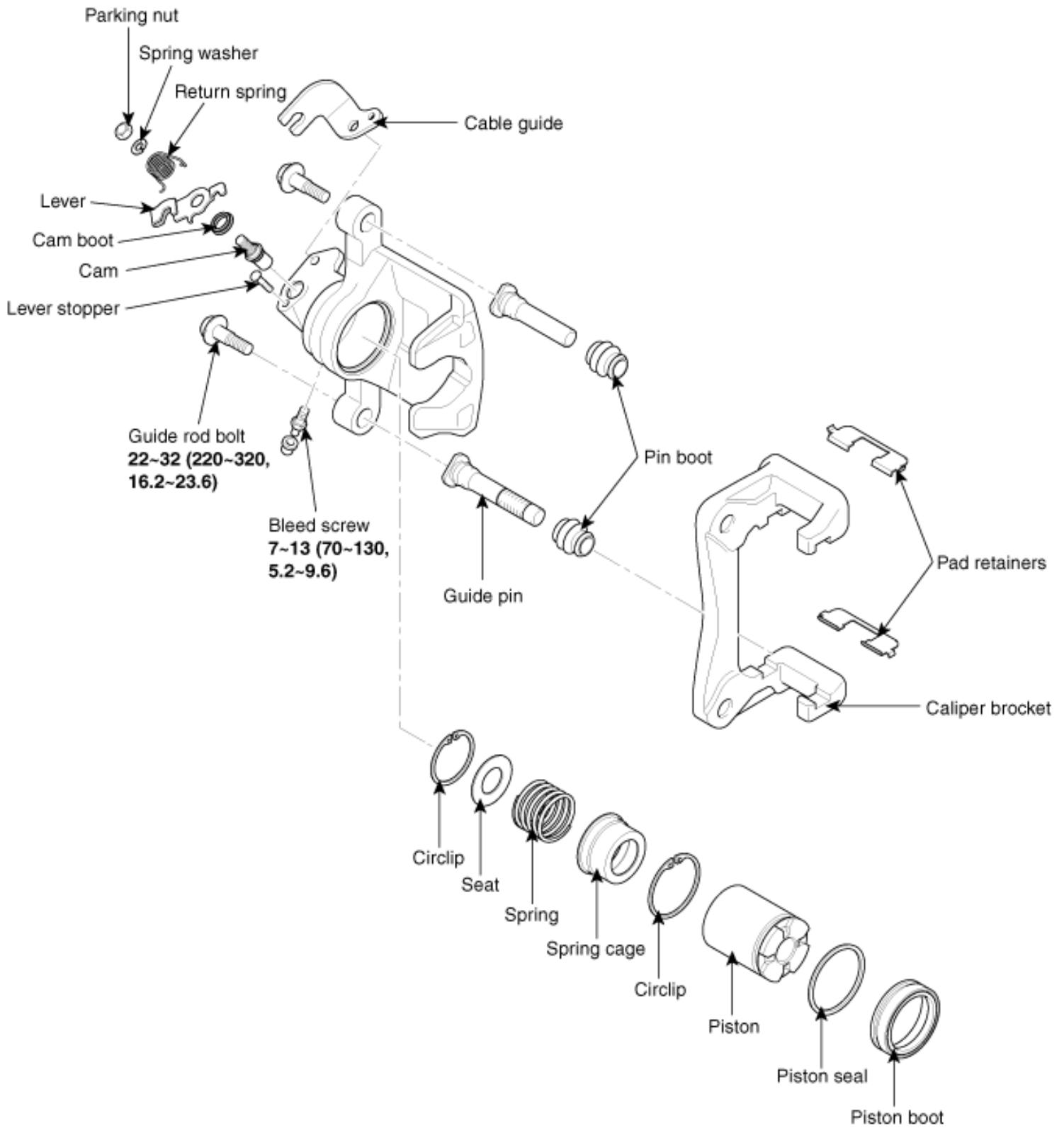




COMPONENT





TORQUE: Nm (kgf·cm, lbf·ft)