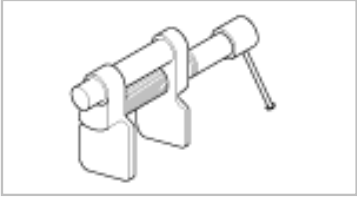
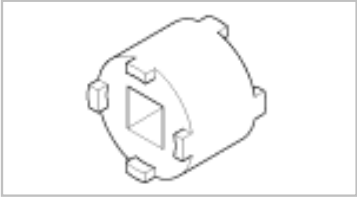
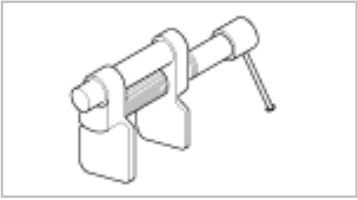
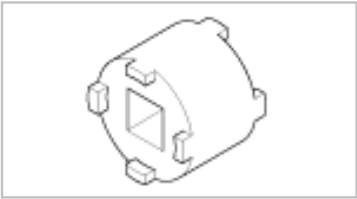




SPECIAL TOOLS

Tool (Number and Name)	Illustration	Use
06581-11000 Piston expander		Spreading the front brake piston
09580-34000 Rear brake piston adjuster		Removal and installation of the rear brake piston

SPECIAL TOOLS

Tool (Number and Name)	Illustration	Use
06581-11000 Piston expander		Spreading the front brake piston
09580-34000 Rear brake piston adjuster		Removal and installation of the rear brake piston