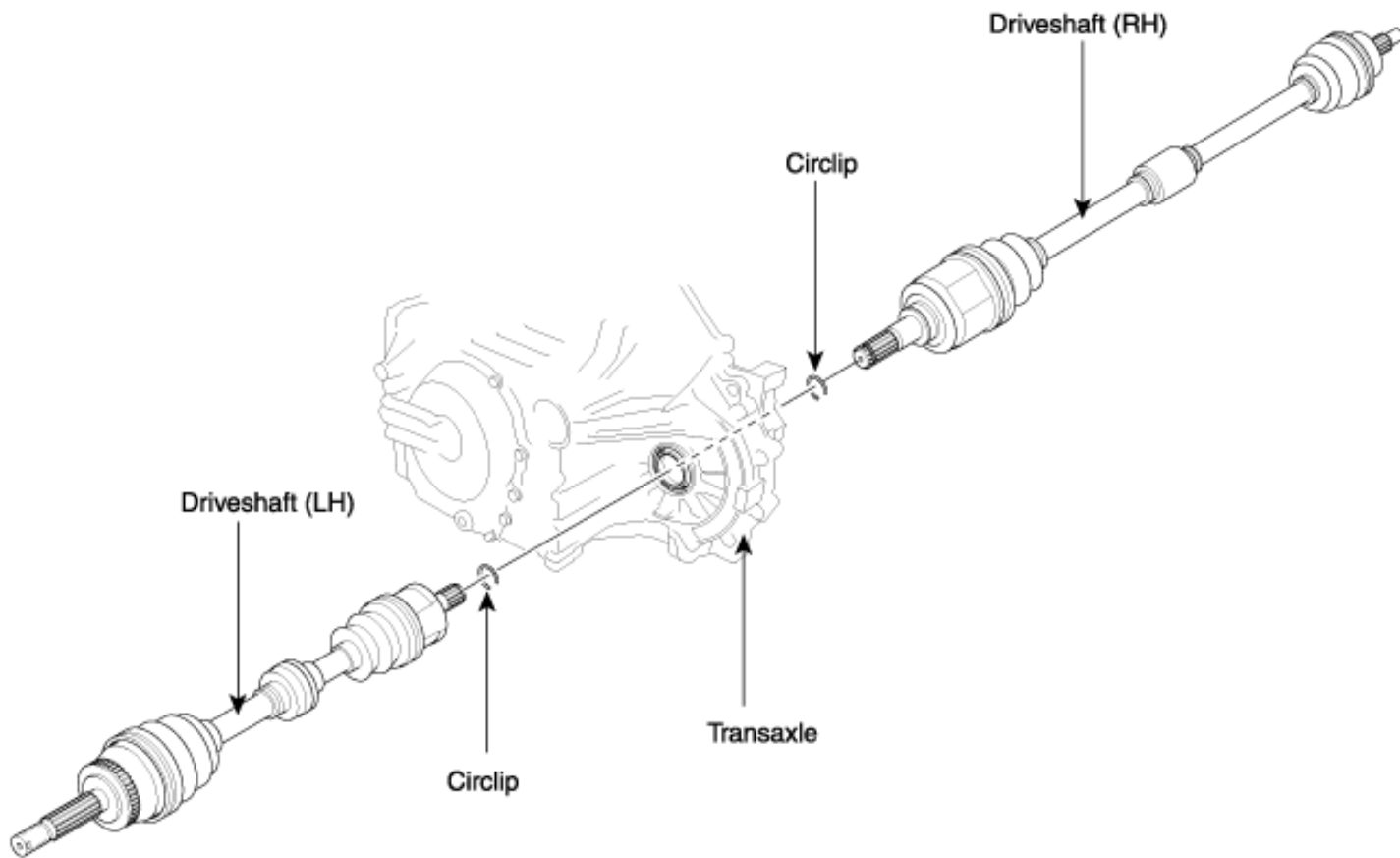
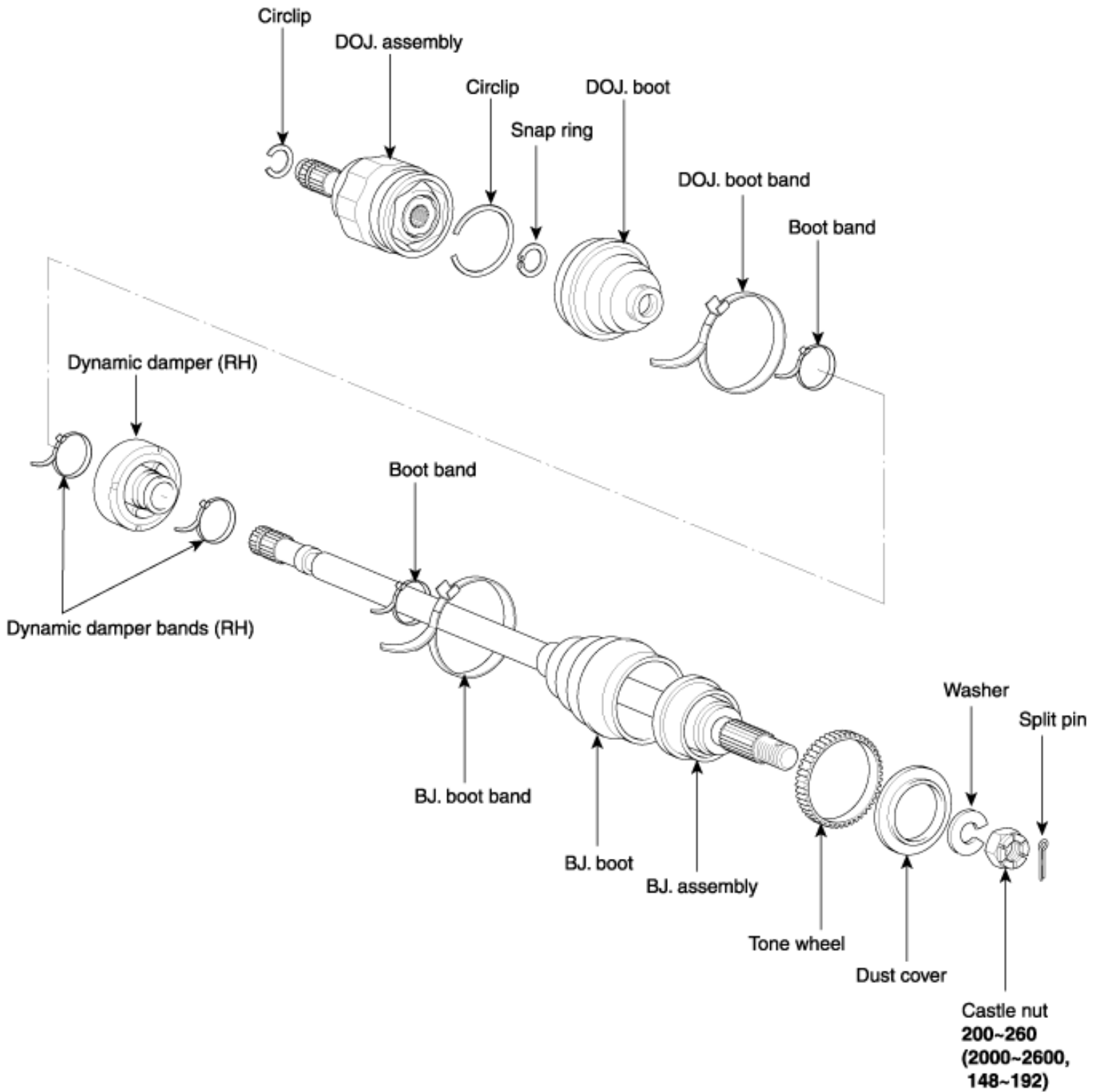




COMPONENTS

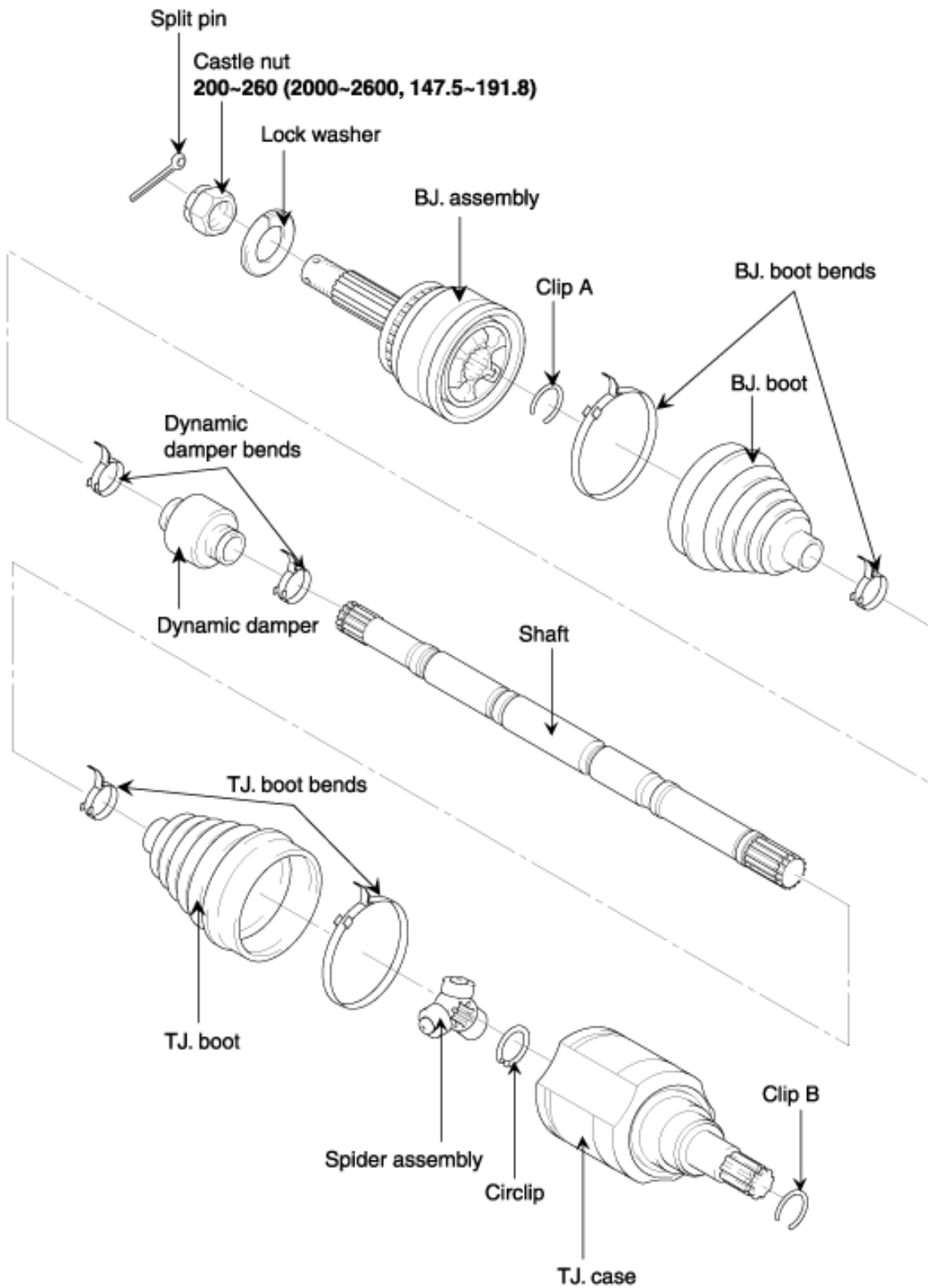


COMPONENTS



TORQUE : Nm (kgf-cm, lb-ft)

COMPONENTS



TORQUE : N·m (kgf·cm, lbf·ft)