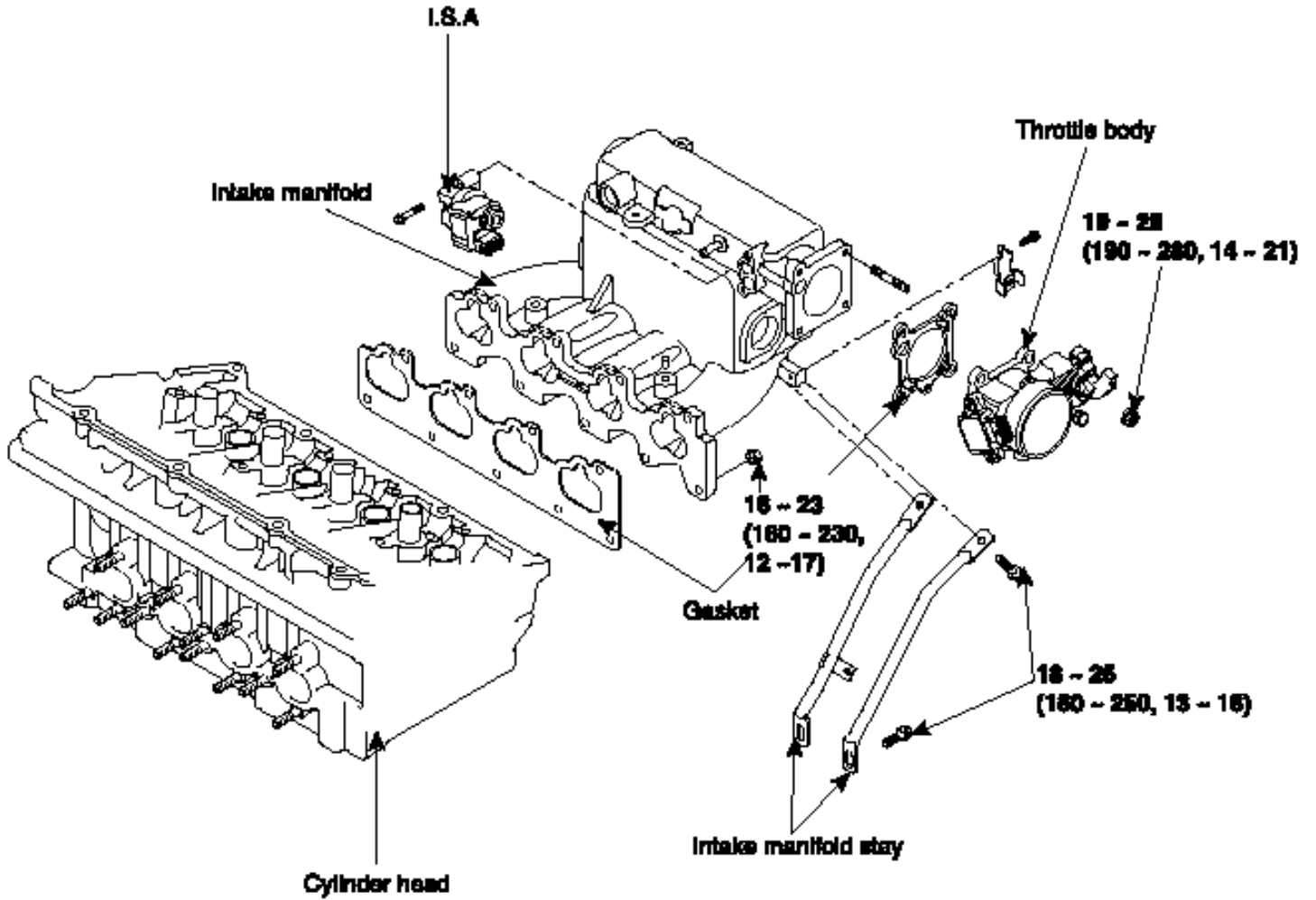




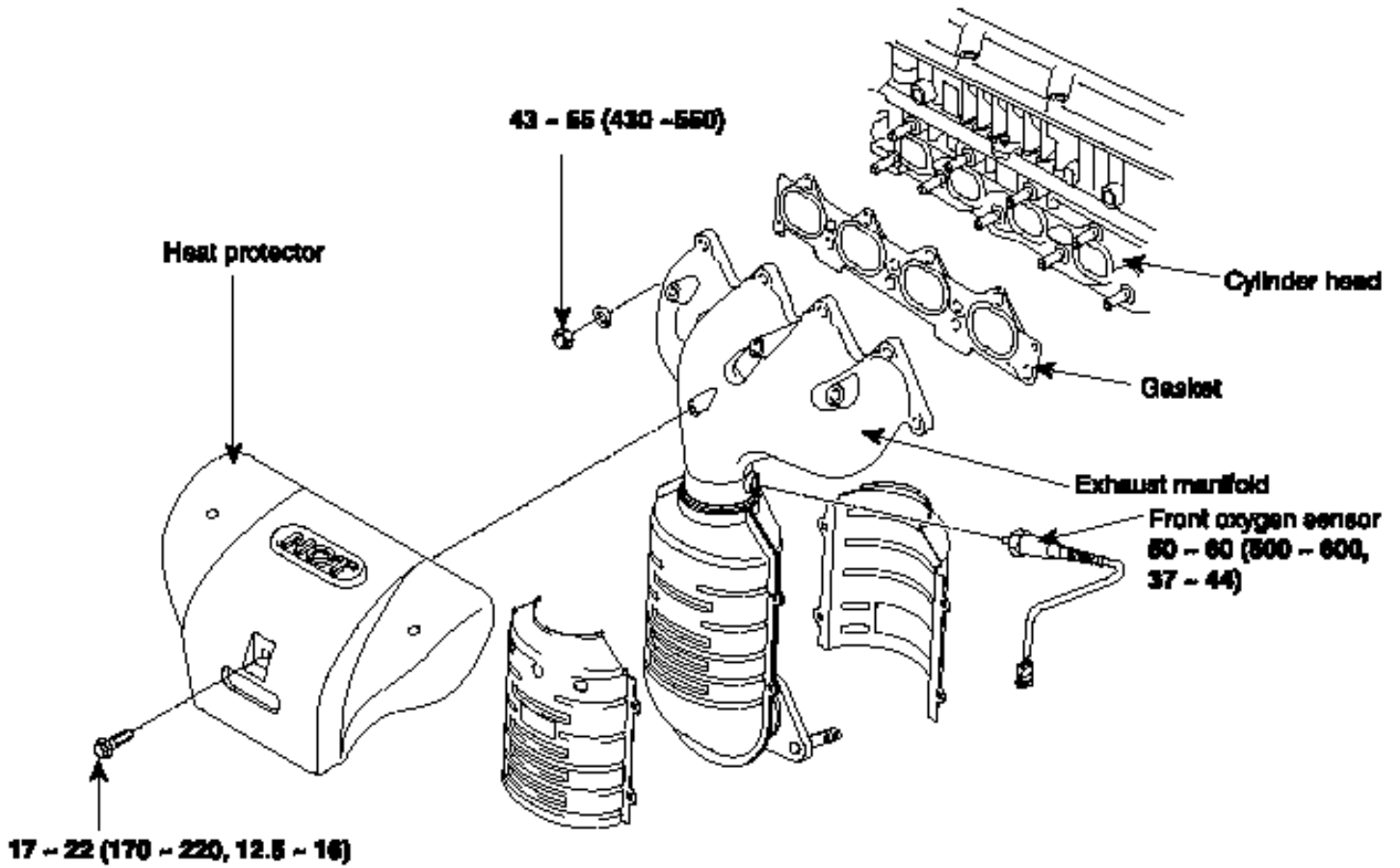
COMPONENT

INTAKE MANIFOLD



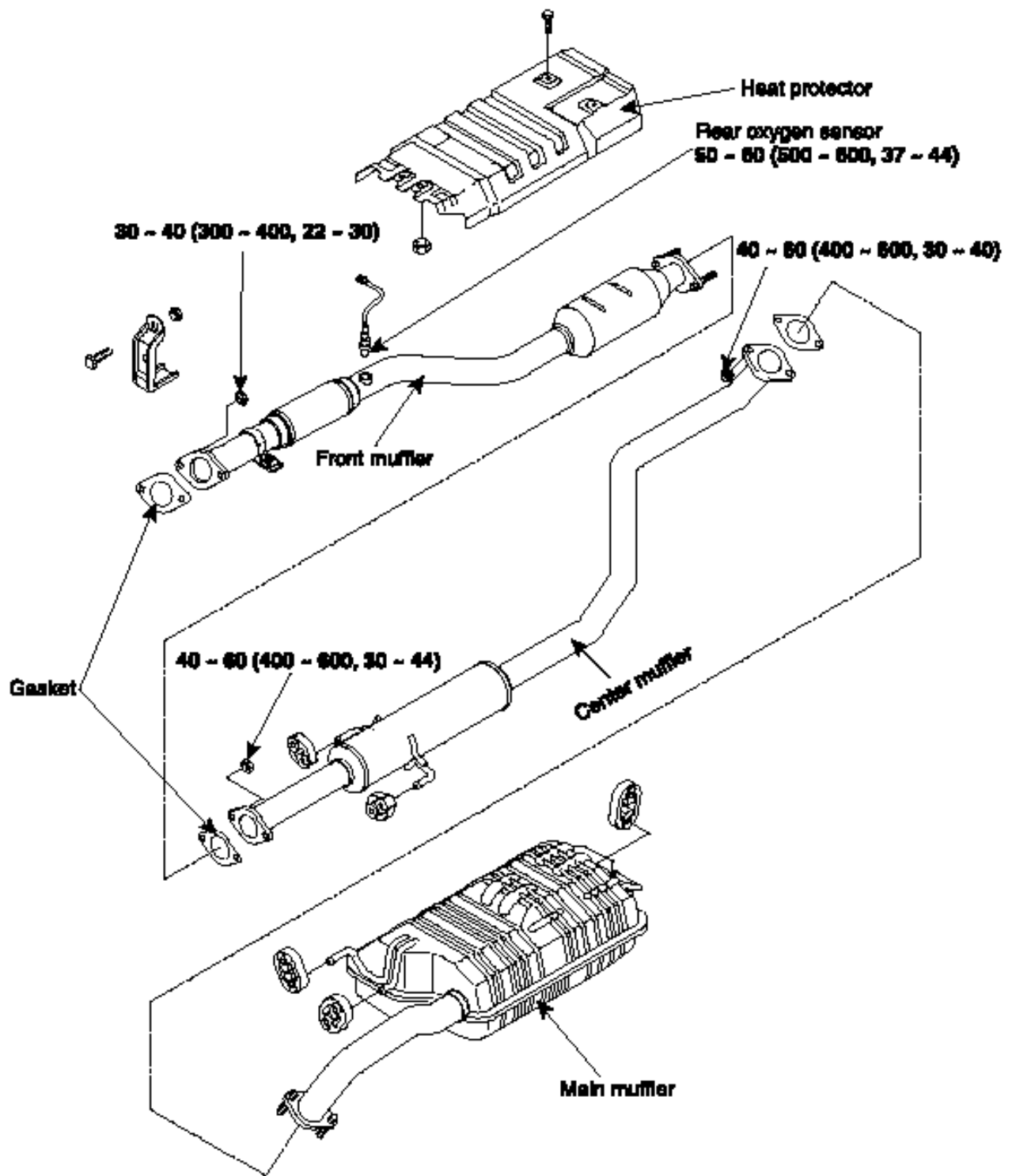
TORQUE : Nm (kgf.cm, lbf.ft)

EXHAUST MANIFOLD



TORQUE : Nm (kgf.cm, lb.ft)

MUFFLER



TORQUE : Nm (kgf.cm, lbf.ft)