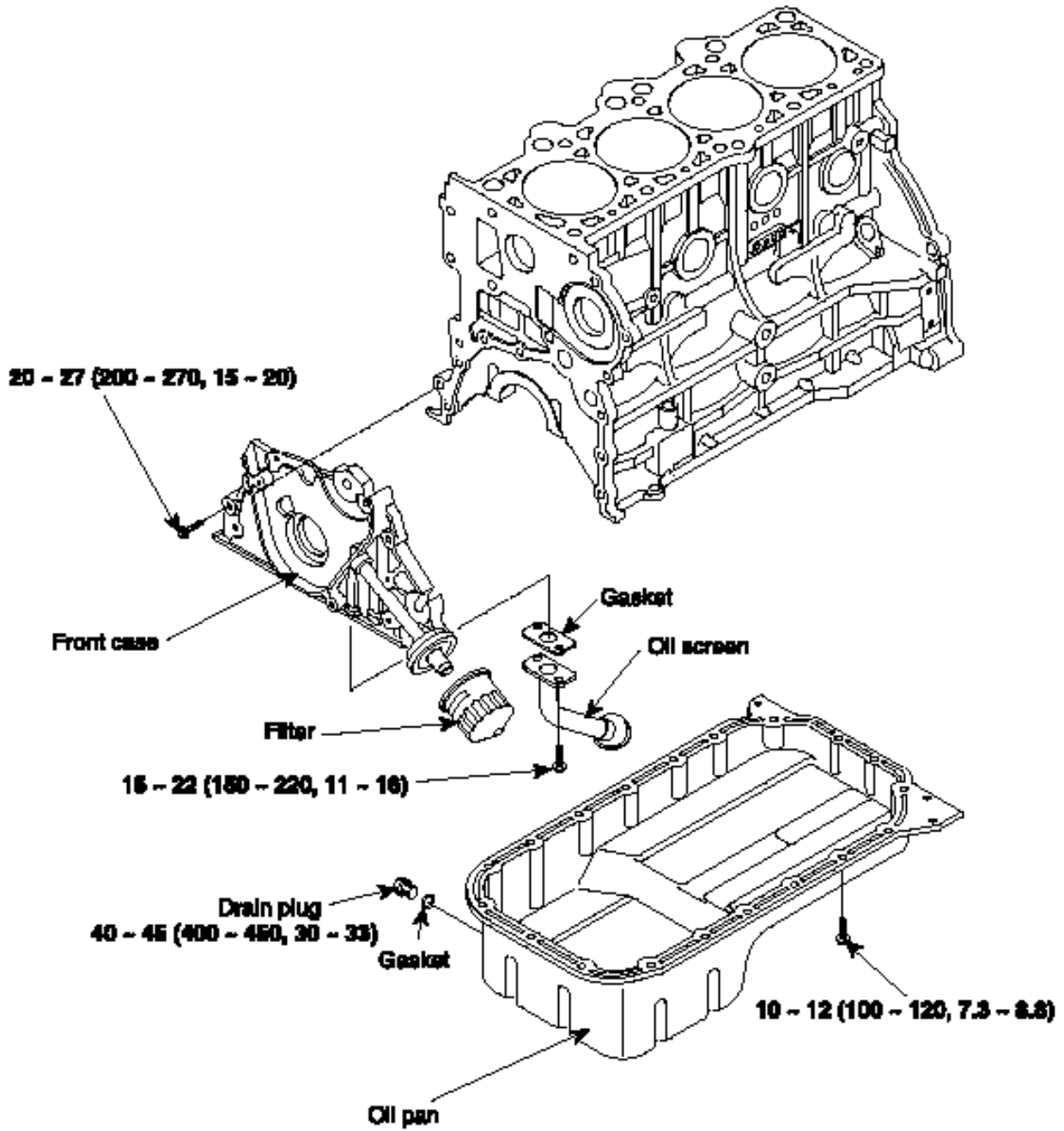
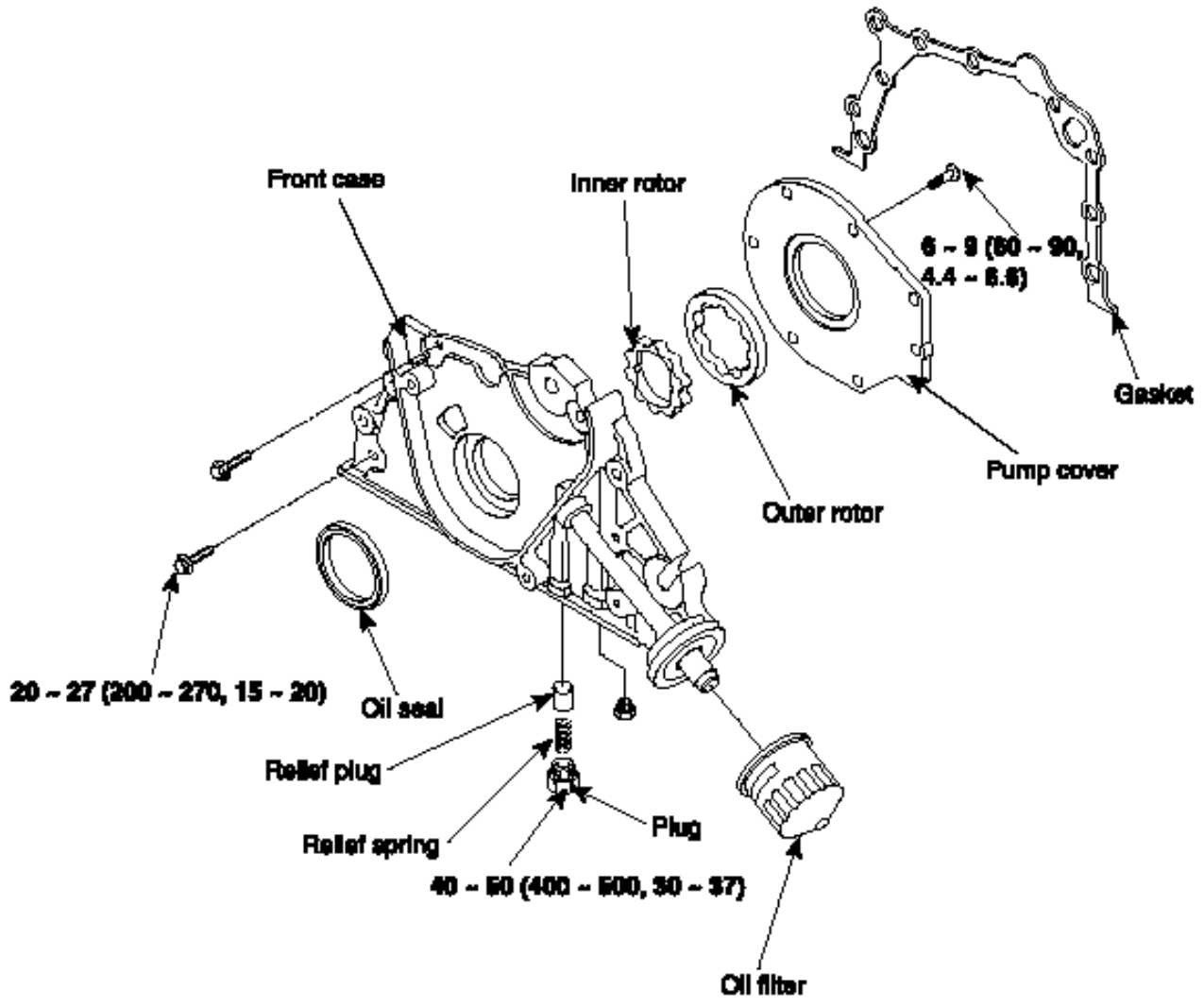




COMPONENT



TORQUE : Nm (kgf.cm, lbf.ft)



TORQUE : Nm (kgf.cm, lbf.ft)