

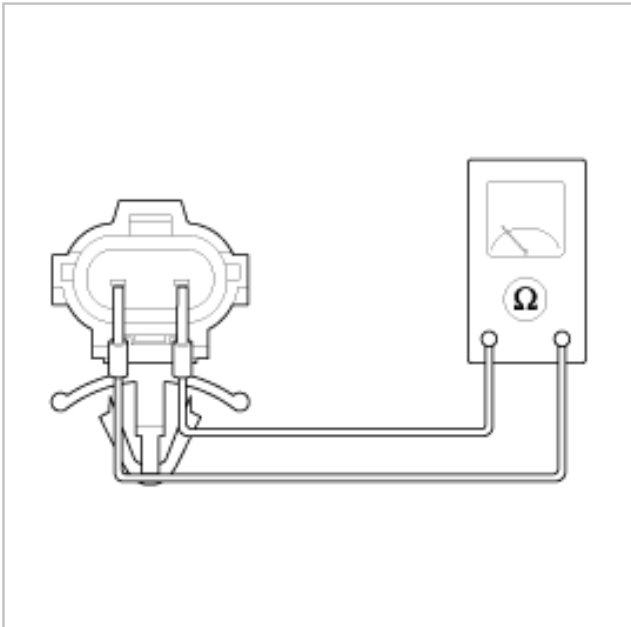


INSPECTION

Measure the resistance.

RESISTANCE-TEMP. CHARACTERISIC TABLE

Temp (°C)	Rmin (k)	R (k)	Rmax (k)
-20	261.090	271.120	281.150
0	92.617	95.089	97.656
25	29.550	30.000	30.450
50	10.676	10.950	11.224
80	3.964	3.828	3.366



CHARACTERISTICS

