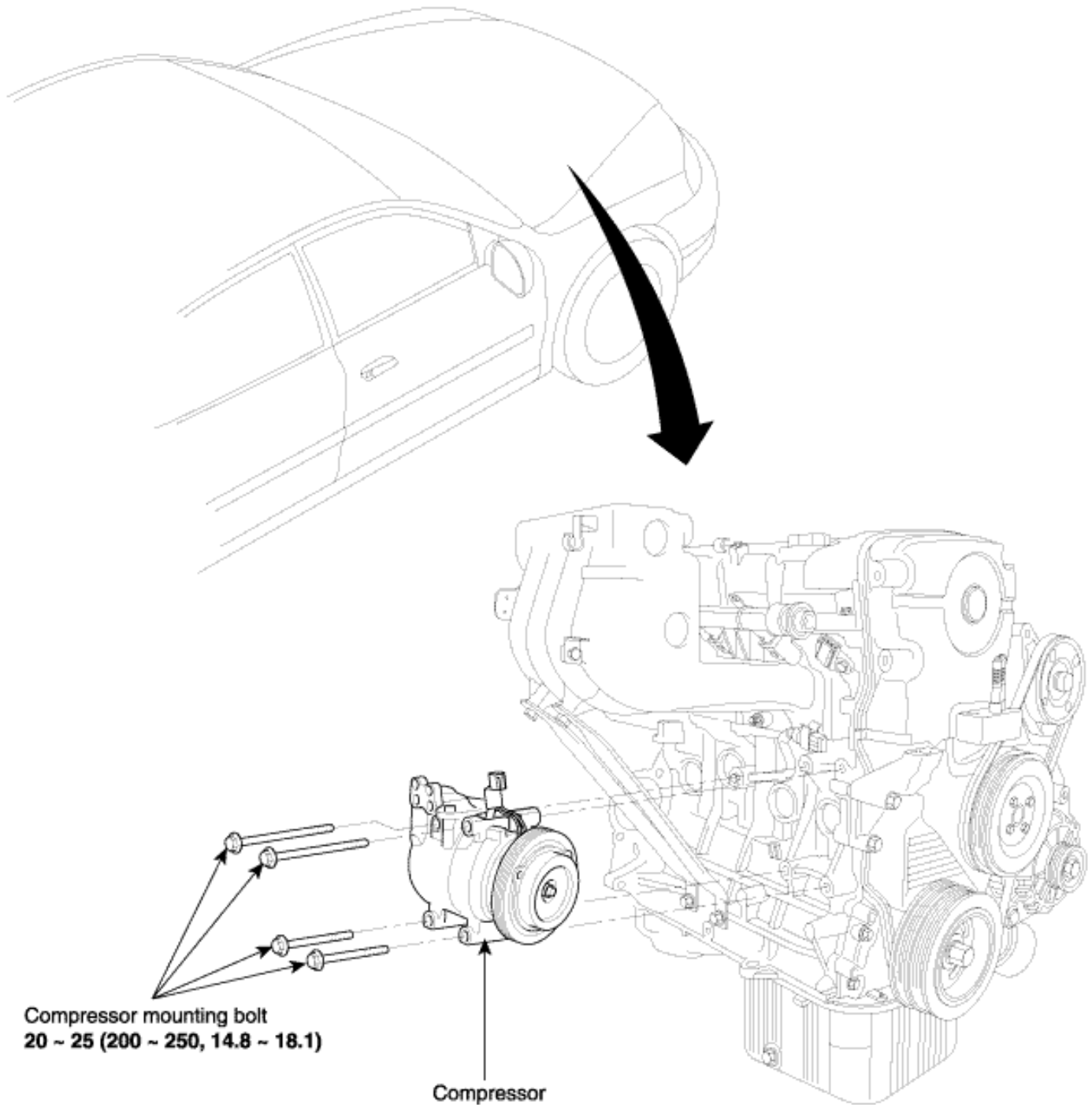


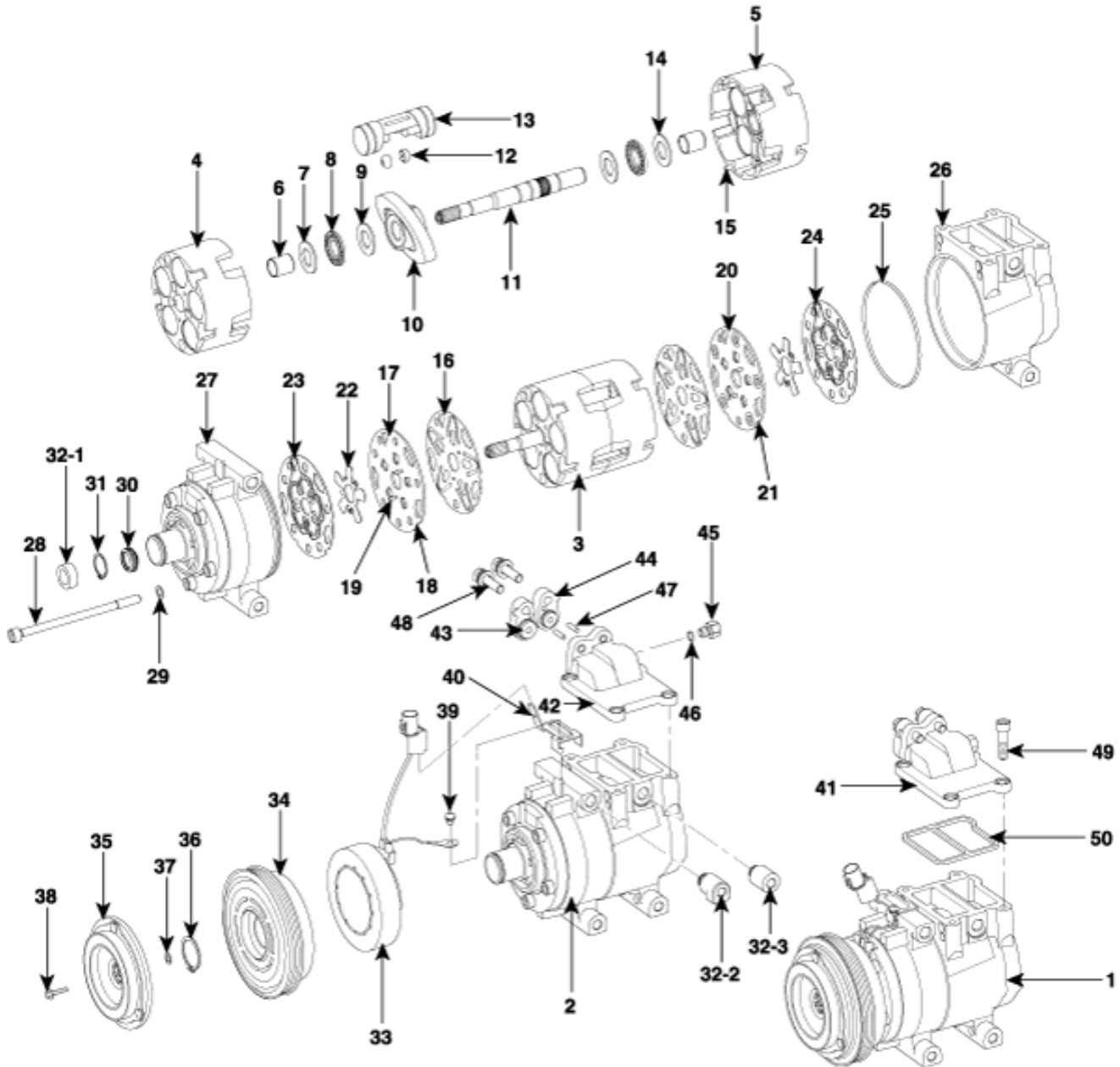


COMPONENT LOCATION



TORQUE : Nm (kgf·cm, lbf·ft)

COMPONENTS



- | | | | |
|---------------------------------|---------------------------|------------------------|-----------------------|
| 1. Compressor & clutch assembly | 14. Thrust bearing race E | 27. Front head | 38. Bolt |
| 2. Compressor assembly | 15. Pin spring | 28. Bolt | 39. Screw |
| 3. Cylinder & shaft assembly | 16. Inlet reed | 29. Flat washer | 40. Connector bracket |
| 4. Front cylinder | 17. Front plate assembly | 30. Shaft seal | 41. Manifold assembly |
| 5. Rear cylinder | 18. Front plate | 31. Retainer ring | 42. Manifold |
| 6. Bushing | 19. Pin | 32-1 . Seal felt | 43. Suction cap |
| 7. Thrust bearing race A-K | 20. Rear plate assembly | 32-2 . Mounting spacer | 44. Discharge cap |
| 8. Thrust bearing | 21. Rear plate | 32-3 . Mounting spacer | 45. Relief valve |
| 9. Thrust bearing race L | 22. Discharge reed | 33. Field coil | 46. O-ring |
| 10. Swash plate | 23. Front gasket | 34. Pulley | 47. Pin knurling |
| 11. Shaft | 24. Rear gasket | 35. Disc & hub | 48. Flange head bolt |
| 12. Shoe | 25. O-ring | 36. Retainer ring | 49. Bolt wrench |
| 13. Piston | 26. Rear head | 37. Spacer | 50. Gasket |