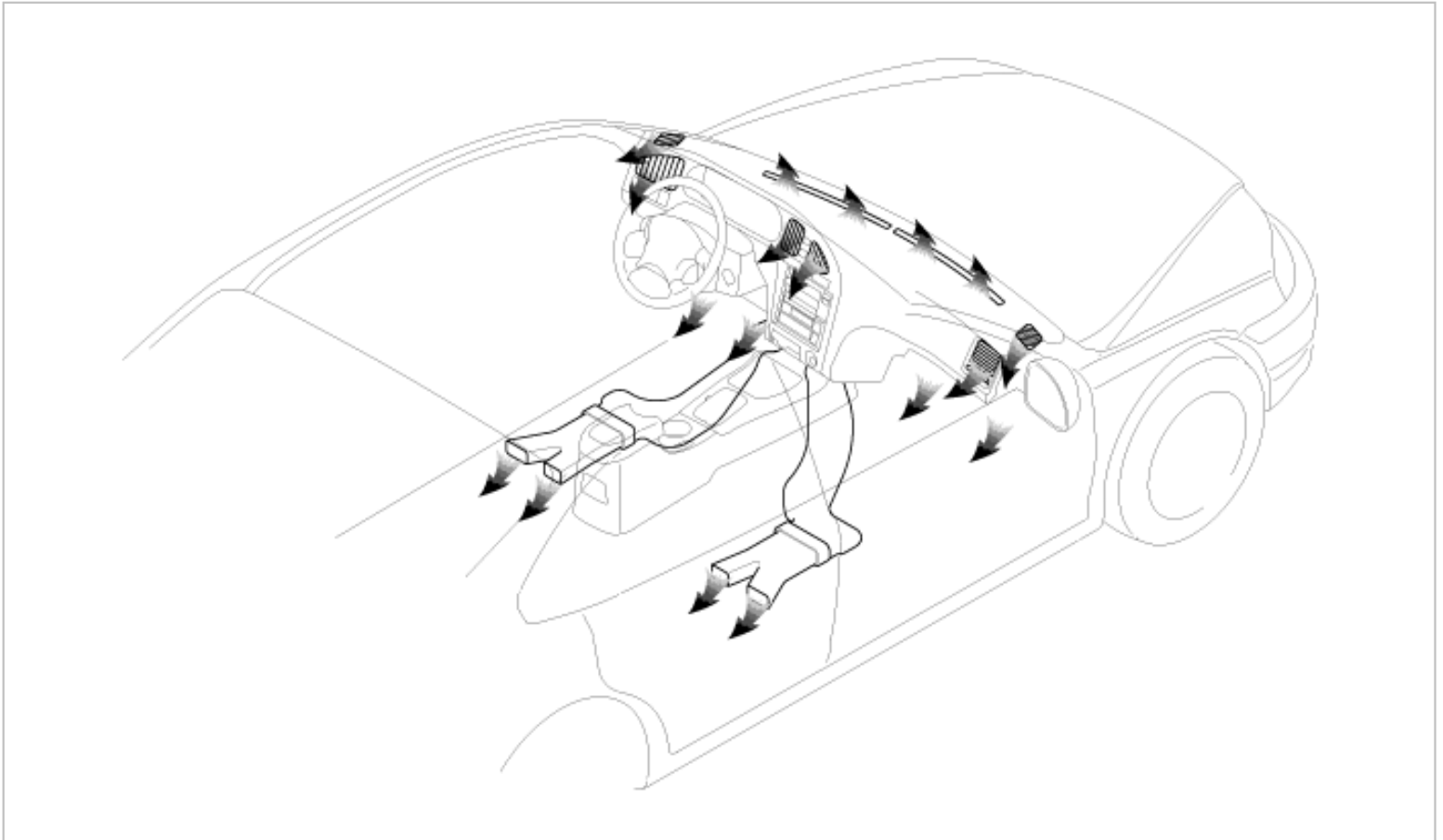


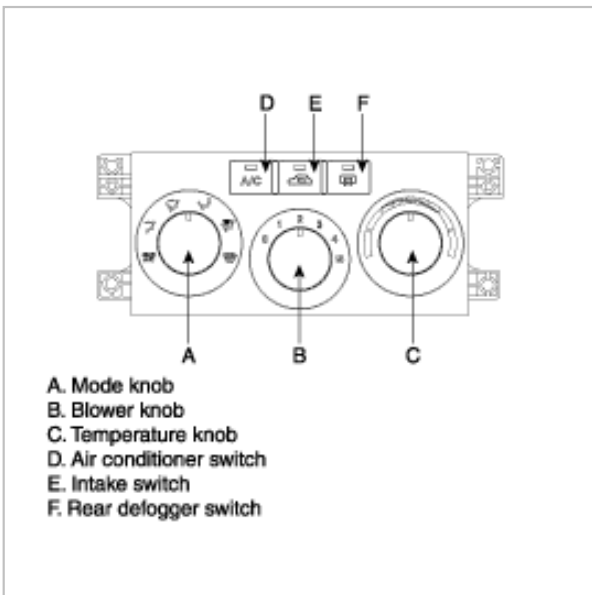
2004 > G 2.0 DOHC > Heating, Ventilation, Air Conditioning



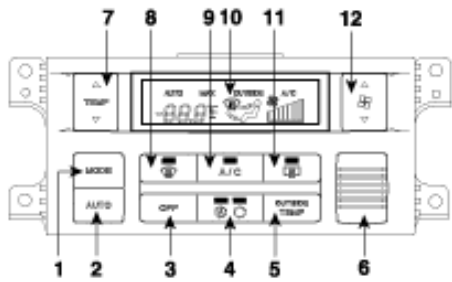
AIR FLOW DESCRIPTION



MANUAL AIR CONDITION CONTROL PANEL

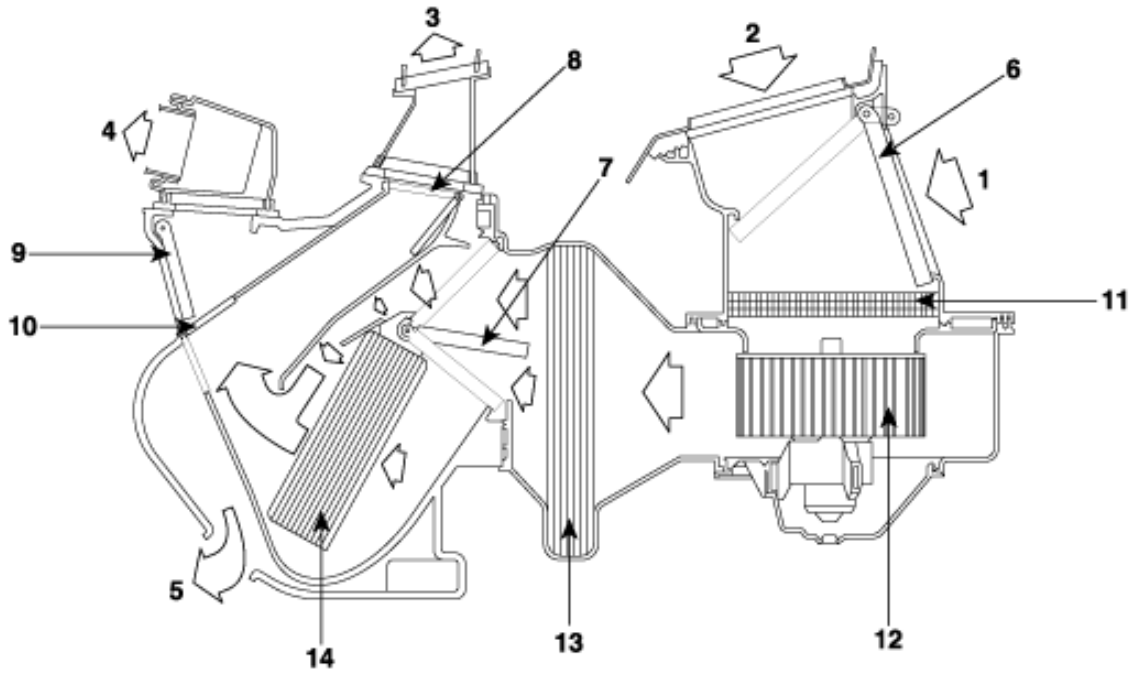


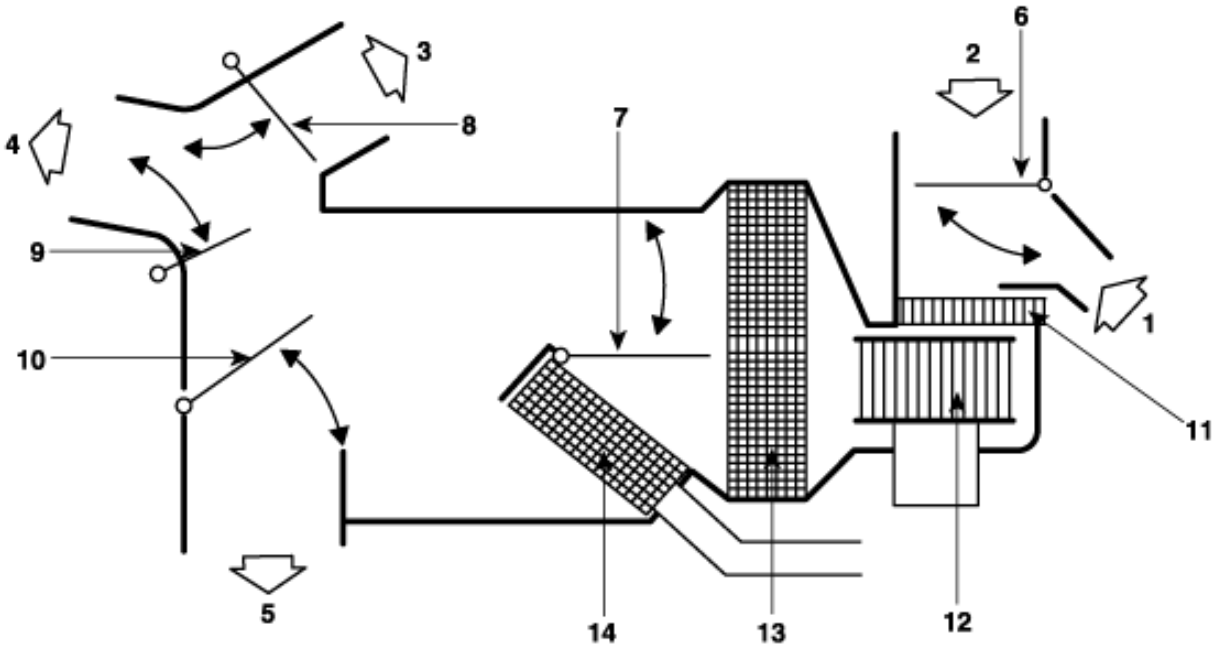
AUTOMATIC AIR CONDITION CONTROL PANEL



- | | |
|-------------------------|---------------------------|
| 1. Mode switch | 7. Temp. switch |
| 2. Auto switch | 8. Defogger switch |
| 3. System off switch | 9. Air conditioner switch |
| 4. A.Q.S. switch | 10. Display |
| 5. Outside temp. switch | 11. Rear defogger switch |
| 6. In-car sensor | 12. Blower switch |

COMPONENT SCHEMATIC

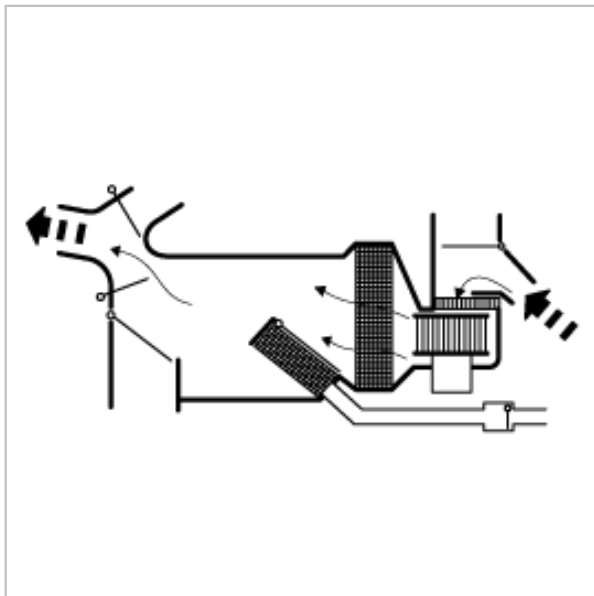




Item	Description	Item	Description
1	Recirculating air port	8	Defrost airflow door
2	Outside air port	9	Panel airflow door
3	Defrost air vent	10	Floor airflow door
4	Panel air vent	11	Air filter
5	Floor air vent	12	Blower unit
6	Air inlet blend door	13	Evaporator core
7	Air temperature control door	14	Heater core

SYSTEM AIR FLOW DESCRIPTION

MAX A/C

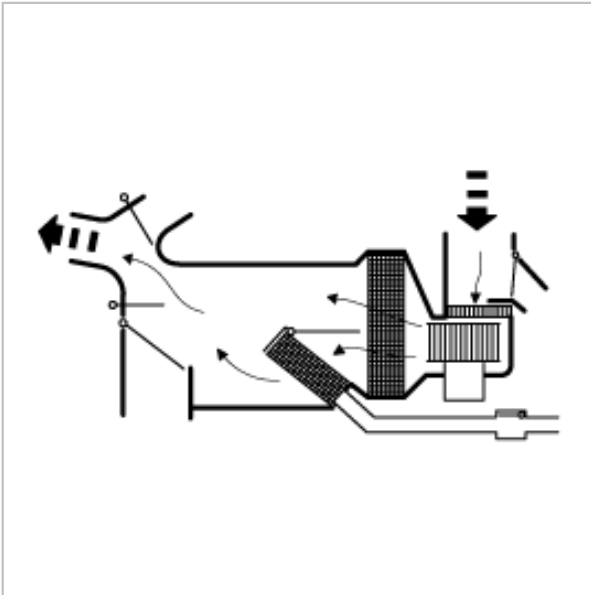


- Air inlet blend door : Recirc
- Air temperature control door : Max. cold
- Defrost airflow door : Close
- Panel airflow door : Open
- Floor airflow door : Close
- A/C compressor : ON
- Blower motor : ON

NOTE

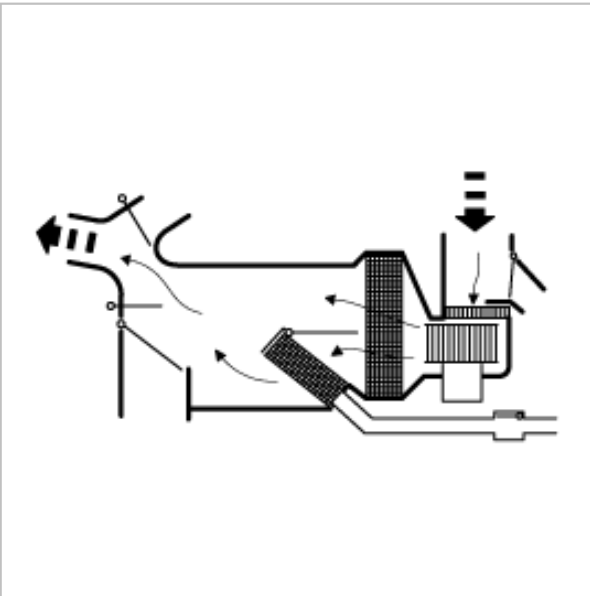
No override allowed to A/C OFF and recirc.
(Manual A/C only)

A/C



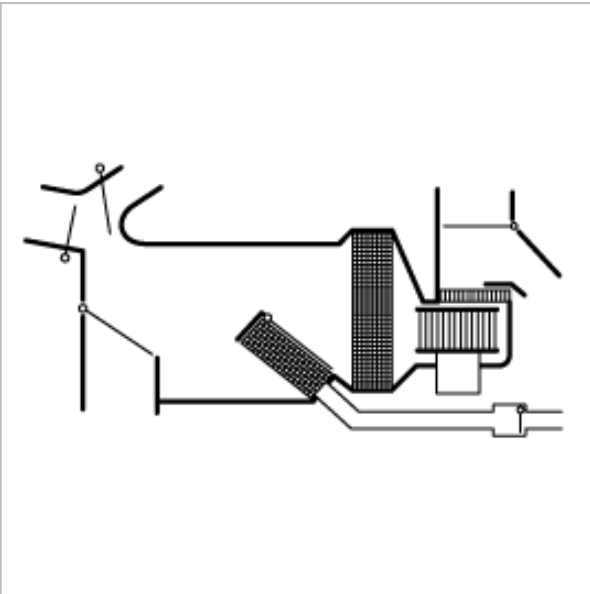
- Air inlet blend door : Fresh
- Air temperature control door : Enable to select
- Defrost airflow door : Enable to select
- Panel airflow door : Enable to select
- Floor airflow door : Enable to select
- A/C compressor : ON
- Blower motor : ON

PANEL



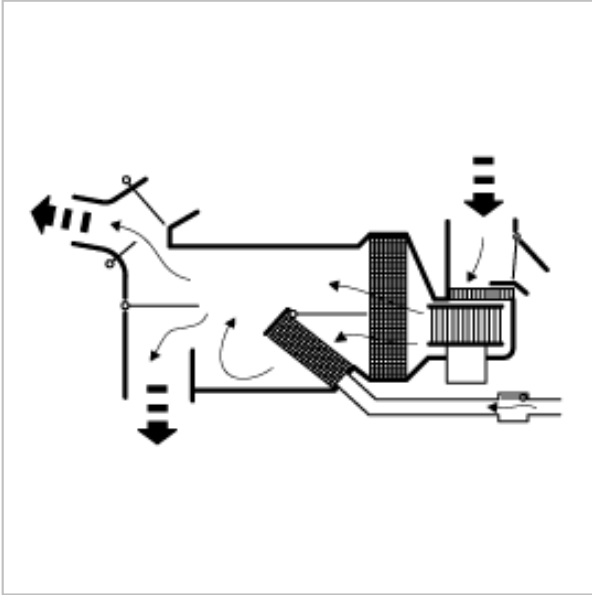
- Air inlet blend door : Fresh
- Air temperature control door : Enable to select
- Defrost airflow door : Close
- Panel airflow door : Open
- Floor airflow door : Close
- A/C compressor : Enable to select
- Blower motor : ON

OFF



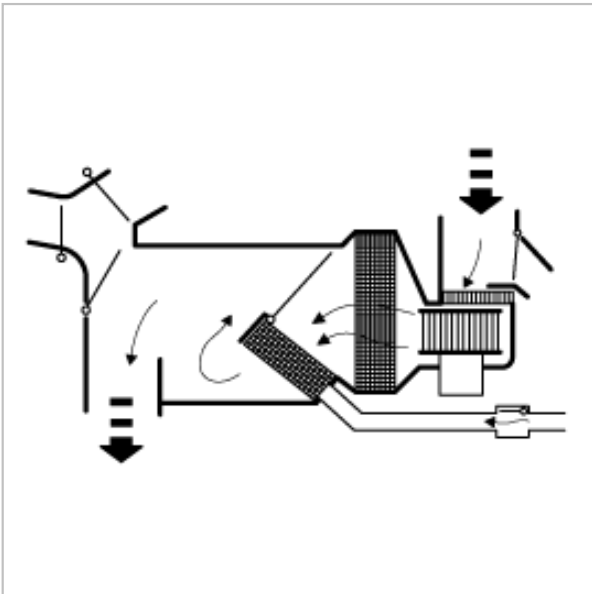
- Air inlet blend door : Recirc
- Air temperature control door : Enable to select
- Defrost airflow door : Open
- Panel airflow door : Close
- Floor airflow door : Close
- A/C compressor : OFF
- Blower motor : OFF

PANEL/FLOOR



- Air inlet blend door : Fresh
- Air temperature control door : Enable to select
- Defrost airflow door : Close
- Panel airflow door : Open
- Floor airflow door : Open
- A/C compressor : Enable to select
- Blower motor : ON

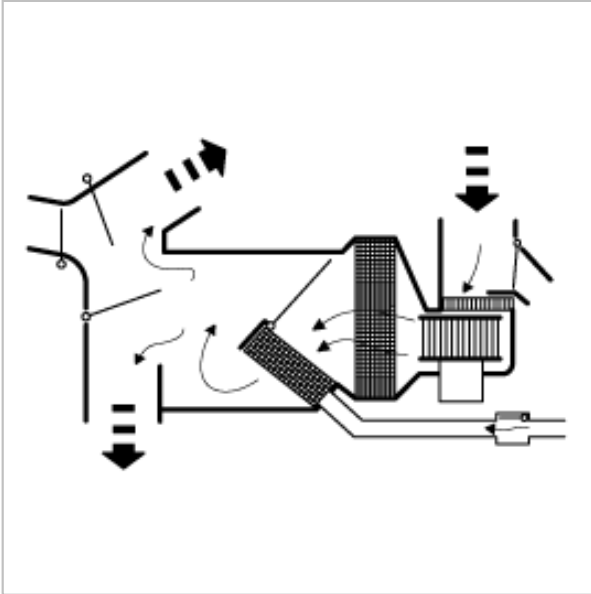
FLOOR



- Air inlet blend door : Fresh
- Air temperature control door : Enable to select
- Defrost airflow door : Close
- Panel airflow door : Close
- Floor airflow door : Open
- A/C compressor : Enable to select

-Blower motor : ON

FLOOR/DEFROST

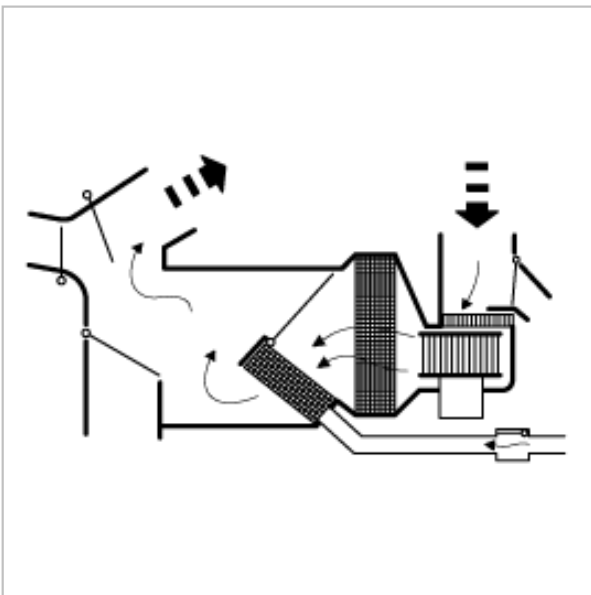


- Air inlet blend door : Fresh
- Air temperature control door : Enable to select
- Defrost airflow door : Open
- Panel airflow door : Close
- Floor airflow door : Open
- A/C compressor : ON
- Blower motor : ON

NOTE

The A/C compressor shall be always ON at FLOOR/DEFROST mode.
but, A/C indicator can be turned ON/OFF.

DEFROST



- Air inlet blend door : Fresh

- Air temperature control door : Enable to select
- Defrost airflow door : Open
- Panel airflow door : Close
- Floor airflow door : Close
- A/C compressor : ON
- Blower motor : ON

NOTE

The A/C compressor shall be always ON at DEFROST mode.
but, A/C indicator can be turned ON/OFF.