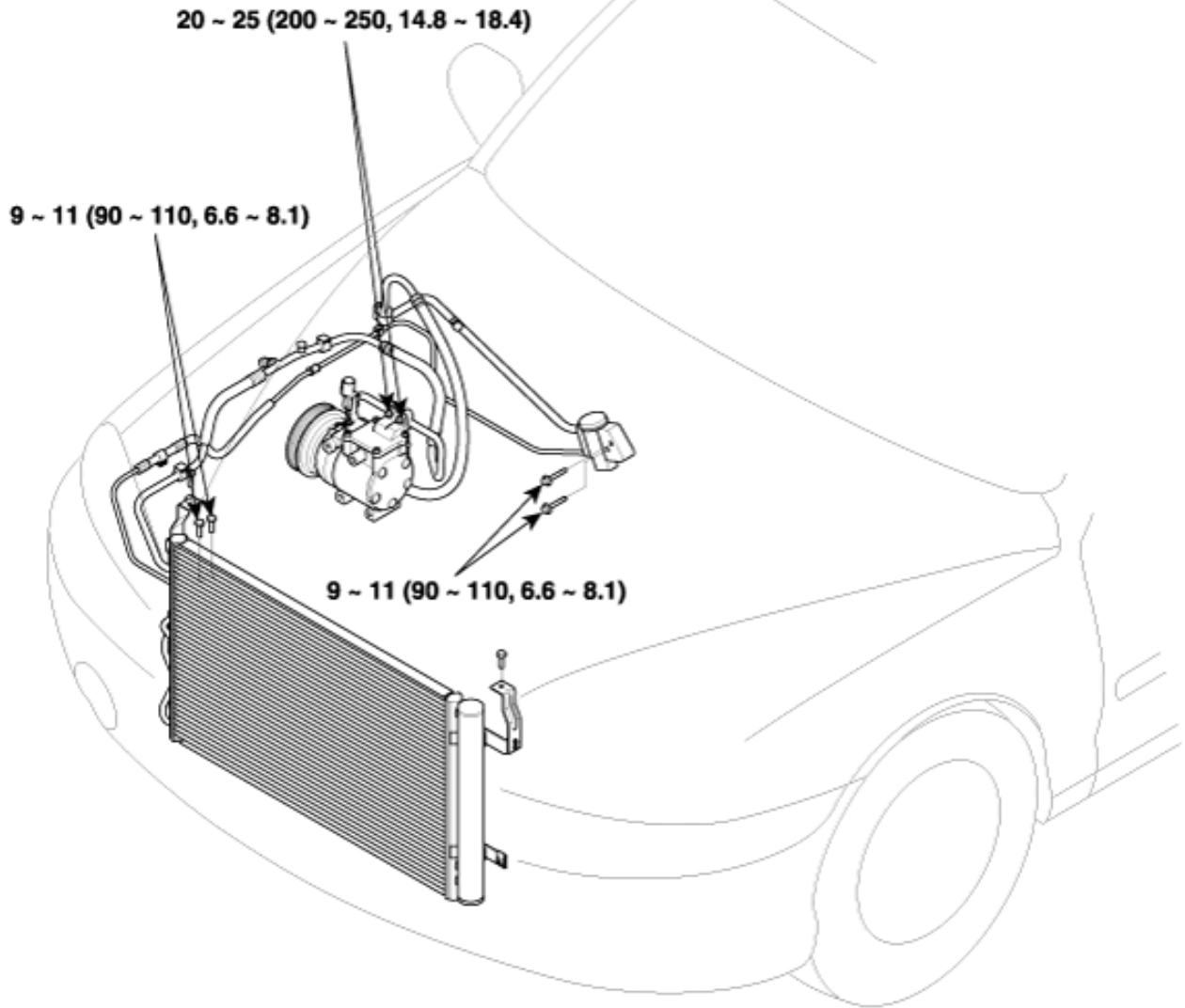




COMPONENT LOCATION



TORQUE : Nm (kgf-cm, lbf-ft)