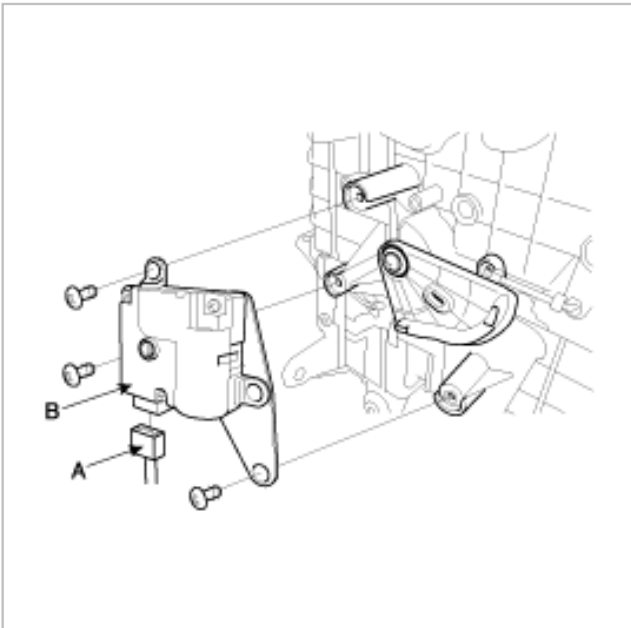




## REPLACEMENT

1. Disconnect the 7P connector (A) from the temp. actuator (B). Remove the self-tapping screws and the temp. actuator from the heater unit.



2. Install in the reverse order of removal. After installation, make sure temp. actuator runs smoothly.